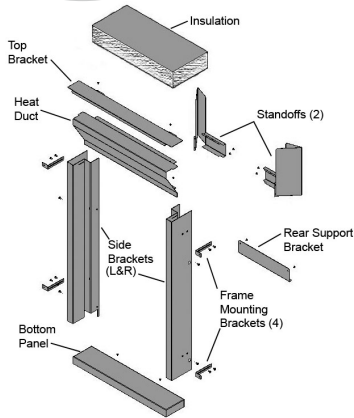




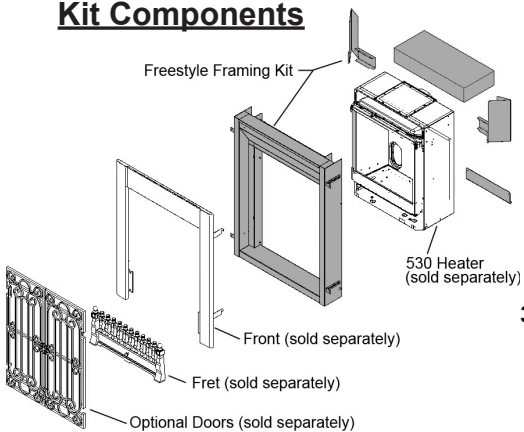
Model SFFK01 Freestyle Framing Kit For use with 530 Model Heater

May 06

- The SFFK01 Freestyle Framing Kit is required when installing the StoneFire series cast iron front or doors to a 530 model heater without a StoneFire mantel (refer to separate SFMK01 instructions if using the stone mantel).
- The Framing Kit, with heater attached, installs directly to studs at framing stage with combustible wall finish applied afterwards. The framing kit may be installed having between 1/2" and 2-1/2" projecting forward of the studs depending on desired wall finish. Note—Bottom Panel will need to project further than sides to support the Cast Fret when Alhambra doors are used.
- Combustible wall finish may be installed around the perimeter of the framing kit as shown but must not project forward of the front face of the framing kit.
- The framing height shown includes the 1-1/2" high bottom base panel. The framing height must be raised accordingly if you want the flooring material to run beneath this base panel.
- The heater and framing kit are approved to mount directly on hard surface combustible flooring with no requirement for a non-combustible hearth in front.

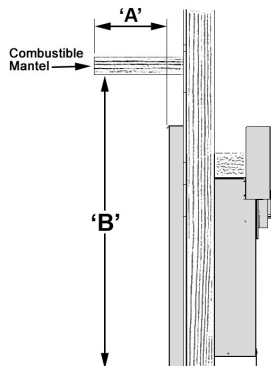


Kit Components

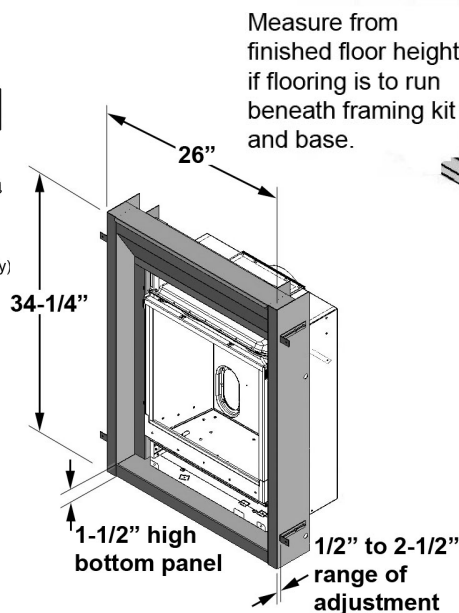


General Concept

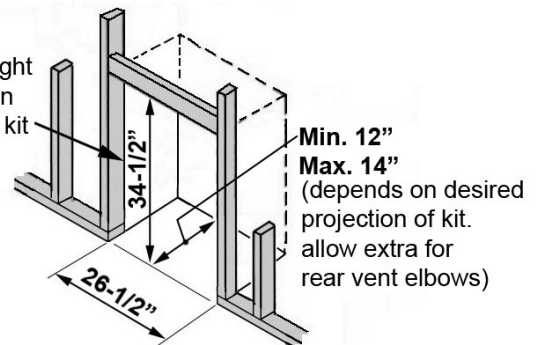
Mantel Depth 'A'	2"	4"	6"	8"	12"
Mantel Height 'B'	34"	36"	38"	40"	42"



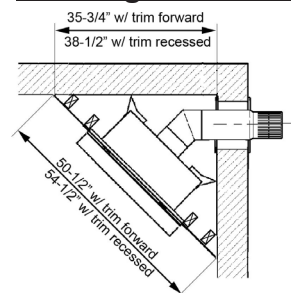
Combustible Mantel Clearances



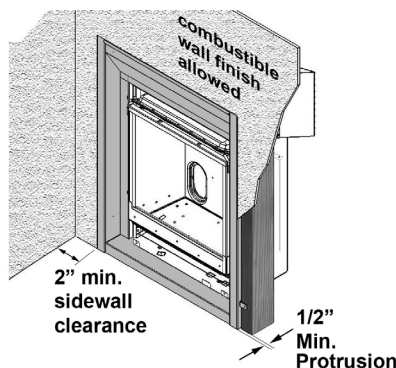
Framing Kit Dimensions



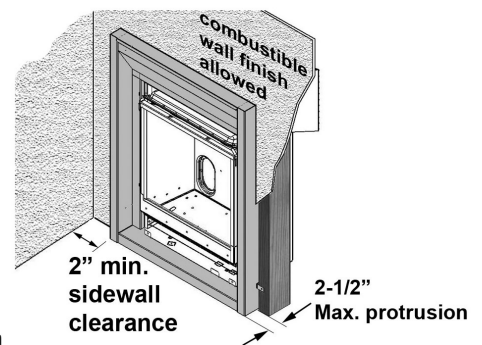
Framing Dimensions



Corner Dimension



Framing kit installed Flush



Framing Kit Protruding