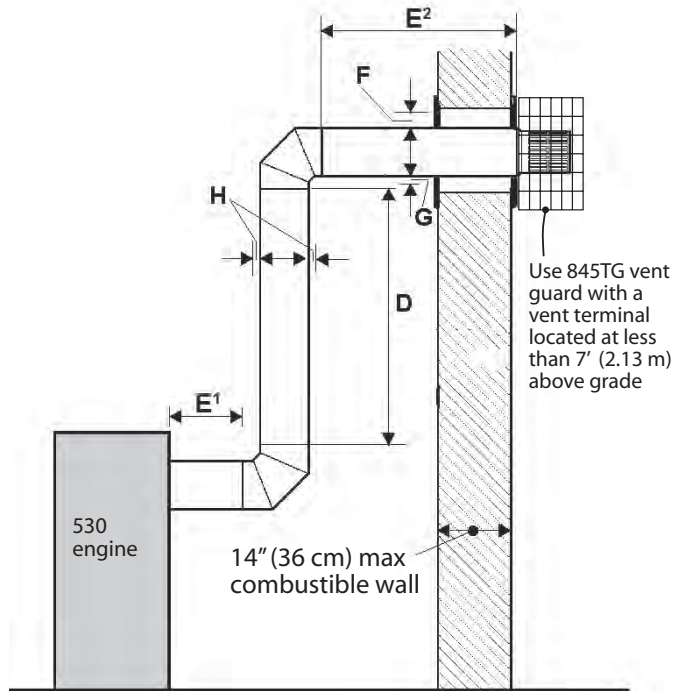


See venting accessories list on pages 40–41 for allowable components.

**Rear Outlet w/Vertical Rise—Horizontal Termination**

- 817VAK Vent Collar Adapter required;
- Maximum 2 x 90° elbows allowed (or equivalent: 2 x 45° elbows = 1 x 90° elbow);
- A Terminal Guard such as 845TG is required where the vent terminal is located within 7’0” of grade or where accessible.

	Minimum	Maximum
<b>D:</b> Vertical pipe run	12” (30 cm)	8’ (244 cm)
<b>E:</b> Horizontal pipe run (Total before and after elbows) E <sup>1</sup> + E <sup>2</sup>	-	4’-6” (137 cm)
<b>F:</b> Clearance to combustible materials above horizontal pipe run	2-5/8” (6.7 cm)	-
<b>G:</b> Clearance to combustible materials below horizontal pipe run	1-5/16” (3.3 cm)	-
<b>H:</b> Clearance to combustible materials all round vertical pipe run and at sides of horizontal pipe run	1-5/16” (3.3 cm)	-

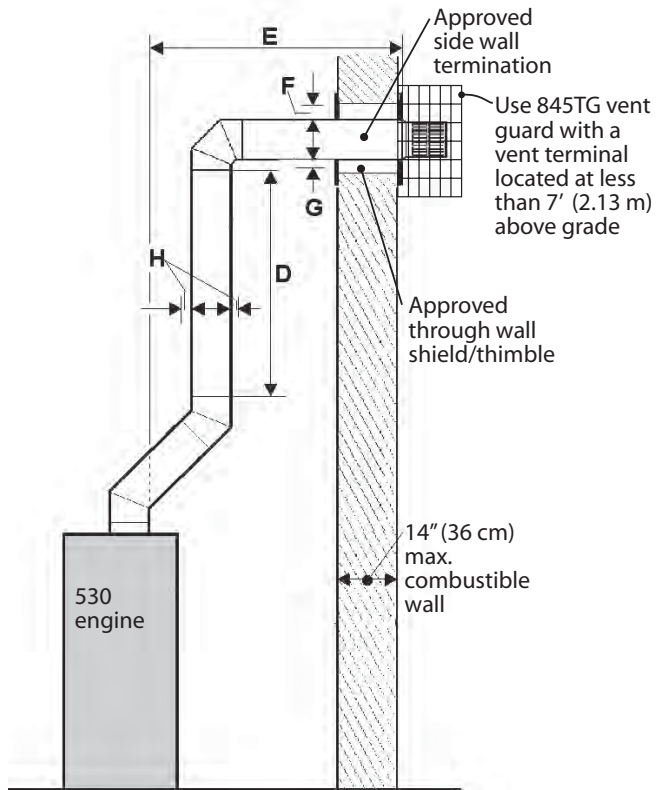


**Top Outlet w/Vertical Rise—Horizontal Termination**

See *Conversion to Top Outlet for Solid Direct Vent Co-axial Piping in Appliance Preparation* section for conversion to top outlet;

- 817VAK Vent Collar Adapter required;
- Maximum 2 x 90° elbows allowed (or equivalent: 2 x 45° elbows = 1 x 90° elbow);
- A Terminal Guard such as 845TG is required where the vent terminal is located within 7’0” of grade or where accessible.

	Minimum	Maximum
<b>D:</b> Vertical pipe run (total)	9” (23 cm)	8’ (244 cm)
<b>E:</b> Horizontal pipe run (Total)	-	4’-6” (137 cm)
<b>F:</b> Clearance to combustible materials above horizontal pipe run	2-5/8” (6.7 cm)	-
<b>G:</b> Clearance to combustible materials below horizontal pipe run	1-5/16” (3.3 cm)	-
<b>H:</b> Clearance to combustible materials all round vertical pipe run and at sides of horizontal pipe run	1-5/16” (3.3 cm)	-

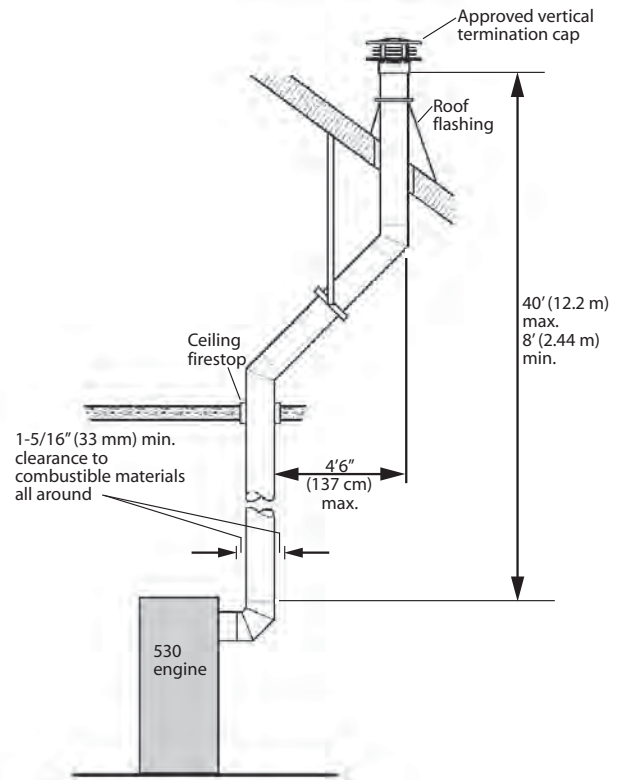


# Vertical Termination Venting Configurations

See venting accessories list on pages 40–41 for allowable components.

## Rear Outlet through Roof (Co-axial Pipe)

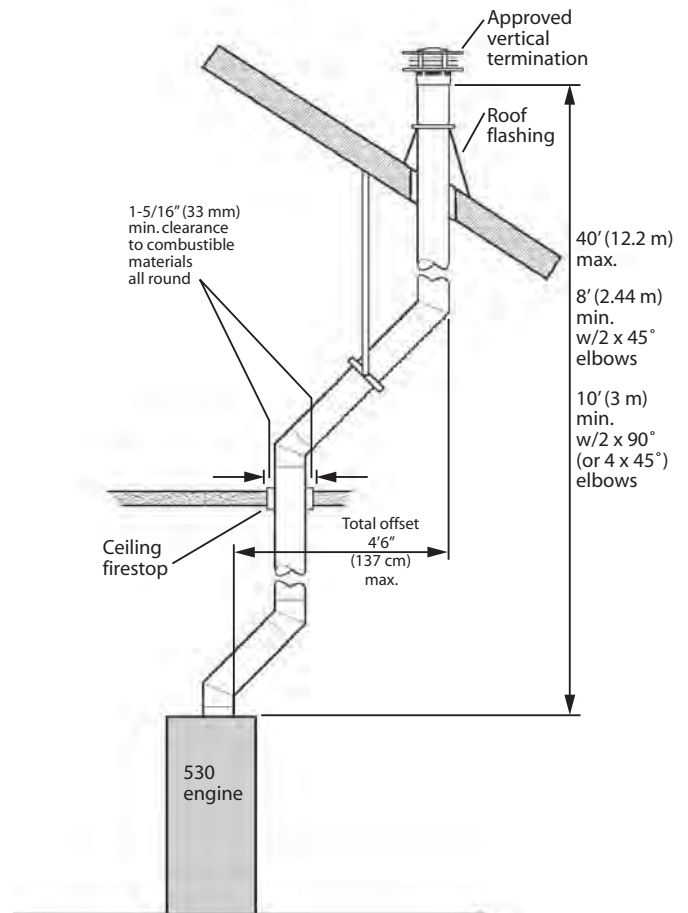
- 817VAK Vent Collar Adapter required;
- Maximum two 45° elbows allowed for offsetting;
- Various other ceiling or roof items may be necessary depending on the particular installation.



## Top Outlet through Roof (Co-axial Pipe)

See *Conversion to Top Outlet for Solid Direct Vent Co-axial Piping* in *Appliance Preparation* section for conversion to top outlet.

- 817VAK Vent Collar Adapter required;
- Maximum offset 4'6";
- Maximum two 90° elbows allowed for offsetting (or equivalent: two 45° elbows = one 90° elbow);
- Various other ceiling or roof items may be necessary depending on the particular installation.



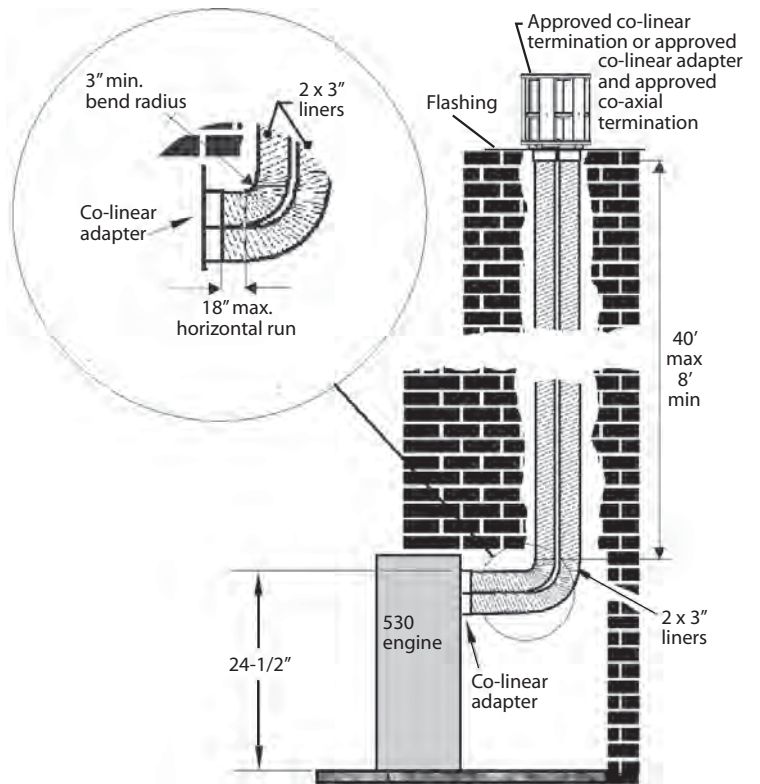
# Vertical Termination Venting Configurations

See venting accessories list on pages 40–41 for allowable components.

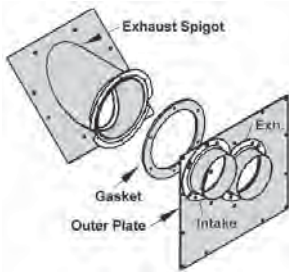
## Co-linear Venting into Existing Solid-Fuel Burning Fireplaces and Chimneys

Co-linear adapter may be installed as top or rear outlet—see *Conversion to Top Outlet for Solid Direct Vent Co-axial Piping* in *Appliance Preparation* section for conversion to top outlet.

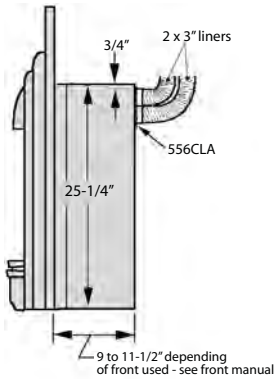
- Co-linear and co-axial venting may be combined in a single venting system provided conversion is done only once using approved components and maintaining proper clearances;
- Three-inch liners may only be installed into solid-fuel burning fireplaces and chimney systems (no combustible construction);
- The appliance must not be connected to a chimney flue serving a separate solid-fuel burning appliance.



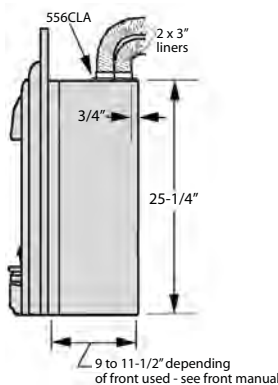
**Co-Linear installation into existing F/P**



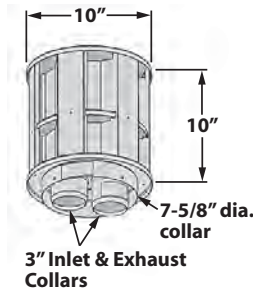
**556CLA Kit**



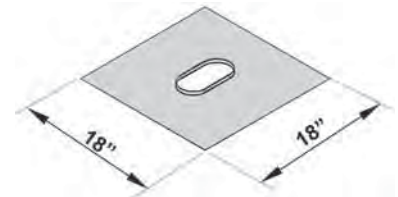
**556CLA  
Rear Mounted**



**556CLA  
Top Mounted**

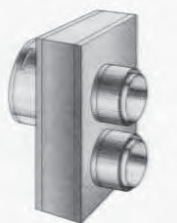


**559CLT Co-Linear Terminal**

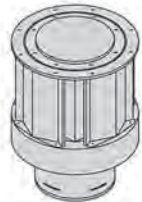


**559FSK Flashing Kit**

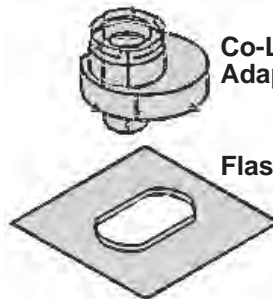
### Alternate to 556CLA/559CLT/559FSK Conversion



**Co-Axial to Co-Linear  
Adapter**



**Terminal Cap**



**Co-Linear to Co-Axial  
Adapter**

**Flashing**