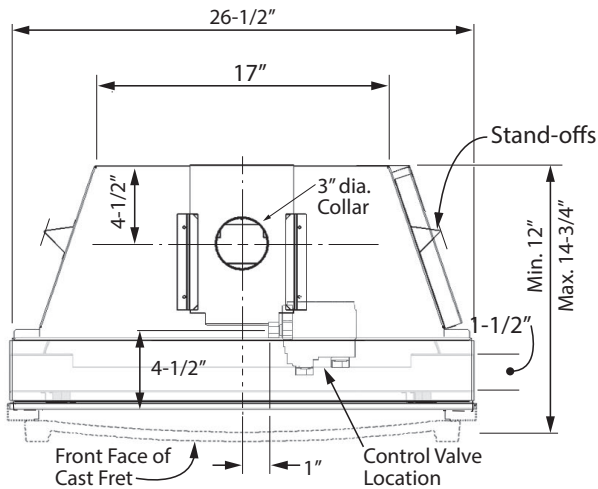


Valor[®] Retrofire BV

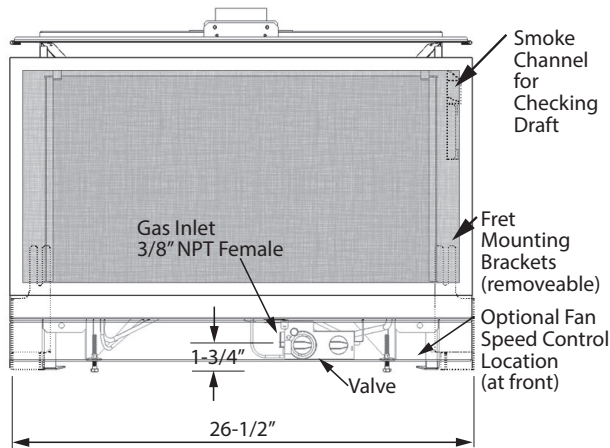
Jan 2021

1/3

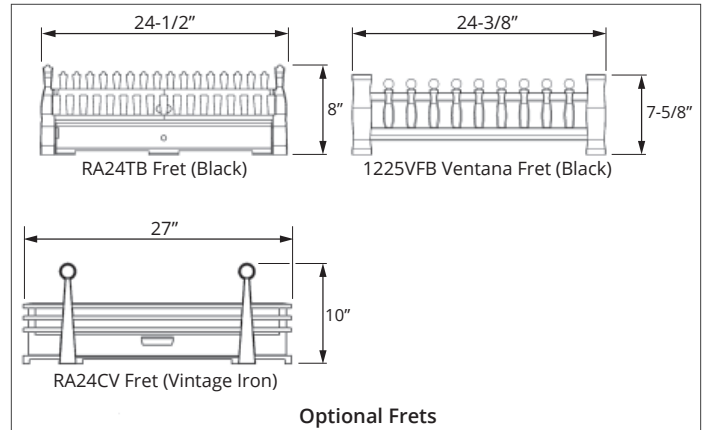
Dimensions, Clearances and Venting



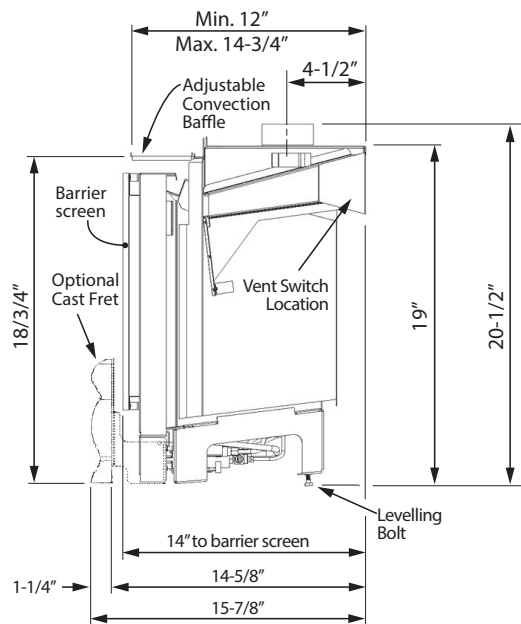
Top View



Front View



Optional Frets



Side View

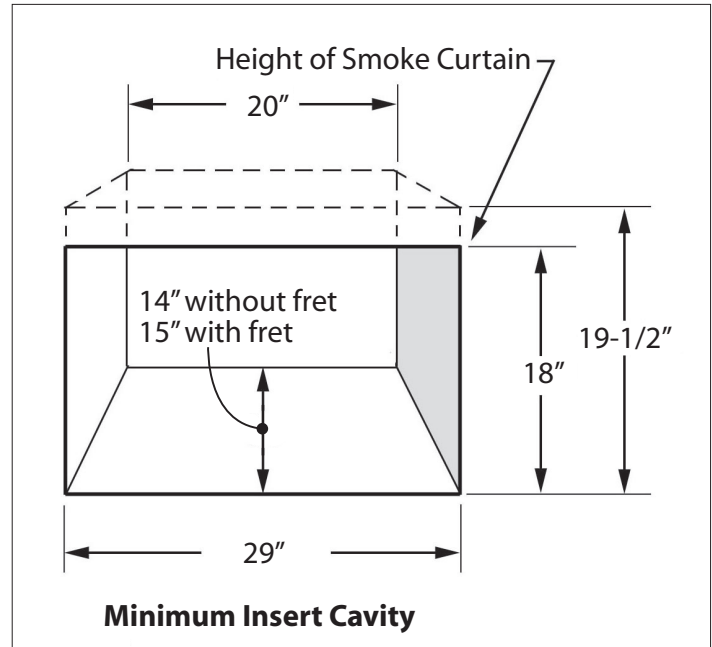
Dimensions, Clearances and Venting

Minimum Cavity Dimensions

For Solid-Fuel Burning Fireplace Insert

(See separate framing dimensions for Zero Clearance applications in the Zero Clearance Kit RA24ZC.)

The diagram shows minimum dimensions required to install the RF24. Installations in cavities having a combination of **all** the minimum dimensions shown, although possible, may prove to be difficult.



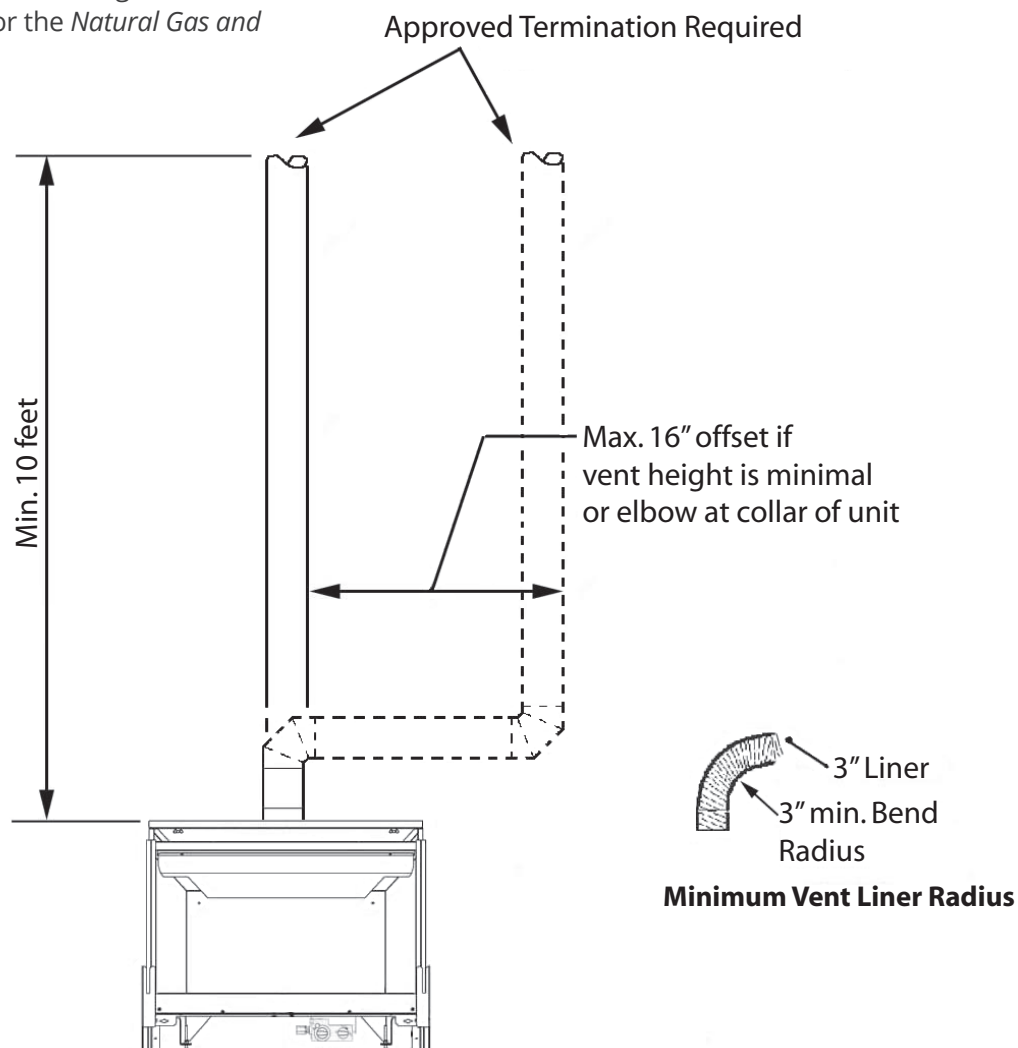
Dimensions, Clearances and Venting

Vent Materials

Use a 3" diameter aluminium flex liner approved for gas venting when installing as an insert (existing chimneys).

Use a 4" diameter type "B" vent when installing with a RA24ZC Zero Clearance Kit. See separate instructions packaged with the Zero Clearance Kit.

The minimum vent lengths are shown below. For other allowable configurations, refer to the venting tables in the *National Fuel Gas Code Z223.1* or the *Natural Gas and Propane Installation Code B149.1*.



Allowable Vent Configurations