

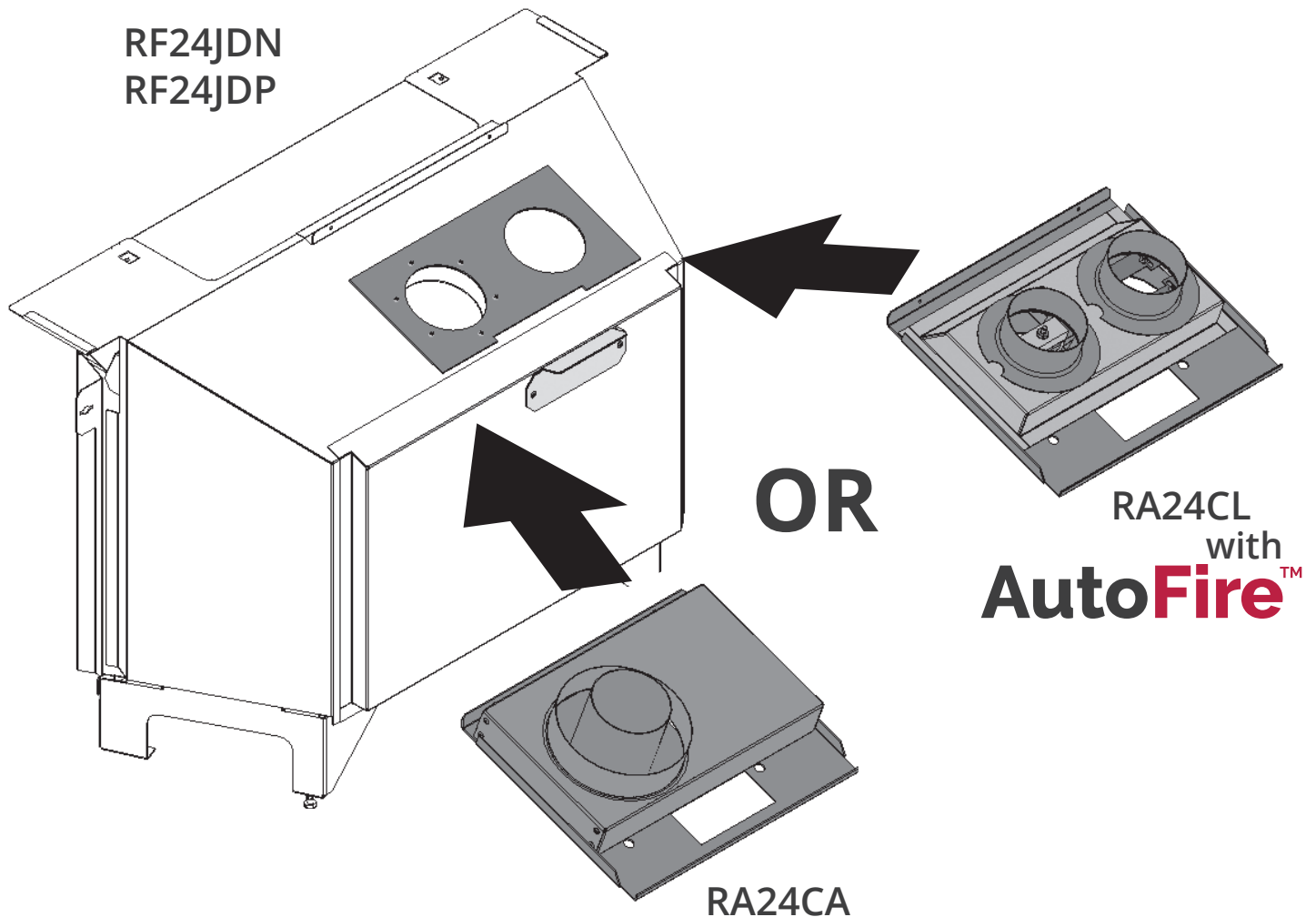
valor[®] Retrofire DV

Jan 2021

1/4

Venting Options

This appliance is shipped without a vent plate. A vent plate is required for every installation. Either RA24CL—Co-linear vent plate (3" x 3") or RA24CA—Co-axial vent plate (5" x 3").



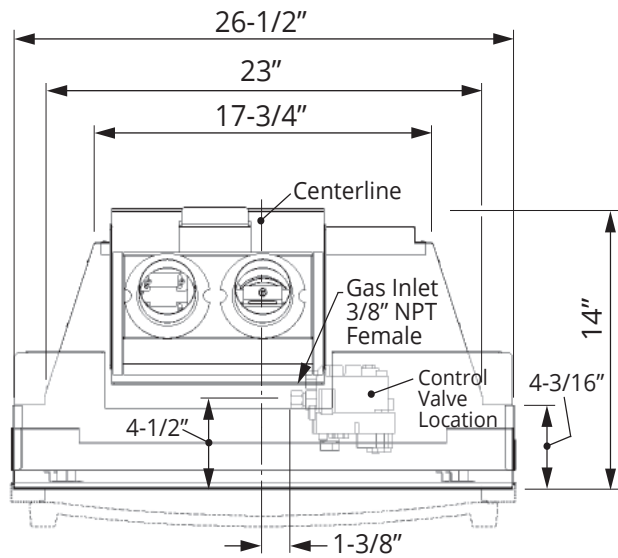


Retrofire DV

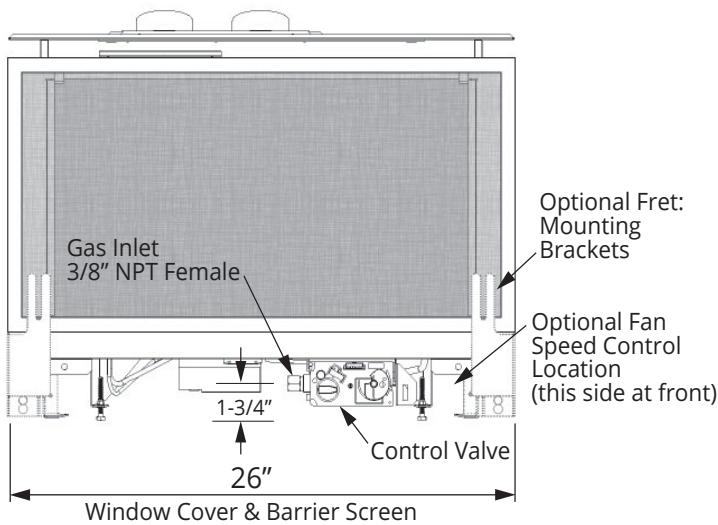
Jan 2021

2/4

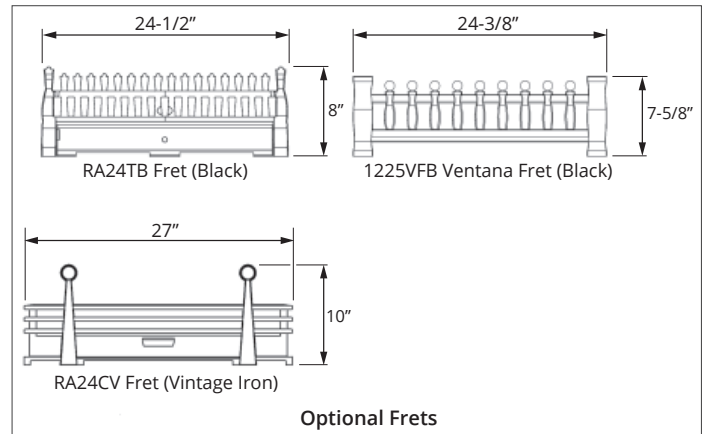
Dimensions with RA24CL—Co-Linear Vent Plate



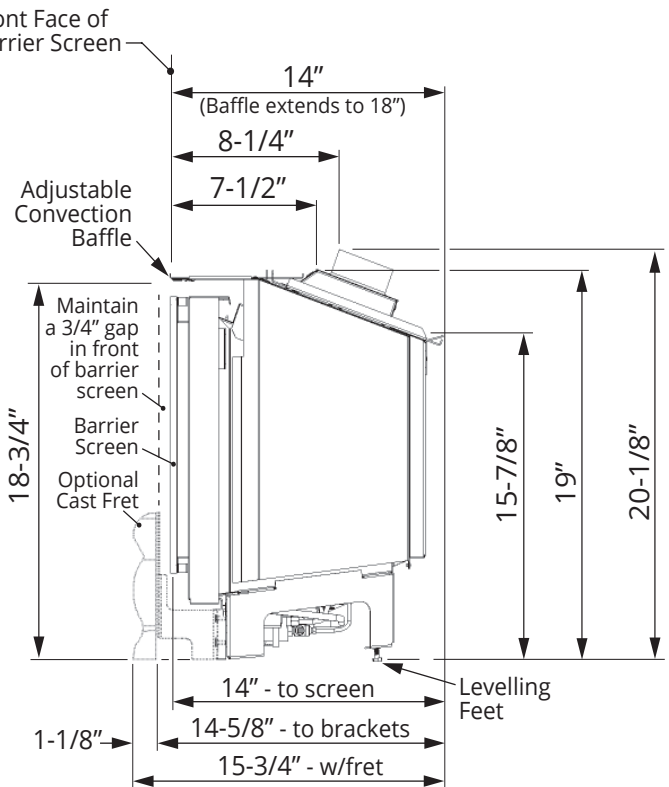
Top View



Front View



Optional Frets



Side View

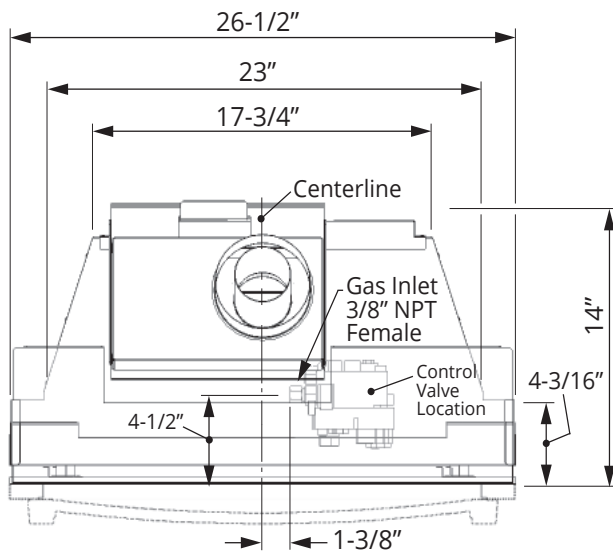


Retrofire DV

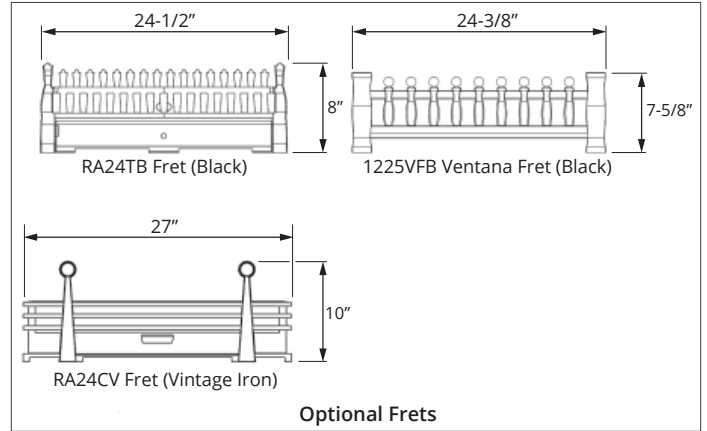
Jan 2021

3/4

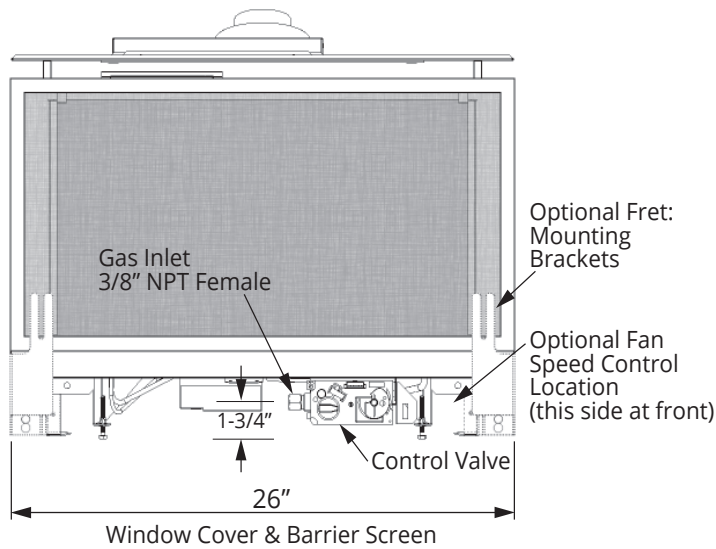
Dimensions with RA24CA—Co-Axial Vent Plate



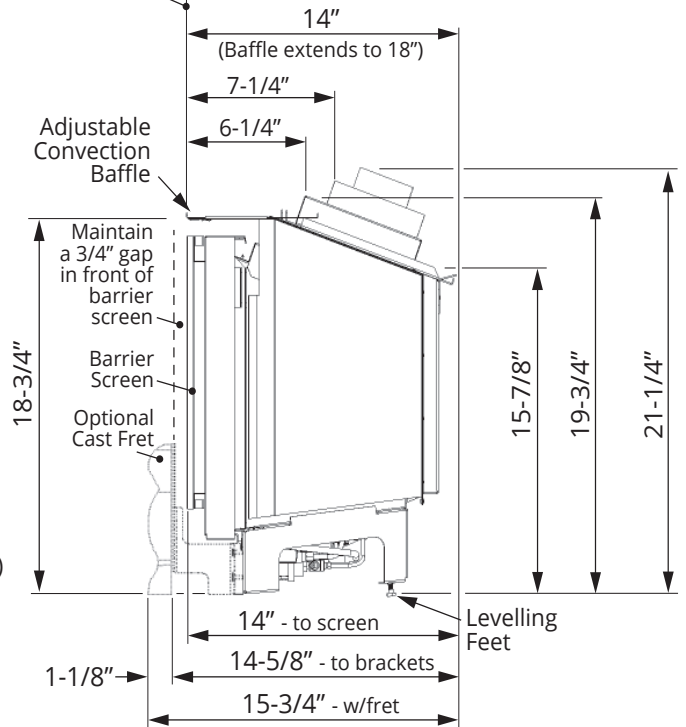
Top View



Optional Frets



Front View



Side View



Retrofire DV

Jan 2021

4/4

Cavity Dimensions—Co-Linear or Co-Axial Flex

Minimum Cavity Dimensions

The diagram shows minimum dimensions required to install the RF24. Cavities having a combination of all the minimum dimensions shown possible, may prove to be difficult installations.

Important: A free space of 3/4 inch (19 mm) is required in front of the barrier screen to allow the window to move and relieve during a hard start. The use of the optional fret sets this space with the fret bracket installed.

However, when the fret is not used and the bottom cover is used instead, this space immediately in front of the barrier screen must be added to the minimum depth as a safety precaution. ***It is very important to ensure that the area immediately in front of the barrier screen is kept clear at all times even when not using a fret.***

