



# Retrofire DV

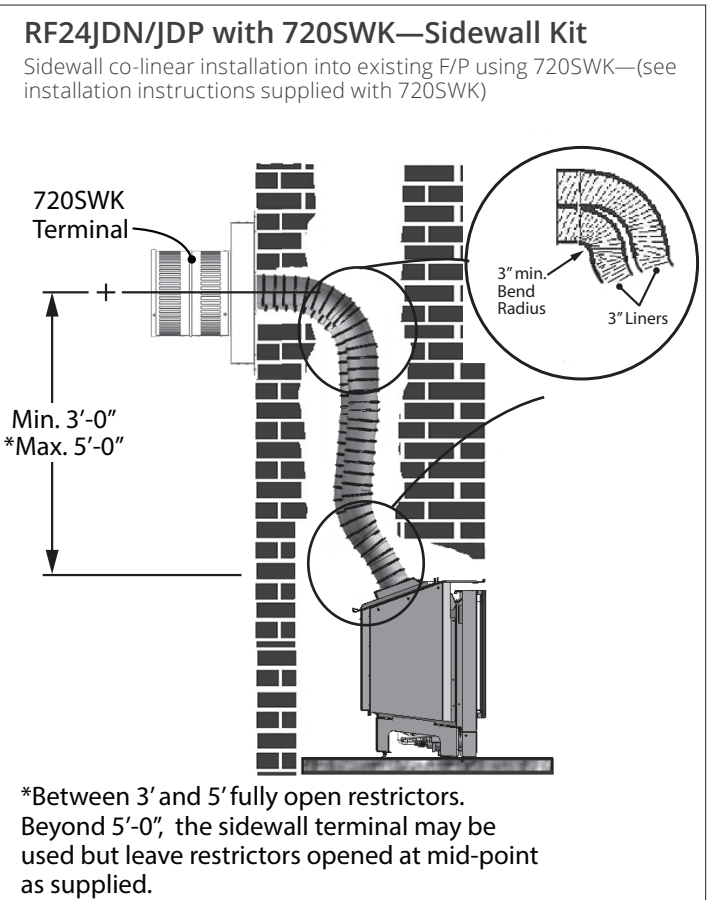
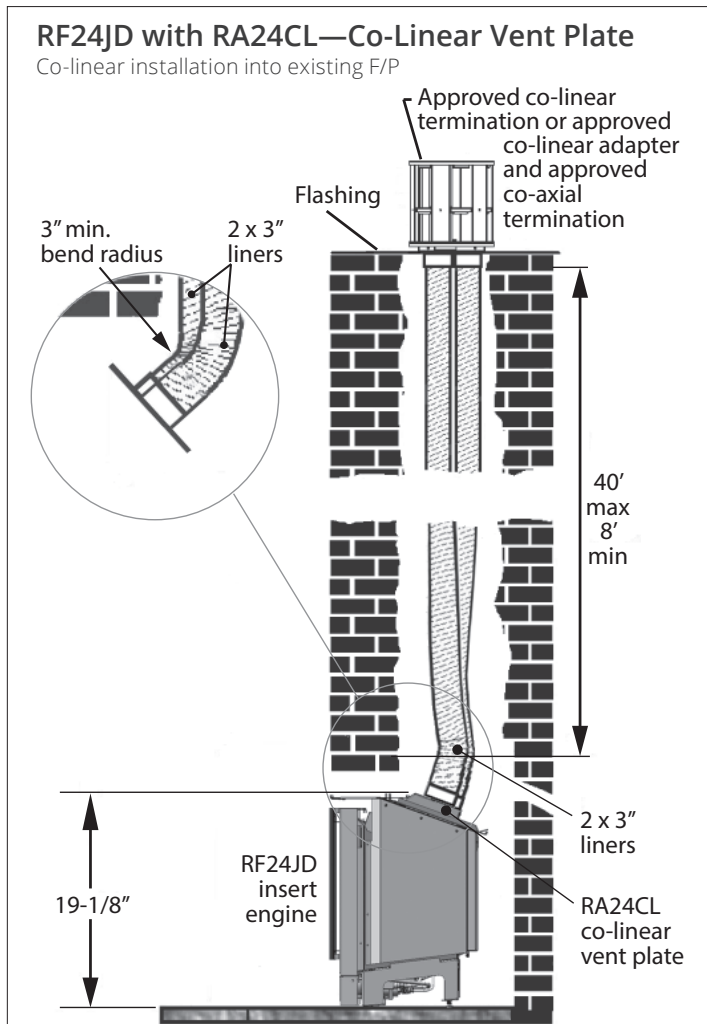
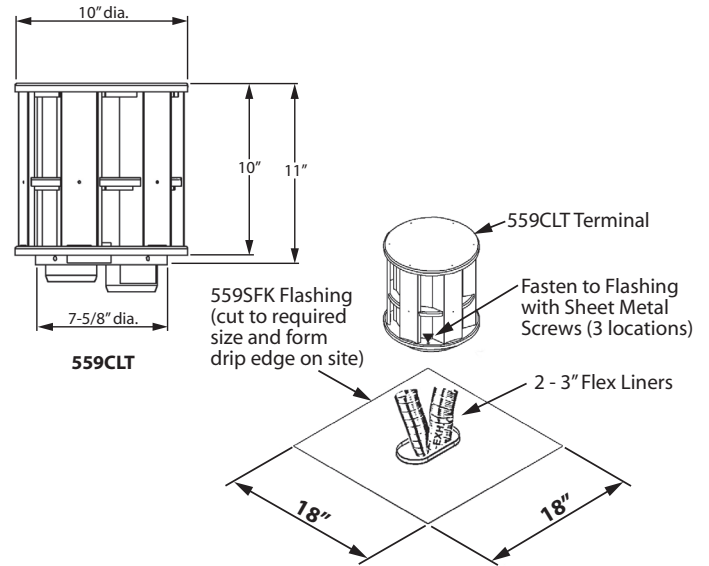
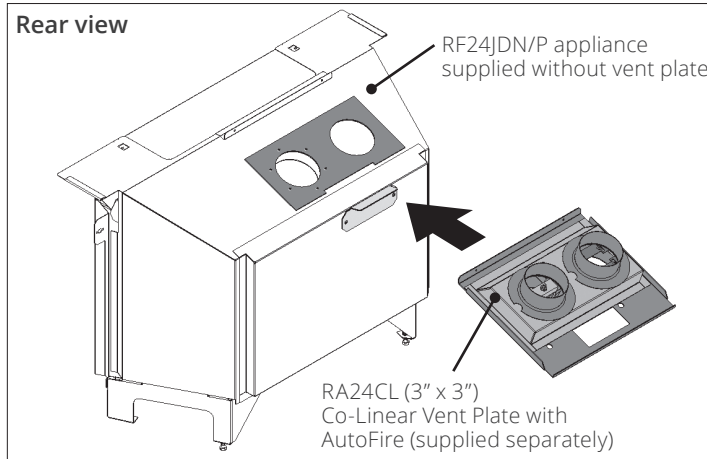
Jan 2021

1/2

## Co-Linear venting w/RA24CL

### AutoFire™

### Co-Linear Vent Plate RA24CL





# Retrofire DV

Jan 2021

2/2

## Co-Linear venting w/RA24CL

AutoFire™

This appliance may ONLY be installed in an existing unaltered, functioning solid-fuel burning fireplace with a working flue and constructed of non-combustible material.

DO NOT install into combustible construction. This appliance is NOT AVAILABLE with a zero clearance kit. For installation into combustible construction, use RF24 B-Vent version with optional RA24ZC kit.

### Vent Location

The vent terminal must be located through the roof. This direct vent appliance is designed to operate when an undisturbed airflow hits the outside vent terminal from any direction.

Check local codes for allowable vertical vent termination.

### Venting Table

Maximum vertical height	40 ft (measured to bottom of termination)
Minimum vertical height	8 ft (measured to bottom of termination)
Maximum horizontal run	4 ft (measured center to center of pipe)
Maximum offset angle	45° (sweeping bend to allow for obstructions)

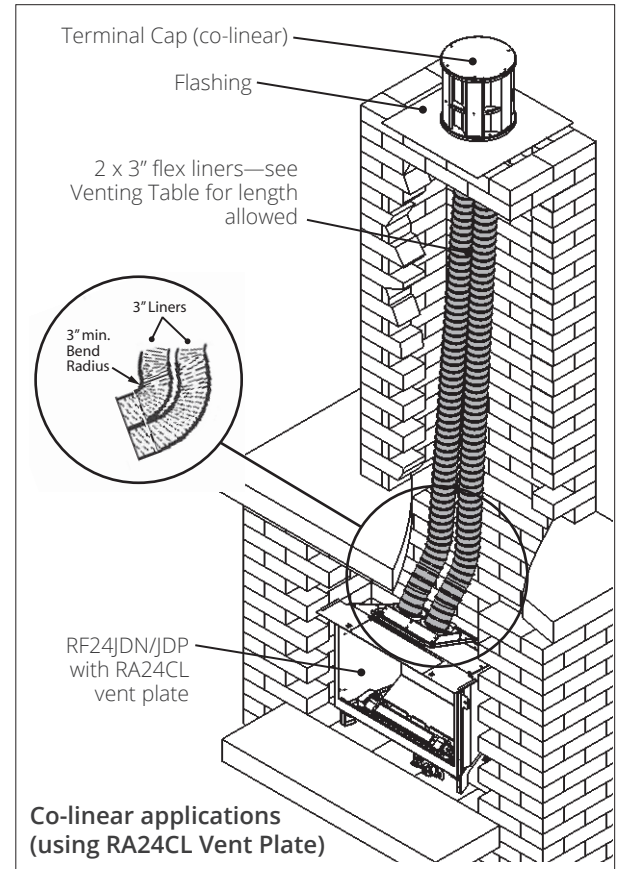
### Venting Notes

Where possible, avoid splicing flex pipes.

If splices are required, use a approved connector and seal joints with *RTV high temp sealant*.

Four feet horizontal is permissible to allow for routing around masonry projections. Do not bend flex pipe over a 45 degrees radius.

1. Co-linear venting may be converted to solid 4" x 6-5/8" co-axial venting at the top of the existing solid-fuel burning chimney as necessary where the existing chimney has deteriorated and been removed. The conversion must be done using



approved components (see *Approved Venting Components* in fireplace's Installation Manual) and proper vent clearances to combustibles must be maintained.

2. Flex liners may only be installed into solid-fuel burning fireplaces and chimney systems (no combustible construction).
3. The appliance must not be connected to a chimney flue serving a separate solid-fuel burning appliance.

### Note

This appliance may also be vented using the optional 720SWK—Co-linear sidewall kit. See previous page and instructions packed with the kit.