

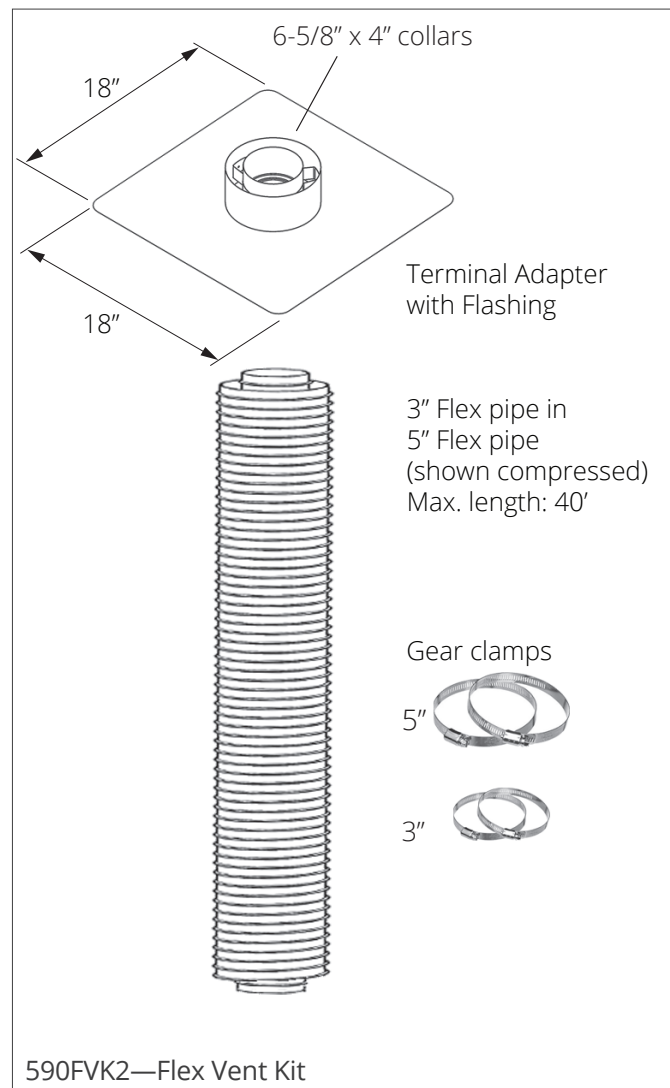
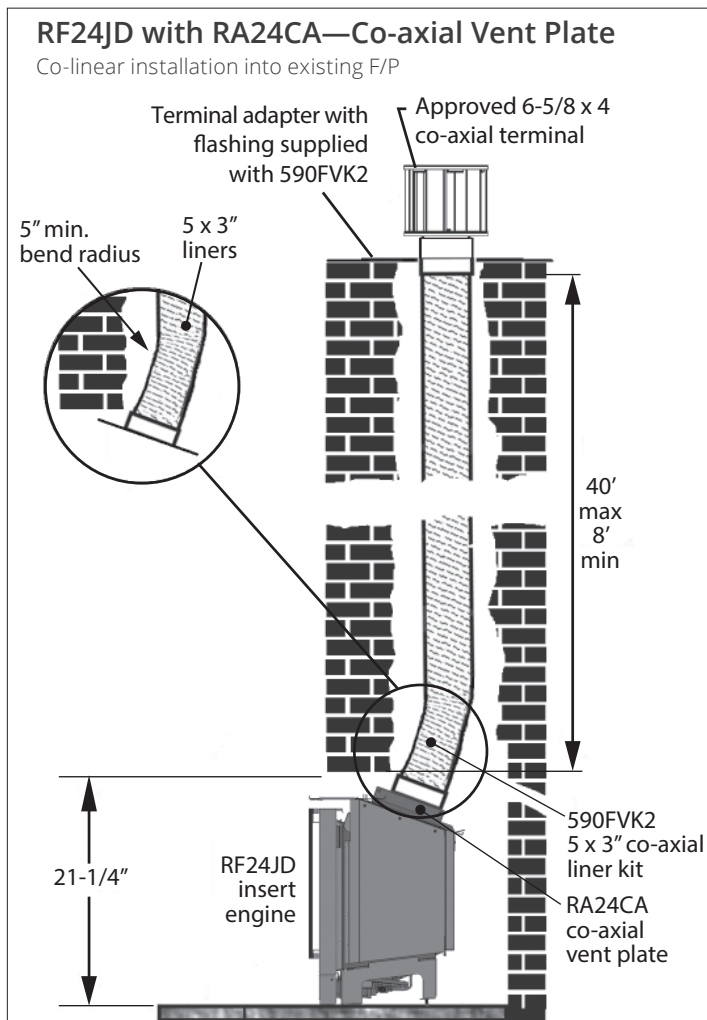
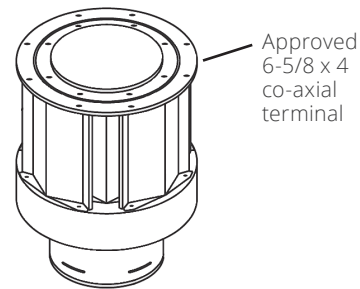
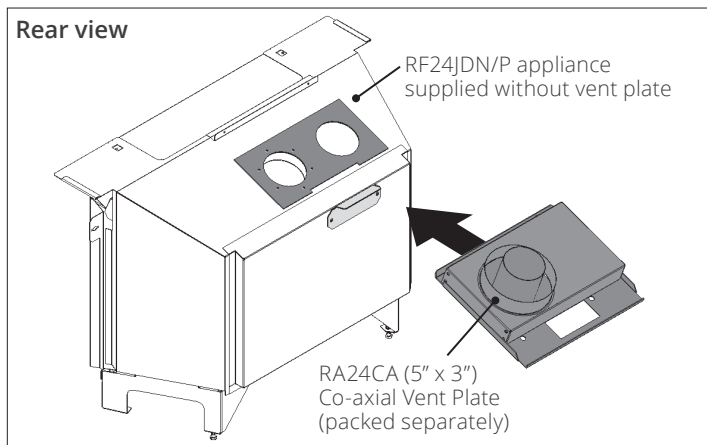
Valor® Retrofire DV

Jan 2021

1/2

Co-Axial Flex venting w/RA24CA

Installation with RA24CA—Co-axial Vent Plate



valor[®] Retrofire DV

Jan 2021

2/2

Co-Axial Flex venting w/RA24CA

This appliance may **ONLY** be installed in an existing unaltered, functioning solid-fuel burning fireplace with a working flue and constructed of non-combustible material.

DO NOT install into combustible construction. This appliance is **NOT AVAILABLE** with a zero clearance kit. For installation into combustible construction, use RF24 B-Vent version with optional RA24ZC kit.

Vent Location

The vent terminal must be located through the roof. This direct vent appliance is designed to operate when an undisturbed airflow hits the outside vent terminal from any direction.

Check local codes for allowable vertical vent termination.

Venting Table

Maximum vertical height	40 ft (measured to bottom of termination)
Minimum vertical height	8 ft (measured to bottom of termination)
Maximum horizontal run	4 ft (measured center to center of pipe)
Maximum offset angle	45° (sweeping bend to allow for obstructions)

Venting Notes

Where possible, avoid splicing flex pipes.

Four feet horizontal is permissible to allow for routing around masonry projections. Do not bend flex pipe over a 45 degrees radius.

1. Flex liners may only be installed into solid-fuel burning fireplaces and chimney systems (no combustible construction).
2. The appliance must not be connected to a chimney flue serving a separate solid-fuel burning appliance.

