

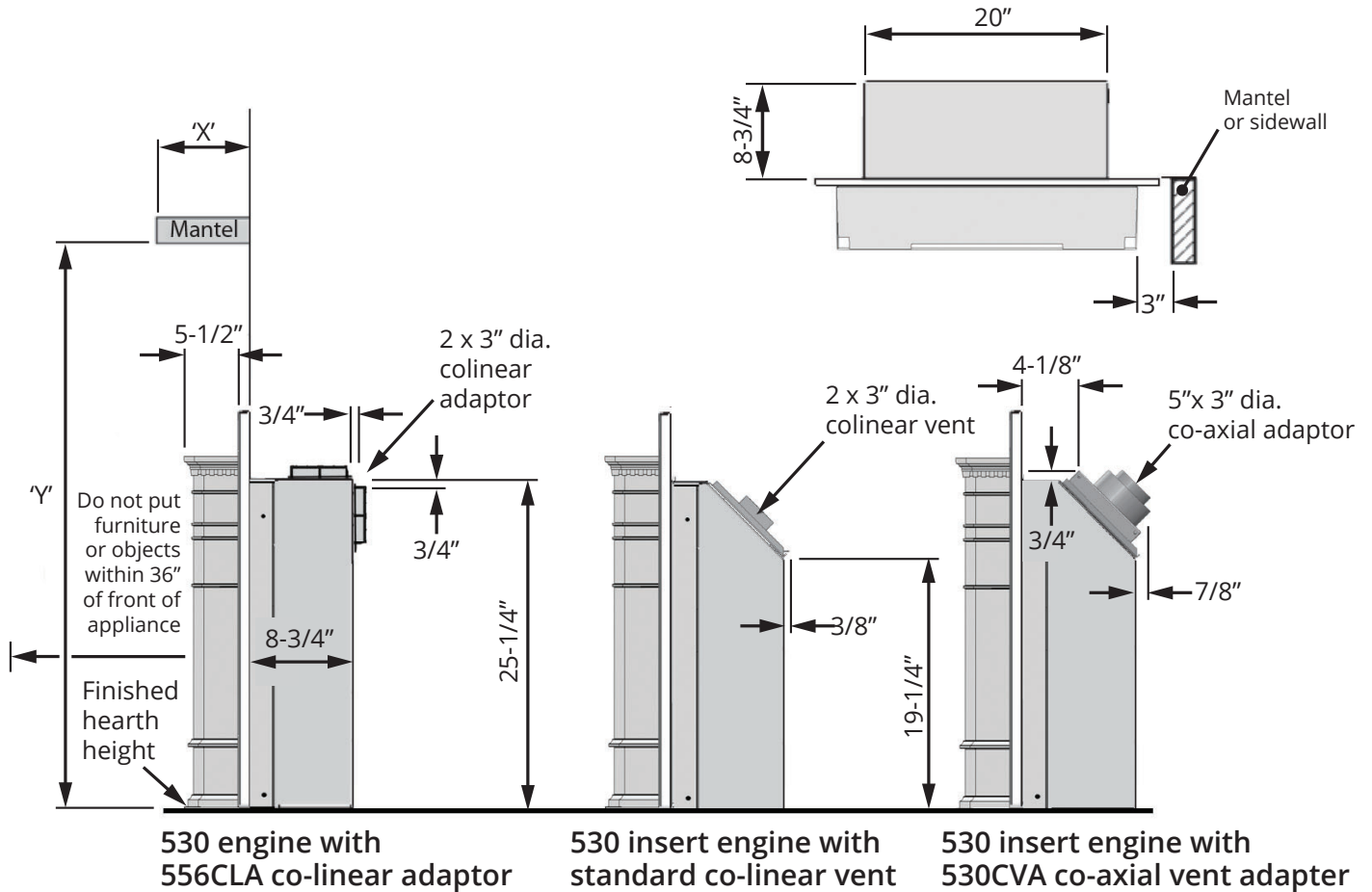
Valor® Portrait

Dec 2022

1/2

563 Senator Insert / Dimensions & Clearances

Dimensions & Clearances— Insert dimensions for 3 engine configurations
—non-combustible installations ONLY



Mantel depth "X"	Min. clearance "Y"
1" - 6"	33"
7" - 8"	34"
9" - 12"	38"
12" +	38" + 1" for every inch beyond 12"

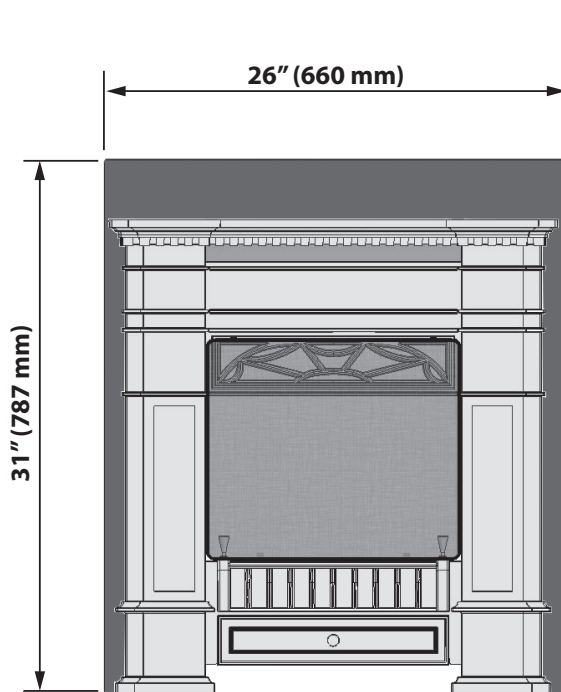
valor[®] Portrait

Dec 2022

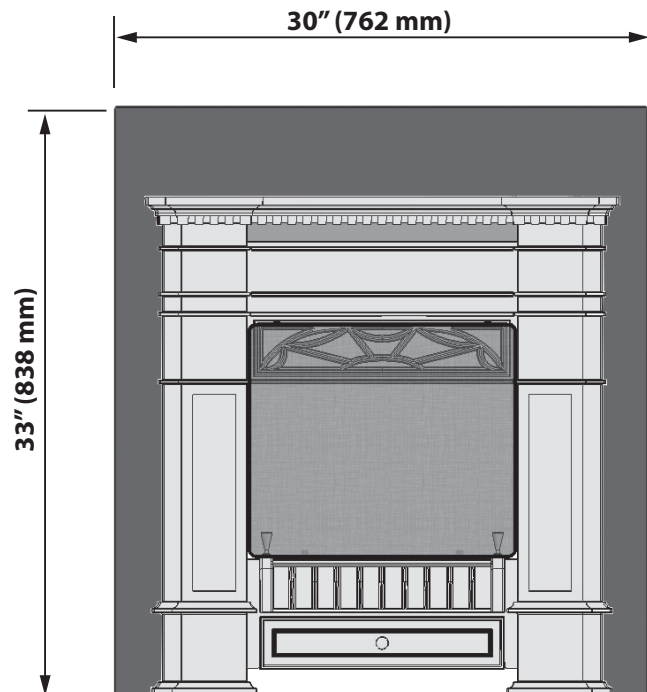
2/2

563 Senator Insert / Dimensions & Clearances

Dimensions—582CPB or 583CPB Closure Plate (required)



582CPB Closure Plate



583CPB Closure Plate