

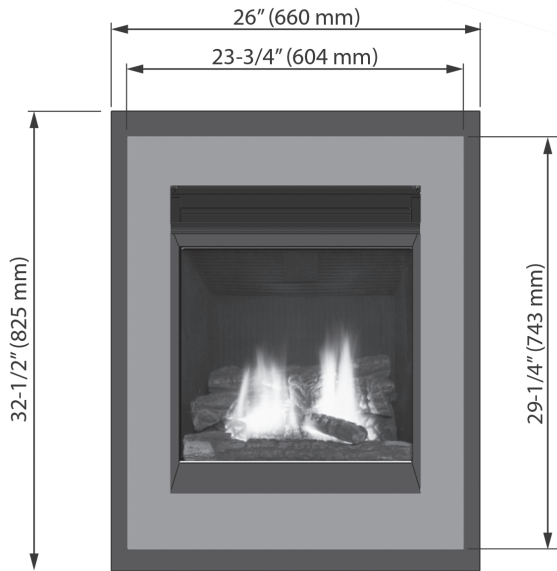
valor® Portrait

Feb 2022

1/1

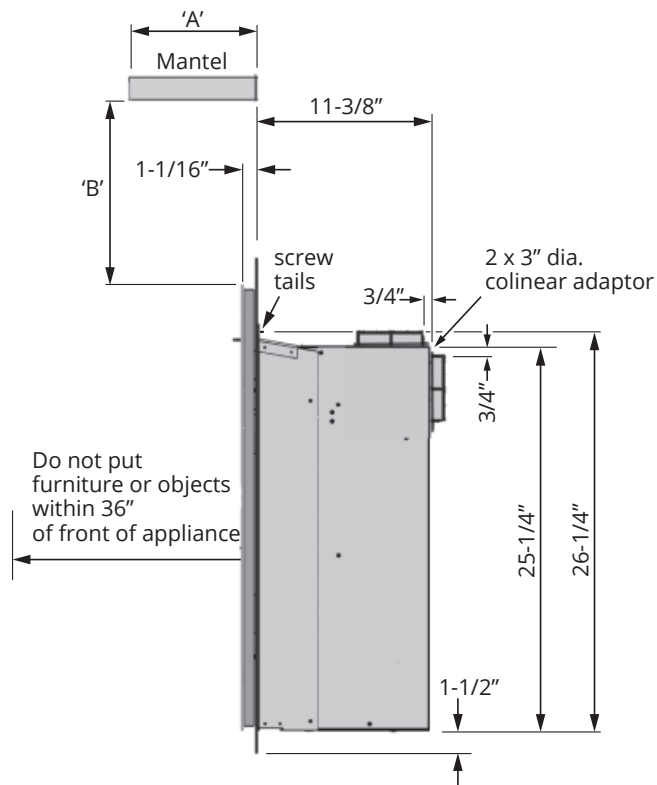
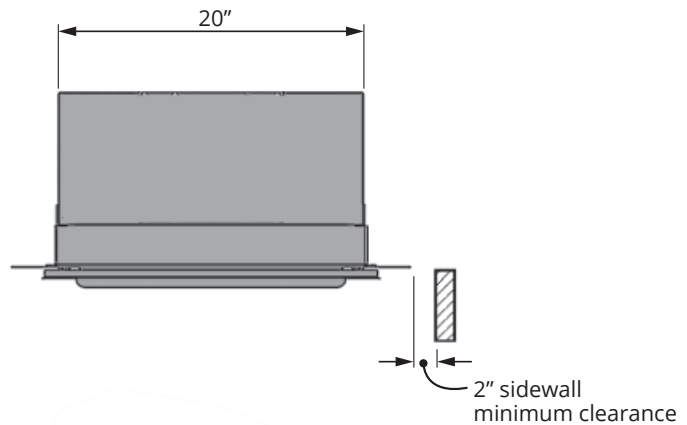
546 Ledgeview Insert / Dimensions & Clearances

Dimensions & Clearances— Insert dimensions for 2 engine configurations
—non-combustible installations ONLY

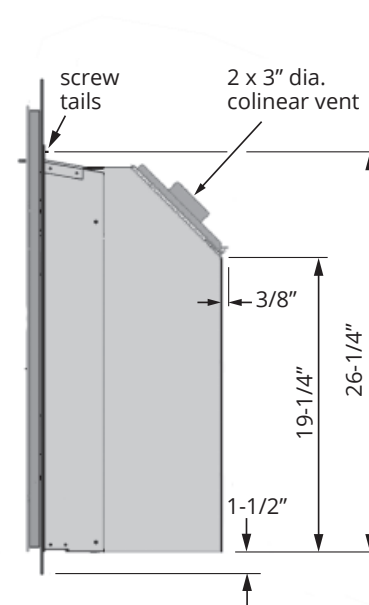


546 Ledgeview Front

Mantel Clearances	
Mantel depth "A"	Min. height "B"
0-6"	4"
8"	8"
10"	10"
12"	12"



530 engine with 556CLA co-linear adaptor



530 insert engine with standard co-linear vent

Do not put furniture or objects within 36" of front of appliance