

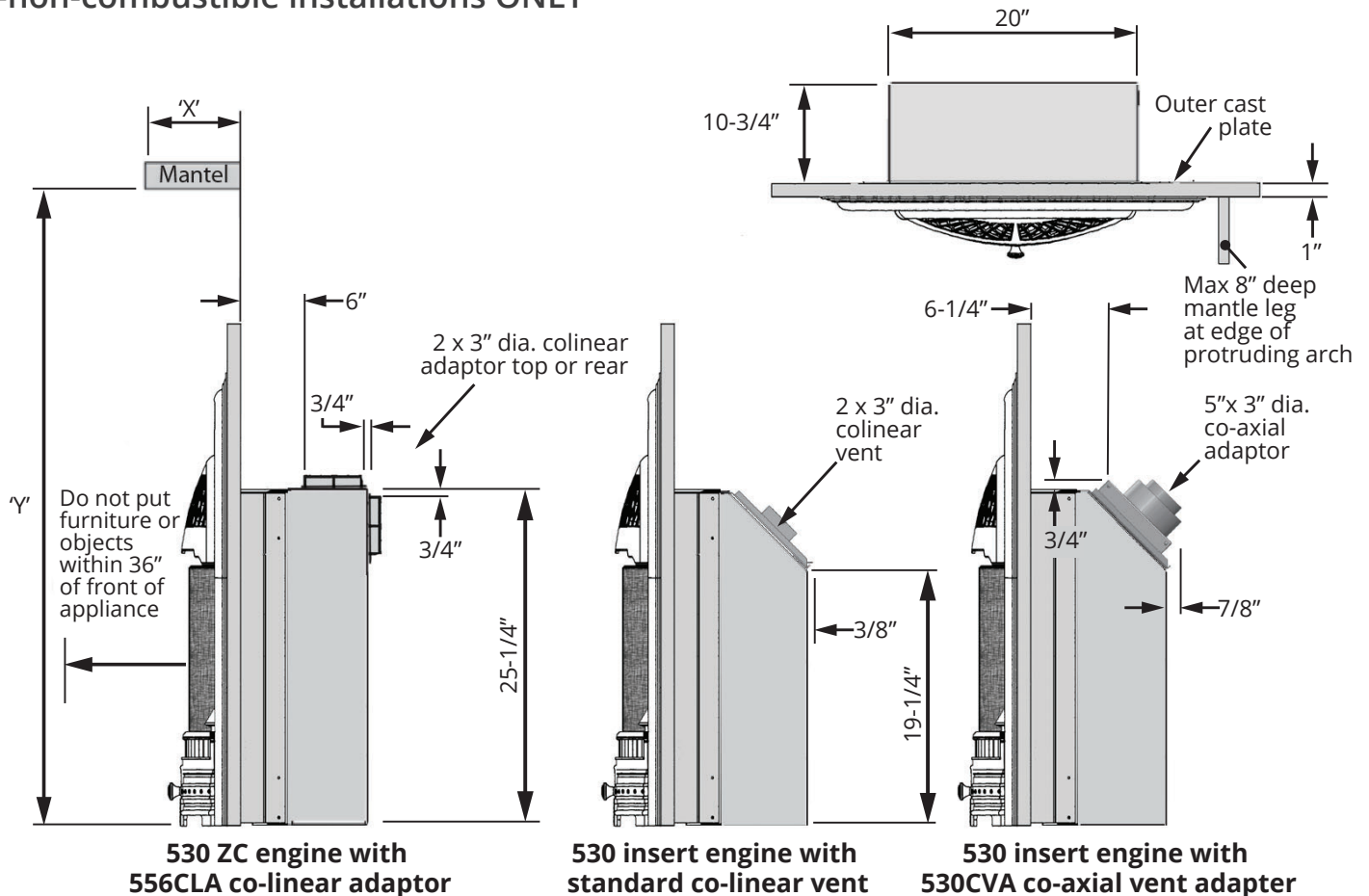
# Valor Portrait

Dec 2022

1/1

## 539-550 Arches Insert / Dimensions & Clearances

Dimensions & Clearances— Insert dimensions for 3 engine configurations  
—non-combustible installations ONLY



| Mantel Clearances |                                    |
|-------------------|------------------------------------|
| 'X'               | 'Y'                                |
| 1" - 6"           | 34"                                |
| 7" - 8"           | 36"                                |
| 9" - 12"          | 38"                                |
| 12" +             | 38" + 1" for every inch beyond 12" |

539 and 550 Arches

