

# READ & SAVE THESE INSTRUCTIONS

VALOR, INC.

VALORSTAR™ 1200 GAS LOGS

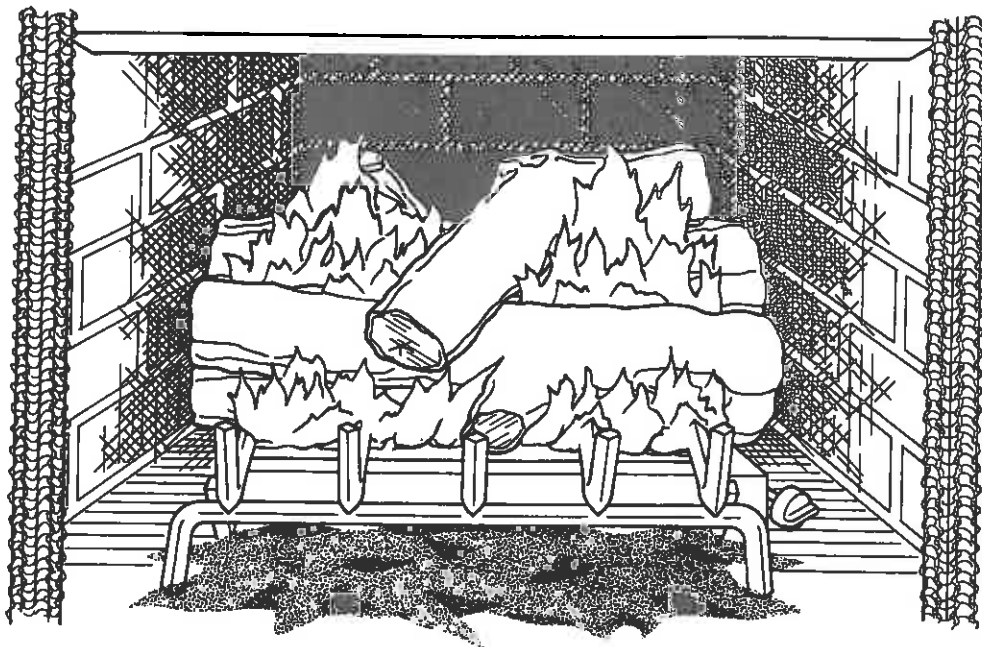
VENTED ONLY APPLIANCE

MODEL VN12-N, VN12-P

(FOR USE WITH NATURAL GAS/PROPANE)



## INSTALLATION AND OPERATING INSTRUCTIONS



### FOR YOUR SAFETY

#### WHAT TO DO IF YOU SMELL GAS:

- Do not try to light any appliance.
- Do not touch any electrical switch; do not use any phone in your building.
- Immediately call your gas supplier from a neighbor's phone. Follow the gas suppliers instructions.
- If you cannot reach your gas supplier, call the fire department.

### FOR YOUR SAFETY

Do not store or use gasoline or other flammable vapors and liquids in the vicinity of this or any other appliance.

**WARNING:** Improper installation, adjustment, alteration, service or maintenance can cause injury or property damage. Refer to this manual. For assistance or additional information, consult a qualified installer, service agency or the gas supplier.

# LIST OF CONTENTS

	Page
Important Information .....	3
Installation .....	4
Packing .....	4
Fireplace Preparation .....	4
Gas Connection .....	4
Gas Pressure Check .....	5
Location .....	5
Log Positioning .....	6
Fireplace Screen .....	6
Test For Flue Spillage .....	6
Decorative Volcanic Ash .....	6
Safety Instructions .....	7
Lighting Instructions .....	8
To Turn Off Gas To Appliance .....	9
Flame Check .....	10
Important Safeguards .....	11
Cleaning .....	11
Servicing .....	11
Repair Parts .....	11
Parts List .....	12 & 13
Exploded View .....	14 & 15
Limited Warranty Policy .....	16

# IMPORTANT INFORMATION

**INSTALLER:** Please leave these instructions with the owner.

**OWNER:** Please retain these instruction for future reference.

## MINIMUM FIREPLACE SIZE

Height	Depth	Width
17"	14.0"	29F 18R

**WARNING:** Any change to this heater or its controls can be dangerous.

### IMPORTANT: READ THESE INSTRUCTIONS CAREFULLY BEFORE MAKING INSTALLATION.

- The appliance must be installed only in a solid-fuel burning fireplace with a working flue and constructed of non-combustible material.
- The appliance area must be kept clear and free from combustible materials, gasoline and other flammable vapors and liquids.
- The appliance should be inspected before use and at least annually by a professional service person. More frequent cleaning may be required due to excessive lint from carpeting, bedding material, etc. It is important that control compartment burners and circulating air passageways of the appliance be kept clear.
- **DO NOT** place clothing or other flammable material on or near the appliance.
- This appliance must only be used with pressures at the inlet as shown in Table 1.

- Installation and the provisions for combustion and ventilation air must conform with the national fuel gas code ANSI Z223.1-1988.
- The appliance and its individual shut off valve must be disconnected from the gas supply piping system during any pressure testing of that system at test pressures in excess of ½ PSIG.
- The appliance must be isolated from the gas supply piping system by closing its individual manual shut off valve during any pressure testing of the gas supply piping system at test pressure equal to or less than ½ PSIG.
- **DO NOT** install this heater in sleeping quarters, mobile homes, or recreational vehicles.
- Installation and repair should be done by a qualified service person.
- **DO NOT** use this heater if any part has been submerged under water. Immediately call a qualified technician to inspect the appliance and to replace any part of the control system and any gas control which has been under water.
- The minimum permanent free opening that must be provided by either the fireplace chimney or chimney damper to vent the flue gas **must be** in accordance with the table in Figure 1.
- Any chimney damper must be fixed so that the minimum permanent vent opening will be maintained at all times. (By screw, bolt at damper edge or hole in damper). See Figure 1.
- Solid fuels shall not be burned in a fireplace where a decorative appliance is installed.
- Ensure periodic examination and cleaning of the venting system of the solid fuel burning fireplace at least once a year by a qualified agency.
- **WARNING:** When operated for the first time the logs may emit a "paper burning" smell. This smell will gradually diminish and will be totally eliminated after the first few hours of operation.

Minimum Permanent Free Opening (Square Inches)	
Chimney HGT (Ft.)	Model VN12-N, 43,500 BTUs/HR. VN12-P, 30,500 BTUs/HR.
6	39 sq. ins.
8	39 sq. ins.
10	39 sq. ins.
15	29 sq. ins.
20	29 sq. ins.
25	29 sq. ins.
30	29 sq. ins.

Area of Standard Round Flue	
Diameter (in.)	Area (sq. in.)
5	19.6
6	28.3
7	38.5
8	50.29

**FIGURE 1**

# INSTALLATION

## VN-12 PACKING

Open carton and remove the chassis from its location. Remove each of the logs by gripping gently at either end of the log while avoiding any undue pressure. Please note that the logs have been numbered for positive identification. (See Figure 2).

The carton contains the following items:

- A. Chassis
- B. Small Front Log No. 1
- C. Top Front Log No. 2
- D. Rear Log No. 3
- E. Top Log No. 4
- F. Instructions
- G. Registration Card
- H. 2 Screws
- I. Bag of Volcanic Ash
- J. Damper Stop

## FIREPLACE PREPARATION

The minimum permanent free opening that must be provided by either, the fireplace chimney or chimney damper to vent the flue gas **MUST BE** in accordance with the Table in Figure 1.

- A. Turn off gas supply to fireplace.
- B. Clean the fireplace flue and chimney of any ashes, soot, creosote or obstruction.
- C. Open the chimney flue damper to the fully opened position and secure in place with the damper stop. (See Figure 3).

## GAS CONNECTION

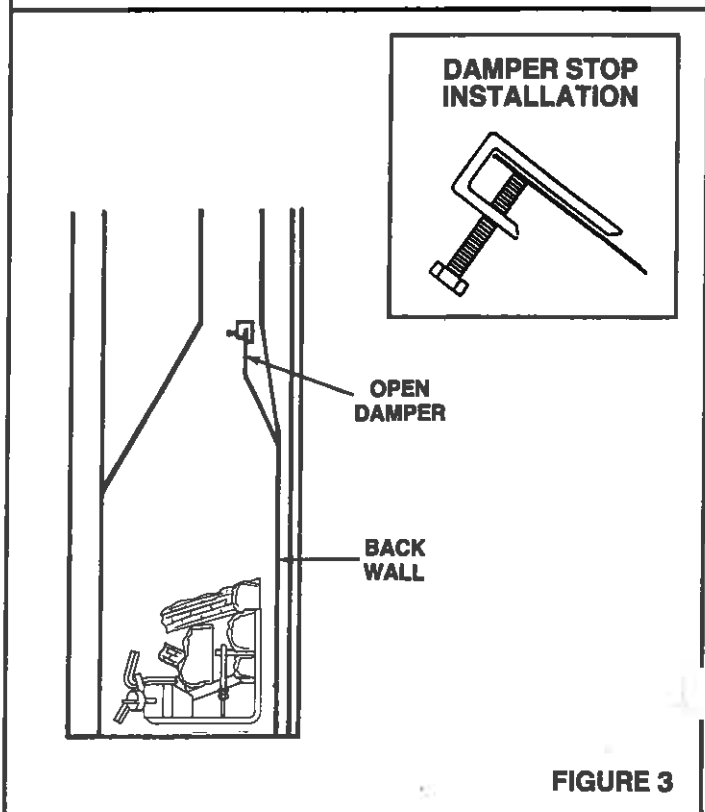
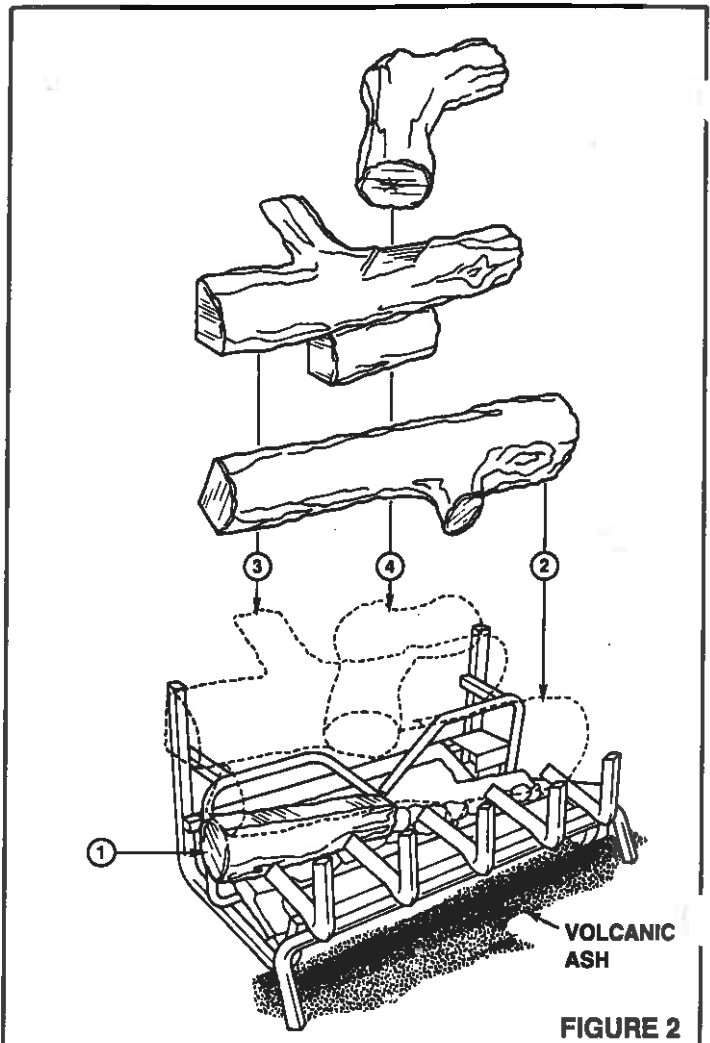
**CHECK GAS TYPE** - Use only the gas type indicated on the heater's rating plate. If the gas type indicated on this plate is not your type of gas supply, **DO NOT INSTALL**. Contact your dealer for proper model.

Always use an external regulator for all L.P. appliances only to reduce the supply tank pressure to a maximum of 14 in. w.c. This is in addition to the regulator fitted to the heater.

**WARNING: Connecting directly to an unregulated L.P. tank can cause an explosion.**

The normal gas connection is  $\frac{3}{8}$  NPT, made at the left side facing the unit. If a right side connection is desired, the connecting pipe may be led under the rear of the appliance to terminate at the left hand side for connection to the inlet of the appliance.

Test for leaks using soap and water solution after completing connection. **DO NOT USE OPEN FLAME.**



# INSTALLATION (cont.)

## GAS PRESSURE CHECK

Check the inlet pressure to the appliance to insure that it is as shown in the table below.

TABLE 1

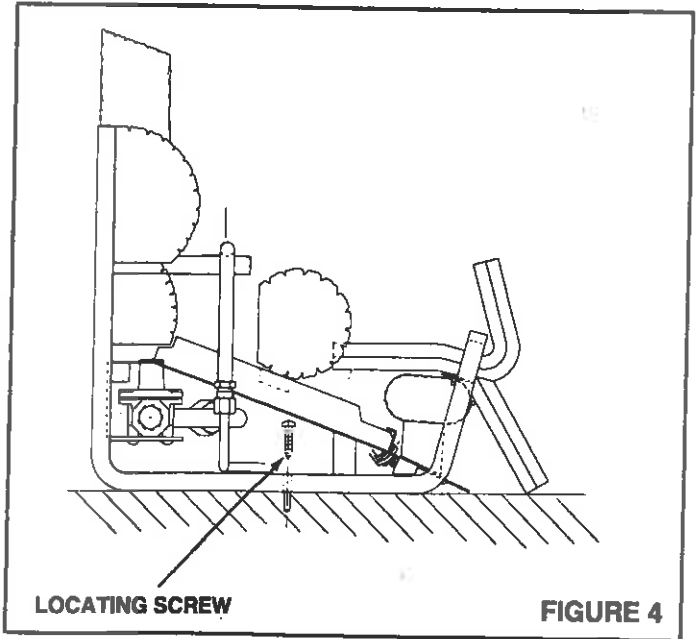
MODEL GAS		VN12-N NATURAL	VN12-P PROPANE
MAX HEAT INPUT BTU/H		43,500	30,500
GAS INLET PRESSURE	Max	10.5 ins WC	13 ins WC
	Min	5 ins WC	11 ins WC
REGULATOR PRESSURE		4 ins WC	10 ins WC

The burner pressure is controlled by the regulator and should be checked at the pressure test point which is located downstream from the regulator on the control valve body. Access to the pressure test point is obtained by removing all logs (i.e. top log, large front log, small front log and rear log). In addition, remove the heat shield on the rear right hand side of the base two screws. The pressure test point  $\frac{1}{8}$ " NPT plugged tapping is located on the rear face of the control body. (Figure 5).

Alternatively, the pressure test point may be found directly downstream of the governor and accessible from above, below the left hand rear floor of the base. (Figure 5).

The pressure should be checked with the appliance burning and the control set at high.

The pressure regulator is preset. If the pressure is not as specified, replace the regulator with Valor Part No. F0017 for Natural Gas and Valor Part No. F0480 for Propane only. After pressure measurement, replace the test point plug ensuring no gas leak, replace the heat shield where appropriate and the four logs in their specified position.



LOCATING SCREW

FIGURE 4

## LOCATION

Centrally locate the unit in the fireplace and deep enough into the firepit to accomplish adequate draft. Ensure that the grate front feet sit inside the front edge of the fireplace.

To avoid any movement of the the product during operation, screw the chassis to the floor of the fireplace using the screws provided.

A fixing hole is provided on the two bottom side members of the grate frame. After locating the chassis correctly in the fireplace, mark the fixing hole positions on the fireplace floor. Drill two holes  $\frac{1}{2}$ " deep. (See Figure 4).

Use the two screws to fix the chassis to the fireplace floor.

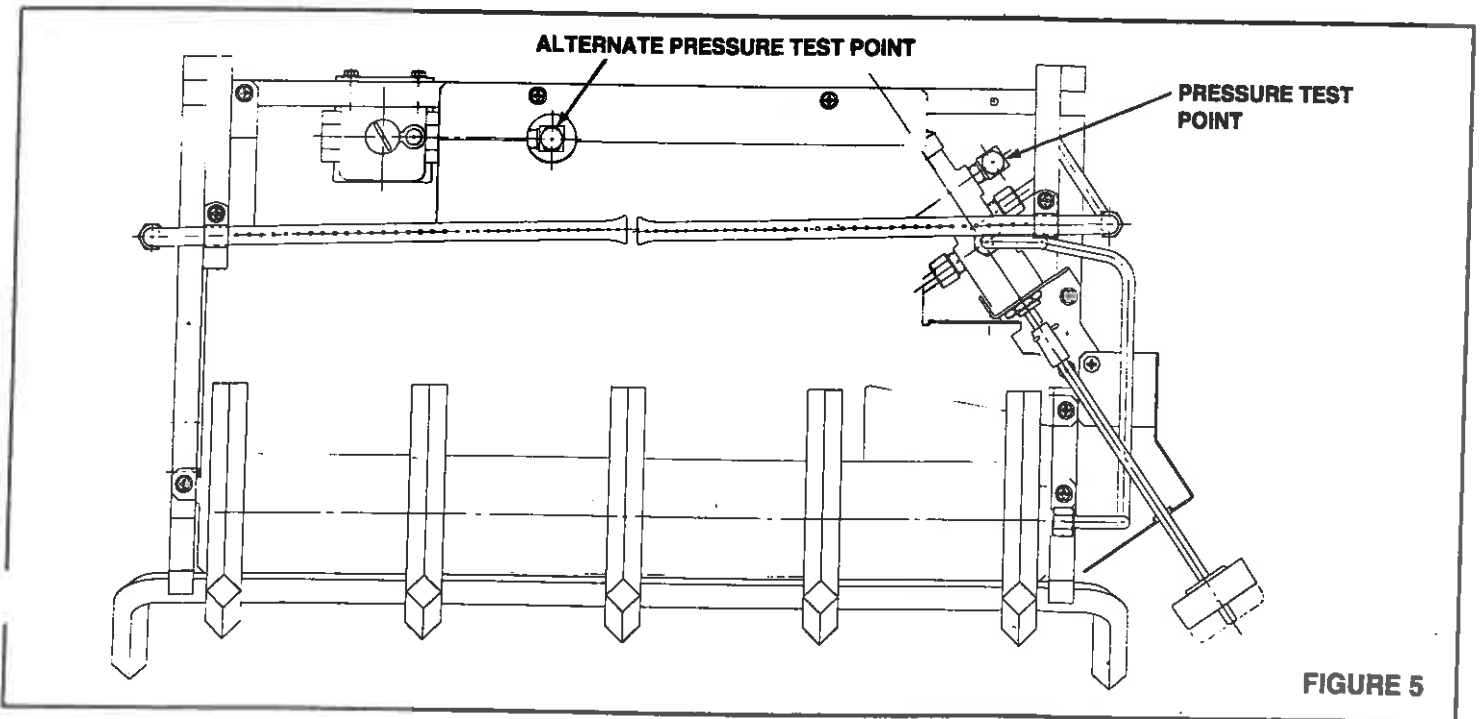


FIGURE 5

# INSTALLATION (cont.)

## LOG POSITIONING

The logs require to be carefully positioned as shown in Figure 2. Each log is numbered on the rear or the underside.

Position log numbered 1 at the front left hand side as shown, locating the slot in the log over the spigot in the base.

Position log numbered 2 on top of log No. 1 and sloping down to the base on the right hand side, thin end of the left hand side. Locate the left hand slot of Log No. 2 into the top spigot of Log No. 1. Locate the right hand slot of Log 2 into the spigot on the right hand side on the base. Ensure that the log is central and vertical as seen from the side.

## FIREPLACE SCREEN

The fireplace screen must be in place when the appliance is operating, and unless other provisions from combustion air are provided, the screen shall have openings for introduction of combustion air.

## TEST FOR FLUE SPILLAGE

A "spillage" test must be made before the installed appliance is left with the customer. Carry out as follows:

Close all doors and windows in the home.

Light the unit and set the control on setting 4.

After 3 minutes, test with a smoke match or cigarette at about 1" below the top of the opening (lintel) across the full width (Figure 6). If spillage occurs it will most likely be near the top center.

Possible cures are:

Damper needs to be open further.

Fireplace opening needs reducing by adding a drop panel across the top under the lintel.

Air supply from outdoors needs increasing.

If necessary seek expert advice and do not operate unit.

## DECORATIVE VOLCANIC ASH

The volcanic ash from the bag provided should be sprinkled over the baseplate in front of and below the main burner in the area shown dotted in Figure 2. **Do not sprinkle this material on the fiber base or around the pilot or on the main burner.**

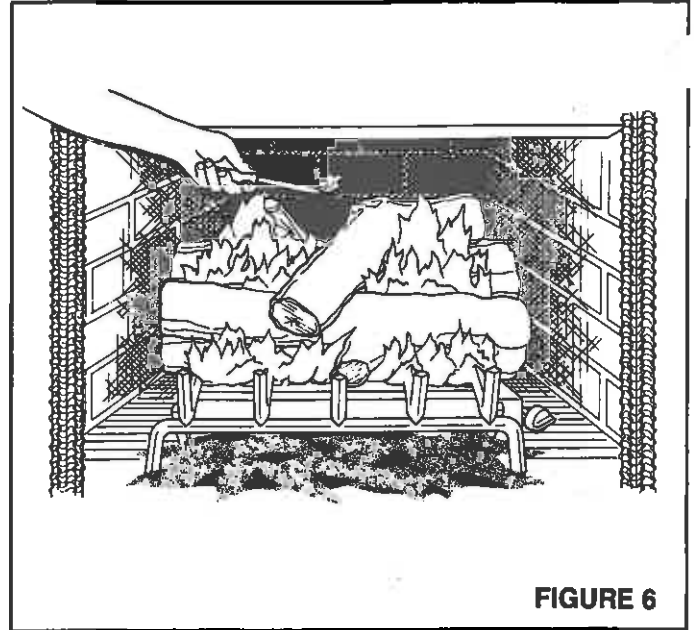
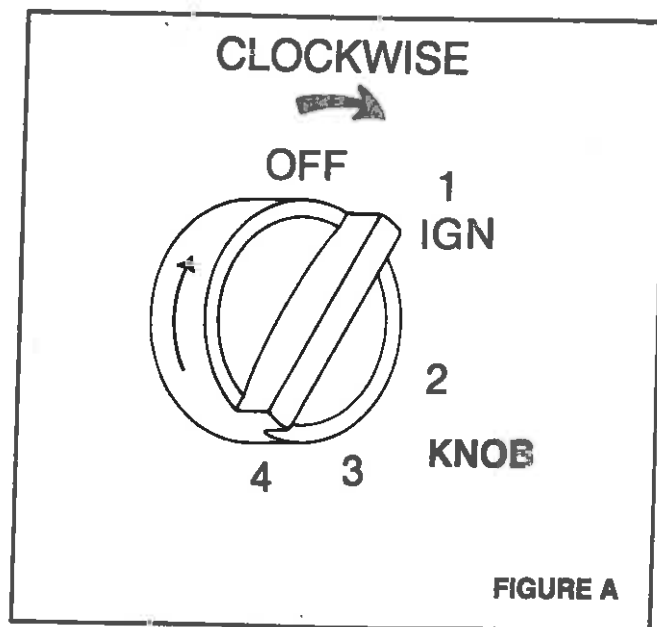


FIGURE 6

# FOR YOUR SAFETY READ BEFORE LIGHTING

**WARNING: If you do not follow these instructions exactly, a fire or explosion may result causing property damage, personal injury or loss of life.**

- A. This appliance has a pilot which must be lighted by hand. When lighting the pilot, follow these instructions.
- B. **BEFORE OPERATING** smell all around the appliance area for gas. Be sure to smell next to the floor because some gas is heavier than air and will settle on the floor.
- WHAT TO DO IF YOU SMELL GAS:**
- Do not try to light any appliance.
  - Do not touch any electric switch; do not use any phone in your building.
  - Immediately call your gas supplier from a neighbor's phone.
  - Follow the gas supplier's instructions.
  - If you cannot reach your gas supplier, call the fire department.
- C. Use only your hand to push in or turn the gas control knob. Never use tools. If the knob will not push in or turn by hand, don't try to repair it, call a qualified service technician. Force or attempted repair may result in a fire or explosion.
- D. Do not use this appliance if any part has been under water. Immediately call a qualified service technician to inspect the appliance and to replace any part of the control system and any gas control which has been under water.

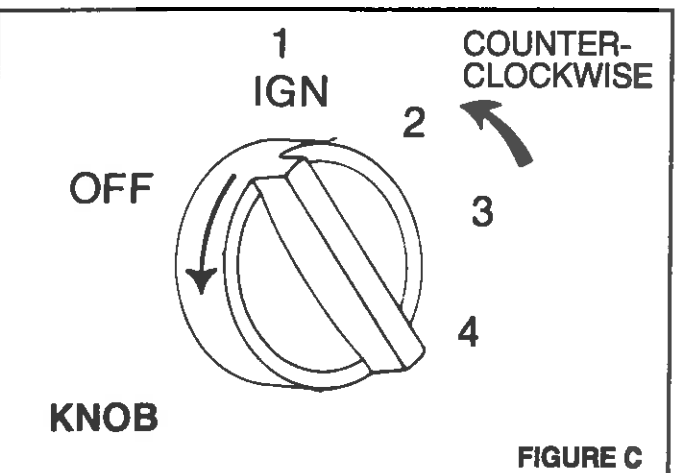
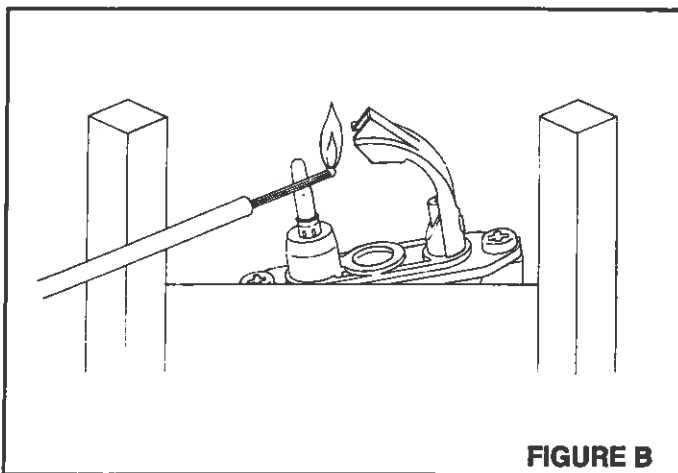


# LIGHTING INSTRUCTIONS

1. **STOP!** Read the safety information to the left of this label.
2. Refer to Figure A. To turn off the gas supply, depress the knob slightly and turn clockwise to the "OFF" position.
3. Wait five (5) minutes to clear out any gas. If you then smell gas, **STOP!** Follow "B" in the safety information to the left of this label. If you don't smell gas, go on to the next step.
4. Refer to Figure B. The pilot is located in front of the bottom right hand side of the front log in front of the main burner.
5. Using the match holder provided light the match and insert it into the holder. Offer the lighted match to the end of the pilot. Figure B.
6. Refer to Figure C. Push in the central knob and turn counterclockwise to the 1/IGN position. Hold the control knob in for a few seconds.
7. Hold the control knob for a further 10 seconds to prevent the flame failure detector from shutting off the gas while its probe is warming up.
8. Release the control.
  - If the knob does not pop up when released, stop and immediately call your service technician or gas supplier.
  - If the pilot will not stay lit after several tries, turn the gas control knob to "OFF" and call your service technician or gas supplier.
9. To turn the gas supply on, depress the knob slightly and turn to the setting you prefer.
10. The setting positions are:

	Natural Gas BTUs/hr	Propane Gas BTUs/hr
1/IGN Pilot Only		
2 Main Burner	24,500	18,500
3 Main Burner & one rear burner	36,500	24,500
4 All Burners	43,500	30,500

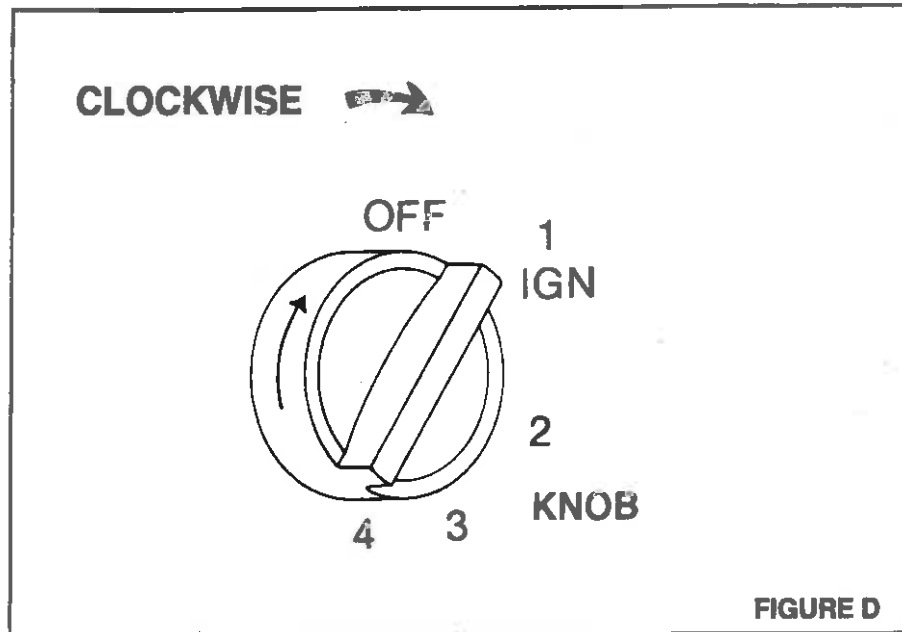
11. This appliance is fitted with a transient pilot burner for the sole purpose of safe, momentary ignition of the main burner. When in operation with the main burner, it contributes to the base heat release and is turned off by turning the control knob to the "OFF" position.
12. The control knob should not be left at the ignition setting after the pilot has been ignited.





# TO TURN OFF GAS TO APPLIANCE

Depress the control slightly and turn the knob clockwise to the off position. Refer to Figure D.



# LIGHTING INSTRUCTIONS

## FLAME CHECK

A periodic visual check of the flames should be made. The pilot flame should always be present when the appliance is in operation. See Figure 7.

In normal operation at full rate (for approximately 15 minutes) the following flame appearance should be observed:

**Rear Flames:** The flames at the rear or either side of the top log should be very similar, yellow in color and should extend about 4-6 inches above the front log for natural gas and 2-4 inches for propane.

**Main Burner:** The flames at the burner front face will be blue becoming yellowish as they hit the bottom of the front logs. Typical main burner flame shapes are given in Figure 8 and Figure 9.

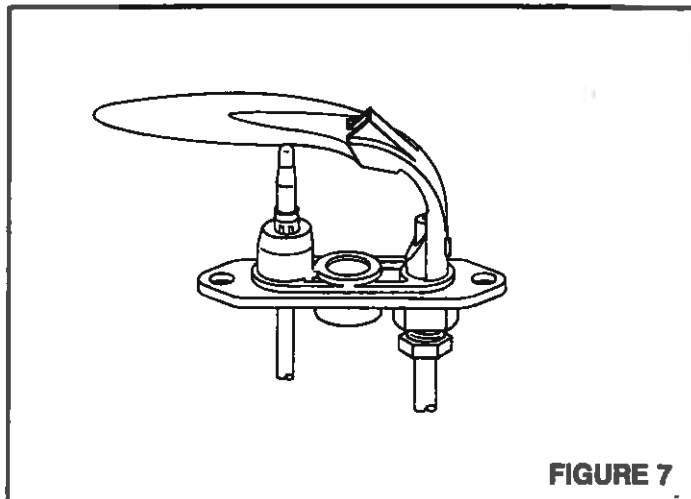


FIGURE 7

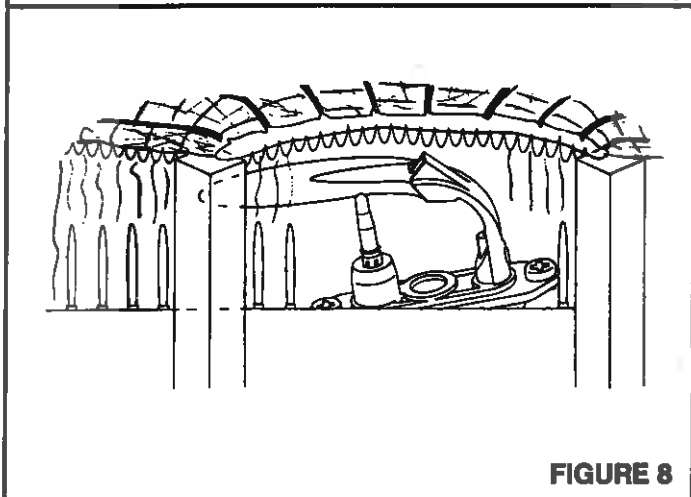


FIGURE 8

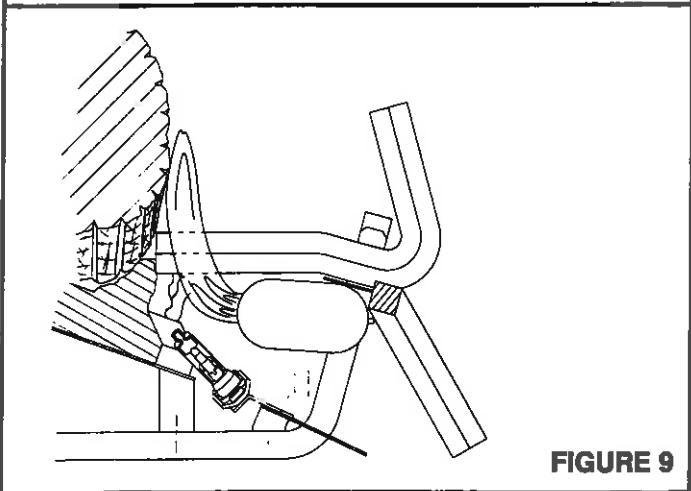


FIGURE 9

## IMPORTANT SAFEGUARDS

Although your ValorStar™ is very realistic in appearance, it is not a real wood burning fire and must not be used for burning reject materials.

To avoid irreparable damage to the appliance or personal injury, matches, paper, garbage or any other material must not be placed or thrown on top of the logs or into the flames.

Do not touch hot surfaces when the appliance is operating to avoid personal injury.

Touch only the control knob. Avoid contact with the grate feet or prongs or any other part which will be very hot.

Always ensure that the fireplace screen is closed when the appliance is operating.

To avoid a possible fire hazard or damage to your appliance, it must not be used with the fireplace glass doors closed.

Close supervision is necessary when the appliance is being used near children.

### WARNING:

The glowing ember base and all the logs are manufactured from bonded ceramic fiber. This is a commonly used material in the industry worldwide. In the event of the logs and base being removed, care should be taken not to damage the bonded material.

Internal misuse or deliberately fragmenting the material could be injurious to health by inhaling.

The ValorStar™ is intended for use as a decorative gas appliance, mounted in a vented fireplace, as described in the instructions and should not be used for any other purpose.

## CLEANING

**CAUTION:** Before cleaning or moving logs or other parts of the unit be sure to read the following section on important safeguards.

All cleaning should be carried out when the appliance is cold.

Only limited cleaning will be required under normal use of the appliance. Dusting the front grate or the control knob panel may be required occasionally. Do not use any cleaning fluids to clean the logs or any other part of the appliance.

If the flames show unusual shapes and behavior, or the burners fail to ignite properly, then the burner holes may require cleaning. If this occurs it is preferable to contact your nearest dealer to get the appliance serviced.

Alternatively, the appliance can be cleaned by removing the top, front, and rear logs. Handle the logs gently so as not to damage the fiber pieces. Always lift each log by holding it carefully at each end. Use the vacuum cleaner carefully to remove dust and loose particles from the base, logs and from around the burners. Gloves are recommended to prevent the fibers from pricking your skin. If the skin is pricked, wash gently with soap and water.

## SERVICING

Repair and replacement work should only be done by a qualified service person.

Always shut off the gas supply and make sure the appliance is cool before beginning any service operation.

Always check for gas leaks after servicing.

Where any major repair or servicing is required, the qualified service person must refer to Valor Service Department before proceeding.

## REPAIR PARTS

A parts list with exploded views is attached. Always include correct name, part number and model number of appliance when ordering service parts.

Consult your local dealer for a source of parts.

If you desire to communicate with the factory write to:

Valor Inc.  
60 Industrial Park Drive  
P. O. Box 1629  
Hendersonville, TN 37077-1629

Phone: 1-800-654-8534

### Owner Registration:

Please complete and return your owner registration card to:

Valor Inc.  
60 Industrial Park Drive  
P.O. Box 1629  
Hendersonville, TN 37077-1629

# PARTS LIST

Exploded View #	Part #	Part Name	Quantity	
			Model VN12-N	Model VN12-P
1.	F0422	Assy — Welded Grate; Front .....	1	1
2.	F0532	Assy — Welded Grate; Rear .....	1	1
3.	F0429	Plate — Base .....	1	1
4.	F0024	Main Burner .....	1	—
	F0168	Main Burner (P) .....	—	1
5.	F0225	Injector — Main Burner .....	1	—
	F0368	Injector — Main Burner (P) .....	—	1
6.	F0432	Bracket — Main Burner .....	2	2
7.	F0504	Modified Pilot Assembly .....	1	—
	F0523	Modified Pilot Assembly (P) .....	—	1
8.	F0481	Bracket — Pilot .....	1	1
9.	F0030	Thermocouple .....	1	1
10.	F0430	Bracket — Gas Tap .....	1	1
11.	F0542	Gas Tap W/Nut & Plug .....	1	1
12.	F0485	Street Elbow — 1/8-27NPTF .....	1	1
13.	F0437	Tube—Regulator/Tap .....	1	1
14.	F0081	Nut — 11/16" — 20 UNS (1/2" Dia. Tube) .....	1	1
15.	F0082	Ferrule (1/2" Dia. Tube) .....	1	1
16.	F0508	Tube — Tap/Pilot .....	1	1
17.	F0077	Nut — 3/8 — 24 UNF (3/16" Dia. Tube) .....	1	1
18.	F0078	Ferrule (3/16" Dia. Tube) .....	1	1
19.	F0512	Tube — Tap/Main Burner .....	1	1
20.	F0079	Nut — 7/16 — 24 UNS (1/4" Dia. Tube) .....	6	6
21.	F0080	Ferrule (1/4" Dia. Tube) .....	6	6
22.	F0513	Tube — Tap/Right Burner .....	1	1
23.	F0514	Injector — #49 .....	1	—
	F0500	Injector — #67 .....	—	1
24.	F0515	Tube — Tap/Left Burner .....	1	1
25.	F0555	Injector — #51 .....	1	—
	F0501	Injector — #68 .....	—	1
26.	F0017	Regulator .....	1	—
	F0471	Regulator (P) .....	—	1
27.	F0444	Male Connector W/Nut & Ferrule .....	1	1
28.	F0468	Bracket — Regulator .....	1	1
29.	F0469	Cover — Burner .....	1	1
30.	F0487	Assy. — Shaft Extender .....	1	1
31.	F0490	Cotter Pin — 5/64" Dia. .....	1	1
32.	F0434	Base — Ceramic Fiber .....	1	1
33.	F0445	Shield — Gas Tap .....	1	1
34.	F0447	Bracket — Knob Support .....	1	1
35.	F0449	Tube — Right Burner .....	1	—
	F0526	Tube — Right Burner (P) .....	—	1
36.	F0452	Air Shutter .....	2	2
37.	F0453	Clamp — Tube .....	2	2
38.	F0451	Tube — Left Burner .....	1	1
39.	F0517	Plate — Data .....	1	—
	F0529	Plate — Date (P) .....	—	1
40.	F0518	Plate — Lighting Instructions .....	1	1
41.	F0534	Plate — Safety Instructions .....	1	1
42.	F0142	Coupling — Bead Chain .....	1	1
43.	F0141	Chain — Bead .....	1	1
44.	F0454	Log — Bottom Front .....	1	1

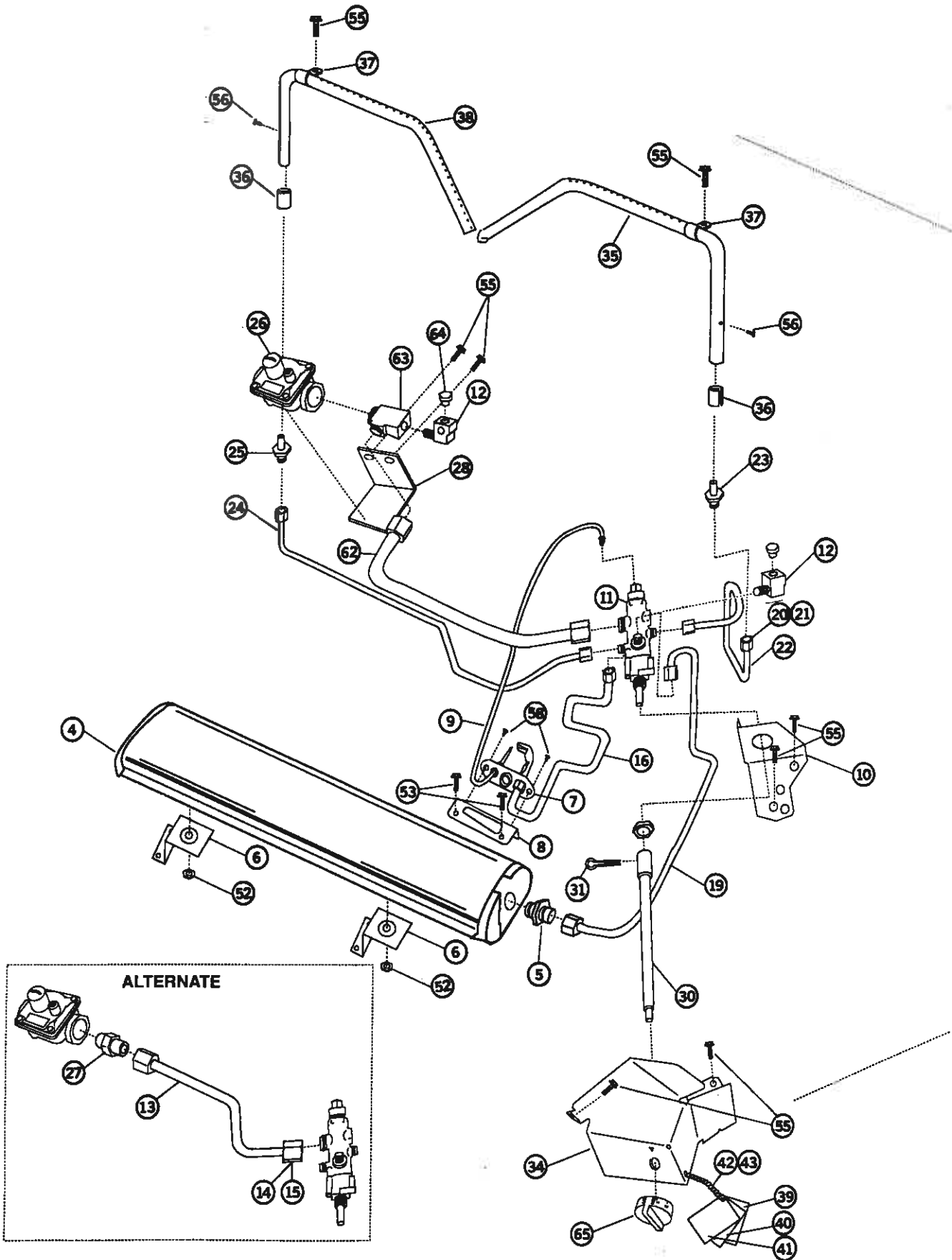
# PARTS LIST

Exploded View #	Part #	Part Name	Quantity	
			Model VN12-N	Model VN12-P
45.	F0455	Log — Top Front .....	1	1
46.	F0456	Log — Rear .....	1	1
47.	F0457	Log — Top .....	1	1
48.	F0545	Clamp — Vent .....	1	1
49.	F0494	Assy — Hardware Bag (contains 2 "Hold Down" Screws) .....	1	1
50.	F0110	Match Holder .....	1	1
51.	F0540	Assy. — Volcanic Rock .....	1	1
52.	F0124	Nut — #10 - 24 Hex. ....	2	2
53.	23903	Pop Rivet — .125" Dia. ....	6	6
54.	F0533	Screw — #8 - 32 x 1" Ph. Hex. Washer Hd. Type "1" .....	2	2
55.	28058	Screw — #8 - 32 x 3/8" Ph. Hex. Washer Hd. Type "1" .....	18	18
56.	52771	Screw — #5 - 40 x 3/16" Ph. Pan Hd. Type "1" .....	2	2
57.	52783	Screw — #6 x 5/16" Ph. & Sstd. Hd. Type "25" .....	2	2
58.	52825	Screw — #8 x 1/2" Ph. Pan Hd. Type "A" .....	2	2
59.	52834	Screw — #8 x 3/4" Ph. Pan Hd. Type "A" .....	1	1
60.	18965	Washer — 5/8" O.D.; .191" I.D.; .032" Thk. ....	1	1
61.	51649	Bolt — Hex: 1/4" -20 x 3 1/2" .....	1	1
62.	F0483	Tube — Regulator Tee/Tap .....	1	1
63.	F0018	Regulator Tee W/Nut & Ferrule .....	1	1
64.	F0092	Plug — 1/8" - 27 NPTF .....	1	1

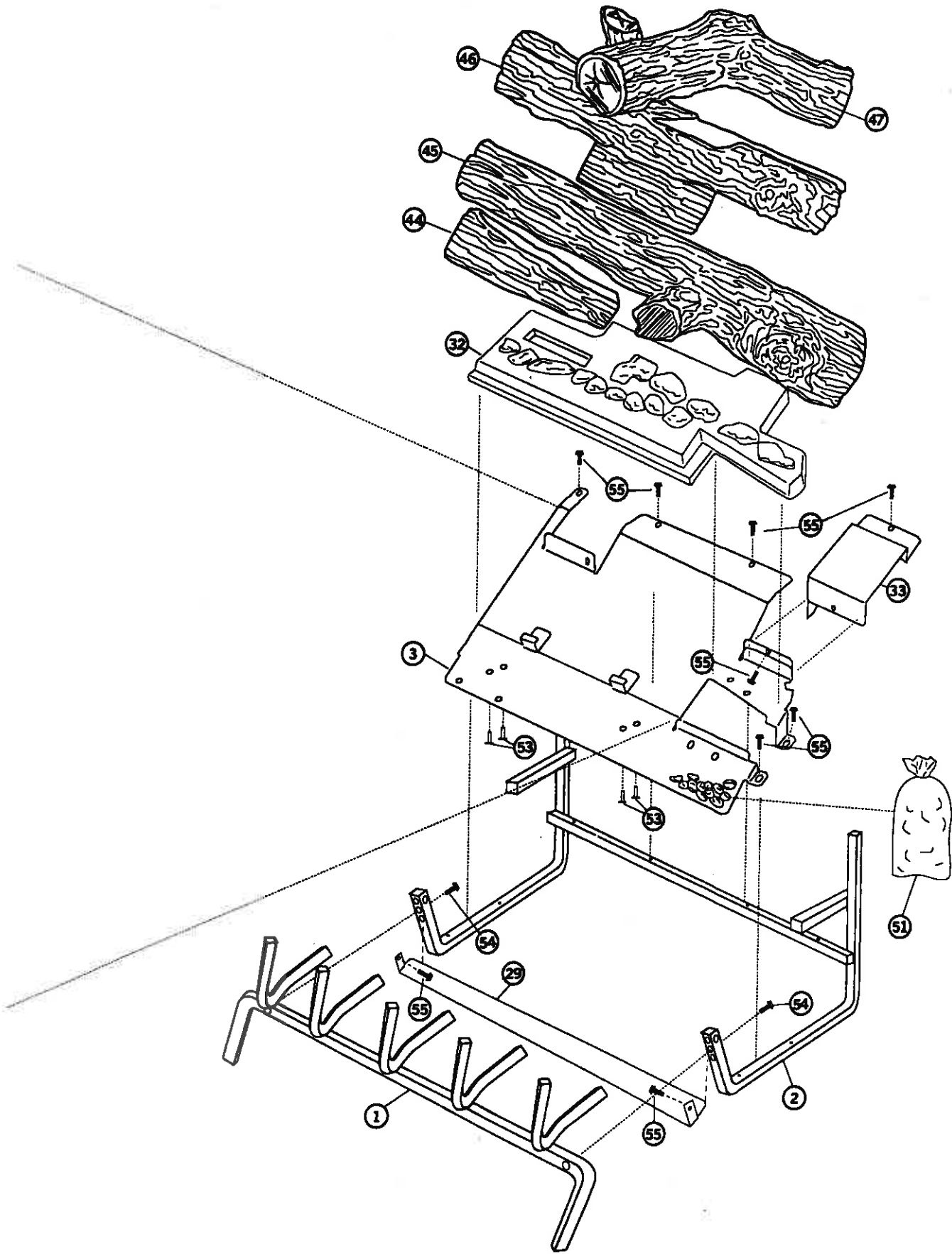
(P) = Propane Only

NOTE: All "Gas Line Tubes" will be supplied with the appropriate nuts and ferrules.

# EXPLODED VIEW



# EXPLODED VIEW



## LIMITED WARRANTY POLICY

Valor Inc. warrants this appliance for a period of one year from date of purchase against defects in material or workmanship. This warranty covers only the cost of defective parts and applies only to the original consumer purchaser. The replacement of defective parts by Valor Inc. will be without charge. This warranty does not extend to (1) appliance damaged by accident, neglect, misuse, abuse, alteration, negligence of others, including the installation thereof by unqualified installers, (2) the costs of removal, reinstallation or transportation of defective parts on the appliance, or (3) incidental or consequential damages.

**THIS WARRANTY IS EXPRESSLY IN LIEU OF OTHER WARRANTIES, EXPRESS OR IMPLIED, INCLUDING THE WARRANTY OF MERCHANTABILITY OF FITNESS FOR PURPOSE AND OF ALL OTHER OBLIGATIONS OR LIABILITIES. VALOR INC. DOES NOT ASSUME, NOR HAS IT AUTHORIZED ANY PERSON INCLUDING ITS SALES REPRESENTATIVES TO ASSUME FOR IT, ANY OTHER OBLIGATION OR LIABILITY IN CONNECTION WITH THE SALE OR USE OF THIS HEATER.**

The appliance must be installed by a qualified installer in accordance with the instructions furnished with the unit. The Defective appliances, or parts of defective appliances, should be returned at your expense to the dealer from where the product was purchased or authorized service agent. Any products presented for warranty repair must be accompanied by the sales invoice evidencing proof of purchase and date of purchase.

Some States do not allow the exclusion on limitation of incidental or consequential damages, or on how long an implied warranty lasts, so the above limitations may not apply to you.

Because our Policy is one of constant development and improvement, details may vary slightly from those given in this publication.

**VALOR Inc.**  
Hendersonville, Tn.