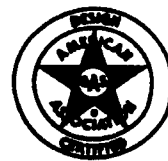


valor



Legend Ultra

MODEL 837AN

FOR USE WITH NATURAL GAS

MODEL 837AP

FOR USE WITH PROPANE

DIRECT VENT WALL FURNACE

WARNING: If the information in this manual is not followed exactly, a fire or explosion may result causing property damage, personal injury or loss of life

- Do not store or use gasoline or other flammable vapors and liquids in the vicinity of this or any other appliance.
- **WHAT TO DO IF YOU SMELL GAS**
 - Do not try to light any appliance.
 - Do not touch any electrical switch
 - Do not use any phone in your building.
 - Immediately call your gas supplier from a neighbor's phone. Follow the gas supplier's instructions.
 - If you cannot reach your gas supplier, call the fire department.
- Installation and service must be performed by a qualified installer, service agency or the gas supplier.

INSTALLATION AND OWNER'S MANUAL

Please read this manual before installing and operating this heater.

WARNING: Improper installation, adjustment, alteration, service or maintenance can cause injury or property damage. Refer to this manual.

For assistance or additional information consult a qualified installer, service agency or the local gas supplier

This appliance is a domestic room heating appliance. It must not be used for any other purpose such as drying clothes etc.

This appliance may be installed in an aftermarket permanently located, manufactured (mobile) home, where not prohibited by local codes. This appliance is only for use with the type of gas indicated on the rating plate. This appliance is not convertible for use with other gases, unless a certified kit is used.

Installer - Please leave this manual with the homeowner

CONTENTS

| | |
|---|-----------|
| 1. CONTENTS | 2 |
| 2. SAFETY INFORMATION | 3 |
| 3. OPTIONS | 4 |
| 3.1. FRONT OPTIONS | 4 |
| 3.2. ADDITIONAL OPTIONS | 4 |
| 4. GENERAL | 4 |
| 4.1. RATINGS..... | 4 |
| 5. LOCATION REQUIREMENTS | 5 |
| 5.1 GENERAL | 5 |
| 5.2 WITH STANDARD FRONT..... | 6 |
| 5.3 WITH CAST METAL FRONT..... | 7 |
| 5.4 WITH FOUR SIDED FRONT | 8 |
| 6. APPLIANCE PREPARATION | 9 |
| 7. INSTALLATION TO FIREPLACE FRAME | 10 |
| 8. VENTING CONFIGURATIONS WITH NO VERTICAL RISE | 11 |
| 9. HORIZONTAL THROUGH THE WALL TERMINATIONS WITH VERTICAL RISE | 16 |
| 10. INSTALLATION WITH THROUGH THE ROOF VERTICAL TERMINATION | 23 |
| 11. VENT ACCESSORIES | 25 |
| 12. VENT LOCATION | 26 |
| 13. SUPPLY GAS | 27 |
| 14. PACK CONTENTS | 27 |
| 15. GAS SUPPLY INSTALLATION | 28 |
| 16. PRESSURE RELIEF SYSTEM CHECK | 29 |
| 17. AERATION SETTING CHECK | 29 |
| 18. CERAMIC FUEL BED INSTALLATION | 30 |
| 19. FACIA INSTALLATION | 32 |
| 20. FINAL CHECKS | 34 |
| 21. OPERATING PROCEDURE | 35 |
| 22. CLEANING | 35 |
| 23. CHECKS | 37 |
| 24. SERVICING | 37 |

2. SAFETY INFORMATION

Due to high temperatures, the appliance should be located out of traffic and away from furniture and draperies.

Children and adults should be alerted to the hazards of high surface temperatures and should stay away to avoid burns or clothing ignition.

Young children should be carefully supervised when they are in the same room as the appliance.

Clothing or other flammable material should not be placed on or near the appliance.

WARNING: Do not operate the appliance with the glass front removed, cracked or broken. Replacement of the glass should be done by a licensed or qualified service person. (The whole window unit may be temporarily removed by the owner for cleaning the interior of the firebox, etc.) Only the authorized Valor replacement window unit listed in the repair parts booklet must be fitted - never use substitutes. If the glass is damaged search inside and adjacent to the appliance for any glass fragments.

This appliance must be installed and repaired by a qualified service person.

The appliance should be inspected before use and at least annually by a professional service person. More frequent cleaning may be

required due to excessive lint from carpeting, bedding material, etc. It is imperative that control compartments, burners and circulating air passageways of the appliance are kept clean.

Keep curtains, clothing, furniture and other flammable materials a safe distance from all parts of the appliance and its vent system.

Keep the appliance area well clear and free from combustible materials, gasoline and other flammable vapors and liquids.

Never attempt to burn paper or any other material in the appliance.

The vent terminal on the outside wall must be kept free from obstructions. No objects should be placed within 2 feet (60cm) of the vent terminal. The terminal is hot during operation and requires a guard if it is accessible to any person. An approved Valor guard is available from your dealer.

During extreme weather conditions ensure that the vent outlet is free from ice and snow before attempting to light.

Do not use this appliance if any part has been under water. Immediately call a qualified service technician to inspect the appliance and to replace any part of the control system and any gas control, which has been under water.

NOTE

When operating your new fireplace for the first time, some vapors may be released which may cause a slight odor and could possibly set off any smoke detection alarms in the immediate vicinity. These vapors are quite normal on new appliances. They are totally harmless and will disappear after a few hours use. If they do persist, contact your qualified service dealer for advice

3. OPTIONS

Front Options

One of the following approved alternative fronts must be used on a complete unit.

- #811SFB Standard Front Black
- #812SFC Standard Front Champagne.
- #830SFE Standard Front Etched
- #820FFB Four Sided Front Black
- #813CFB Cast Metal Front Black
- #814CFE Cast Metal Front Etched

Note: The unit must not be operated without one of the approved fronts fitted.

Additional Options

The following additional options are available for this appliance. For full details of these kits contact your supplier

#810 CFK Circulating Fan Kit.

Operated by a variable speed controller, it is designed to boost the natural convection process through the appliance. It may be fitted before the fireplace is installed or retrofitted at a later date.

#816BBK Base Bricks Kit.

Designed to be placed at sides and front of the logs, the ceramic bricks replicate the look of a traditional fireplace base. They may be fitted when the fireplace is installed or added later.

#835TG Vent Terminal Guard

For guarding the outside vent terminal. The vent terminal becomes very hot when the appliance is in use and can cause burns. When the terminal is accessible, The guard should be fitted over the terminal to prevent damage and to prevent it being touched.

#CON6 Gas Conversion Kit

For converting LP Gas model 837AP to Natural Gas model 837AN. *Be aware that conversion to natural gas is not permissible if the horizontal duct run is more than 2ft. unless the vertical duct rise is at least 4ft.*

Be aware also that, for all permissible installations with vertical rise and horizontal termination, access to the vent duct at back of the appliance will be necessary for correct installation of this conversion kit.

Venting options

A comprehensive range of venting accessories is available to suit a wide scope of appliance locations. The details are given in the Location section of this manual.

4. GENERAL

This appliance is certified by International Approval Services as a direct vent wall furnace, (ANSI Z21.44 and CAN1 2.19) for use in Canada and the USA. The appliance is for installation directly venting through an outside wall. This appliance is for use only with the type of gas indicated on the rating plate.

The installation must conform with local codes or, in the absence of local codes, to the current CAN/CGA-149.1 installation code in Canada or the current National Fuel Gas Code, ANSI Z223.1 in the USA. Only qualified licensed or trained personnel should install the appliance.

Ratings

| | 837AN | 837AP |
|---------------------------------|---------|-------|
| Altitude (Ft) | 0-4500* | |
| Input Max. (Btu/h) | 27000 | 26000 |
| Input Min (Btu/h) | 9500 | 11500 |
| Manifold pressure (in.w.c.) | 4.1 | 9.3 |
| Min. Supply pressure (in. w.c.) | 5 | 11 |

*Tested to CAN/CGA - 2.17 (Gas fired appliances for use at high altitude). In the USA installations may require deration over 2000ft - Check local codes.

5. LOCATION AND FRAMING REQUIREMENTS

5.1 General

- A hearth or support shelf is required on all installations using a three-sided front, (model # 811SFB, 812SFC, 813CFB, 814CFE AND 830SFE.

This is required to support the above fronts and may be made from either combustible or non-combustible materials. It must be solidly fixed to the wall or floor at the required elevation to enable it to support the front in the proper position.

WARNING: Failure to provide correct support for the front will interfere with the fit of the front and the operation of the controls.

- The unit should not be fastened to the framing without an allowance for wall finish thickness - see section 7.
- Note the difference between the overall front trim size and the framing opening to ensure the front trim will cover the opening.
- Any framing construction above the appliance case behind the front frame must be clear of the top standoffs. The top standoffs are higher than the front frame.

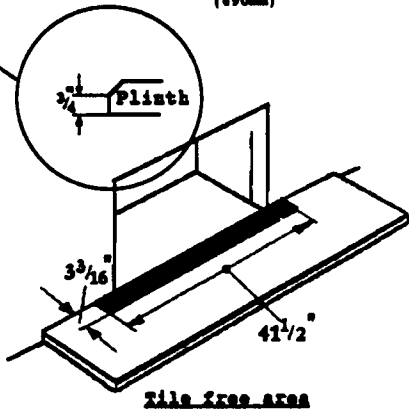
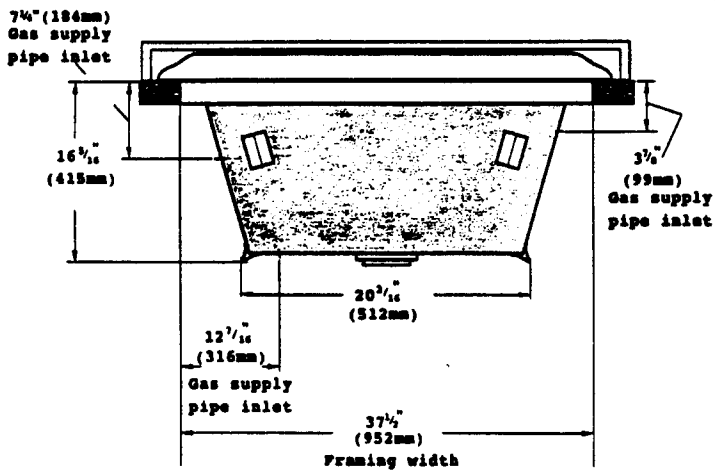
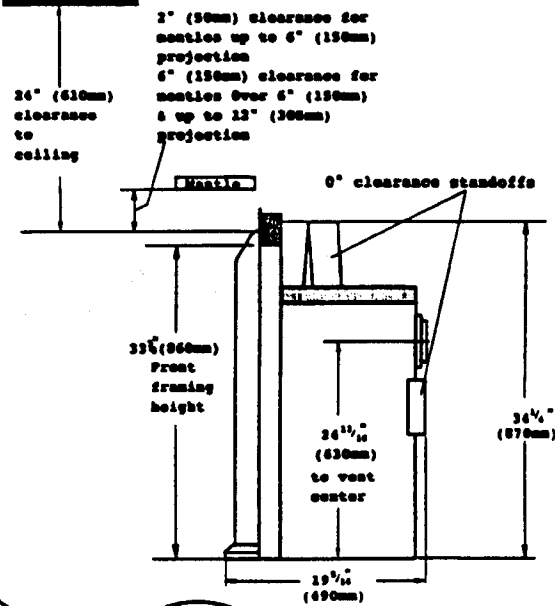
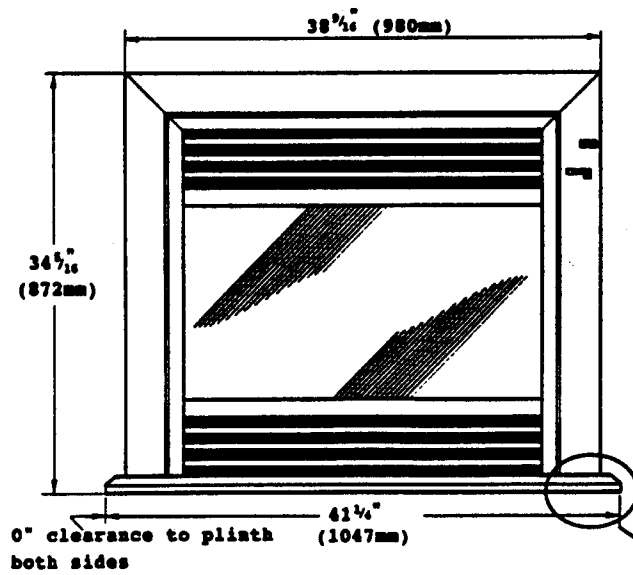
For detailed diagrams see the following pages:

Standard Front - page six

Cast iron front - page seven

Four sided front - page eight

5.2 Standard Front



ALTERNATE DETAIL TO ACCOMMODATE A RECESSED PLINTH (SEE #4 BELOW)

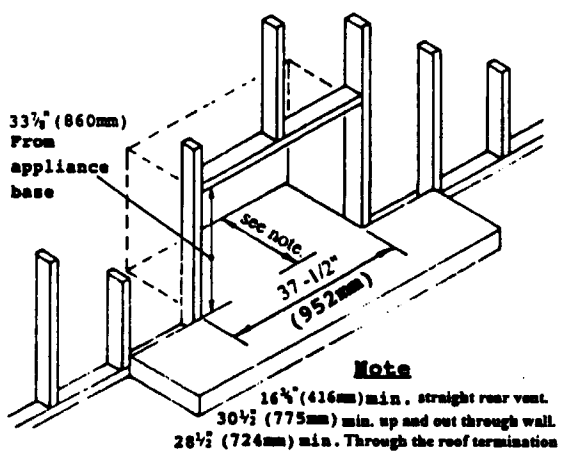
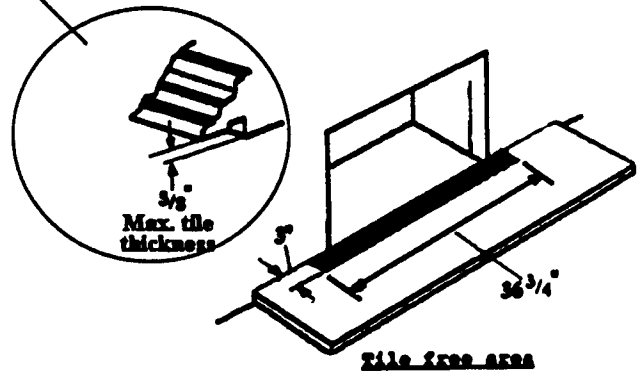
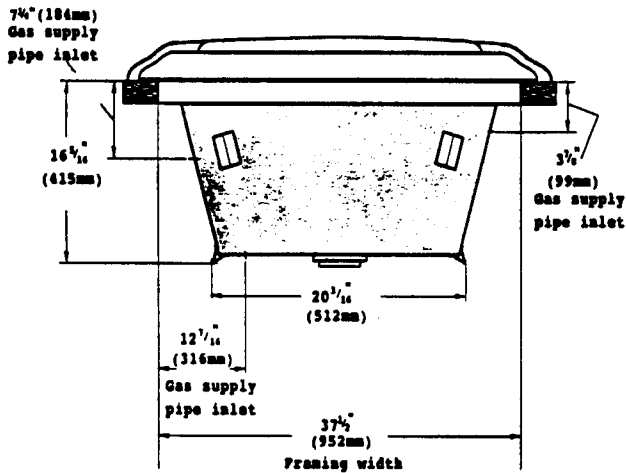
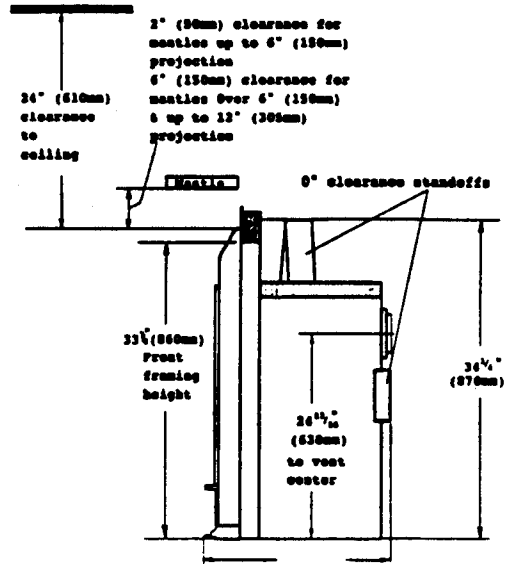
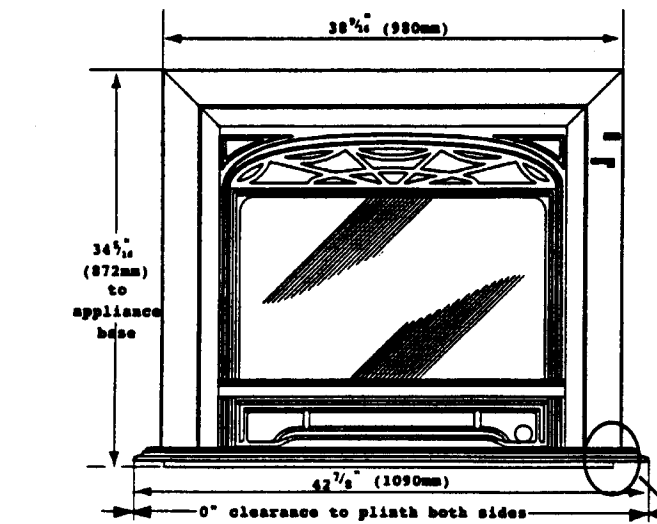


Figure 1. Standard Front Details

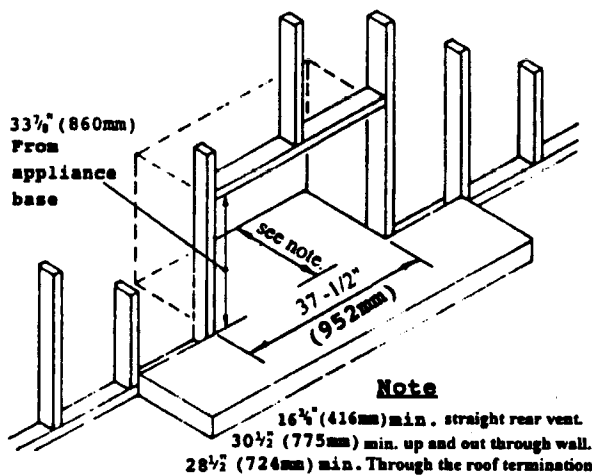
IMPORTANT

- 1) The unit should not be fastened to the framing without an allowance for wall finish thickness – see section 7.
- 2) Any framing construction above the appliance case behind the front frame must be clear of the top standoffs. The top standoffs are higher than the front frame.
- 3) Ensure that the base of unit is mounted at finished hearth height.
- 4) If a tiled hearth is desired which will have its surface above the base of the appliance plinth, leave the area shown above free of tiles to accommodate the plinth. **Note:** that the area free of tiles is slightly larger than the plinth. This is to allow removal of the front unit for cleaning and servicing.

5.3 Cast Metal Front



ALTERNATE DETAIL FOR RECESSED PLINTH (SEE #3 BELOW)



IMPORTANT

- 1) The unit should not be fastened to the framing without an allowance for wall finish thickness - see section 7.
- 2) Any framing construction above the appliance case behind the front frame must be clear of the top standoffs. The top standoffs are higher than the front frame.
- 3) Ensure that the unit is mounted at finished hearth height. If a tiled hearth is desired which will have its surface above the base of the appliance, leave the area shown above free of tiles to accommodate the plinth.

Figure 2. Cast Metal Front Details

5.4 Four Sided front

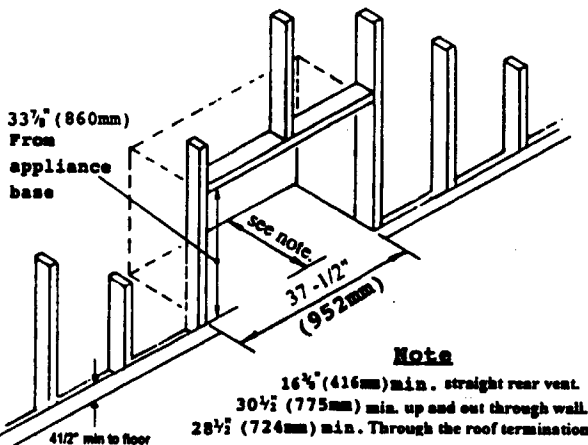
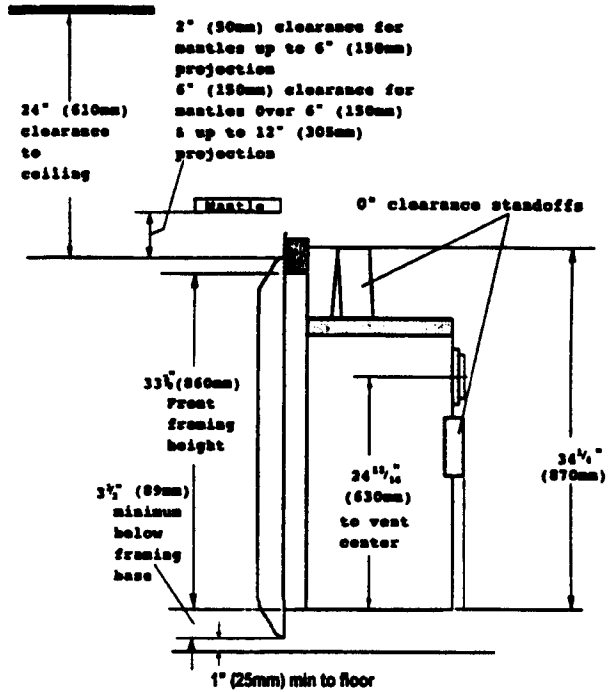
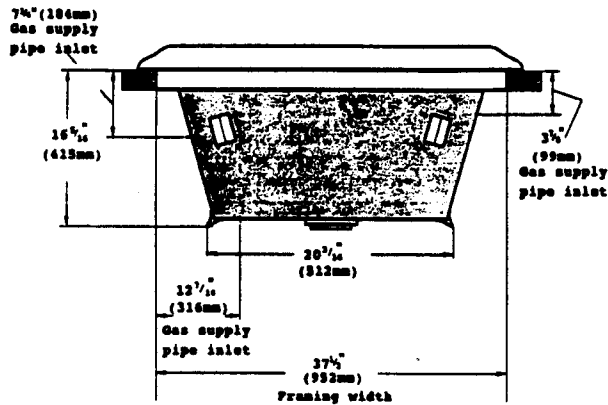
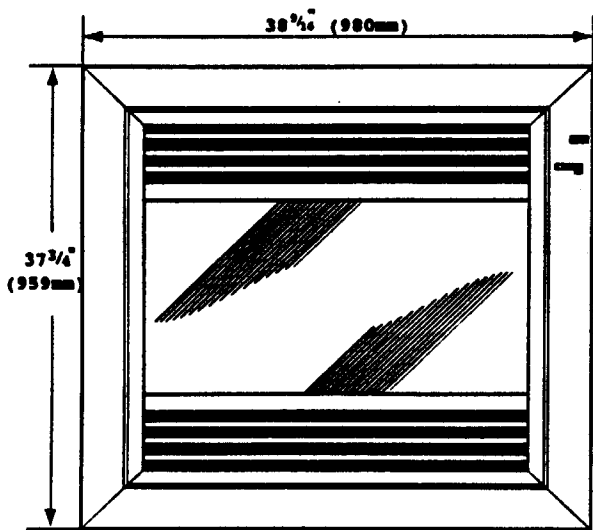


Figure 3. Four sided details

IMPORTANT

- 1) The appliance dimensions, framing dimensions and clearances to combustible materials are shown in this diagram. Be sure to allow for the finished face when setting the frame depth
- 2) The surface on which the appliance rests inside the fireplace framing must be higher than the finished floor surface in the room.
- 3) Any framing construction above the appliance case behind the front frame must be clear of the top standoffs. The top standoffs are higher than the front frame.
- 4) No hearth or support shelf required for the four-sided front.

6. APPLIANCE PREPARATION

6.1. Detach the window unit by releasing three toggle catches at the top and lifting the window clear (figure 4)

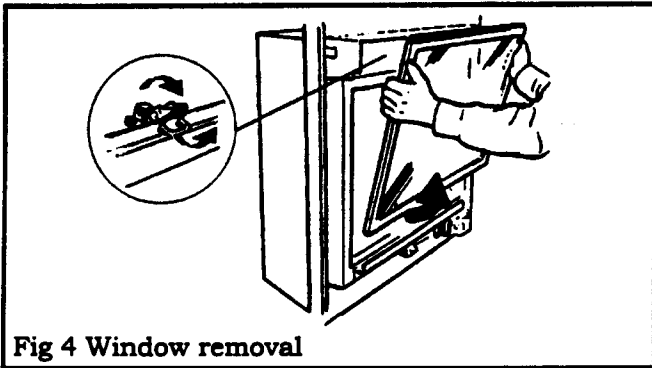


Fig 4 Window removal

6.2 Take the ceramic logs out of the firebox and store safely.

6.3 Check ignition spark

Before attempting to install, it is worth checking that the electronic ignition system performs satisfactorily.

6.3.1 Fit the battery to the ignition block located below the firebox (see figure 5).

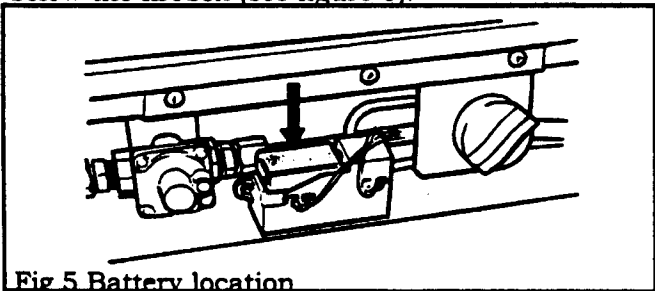


Fig 5 Battery location

6.3.2 Swing the igniter bar fully to the right. Push the bar fully down to close the lower microswitch completing the ignition circuit (Fig. 14).

Sparks should track from the electrode pin to the pilot burner (Fig. 6).

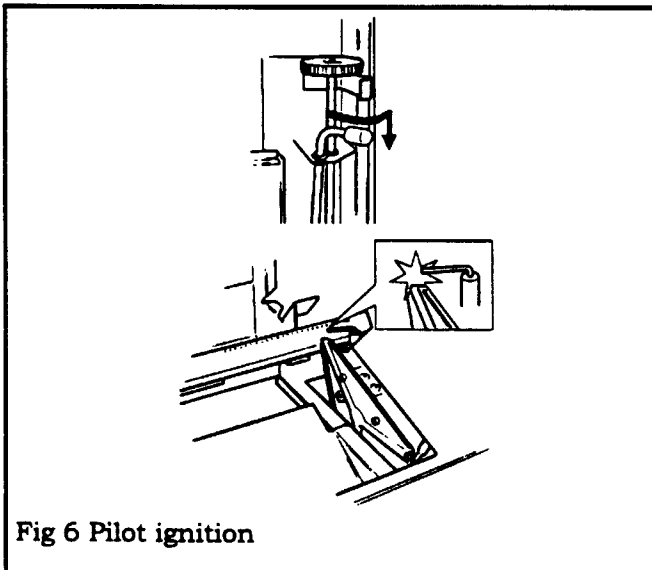


Fig 6 Pilot ignition

If there are no sparks make the following checks.

- Check condition of battery and that it is correctly fitted.
- Check spark gap between electrode wire and pilot burner tip. The gap should be $\frac{1}{8}$ " (3mm) minimum, $\frac{5}{32}$ " (4mm) maximum.
- If a & b are satisfactory, check the battery, ignition circuit and components.

6.4 Bend the two case top standoffs and fit them to the top of the case with the #8 thread cutting screws (four screws per standoff) (Fig. 7).

! Warning: Failure to install the standoffs may result in a fire hazard.

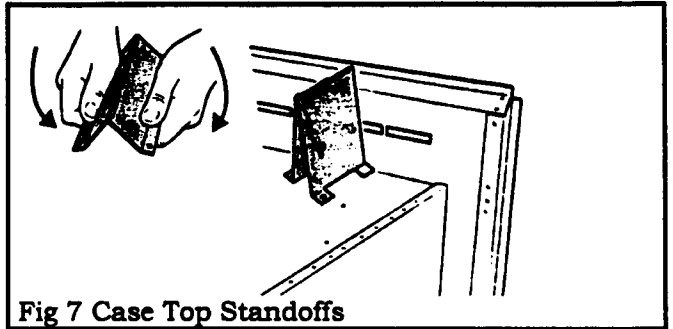


Fig 7 Case Top Standoffs

6.5 Bend the two case rear corner standoffs. Fit them to the rear corners of the case with the #8 thread cutting screws provided (four screws per standoff) (Fig. 8)

! Warning: Failure to install the standoffs may result in a fire hazard.

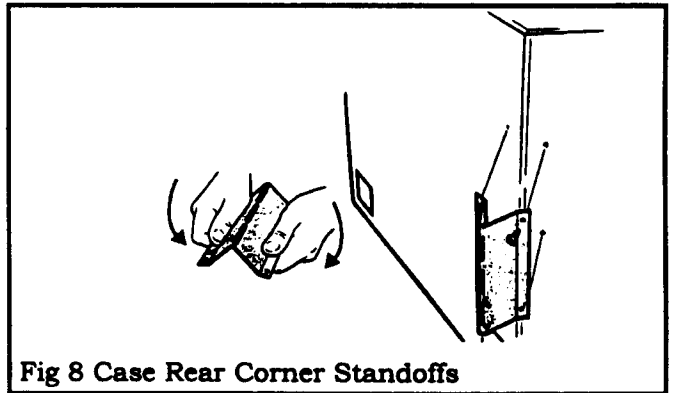


Fig 8 Case Rear Corner Standoffs

6.6 Fit the two vent pipe securing brackets to the appliance back. Fix through the long slotted leg of each bracket with #6 thread-cutting screws (Fig. 9)

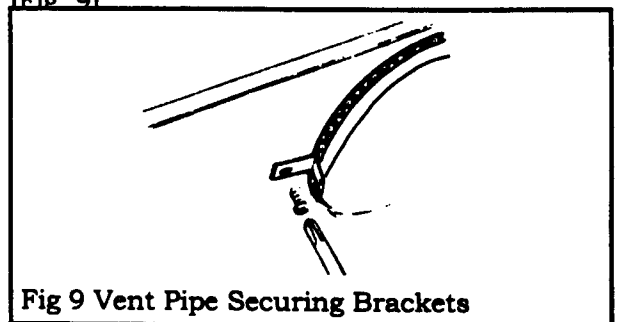


Fig 9 Vent Pipe Securing Brackets

6.7 Fit the two insulation pads on the top of the case with the top standoffs protruding (Fig. 10).

! Warning: Failure to install the insulation pads may cause a fire hazard and voids warranty.

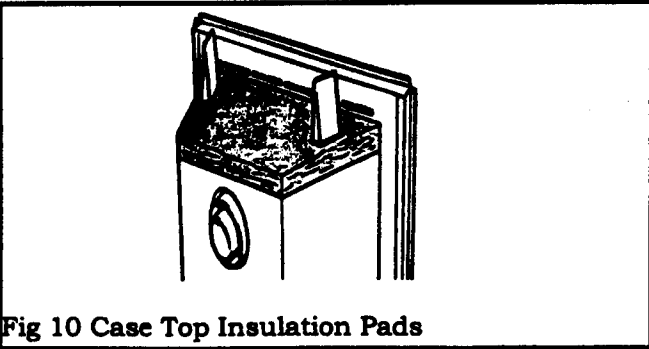


Fig 10 Case Top Insulation Pads

6.8 Place the firebox base cover in position (Fig. 11) – ensure that the front lip is located under the rivets

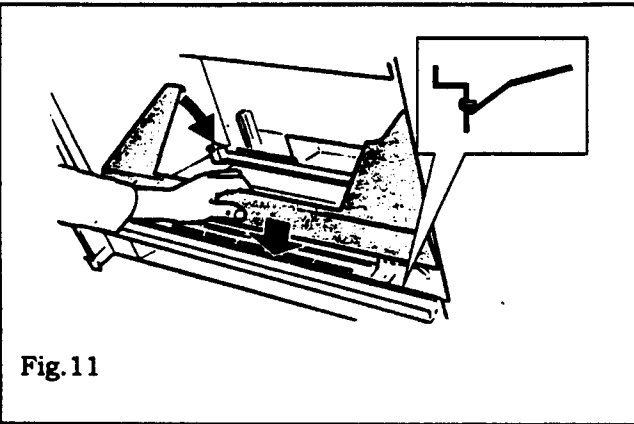


Fig.11

INSTALLATION TO FRAMING

CRITICAL DETAIL:

Framing and all wall finishes must be installed behind the outer casing flanges. When installing, ensure that adequate space is left between the flanges and the framing for wall finishes to be installed. I.e. ½" drywall plus ½" ceramic tile or marble = 1". **YOU WILL LIKELY NEED TO READJUST THE UNIT BACK TO ACCIVE A TIGHT FIT ONCE THE WALL FINISHES HAVE INSTALLED. (SEE FIG.11A)**

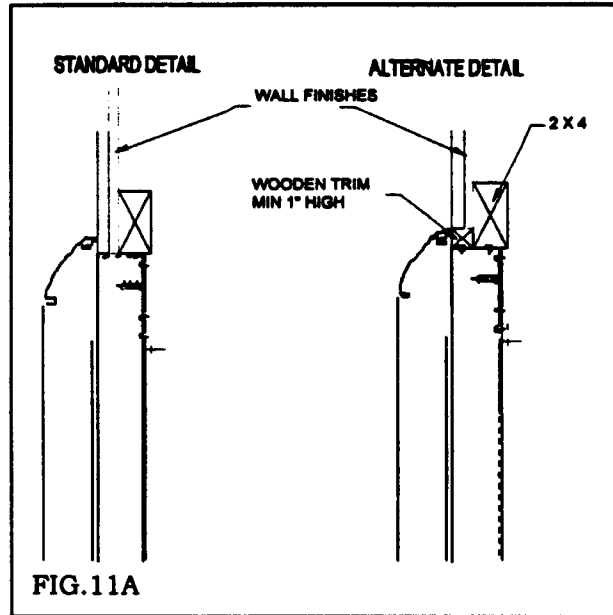


FIG.11A

Secure the appliance to the sides of the framing through the slots near the top corners using the wood screws provided (Fig. 12). The slots allow adjustment of the appliance.

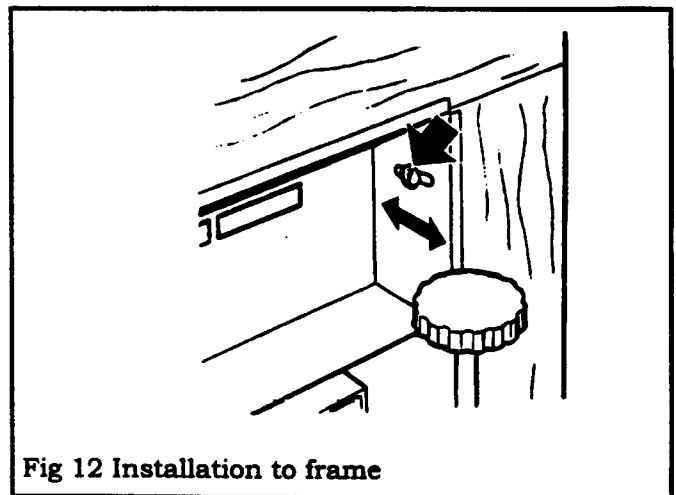


Fig 12 Installation to frame

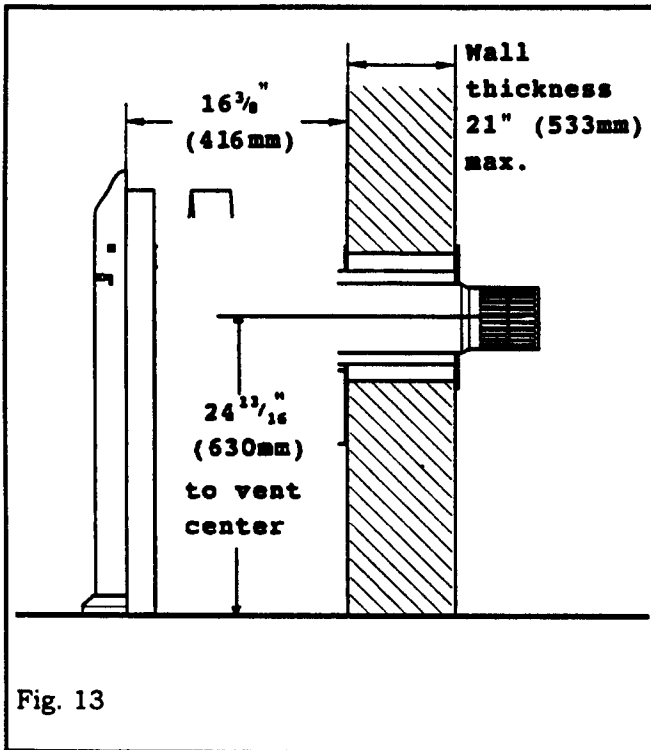
8. VENTING CONFIGURATIONS WITH NO VERTICAL RISE

8.1 Valor termination

The location of the standard appliance using the vent unit supplied with the appliance is shown in figure 13.

No additional venting accessories are required with this configuration.

The horizontal vent run can not be extended by the use of any vent accessory pipes.



8.1.1 Solid non-combustible walls

If the wall is constructed of solid non-combustible materials and has no combustible surface cladding (including wood) inside or outside the vent shield tube and wall plates will not be required.

8.1.1.1 Cut a round whole 6 5/8" diameter. Figure 1 gives center height if no vertical rise. Figure 3 gives center distance from wall for corner installation.

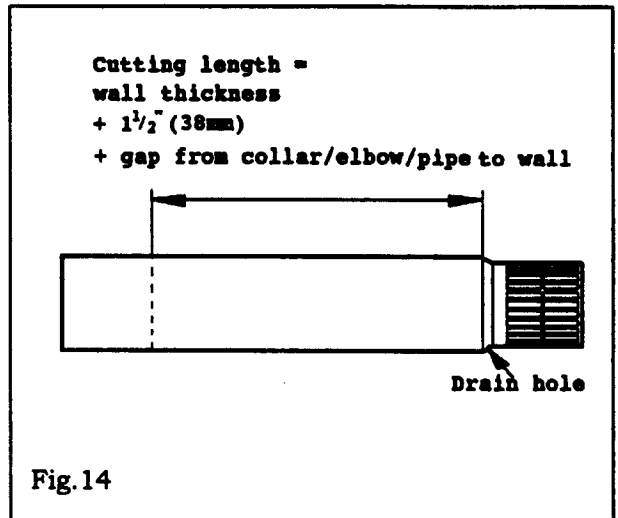
8.1.1.2 Measure the wall thickness.

Add 1 1/2" (38mm) for overlap into appliance collars.

If appliance is not going to touch the wall, add distance from case rear corner standoffs to wall. Measure this total length along the vent unit from where the termination cap joins the main terminal pipes. Mark the unit. Insert the Styrofoam support ring and push it as close as possible to the marked position.

Cut the vent terminal pipe unit to size (Fig. 14). Cut the vent tubes squarely to length.

Important! The drain hole must be clearly outside the wall. Make sure that all Styrofoam is removed from the vent unit after cutting.



8.1.1.4 Drill through the holes in the vent securing brackets into the outer tube and appliance outer collar for #6 screws. *Make sure that the drill does not penetrate the inner tubes.*

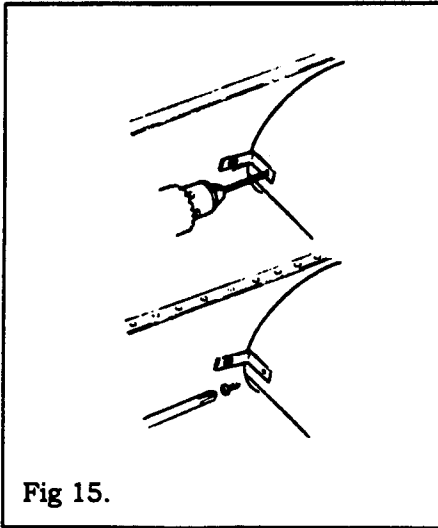


Fig 15.

Secure the vent unit to the brackets with two #6 thread cutting screws supplied (As fig. 15).

8.1.1.5 Slide the appliance into its proper position while inserting the vent unit through the wall. Slope the vent terminal unit very slightly down towards the outside so that any rain or condensation will drain out.

8.1.1.6 The outer vent pipe should be sealed to the wall using standard silicone caulking.

8.1.2 Combustible walls

8.1.2.1 Cut a rectangular hole 11" x 11" (280mm x 280mm).

The hole position should be located as shown in fig. 16.

The bottom of the hole must be 5 1/8" (130mm) below the center of the vent tubes.

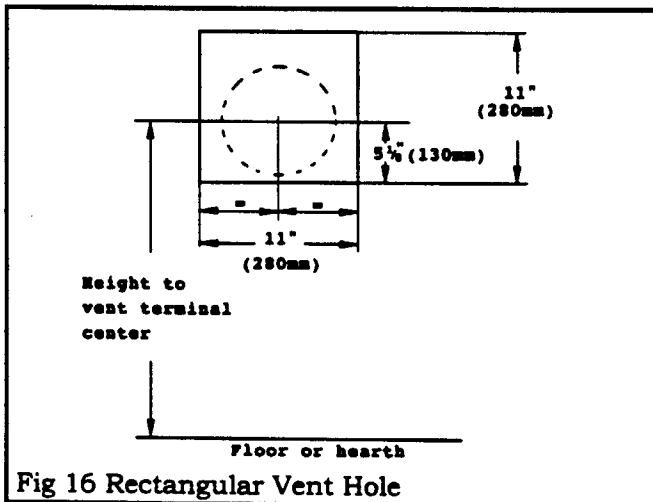


Fig 16 Rectangular Vent Hole

8.1.2.2 Place the inner wall plate on the inside wall. Make sure that the plate is the correct way up (it is marked "top"). The side flanges should enter the hole. Mark the four fixing holes on the wall. Remove the plate. Plug the wall. Replace the plate and fix with four wood screws provided. (Fig. 17).

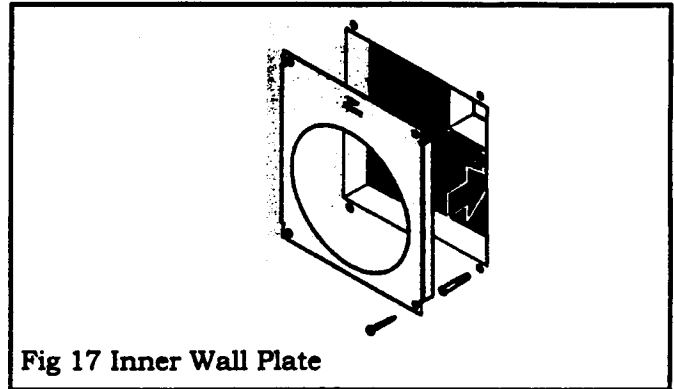


Fig 17 Inner Wall Plate

8.1.2.3 Prepare the vent shield tube (Fig. 18). The tube is supplied coiled around the vent terminal unit.

8.1.2.4 Measure the wall thickness.

8.1.2.5 Flatten the vent shield tube. Cut to the total wall depth + 1" (25mm).

8.1.2.6 Form the shield into a tube with the two outer rows of holes aligned. Fasten using the #10 bolts and nuts provided with the bolt heads outside.

8.1.2.7 Fit the three shield tube spacers inside the tube approximately half way along the tube length. Use two thread-cutting screws for each spacer. Locate the screws through a pair of holes in each of the three rows of holes the screw heads should be on the outside of the tube.

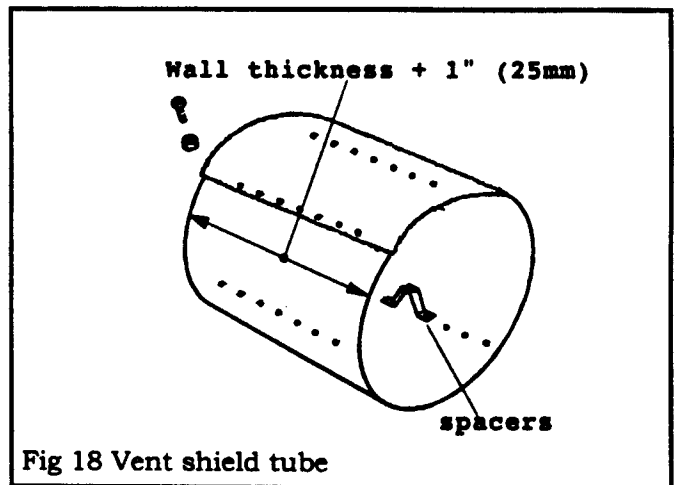
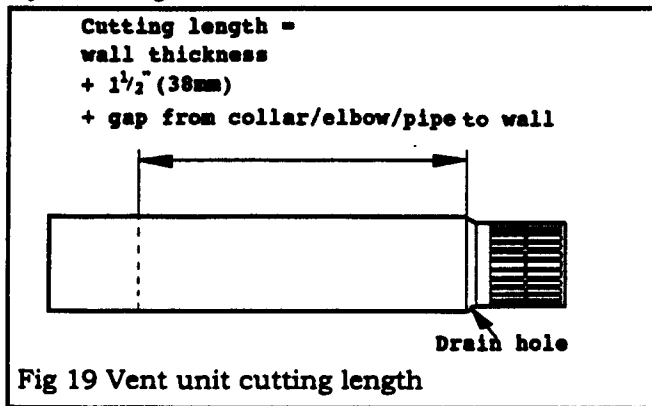


Fig 18 Vent shield tube

8.1.2.8 Measure the wall thickness.
Add 1½" (38mm) for overlap into appliance collars.

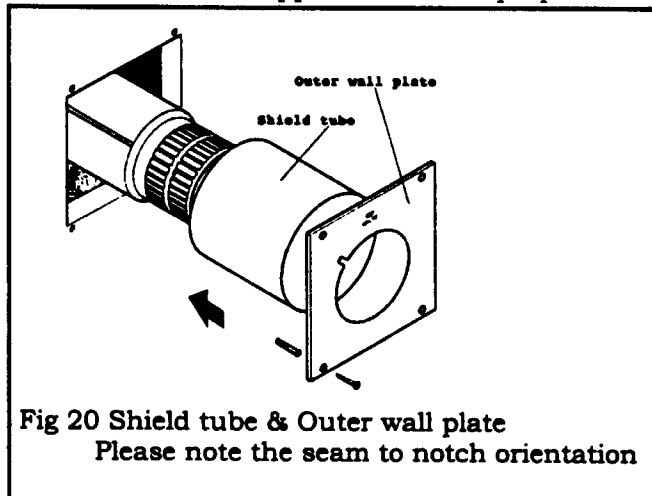
If appliance is not going to touch the wall, add distance from case rear corner standoffs to wall. Measure this total length along the vent unit from where the termination cap joins the main terminal pipes. Mark the unit. Insert the Styrofoam support ring and push it as close as possible to the marked position. Cut the vent terminal pipe unit to size (Fig. 19). Cut the vent tubes squarely to length. *Important! The drain hole must be clearly outside the wall. Make sure that all Styrofoam is removed from the vent unit after cutting.*



8.1.2.9 Fit the vent unit fully over the appliance inlet and outlet collars pushing on firmly. *Make sure that the drain hole is at the bottom – the seam will be through the notch in the outer wall plate see fig. 20.*

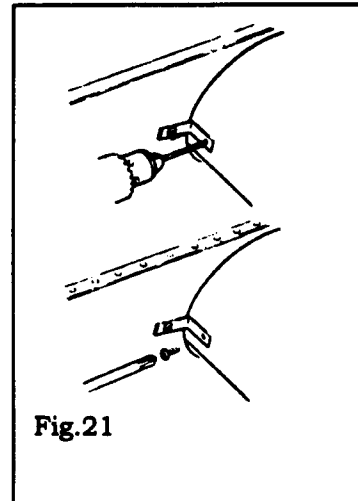
8.1.2.11 Drill through the holes in the vent securing brackets into the outer tube and appliance outer collar for #6 screws. *Make sure that the drill does not penetrate the inner tubes.* Secure the vent unit to the brackets with two #6 thread cutting screws supplied (As fig. 21).

8.1.2.12 Slide the appliance into its proper



position while inserting the vent unit through the wall. Slope the vent terminal unit very slightly down towards the outside so that any rain or condensation will drain out.

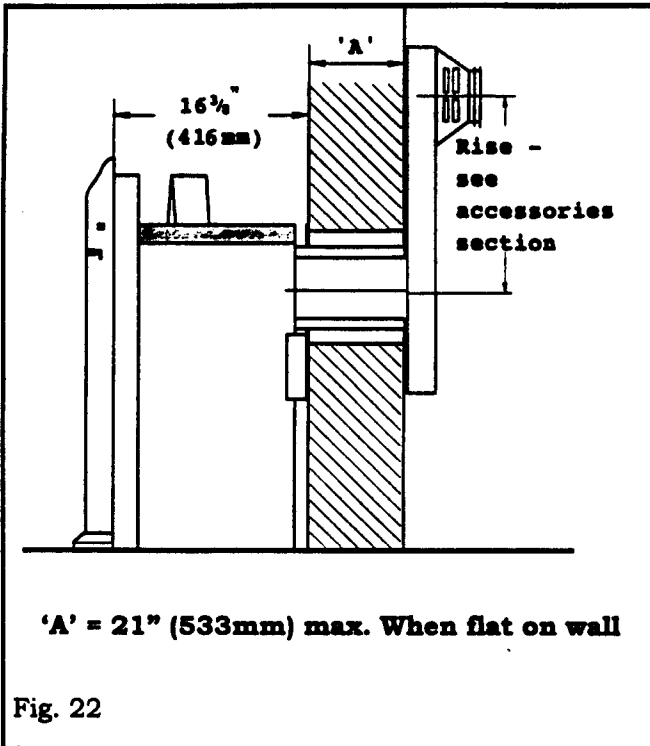
8.1.2.13 Place the outer wall plate over the vent pipe outside the wall and against the wall surface. Be sure that it is the correct way up. Mark the wall through the four holes. Drill and plug the wall at the marks. Secure the plate to the wall with the screws provided. The vent shield tube should touch the inner surface of the plate (Fig. 20).



8.1.2.14 To ensure a water tight seal, we advise that the wall plate is caulked to the wall and the outer vent tube is caulked to the wall plate using standard silicone sealant, not supplied.

8.2 With snorkel termination

For use on horizontal vent installations where the outside ground level is too close to the standard terminal. A Legend Ultra vent adapter, Dura-vent pipe length and snorkel termination will be required (See vent accessories section of this manual). The vent unit supplied with the appliance is not used.



8.2.1 Solid non-combustible walls

If the wall is constructed of solid non-combustible materials and has no combustible surface cladding (including wood) inside or outside the vent shield tube and wall plates will not be required.

8.2.1.1 Cut a round whole $6\frac{5}{8}$ " diameter. Figure 1 gives center height if no vertical rise.

8.2.1.2 Measure the wall thickness.

If appliance is not going to touch the wall, add distance from case rear corner standoffs to wall. This total length of vent required.

8.2.1.3 Fit the required length of Simpson DuraVent pipe to the snorkel termination and rotate to lock in place.

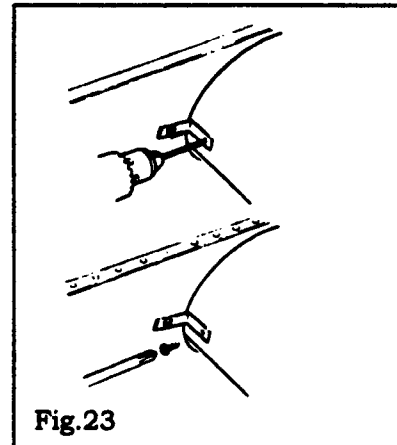
8.2.1.4 Push the vent tube through the hole in the wall and fix the snorkel termination to the outside wall. Seal around the perimeter of the snorkel terminal to give a water tight seal.

8.2.1.5 Fit the 817VAK to the vent tube, rotate to lock in position.

8.2.1.6 Slide the appliance into position ensuring that the inlet and outlet collars are correctly located on the appliance flue collars.

8.2.1.8 Drill through the holes in the vent securing brackets into the outer tube and appliance outer collar for #6 screws. *Make sure that the drill does not penetrate the inner tubes.*

8.2.1.9 Secure the vent unit to the brackets with two #6 thread cutting screws supplied (As fig. 23).

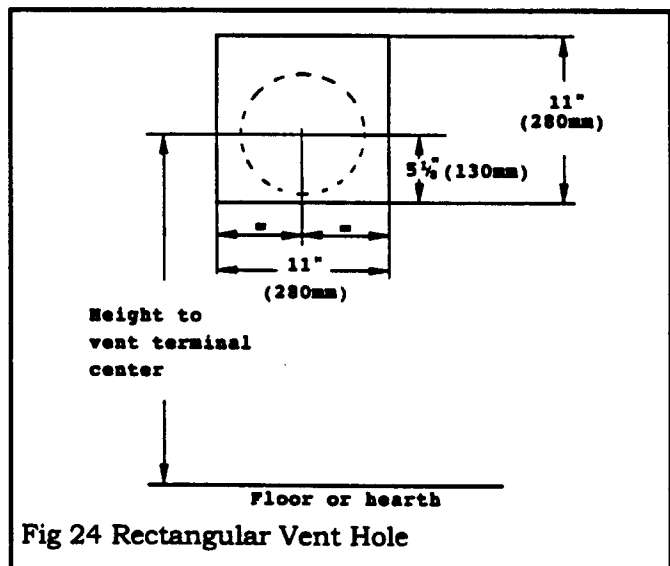


8.2.2 Combustible walls

8.2.2.1 Cut a rectangular hole 11" x 11" (280mm x 280mm).

The hole position should be located as shown in fig. 24.

The bottom of the hole must be $5\frac{1}{8}$ " (130mm) below the center of the vent tubes.



8.2.2.2 Place the inner wall plate on the inside wall. Make sure that the plate is the correct way up (it is marked "top"). The side flanges should enter the hole. Mark the four fixing holes on the wall. Remove the plate. Plug the wall. Replace the plate and fix with four wood screws provided. (Fig. 25).

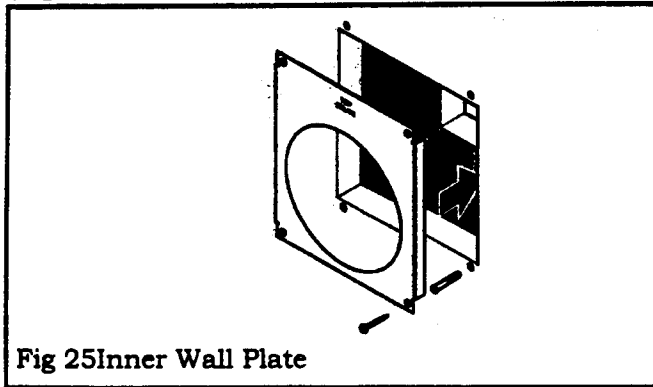


Fig 25 Inner Wall Plate

8.2.2.3 Prepare the vent shield tube (Fig. 26). The tube is supplied coiled around the vent terminal unit.

8.2.2.4 Measure the wall thickness.

8.2.2.5 Flatten the vent shield tube. Cut to the total wall depth + 1" (25mm).

8.2.2.6 Form the shield into a tube with the two outer rows of holes aligned. Fasten using the #10 bolts and nuts provided with the bolt heads outside.

8.2.2.7 Fit the three shield tube spacers inside the tube approximately half way along the tube length. Use two thread-cutting screws for each spacer. Locate the screws through a pair of holes in each of the three rows of holes the screw heads should be on the outside of the tube.

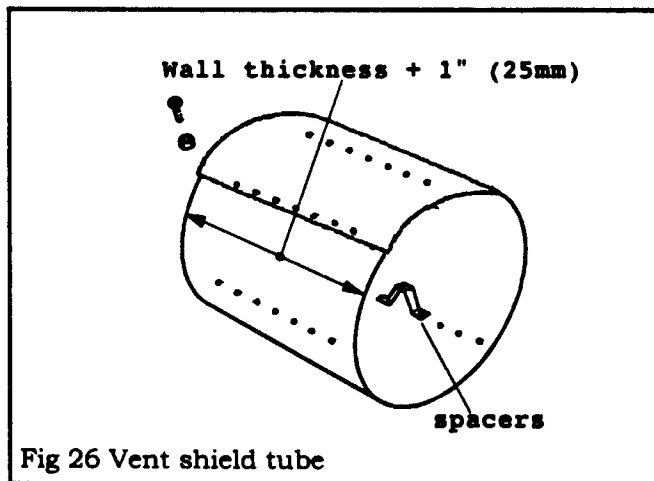


Fig 26 Vent shield tube

8.2.2.8 Measure the wall thickness.

If appliance is not going to touch the wall, add distance from case rear corner standoffs to wall. This total length of vent required.

8.2.2.9 Place the required vent tube inside the shield tube. Place the outer wall plate over the vent pipe outside the wall and against the wall

surface. Be sure that it is the correct way up. Mark the wall through the four holes. Drill and plug the wall at the marks. Secure the plate to the wall with the screws provided. The vent shield tube should touch the inner surface of the plate (Fig. 27).

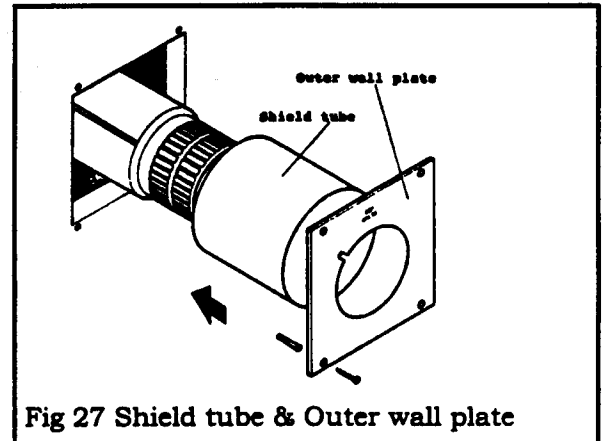


Fig 27 Shield tube & Outer wall plate

8.2.2.10 To ensure a water tight seal, we advise that the wall plate is caulked to the wall and the outer vent tube is caulked to the wall plate using standard silicone sealant, not supplied.

8.2.2.11 Fit the required length of Simpson DuraVent pipe to the snorkel termination and rotate to lock in place.

8.2.2.12 Push the vent tube through the hole in the wall and fix the snorkel termination to the outside wall. Seal around the perimeter of the snorkel terminal to give a water tight seal.

8.2.2.13 Fit the 817VAK to the vent tube, rotate to lock in position.

8.2.2.14 Slide the appliance into position ensuring that the inlet and outlet collars are correctly located on the appliance flue collars.

8.2.2.15 Drill through the holes in the vent securing brackets into the outer tube and appliance outer collar for #6 screws. *Make sure that the drill does not penetrate the inner tubes.*

8.2.2.16 Secure the vent unit to the brackets with two #6 thread cutting screws supplied (As fig. 28).

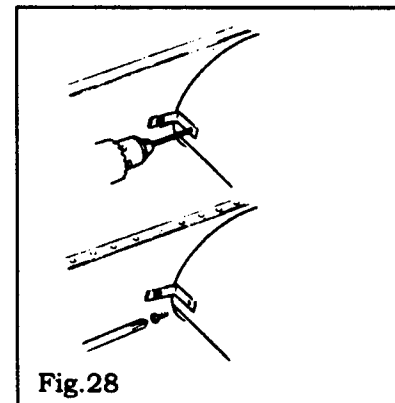


Fig. 28

9. HORIZONTAL THROUGH THE WALL TERMINATIONS WITH VERTICAL RISE

9.1 Valor Termination

A Legend Ultra vent adapter (#817VAK), air restrictors (#819ARK), two 90° vent elbows (#SD990B) and Dura-vent pipe lengths will be required (See vent accessories section of this manual).

No more than two 90° elbows must be used and the elbow must go directly on the unit i.e. no horizontal extension prior to the elbow

The permissible venting configurations are shown in fig.29 and 30.

Please note that the air restrictors are placed in the flue system.

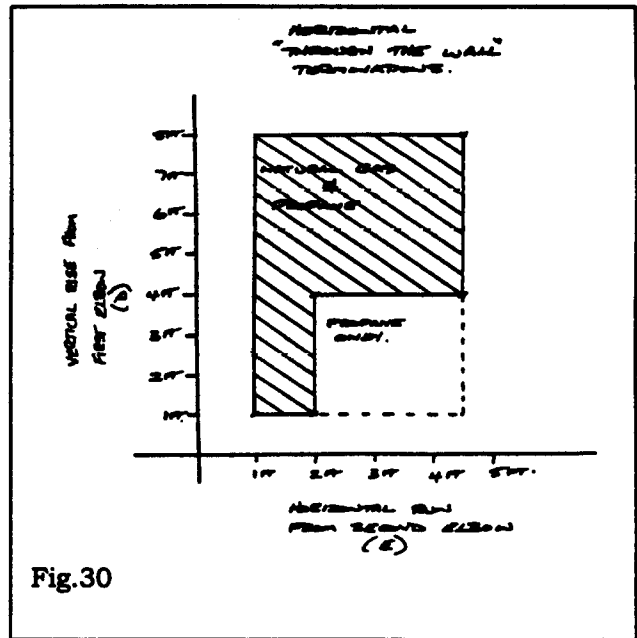
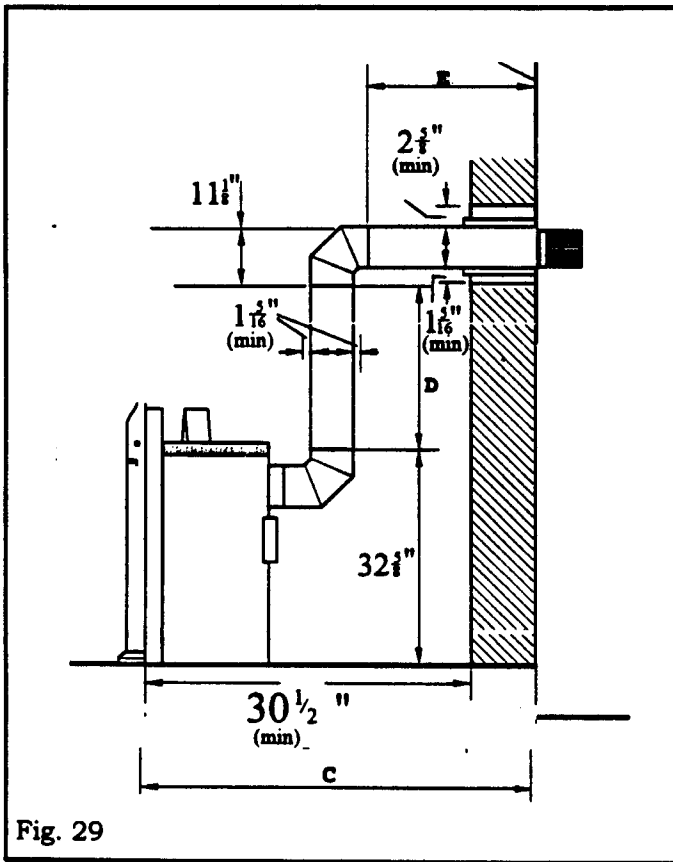


Fig.30

Corner location (Fig. 31)

Corner locations can be achieved using the vent accessories required for vertical vent rise with horizontal termination (see Fig 29.) Dimensional requirements are shown in (Fig 31.)

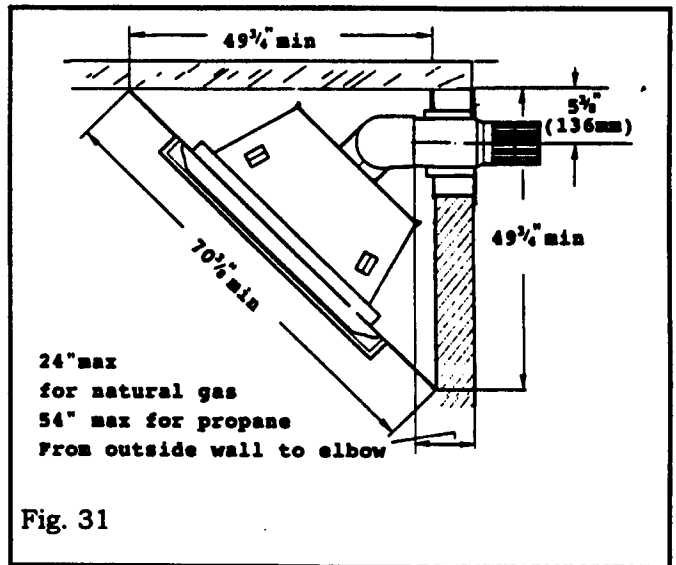


Fig. 31

9.1.1 Solid non-combustible walls

If the wall is constructed of solid non-combustible materials and has no combustible surface cladding (including wood) inside or outside the vent shield tube and wall plates will not be required.

9.1.1.1. Place the appliance in its proper position.

9.1.1.2 On Natural gas appliances insert the square metal restrictor (Fig.32 type "b") into the vent adapter, before fitting the vent adapter (817VAK) to the appliance. The disc is supplied with kit #819ARK.

Propane installations with horizontal termination do not use a metal restrictor disc.

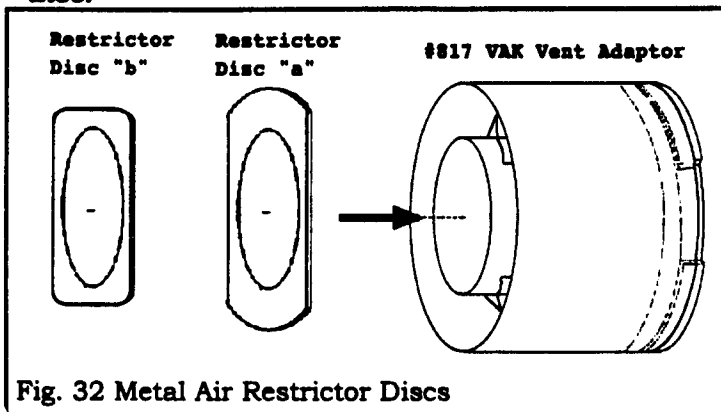


Fig. 32 Metal Air Restrictor Discs

9.1.1.3 Fit vent accessory elbows and pipe lengths as required. Fiber restrictor disks must be fitted at the joints of the Dura-vent vertical pipes as shown in the following table. **Be aware that, for Natural gas installations the maximum allowable vertical rise depends on the horizontal run length - See fig. 30 on page 16.**

| <u>Vertical rise</u> <u>("D" in figs 5 & 8)</u> | <u>Number of restrictor</u> <u>discs</u> |
|--|---|
| Less than 4ft (1.21m) | 0 |
| At least 4ft (1.21m) but less than 7ft (2.13m) | 1 |
| From 7ft (2.13m) to 8ft (2.44m). | 2 |

The fiber restrictor discs required supplied as part of kit #819ARK.

9.1.1.4 Cut a round hole $6\frac{5}{8}$ " diameter. Figure 1 gives center height if no vertical rise. **Figure 3** gives center distance from wall for corner installation.

9.1.1.5. Measure the wall thickness. Add $1\frac{1}{2}$ " (38mm) for overlap into appliance collars. If appliance is not going to touch the wall, add distance from case rear corner standoffs to wall. Measure this total length along the vent unit from where the termination cap joins the main terminal pipes. Mark the unit. Insert the

Styrofoam support ring and push it as close as possible to the marked position.

Cut the vent terminal pipe unit to size (Fig. 26). Cut the vent tubes squarely to length. **Important! The drain hole must be clearly outside the wall. Make sure that all Styrofoam is removed from the vent unit after cutting.**

9.1.1.6 Drill through the holes in the vent securing brackets into the outer tube and appliance outer collar for #6 screws. **Make sure that the drill does not penetrate the inner tubes.** Secure the vent unit to the brackets with two #6 thread cutting screws supplied (As fig. 33).

Feed the vent terminal pipe unit through from outside the wall. Insert the unit firmly into the end of the vent pipe system in the room. Secure with sheet metal screws. **Make sure that the drill does not penetrate the inner tubes.** Slope the vent terminal unit very slightly down towards the outside so that any rain or condensation will drain out. **Make sure that the drain hole is at the bottom- the seam will be through notch in outer wall plate see fig. ???.**

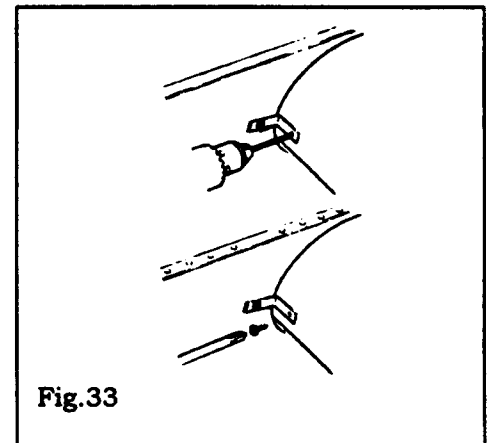


Fig.33

9.1.1.7 The outer vent pipe should be sealed to the wall using standard silicone caulking.

9.1.1.8 Remove the rear burner tube and fit the burner baffle plate **behind** the rear burner air deflector with three thread cutting screws supplied (Figure 33A). The baffle plate is supplied with kit #819ARK. Refit the rear burner

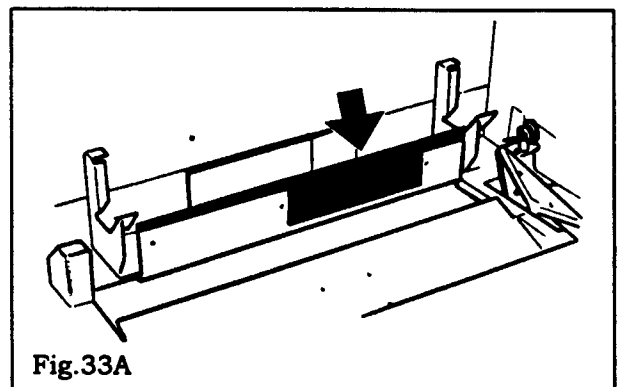


Fig.33A

9.1.2 Combustible wall

9.1.2.1 Place the appliance in its proper position.

9.1.2.2. On Natural gas appliances, insert the square metal restrictor (Fig.32 type "b") into the vent adapter, before fitting the vent adapter (817VAK) to the appliance. The disc is supplied with kit #819ARK.

Propane installations with horizontal termination do not use a metal restrictor disc.

9.1.2.3 Fit vent accessory elbows and pipe lengths as required. Fiber restrictor disks must be fitted at the joints of the Dura-vent vertical pipes as shown in the following table. **Be aware that, for Natural gas installations the maximum allowable vertical rise depends on the horizontal run length - See fig.30 on page 16.**

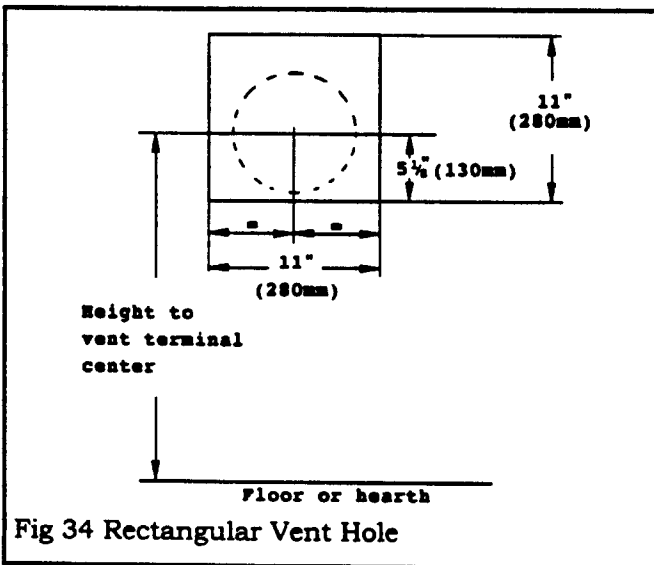
| <u>Vertical rise</u> <u>("D" in figs 5 & 8)</u> | <u>Number of restrictor</u> <u>disks</u> |
|--|---|
| Less than 4ft (1.21m) | 0 |
| At least 4ft (1.21m) but less than 7ft (2.13m) | 1 |
| From 7ft (2.13m) to 8ft (2.44m). | 2 |

The fiber restrictor discs required supplied as part of kit #819ARK.

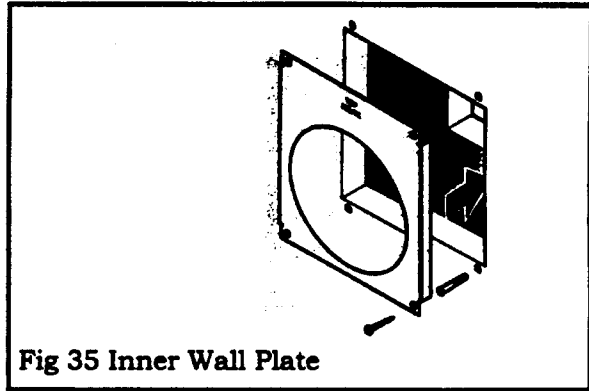
9.1.2.4 Cut a rectangular hole 11" x 11" (280mm x 280mm).

The hole position should be located as shown in fig. 34.

The bottom of the hole must be 5 1/8" (130mm) below the center of the vent tubes.



9.1.2.5 Place the inner wall plate on the inside wall. Make sure that the plate is the correct way up (it is marked "top"). The side flanges should enter the hole. Mark the four fixing holes on the wall. Remove the plate. Plug the wall. Replace the plate and fix with four wood screws provided. (Fig. 35).



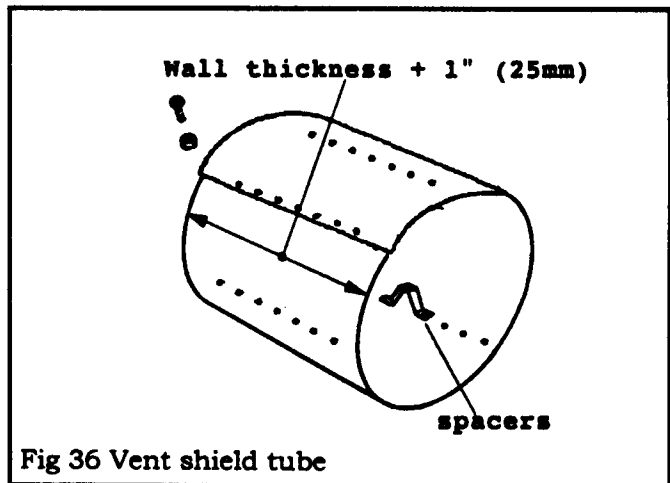
9.1.2.6 Prepare the vent shield tube (Fig. 36). The tube is supplied coiled around the vent terminal unit.

9.1.2.7. Measure the wall thickness.

9.1.2.9 Flatten the vent shield tube. Cut to the total wall depth + 1" (25mm).

9.1.2.10 Form the shield into a tube with the two outer rows of holes aligned. Fasten using the #10 bolts and nuts provided with the bolt heads outside.

9.1.2.11 Fit the three shield tube spacers inside the tube approximately half way along the tube length. Use two thread-cutting screws for each spacer. Locate the screws through a pair of holes in each of the three rows of holes the screw heads should be on the outside of the tube.



9.1.2.12 Measure the wall thickness. Add 1½" (38mm) for overlap into appliance collars.

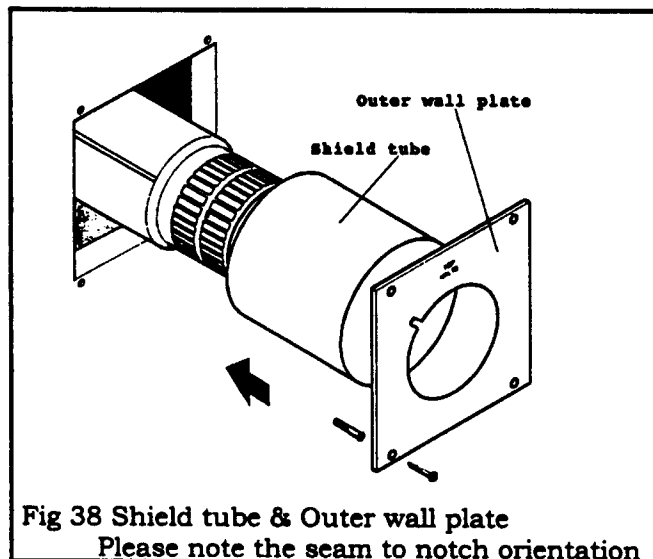
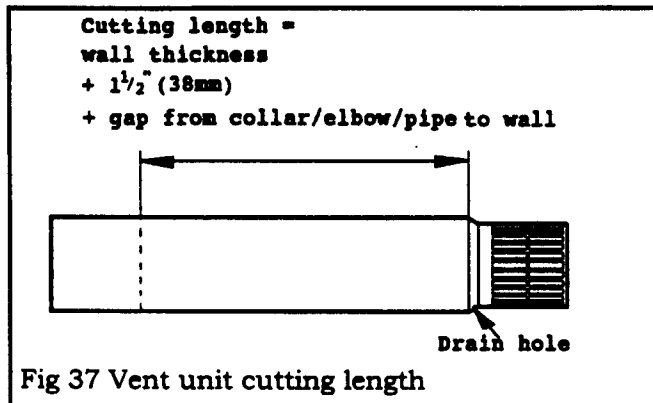
If appliance is not going to touch the wall, add distance from case rear corner standoffs to wall. Measure this total length along the vent unit from where the termination cap joins the main terminal pipes. Mark the unit. Insert the Styrofoam support ring and push it as close as possible to the marked position. Cut the vent terminal pipe unit to size (Fig. 37).

. Cut the vent tubes squarely to length.

Important! The drain hole must be clearly outside the wall. Make sure that all Styrofoam is removed from the vent unit after cutting.

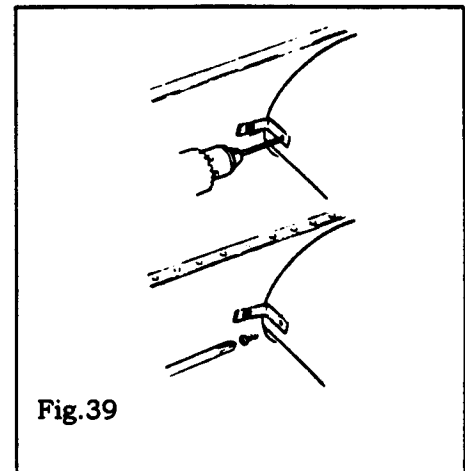
9.1.2.13 Fit the vent unit fully over the appliance inlet and outlet collars pushing on firmly. *Make sure that the drain hole is at the bottom – the seam will be through the notch in the outer wall plate see fig. 38.*

9.1.2.14 Drill through the holes in the vent securing brackets into the outer tube and appliance outer collar for #6 screws. *Make sure that the drill does not penetrate the inner tubes.* Secure the vent unit to the brackets with two #6 thread cutting screws supplied (As fig. 39).



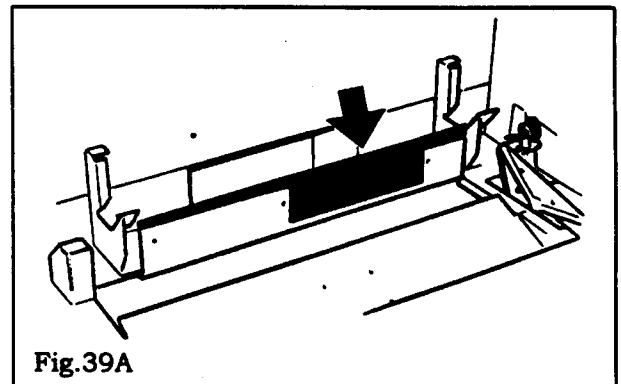
9.1.2.15 Feed the vent terminal pipe unit through from outside the wall. Insert the unit firmly into the end of the vent pipe system in the room. Secure with sheet metal screws. *Make sure that the drill does not penetrate the inner tubes.* Slope the vent terminal unit very slightly down towards the outside so that any rain or condensation will drain out. *Make sure that the drain hole is at the bottom– the seam will be through notch in outer wall plate see fig. 38.*

9.1.2.13 Place the outer wall plate over the vent pipe outside the wall and against the wall surface. Be sure that it is the correct way up. Mark the wall through the four holes. Drill and plug the wall at the marks. Secure the plate to the wall with the screws provided. The vent shield tube should touch the inner surface of the plate (Fig. 38).



9.1.2.14 To ensure a water tight seal, we advise that the wall plate is caulked to the wall and the outer vent tube is caulked to the wall plate using standard silicone sealant, not supplied.

9.1.2.15 Remove the rear burner tube and fit the burner baffle plate **behind** the rear burner air deflector with three thread cutting screws supplied (Figure 39A). The baffle plate is supplied with kit #819ARK. Refit the rear burner



9.2 Snorkel Termination

For "semi-basement" situations where snorkel accessory alone does not raise termination sufficiently above ground level.

A Legend Ultra vents adapter, air restrictors, two 90° vent elbows, Dura-vent pipe lengths and a snorkel termination will be required (See vent accessories section of this manual). The vent unit supplied with the appliance is not used.

No more than two 90° elbows must be used and the elbow must go directly on the unit i.e. no horizontal extension prior to elbow.

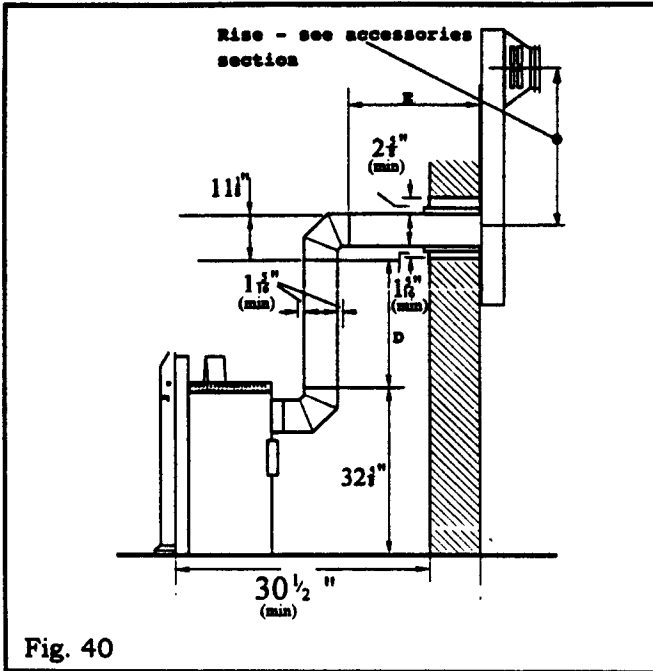


Fig. 40

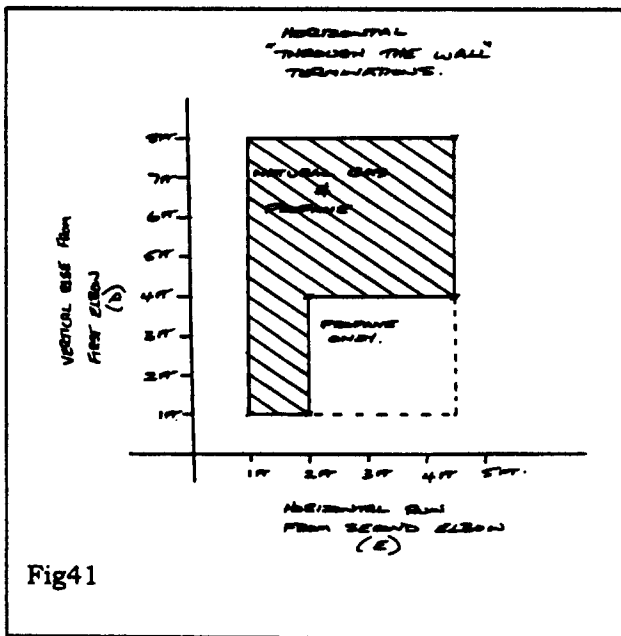


Fig 41

9.2.1 Solid non-combustible walls

If the wall is constructed of solid non-combustible materials and has no combustible surface cladding (including wood) inside or outside the vent shield tube and wall plates will not be required.

9.2.1.1 Place the appliance in its proper position.

9.2.1.2 On Natural gas appliances, insert the square metal restrictor (Fig. 19 type "b") into the vent adapter, before fitting the vent adapter (817VAK) to the appliance. The disc is supplied with kit #819ARK. (fig.42)

Propane installations with horizontal termination do not use a metal restrictor disc.

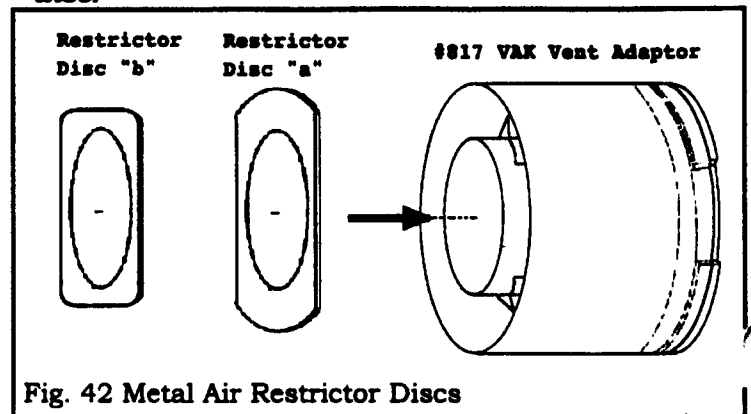


Fig. 42 Metal Air Restrictor Discs

9.2.1.3 Fit vent accessory elbows and pipe lengths as required. Fiber restrictor disks must be fitted at the joints of the Dura-vent vertical pipes as shown in the following table. **Be aware that, for Natural gas installations the maximum allowable vertical rise depends on the horizontal run length - See fig. 41**

| Vertical rise ("D" in figs 5 & 8) | Number of restrictor disks |
|--|-------------------------------|
| Less than 4ft (1.21m) | 0 |
| At least 4ft (1.21m) but less than 7ft (2.13m) | 1 |
| From 7ft (2.13m) to 8ft (2.44m). | 2 |

The fiber restrictor disks required supplied as part of kit #819ARK.

9.2.1.4 Cut a round hole 6⁵/₈" diameter. (Fig 40.)

9.2.1.5 Measure the wall thickness. If appliance is not going to touch the wall, add distance from case rear corner standoffs to wall.

This is the total horizontal vent length required.

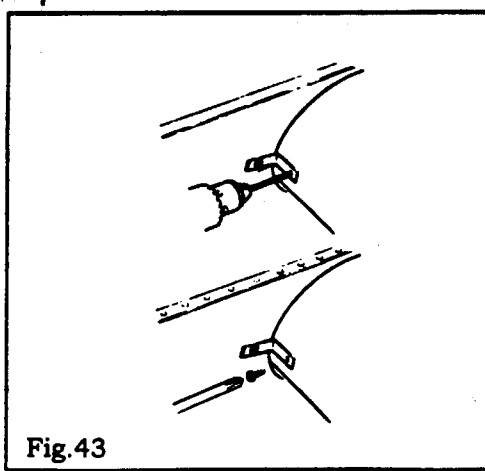


Fig. 43

9.2.1.6 Drill through the holes in the vent securing brackets into the outer tube and appliance outer collar for #6 screws. *Make sure that the drill does not penetrate the inner tubes.* Secure the vent unit to the brackets with two #6 thread cutting screws supplied (As fig. 43). Fit the required length of Simpson DuraVent pipe to the snorkel termination and rotate to lock in place.

9.2.1.7 Push the vent tube through the hole in the wall and fix the snorkel termination to the outside wall. Seal around the perimeter of the snorkel terminal to give a water tight seal.

9.2.1.8 Remove the rear burner tube and fit the burner baffle plate **behind** the rear burner air deflector with three thread cutting screws supplied (Figure 44A). The baffle plate is supplied with kit #819ARK. Refit the rear burner

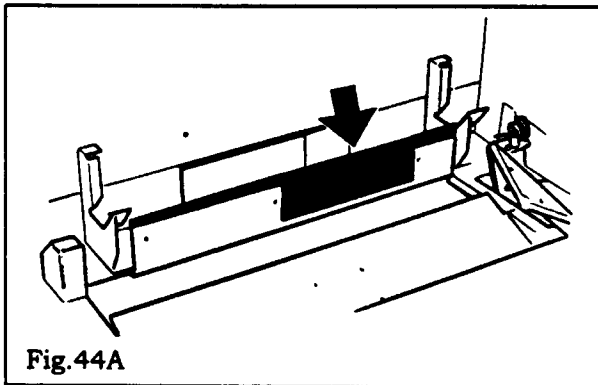


Fig. 44A

9.2.2 Combustible walls

9.2.2.1 Place the appliance in its proper position.

9.2.2.2 On Natural gas appliances, insert the square metal restrictor (Fig. 44 type "b") into the vent adapter, before fitting the vent adapter (817VAK) to the appliance. The disc is supplied with kit #819ARK.

Propane installations with horizontal termination do not use a metal restrictor disc.

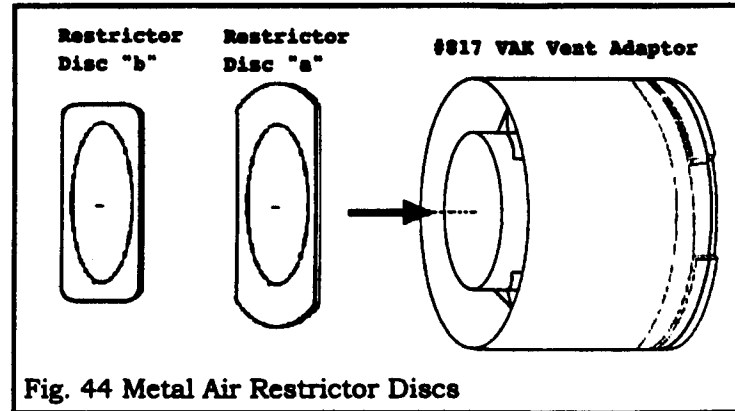


Fig. 44 Metal Air Restrictor Discs

9.2.2.3 Fit vent accessory elbows and pipe lengths as required. Fiber restrictor disks must be fitted at the joints of the Dura-vent vertical pipes as shown in the following table. **Be aware that, for Natural gas installations the maximum allowable vertical rise depends on the horizontal run length - See fig. 41**

| Vertical rise ("D" in figs 5 & 8) | Number of restrictor disks |
|--|-------------------------------|
| Less than 4ft (1.21m) | 0 |
| At least 4ft (1.21m) but less than 7ft (2.13m) | 1 |
| From 7ft (2.13m) to 8ft (2.44m). | 2 |

The fiber restrictor discs required supplied as part of kit #819ARK.

9.2.2.4 Cut a rectangular hole 11" x 11" (280mm x 280mm).

The hole position should be located as shown in fig. 45.

The bottom of the hole must be 5 1/8" (130mm) below the center of the vent tubes.

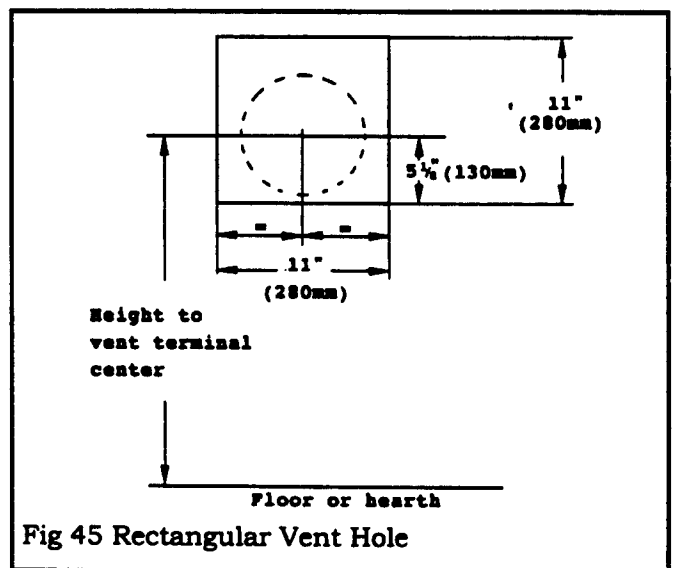


Fig 45 Rectangular Vent Hole

9.2.2.4 Place the inner wall plate on the inside wall. Make sure that the plate is the correct way up (it is marked "top"). The side flanges should enter the hole. Mark the four fixing holes on the wall. Remove the plate. Plug the wall. Replace the plate and fix with four wood screws provided. (Fig. 46).

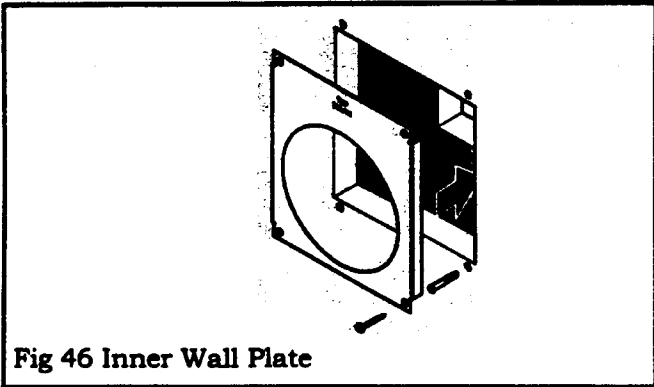


Fig 46 Inner Wall Plate

9.2.2.5 Prepare the vent shield tube (Fig. 47). The tube is supplied coiled around the vent

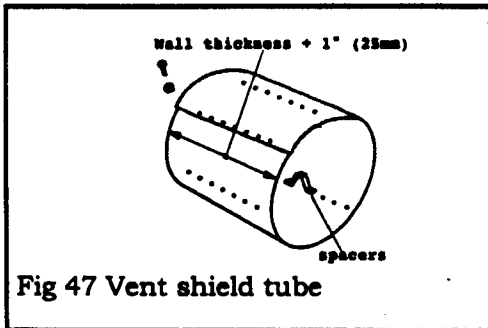


Fig 47 Vent shield tube

terminal unit.

9.2.2.6 Measure the wall thickness.

9.2.2.7 Flatten the vent shield tube. Cut to the total wall depth + 1" (25mm).

9.2.2.8 Form the shield into a tube with the two outer rows of holes aligned. Fasten using the #10 bolts and nuts provided with the bolt heads outside.

9.2.2.9 Fit the three shield tube spacers inside the tube approximately half way along the tube length. Use two thread-cutting screws for each spacer. Locate the screws through a pair of holes in each of the three rows of holes the screw heads should be on the outside of the tube.

9.2.2.10 Measure the wall thickness. If appliance is not going to touch the wall, add distance from case rear corner standoffs to wall. This is the total horizontal vent length required.

9.2.2.11 Place the required vent tube in side the shield tube. Place the outer wall plate over the vent pipe outside the wall and against the wall surface. Be sure that it is the correct way up. Mark the wall through the four holes. Drill and plug the wall at the marks. Secure the plate to the wall with the screws provided. The vent

shield tube should touch the inner surface of the plate (Fig. 48).

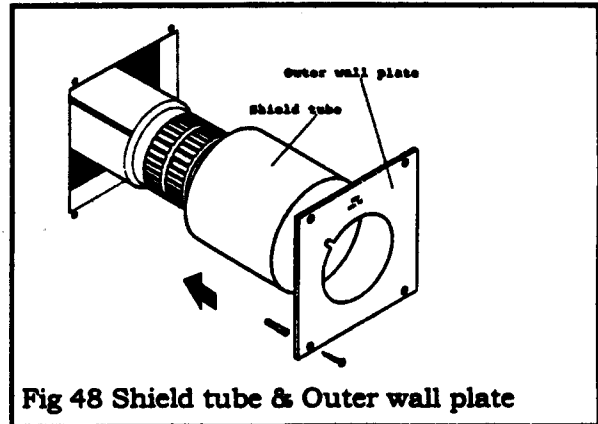


Fig 48 Shield tube & Outer wall plate

9.2.2.12 To ensure a water tight seal, we advise that the wall plate is caulked to the wall and the outer vent tube is caulked to the wall plate using standard silicone sealant, not supplied.

9.2.2.13 Fit the required length of Simpson DuraVent pipe to the snorkel termination and rotate to lock in place.

9.2.2.14 Push the vent tube through the hole in the wall and fix the snorkel termination to the outside wall. Seal around the perimeter of the snorkel terminal to give a water tight seal.

9.2.2.15 Drill through the holes in the vent securing brackets into the outer tube and appliance outer collar for #6 screws. *Make sure that the drill does not penetrate the inner tubes.* Secure the vent unit to the brackets with two #6, thread cutting screws supplied (As fig. 49).

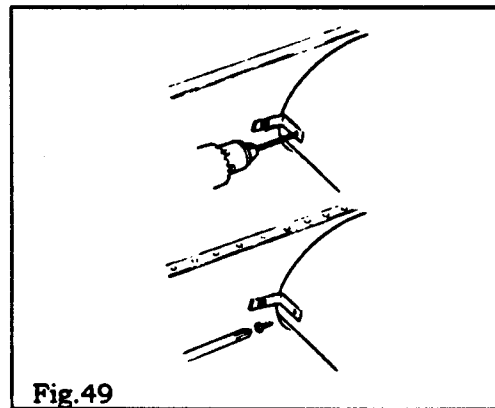


Fig.49

9.2.2.16 Remove the rear burner tube and fit the burner baffle plate **behind** the rear burner air deflector with three thread cutting screws supplied (Figure 49A). The baffle plate is supplied with kit #819ARK. Refit the rear burner

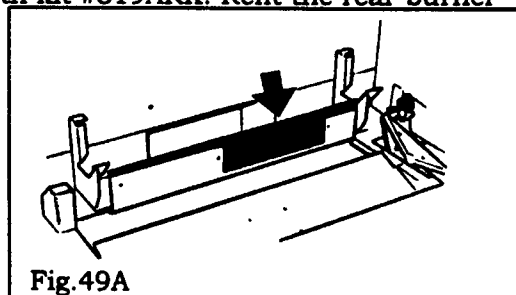


Fig.49A

10. INSTALLATION WITH THROUGH THE ROOF VERTICAL TERMINATION

Vertical vent rise with through the roof termination (Fig. 50)

A Legend Ultra vent adapter, one 90° vent elbow, air restrictors, a vertical vent terminal, roof flashing and Dura-vent pipe lengths will be required (See vent accessories section of this manual). The vent unit supplied with the appliance is not used.

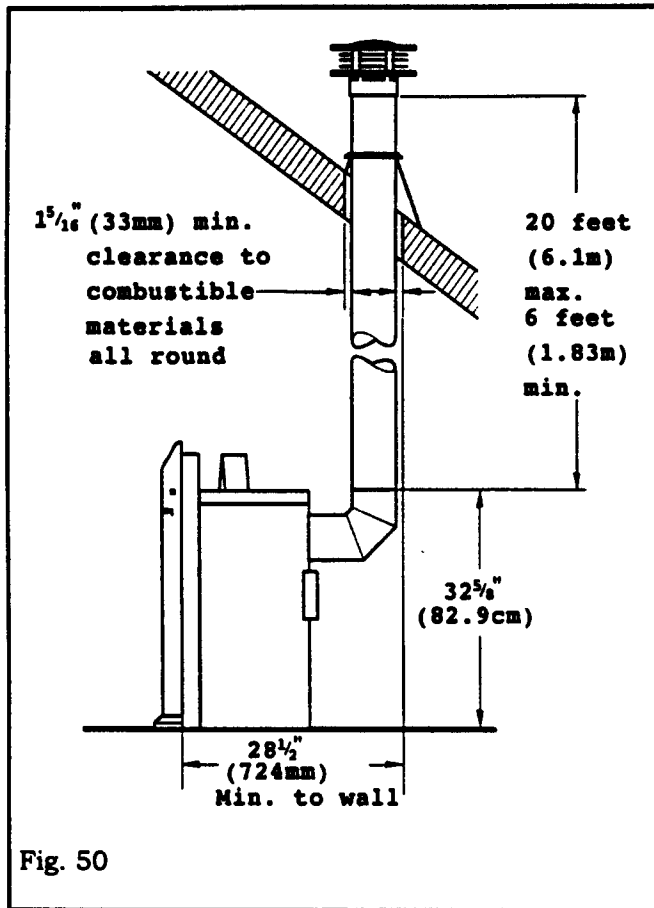


Fig. 50

Vertical rise with offset, through the roof termination (Fig. 51)

For situations where offset is necessary in an attic to avoid obstructions or allow useful space. A Legend Ultra vent adapter, one 90° vent elbow, two 45° vent elbows, air restrictors, wall straps, a vertical vent terminal, roof flashing and Dura-vent pipe lengths will be required (See vent accessories section of this manual). The vent unit supplied with the appliance is not used.

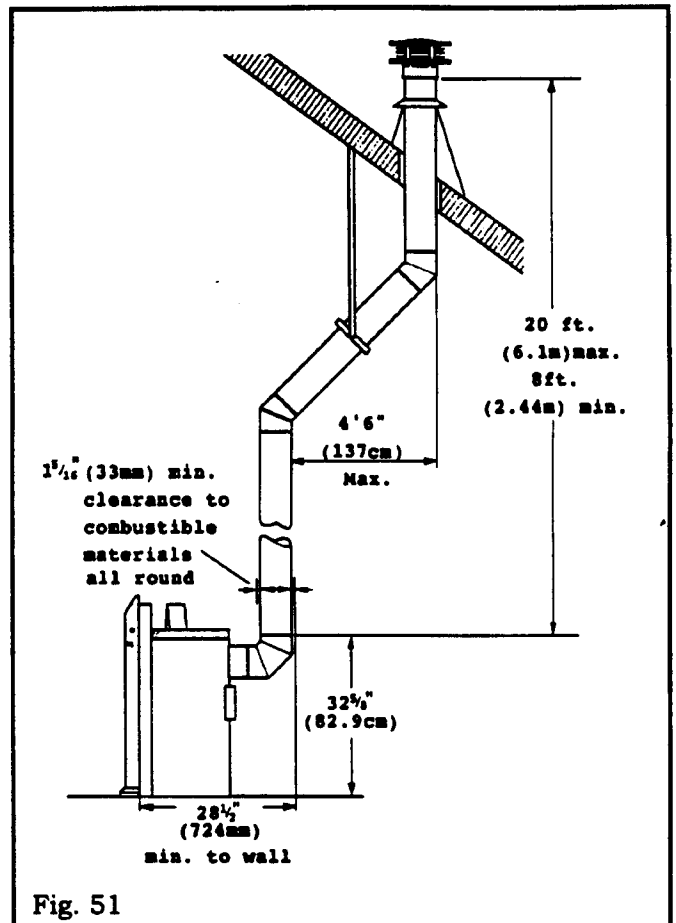


Fig. 51

10.1 Check the roof pitch to determine which roof flashing will be needed - see vent accessories section 11

10.2 The distance from the roof to the lowest terminal discharge opening ("H" in fig. 52) depends on the roof pitch and must be in accordance with the current CAN/CGA - 149.1 in Canada or ANSI Z223.1 in the USA.

10.3 The minimum clearances to combustible materials all round the vent pipes must be in accordance with the dimensions shown in section 3 of this manual.

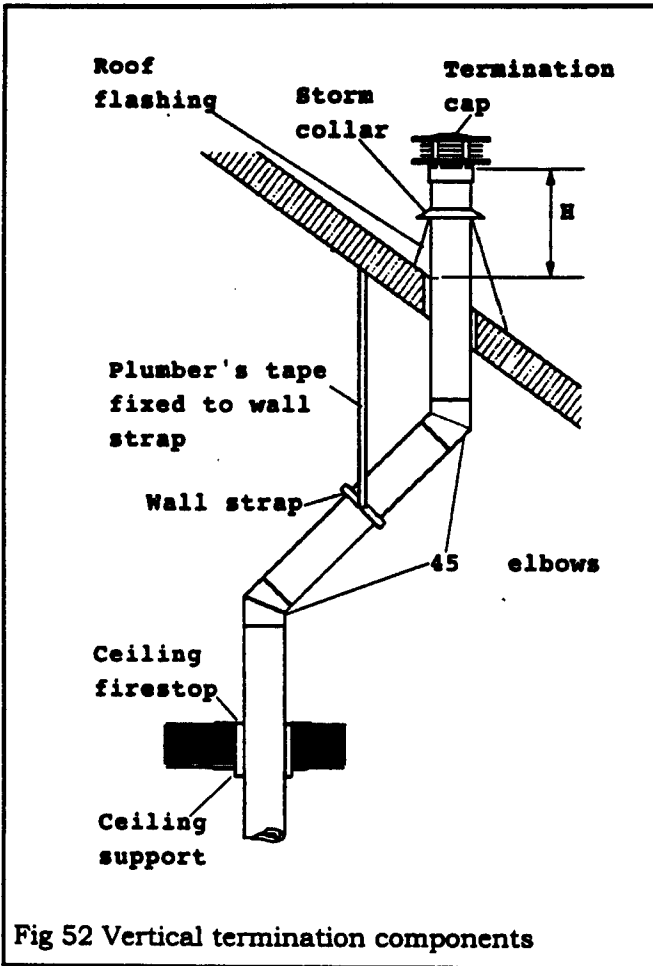


Fig 52 Vertical termination components

10.4 Before fitting the vent adapter (817VAK) to the appliance, insert the metal restrictor disc having two curved edges (Fig.52A type "a") into the vent adapter. The disc is supplied with kit #819ARK.

10.5 Fit a 90° elbow to the appliance.

10.6 Place the appliance in its proper location.

10.7 Drop a plumb from the ceiling to the center of the elbow. Mark the position on the ceiling. Drill a small hole at the marked position.

10.8 Determine the position where the vent will pass through the roof. If directly above the position where it penetrates the ceiling, drop a

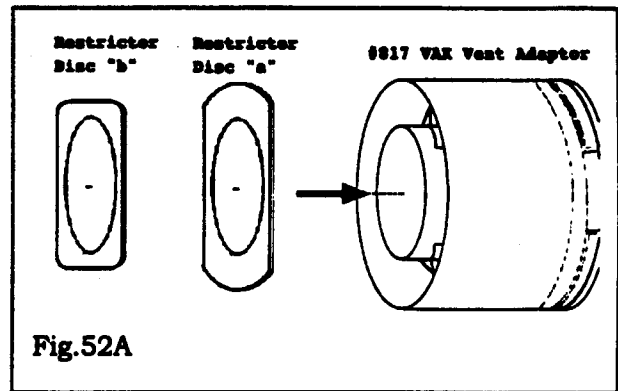


Fig.52A

plumb from the roof to the small hole in the ceiling and mark the roof at this spot.

If rafters or other obstructions will prevent a vertical exit or if clear attic space is desired, the roof outlet can be offset using 45° elbows - see fig. 52.

Drill a small hole at the marked position.

10.9 A ceiling firestop must be installed at the second floor and higher floors.

A ceiling support should be used below the flat ceiling.

To install the firestop & support cut and frame a 10" (254mm) square hole centered on the small hole previously drilled - see fig. 53.

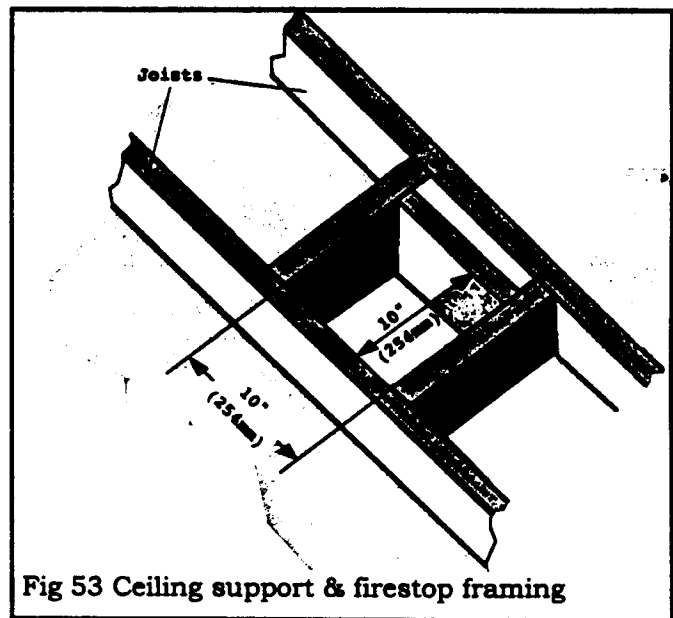


Fig 53 Ceiling support & firestop framing

10.10 Fit vent accessory elbows and pipe lengths as required up through ceiling support boxes and firestops.

Fiber restrictor disks must be fitted at the joints of the Dura-vent vertical pipes as shown in the following table: -

| <u>Vertical rise from 90° elbow to terminal</u> (See figs 6 & 7) | <u>Number of restrictor disks</u> |
|---|-----------------------------------|
| Less than 8ft (2.44m) | 0 |
| At least 8ft (2.44m) but less than 12ft (3.66m) | 2 |
| At least 12ft (3.66m) but less than 16ft (4.88m) | 3 |
| At least 16ft (4.88m) but less than 18ft (5.49m) | 4 |
| From 18ft (5.49m) to 20ft (6.10m) | 5 |

The fiber restrictor discs required supplied as part of kit #819ARK.

If installation includes offset, support the offsetting pipes every 3 feet (1m) with wall straps (fig. 52).

10.11 Cut a hole in the roof centered on the small hole. The hole must allow for the minimum clearances to combustible materials - see fig 50

10.12 Fit pipe lengths through the roof. Fit roof flashing securing it with roofing nails.

10.13 Fit storm collar and termination cap.

10.14 Remove the rear burner tube and fit the burner baffle plate **behind** the rear burner air deflector with three thread cutting screws supplied (Figure 54). The baffle plate is supplied with kit #819ARK. Refit the rear burner

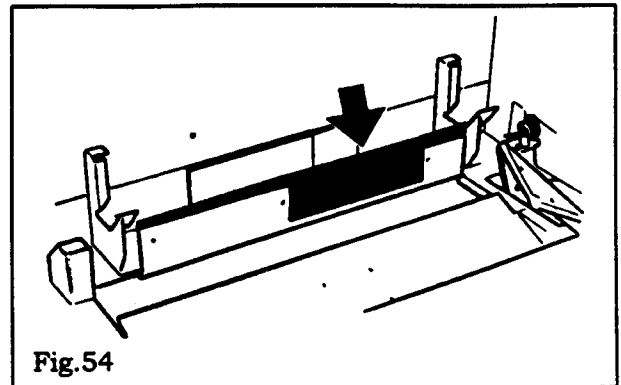


Fig.54

11. VENT ACCESSORIES

Kit

- 817VAK Legend Ultra Vent Adapter
- 819ARK Air Restrictor Kit
- 990B 90° Elbow
- 908B 6" Pipe Length
- 907B 9" Pipe Length
- 906B 12" Pipe Length
- 904B 24" Pipe Length
- 903B 36" Pipe Length
- 902B 48" Pipe Length
- 902B 48" Pipe Length
- 911B Adjustable 11"-14⁵/₈" Pipe Length
- 981 Snorkel Termination Unit - 36" Rise
- 982 Snorkel Termination Unit - 14" Rise
- 983 Vertical Termination Cap
- 991 High Wind Vertical Termination Cap
- 940 Round Ceiling Support
- 941 Cathedral Ceiling Support Box
- 963 Ceiling Firestop
- 943 Adjustable Roof Flashing - Roof Pitch 0/12-6/12
- 943S Steep Roof Flashing - Roof Pitch 7/12-12/12
- 953 Storm Collar
- 988 Wall Strap

4.8. Vent location

- The vent terminal must be located on an outside wall or through the roof.
- This direct vent appliance is designed to operate when an undisturbed airflow hits the outside vent terminal from any direction.
- The minimum clearances from this terminal that must be maintained when located on an outside wall are shown in figure 10. Any reduction in these clearances could result in a disruption of the airflow or a safety hazard. Local codes or regulations may require greater clearances.
- The vent terminal must not be recessed into a wall or siding.
- The vent terminal should be positioned where it will not be covered by any snowdrifts.

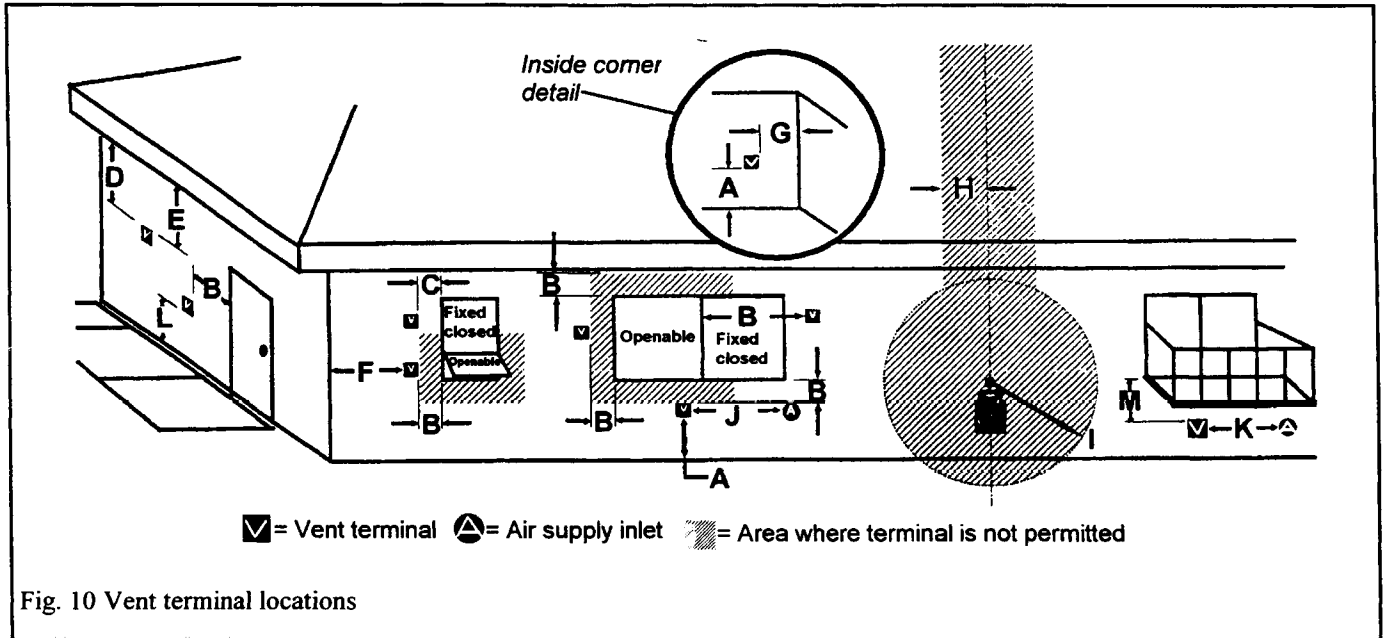


Fig. 10 Vent terminal locations

| KEY | VENT TERMINAL LOCATIONS - MINIMUM DISTANCES <i>See figure 10</i> | MINIMUM CLEARANCE | |
|-----|---|-------------------|-----|
| | | Ins | Cms |
| A | Clearance above grade, verandah, porch, deck or balcony | 12 | 30 |
| B | Clearance to window or door that may be opened | 12 | 30 |
| C | Clearance to permanently closed window (recommended to prevent condensation on window) | 12 | 30 |
| D | Vertical clearance to ventilated soffit located above the terminal within a horizontal distance of 2 feet (60 cm) from the center-line of the terminal | 18 | 46 |
| E | Clearance to unventilated soffit | 12 | 30 |
| F | Clearance to outside corner | 12 | 30 |
| G | Clearance to inside corner | 12 | 30 |
| H | Horizontal clearance to center-line of meter/regulator assembly located below the terminal | 36 | 90 |
| I | Clearance to service regulator vent outlet | 72 | 180 |
| J | Clearance to non-mechanical air supply inlet to the building or the combustion air inlet to any other appliance | 12 | 30 |
| K | Clearance to a mechanical air supply inlet | 72 | 180 |
| L | Clearance above paved sidewalk or a paved driveway located on public property. <i>Note: A vent must not terminate directly above a sidewalk or paved driveway, which is located between two single family dwellings and serves both dwellings.</i> | 84 | 210 |
| M | Clearance under a verandah, porch, deck or balcony <i>Only permitted if veranda, porch, deck or balcony is fully open on a minimum of 2 sides beneath the floor.</i> | 12 | 30 |

Note: Local codes and regulations may require different clearances.

13. SUPPLY GAS

Model 837AN is for use with natural gas only. Model 837AP is for use with propane only. The supply pressure must be between the limits shown in section 2.1 of this manual. The supply connection is $\frac{3}{8}$ "NPT direct to the regulator inlet. An adapter for $\frac{1}{2}$ "NPT connection is supplied with appliances for the USA. Openings for the gas supply line are provided at the left and right sides and rear right (See figure 1).

14. PACK CONTENTS

The complete appliance is contained in two packs.

Pack 1 - Main appliance unit contains:

- 1 Main appliance
- 1 Ceramic firebox back wall
- 1 Pair ceramic firebox side walls.
- 5 Ceramic logs
- 1 Firebox base cover
- 2 Case top standoffs (supplied flat)
- 2 Case rear corner standoffs (supplied flat)
- 16 #8 tapping screws (for standoffs)
- 1 Vent & air intake pipe unit
- 1 Styrofoam support (for vent tube cutting)
- 2 Vent pipe securing brackets
- 4 #6 tapping screws (for vent unit securing)
- 1 Outer vent shield tube
- 8 #10 nuts & screws (for outer vent shield tube)
- 3 Shield tube spacers
- 6 #8 tapping screws (for shield tube spacers)
- 10 Wood screws (for wall plate & appliance fixing)
- 10 Wall plugs (for wall plate & appliance fixing)
- 1 Outer wall plate
- 1 Inner wall plate
- 2 Insulation pads (for appliance top)
- 1 Battery (for ignition unit)
- 1 $\frac{1}{2}$ "NPT supply connection Adapter (USA models only)

Pack 2 - Fascia contains:

- 1 Complete front unit.
(Cast Metal Fronts contains replacement knob, and extra fixings)

Take care when removing the contents from the packaging to prevent damage. Check that all the contents are in the packs and are undamaged.

15. GAS SUPPLY INSTALLATION

15.1 Openings for the gas supply line are provided at the right and left sides and rear right. *The rectangular openings at back are for air circulation and must not be blocked.*

Connection is 3/8" NPT directly to the regulator.

15.2 Use only new black iron or steel pipes or copper tubing if acceptable - check local codes. *Note that in USA copper tubing must be internally tinned for protection against sulfur compounds.*

15.3 Unions in gas lines should be of ground joint type.

15.4 The gas supply line must be sized and installed to provide a supply of gas sufficient to meet the maximum demand of the appliance without undue loss of pressure.

15.5 Sealant used must be resistant to the action of all gas constituents including LP gas. Sealant should be applied lightly to male threads to ensure excess sealant does not enter gas lines.

15.6 The supply line should include a manual shut-off valve to allow the appliance to be disconnected for servicing.

A plugged 1/8" NPT tapping must be installed in the line. The tapping must be accessible for test gauge connection and be immediately upstream of the gas supply connection to the appliance. There is sufficient room inside the appliance upstream of the regulator to conveniently site the valve and plugged tapping.

15.7 Pressure test the supply line for leaks.

- The appliance and its individual shut-off valve must be disconnected from the gas supply piping system during any pressure testing of that system at test pressures in excess of 1/2 psig (3.5 kPa).
- The appliance must be isolated from the gas supply piping system by closing its individual manual shut-off valve during any pressure testing of the gas supply piping system at test pressures equal to or less than 1/2 psig (3.5 kPa).
- Failure to either disconnect or isolate the appliance during pressure testing may result in regulator or valve damage. Consult your dealer in this case.

15.8 The minimum supply pressure is given in section 2 of this manual.

15.9 All piping and connections must be tested for leaks after installation or servicing. All leaks must be corrected immediately.

When testing for leaks:

- Make sure that the appliance ignition bar is in the off position - rotated as far as it will go to the left.

- Open the manual shut-off valve.
- Test for leaks by applying a liquid detergent or soap solution to all joints. Bubbles forming indicate a gas leak. *Never use an open flame to check for leaks.*

- Correct any leak detected immediately.

15.10 A built-in non-adjustable regulator controls the burner manifold pressure. The correct pressure range is shown in the table in section 2 of this manual. The manifold pressure should be checked at the pressure test tapping which is located on the thermostat unit (see figure 56). The pressure check should be made with both burners alight, the ignition bar set at "burner on" (turned to the right) and the thermostat control set at "HI". See lighting instruction section for full operation details.

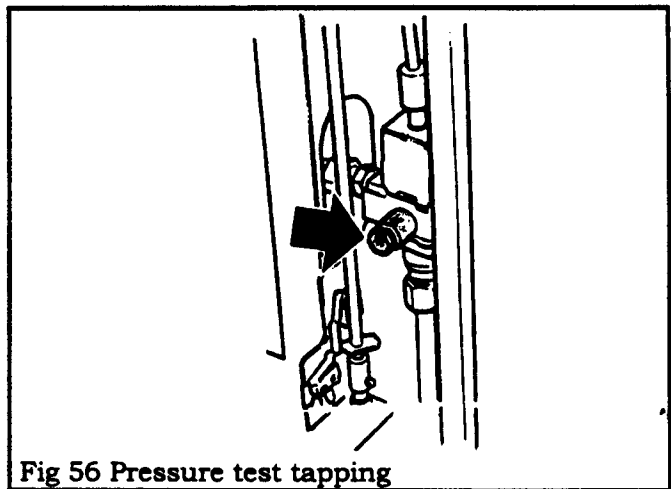


Fig 56 Pressure test tapping

16. PRESSURE RELIEF SYSTEM CHECK

The appliance is fitted with a pressure relief system. Its purpose is to allow the safe release of pressure in the unlikely event of a build up of gas in the firebox before ignition takes place.

Relief is achieved by the gas pressure opening the two spring loaded plates under the firebox below the rear burner. This allows some gas to escape safely. The plates will then return to their closed position.

Check the action of the system by pushing the plates with your fingers (Fig. 57).

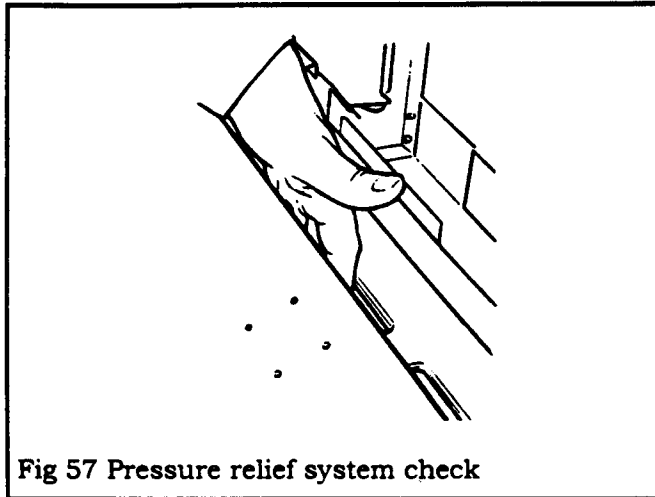


Fig 57 Pressure relief system check

17. AERATION-SETTING CHECK

Natural gas appliances: The rear burner tube is equipped with an adjustable shutter to control primary aeration (Fig. 58). The front burner aeration is not adjustable. Check that the rear aeration shutter is correctly positioned. The air holes are at the right side of the burner tube. The appliance is set at the factory with the air holes 90% open. For the majority of installations this setting will be correct. Performance may be improved by adjusting the aeration for some vent installations with a vertical rise or where a very short vent length is employed. This should be determined by operating the appliance with the logs and window installed. See "Final Checks" section in this manual for adjustment details.

LP appliances: Neither front or rear burner aeration is adjustable.

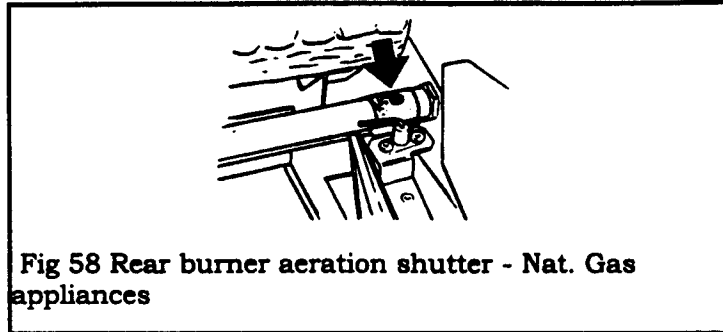
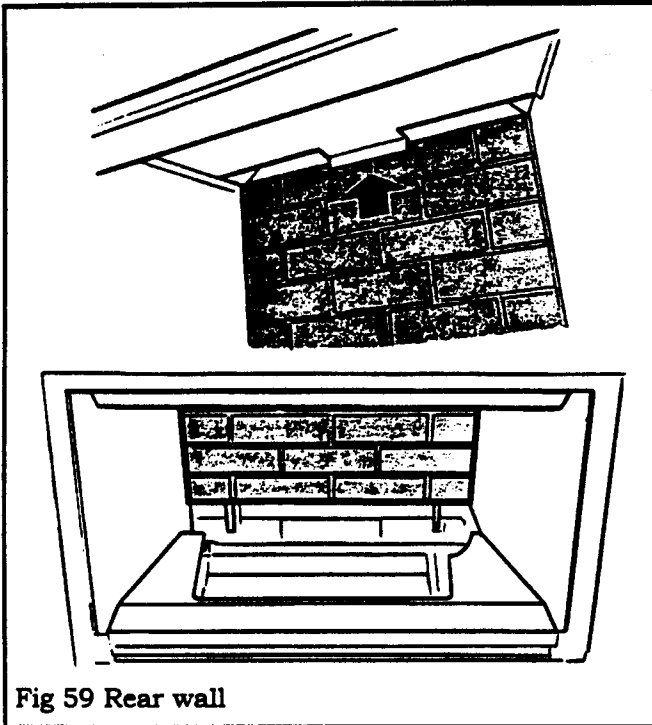


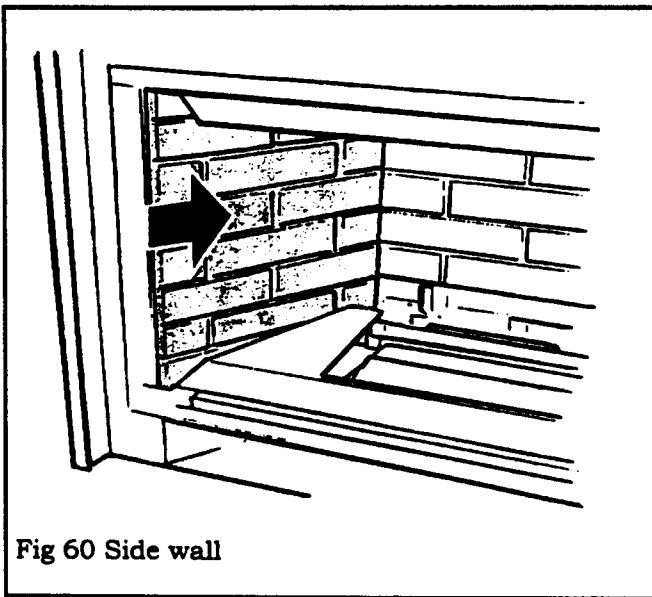
Fig 58 Rear burner aeration shutter - Nat. Gas appliances

18. CERAMIC FUEL BED INSTALLATION

18.1 Feed the top of the ceramic back wall behind the support strip at top of the firebox. Seat the bottom of the wall on the supports at the back of the firebox. See fig. 59

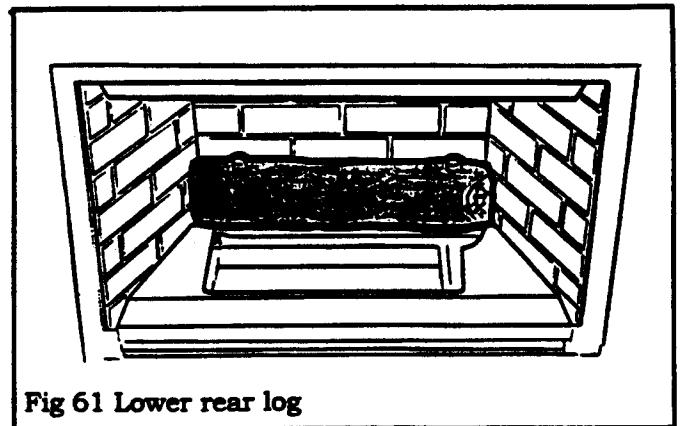


18.2 Slide the ceramic sidewalls into position - See fig. 60.

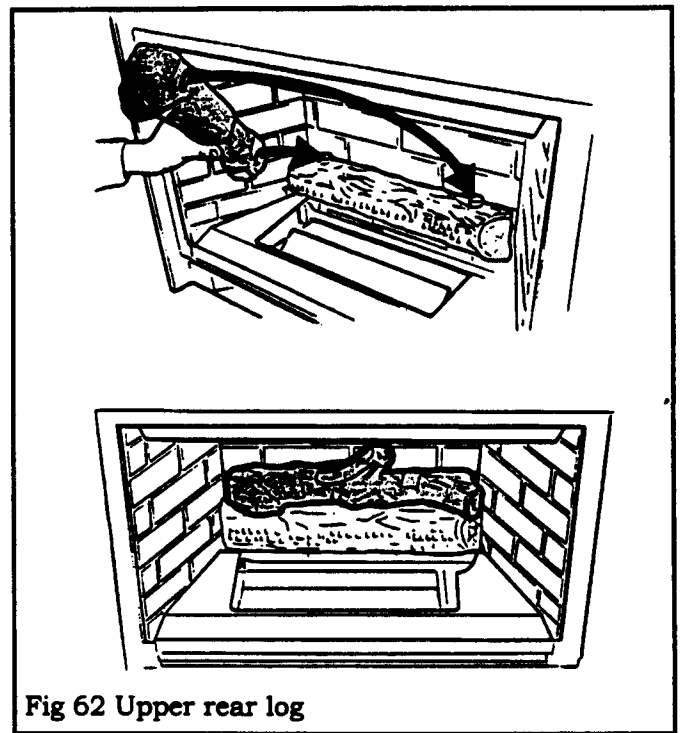


18.3 Place the lower rear log in the support cradles at the

back of the firebox (fig. 61)



18.4 Place the upper rear log on top of the lower rear log. The pegs in the lower log locate in the holes in the upper log (fig. 62).



18.5 Place the front log in the opening of the firebox base cover. Slide the log forward as far as it will go (fig. 63).

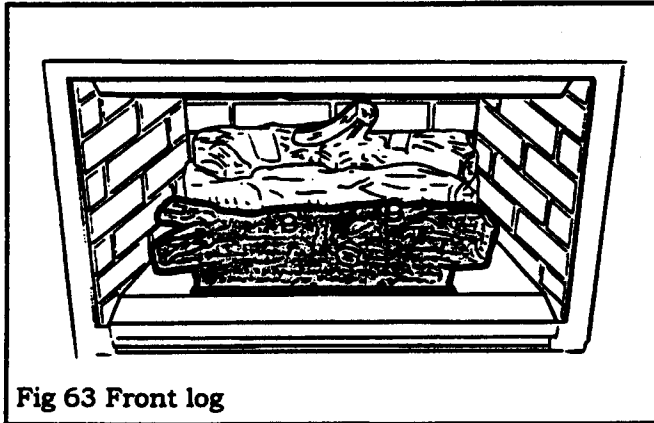


Fig 63 Front log

18.6 Place the left cross log (stamped "L" underneath) over the front and rear logs. Locate the cross log over the peg in the front log and into the channel in the rear log (fig. 64).

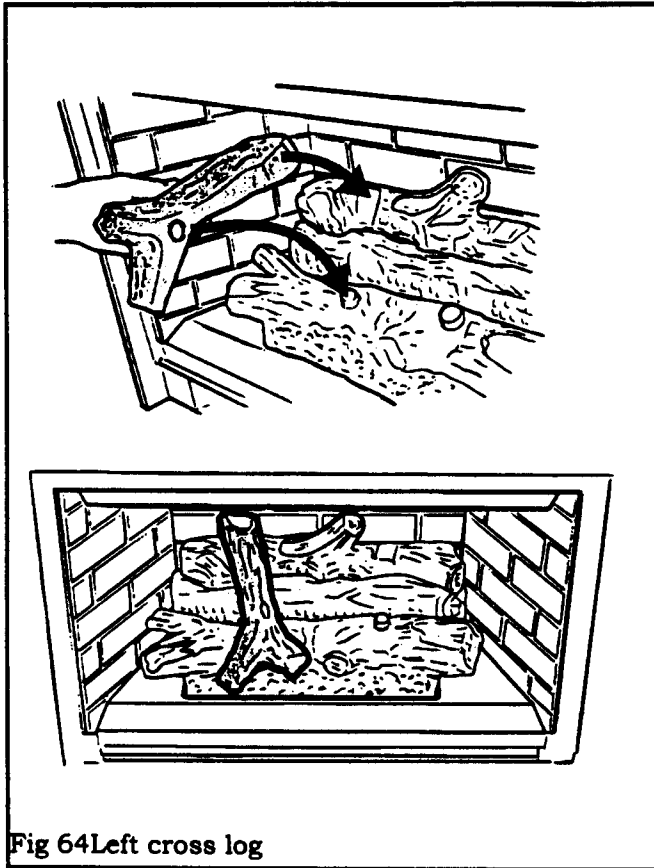


Fig 64 Left cross log

18.7 Place the right front log (stamped "R" underneath) over the other logs. Locate it over the peg in the front log and into the channel in the rear log (fig. 65).

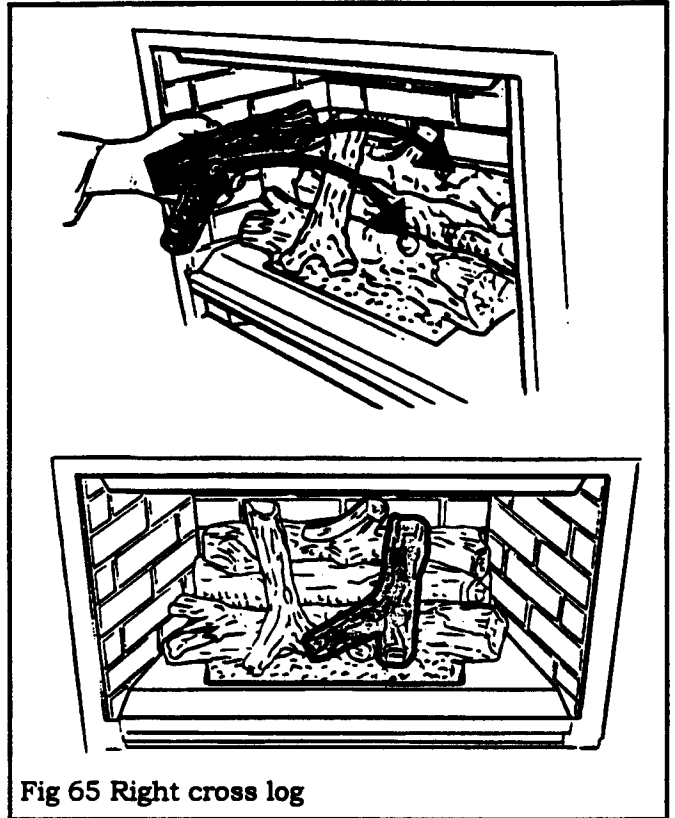


Fig 65 Right cross log

19. FASCIA INSTALLATION

19.1 STANDARD FASCIAS

The height of the ignition bar can be adjusted to suit the slot in the fire front. The adjustment must be made before the window is refitted as follows:

19.1.1 Locate slots in the fascia over the claws at the sides of the main appliance (fig. 66).

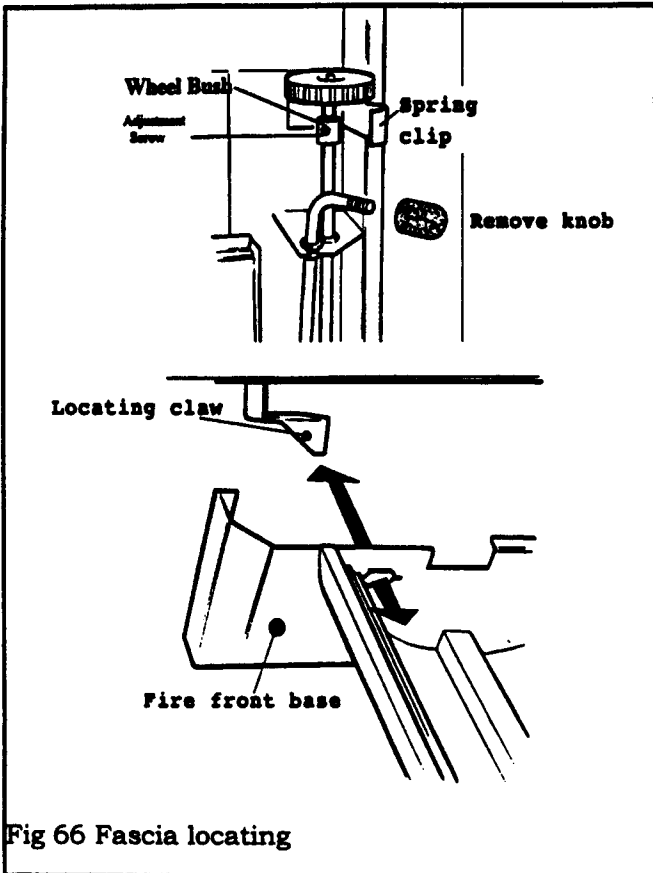


Fig 66 Fascia locating

19.1.3 Angle the fascia up and turn the ignition bar to test if it will project through the slot in the fascia.

19.1.4 If the ignition bar does not locate satisfactorily through the fascia, loosen the screw securing the ignition bar sleeve (fig. 67).

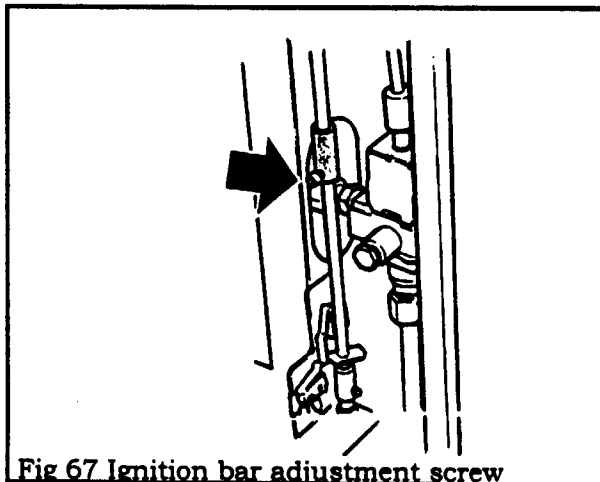


Fig 67 Ignition bar adjustment screw

19.1.5 Adjust the height of the ignition bar so that it can rotate freely through the slot. Retighten the sleeve screw.

19.1.6 The thermostat wheel height can be adjusted by simply sliding it up or down the spindle and the tightening the bush below so that it is flush against the wheel (fig. 68)

Fig.68

19.1.7 Remove the fascia.

19.1.8 Replace the window. Secure with the three toggle catches.

19.1.9 Refit the fascia as described in section 15.1. Be sure that the spring clips at the sides of the appliance secure the fascia. Refit the knob to the ignition bar.

19.2 CAST IRON FRONTS

19.2.1 Remove the LH and RH toggle clamps from the engine.

19.2.2 Place the LH and RH fixing brackets supplied onto the engine and replace the toggle clamps and screws. Ensure that the screws are tight. (Fig 69)

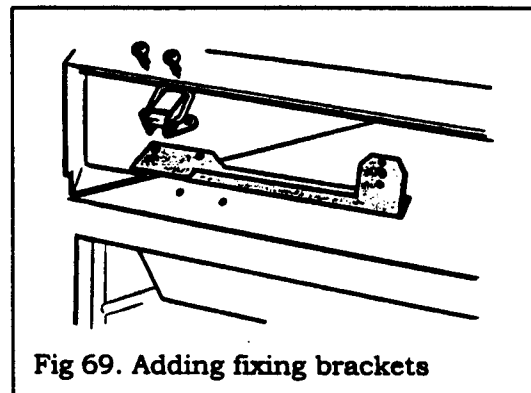


Fig 69. Adding fixing brackets

19.2.3 Remove the screws from the spark generator unit (Fig 70.)

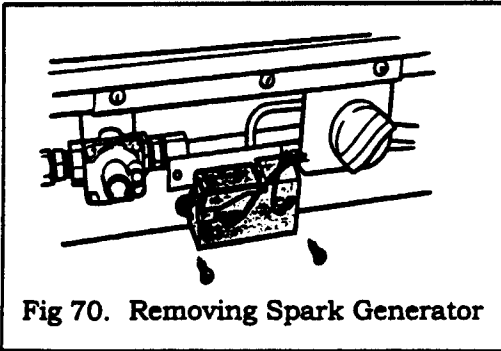


Fig 70. Removing Spark Generator

19.2.4 Place the battery cover supplied against the bracket and replace the spark generator unit and screws (Fig 71.)

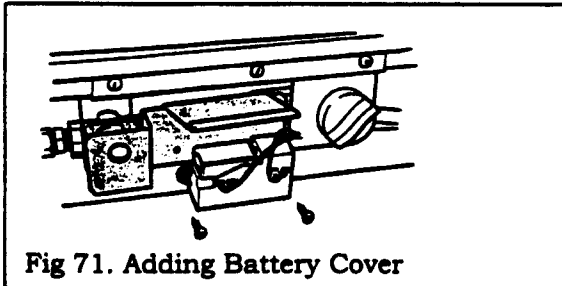


Fig 71. Adding Battery Cover

19.2.5 Remove the existing selector tap knob.

19.2.6 Replace the selector tap knob with the one supplied with the fascia (Fig 72.)

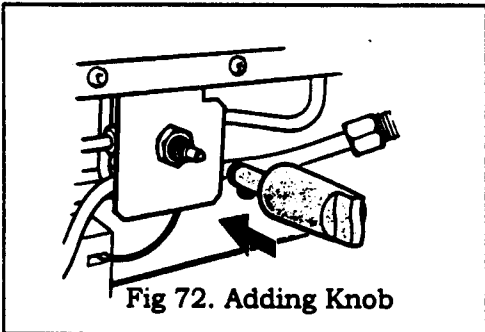


Fig 72. Adding Knob

19.2.7 Important: Remove the transit screws from the lower casting. (Fig 73.)

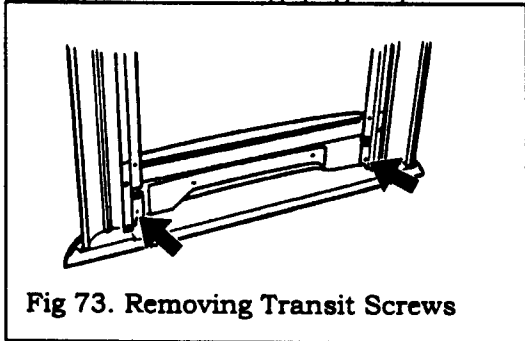


Fig 73. Removing Transit Screws

19.2.8 Follow points 19.1.5 to 19.1.8 to adjust the ignition bar and thermostat wheel.

19.2.9 Locate slots in the fascia over the claws at the sides of the main appliance. (Fig 74.)

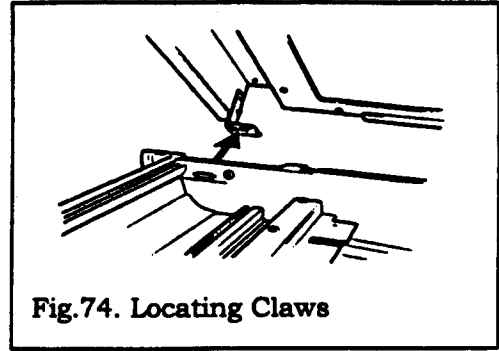


Fig.74. Locating Claws

19.2.10 Refit the fascia making sure that the spring clips at the sides of the appliance secure the fascia.

19.2.11 Screw the thumbscrews in to the fix brackets that were attached to the engine earlier. (Fig 75.)

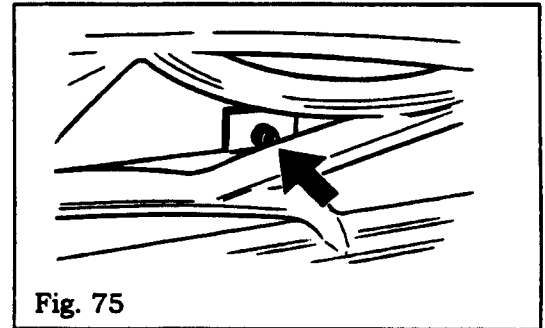


Fig 75

19.3 FOUR SIDED FRONTS

19.3.1 Locate the brackets over the claws on the engine. (Fig.76)

19.3.2 Follow points 19.1.5 to 19.1.8 to adjust the height of the spindle

19.3.3 Lean the fascia back making sure that the spring clips at the sides of the appliance secure the fascia.

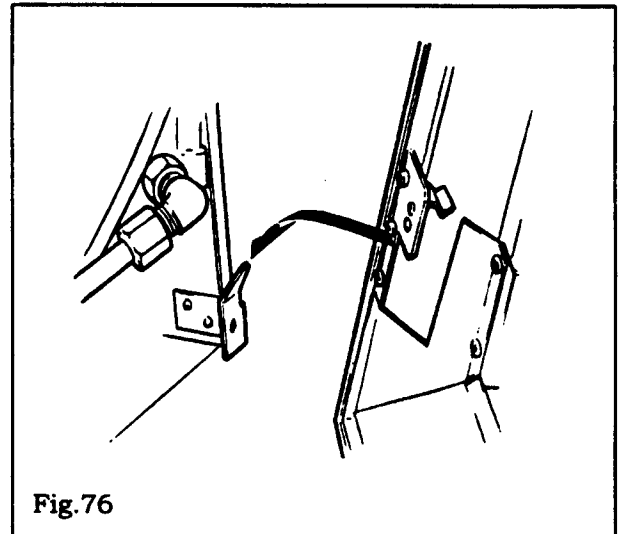


Fig.76

20. FINAL CHECKS

20.1 Check ignition, burner selection control and thermostat settings as described in the lighting instructions in this manual.

20.2 Aeration adjustment - Natural Gas Appliances

As described in section 17, the rear burner has adjustable aeration. For the great majority of installations, no adjustment will be necessary. However, in a few instances performance may be improved by adjusting the aeration. Aeration is adjusted by sliding the shutter to the left or right.

Evaluate the aeration only after the unit has warmed up (approximately 15 minutes).

Increasing aeration will cause the flame to appear more transparent and blue making the logs glow more.

Decreasing aeration will cause the flames to appear more yellow or orange making the logs glow less. ***Too little aeration may result in black carbon forming and dropping into the firebox.***

20.3 Instruct the owner how to operate the appliance.

20.4 Warn that ***if the ceramic window unit is damaged, the appliance must be turned off immediately and not used until the window is replaced.***

20.5 Advise that, if necessary, the fascia and window may be removed when the appliance is shut off and cold to clean the inside or reset the logs if disturbed. Stress that the window must be replaced securely before operating the appliance.

20.6 Recommend that the appliance is inspected and, if necessary, serviced at least once a year.


20.7 Point out the location of the supply shut off valve and its operation.

20.8 Point out the location of the vent terminal. Advise that, for safe and efficient operation, no objects should be placed within 2 feet (60cm) of the terminal.

OWNERS INFORMATION

21. OPERATING PROCEDURE

The operating instructions are also inside the control panel door or behind the lower casting if fitted.

21.1 For your safety this appliance is fitted with a flame supervision device which will shut off the gas supply if, for any reason, the pilot flames go out. This device incorporates a fixed probe, which senses the heat from the pilot flame. If the probe is cool, the device will prevent any gas flow unless the ignition bar is kept pushed down at the position marked . See full lighting instructions on next page.

21.2 The Valor Comfostat™ Temperature control system

Conventional thermostats regulate the temperature by shutting the burners off when the temperature reaches its upper limit. This gives stop-go heat, unnaturally varying flames and impaired efficiency (like a car in city traffic). The Comfostat™ system controls the temperature by gradually lowering or raising the fire. This maintains room comfort by providing steadier heat and a more natural looking regulation of the flames. The room temperature will be maintained at the desired level for any setting up to just short of the "HI" position. The "HI" position is an override, which will keep the fire fully on all the time and is not affected by room temperature.

21.3 The Valor Burner Selector Control

With ordinary gas fireplaces, when you turn down the heat you turn down the flames. So, on warmer days, when you don't want much heat you get lower flames, reducing the visual attraction of the fireplace. The Valor burner selector gives a choice of having just the front or rear burner or both burners alight. Selecting just one burner on warmer days lets you have higher flames with the thermostat at a comfortably low setting. In cold weather, turning on both burners and setting the thermostat higher gives you suitably high heat and high flames.

21.4 When first turned on, the decorative flames will appear predominantly blue. After approximately 15 minutes the flames will turn yellow.

22. CLEANING

22.1 It will be necessary to clean the glass periodically. During startup-condensation, which is normal, forms on the inside of the glass and causes dust, lint etc. to cling to the glass surface. Also initial paint on curing can deposit a slight film on the glass. It is therefore recommended that initially the glass be cleaned two or three times with non-abrasive common household cleaners and warm water. **Ammonia based cleaners are not to be used.** After that the glass should be cleaned two or three times a season depending on the circumstances

N.B. DO NOT CLEAN WHEN GLASS IS HOT

22.2 Dust, etc. can be brushed from the ceramic logs and sidewalls after detaching the fascia and window.

To remove the fascia, unscrew the knob from the ignition bar and lift the front clear of the locating claws at the base – see section 19 and select fascia that is fitted.

For the cast version unscrew the thumbscrews at the top and remove the lower casting before attempting to remove the fascia.

Detach the window unit by releasing three toggle catches at the top and lifting the window clear (figure 77)

If you are removing the ceramic parts, we suggest that they be removed in the reverse order to that shown in the fuel bed assembly section of this manual (Section 18).

Dust etc. can also be removed from the burners using a soft brush after removing the logs. When cleaning the burners also check the aeration holes (see section 17) and brush clean if necessary. Make sure that no particles are brushed into the burner tubes.

22.3 Coloring of the interior of the metal firebox with use is normal. Do not try to remove the color with abrasive materials.

22.4 Always replace the ceramic walls and logs and secure the window before lighting.

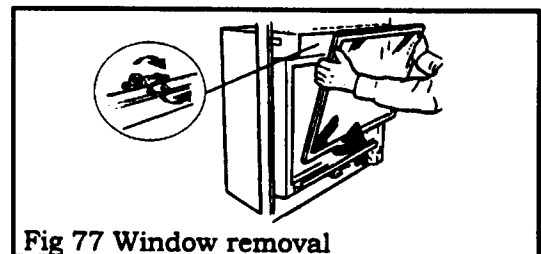


Fig 77 Window removal

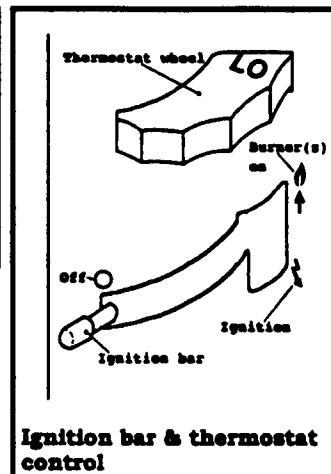
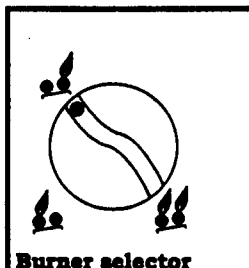
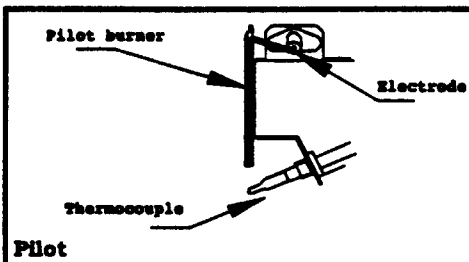
FOR YOUR SAFETY READ BEFORE LIGHT

WARNING: If you do not follow these instructions exactly, a fire or explosion may result causing property damage, personal injury or loss of life.

- A.** This appliance has a pilot, which must be lighted by hand. When lighting the pilot, follow these instructions exactly.
- B. BEFORE LIGHTING** smell all round the appliance area for gas. Be sure to smell next to the floor because some gas is heavier than air and will settle on the floor.
- WHAT TO DO IF YOU SMELL GAS**
- Do not try to light any appliance.
 - Do not touch any electric switch; do not use any phone in your building.
 - Immediately call your gas supplier from a neighbor's phone. Follow the gas supplier's instructions.
 - If you cannot reach your gas supplier, call the fire department.
- C.** Use only your hand to push in or turn the burner selector knob, to rotate or push down the ignition bar and to rotate the thermostat control. Never use tools. If the controls will not move correctly by hand, don't try to repair them, call a qualified service technician. Force or attempted repair may result in a fire or explosion.
- D.** Do not use this appliance if any part has been under water. Immediately call a qualified service technician to inspect the appliance and to replace any part of the control system and any gas control, which has been under water.

LIGHTING INSTRUCTIONS

1. **STOP!** Read the safety information above on this label.
2. Set the thermostat to lowest setting ("LO").
3. Open the bottom grille. Push in and turn the burner selector knob to front, rear or both burners position. Close the bottom grille.



4. Swing the igniter bar fully to the left position marked **○** to shut off the gas.
5. Wait five (5) minutes to clear out any gas. then smell for gas, including near the floor. If you smell gas, **STOP!** Follow "B" in the safety information above. If you don't smell gas, go to the next step.
6. Find the pilot. It is near the right side of the firebox.
7. Swing the igniter bar fully to the right. Slide the bar to the bottom (ignition) position marked **↘** and hold down. The pilot should light.
8. Keep the igniter bar held down for a further 10 seconds then release. The bar should pop up to the "burner on" position marked **↗** and the burner(s) selected (see step 3) should light at low heat. If the pilot and burner(s) do not light or stay lit repeat steps 4 through 8.
 - If the igniter bar does not pop up when released, stop and immediately call your service technician or gas supplier.
 - If the pilot or burner will not light or stay lit after several tries of all the above steps, swing the igniter bar to the off position (**○**) to shut off the gas and call your service technician or gas supplier.
9. Set thermostat to desired setting.

TO TURN OFF GAS TO APPLIANCE

1. Set thermostat to lowest setting.
2. Swing the igniter bar to the off position (marked **○**)

23. CHECKS

23.1 A periodic visual check of the pilot and burner flames should be made (see figs 78 and 79).

Check after the furnace has been on for at least 30 minutes.

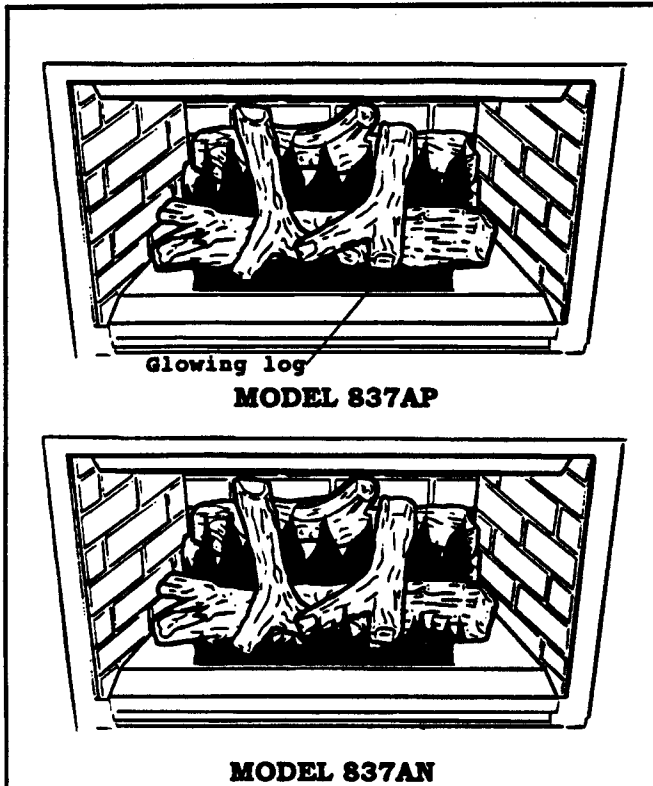


Fig 78 Burner flames

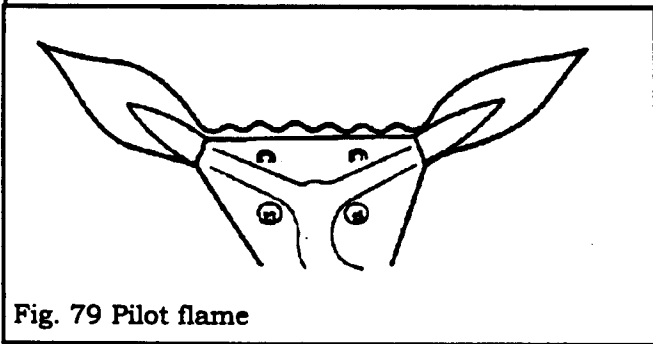


Fig. 79 Pilot flame

23.2 The appliance area must always be kept clear and free from combustible materials, gasoline and other flammable vapors and liquids.

23.3 Inspect the vent terminal outdoors regularly to make sure that it is not obstructed by dirt, snow, insects, leaves etc.

23.4 Examine the whole vent system regularly. We recommend annually.

24. SERVICING

Battery replacement

This appliance uses a 9 Volt PP3 battery to generate the ignition sparks. The battery supplied should last several years under average conditions. Change the battery if ignition becomes difficult.

The battery is accessible by opening the bottom grille. Fit the new battery firmly to the connections on the ignition block (fig. 80).

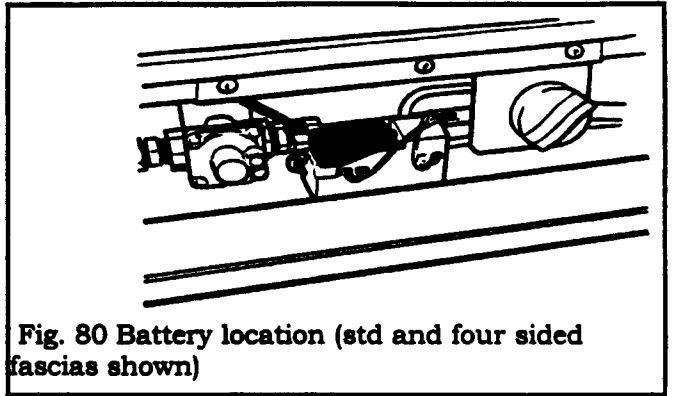


Fig. 80 Battery location (std and four sided fascias shown)

For the cast iron fascia the lower casting will need to be removed first

General servicing

If you require any attention to your appliance, contact your supplier quoting the model number. It will be helpful if the appliance serial number can also be quoted. This is on the rating plate, which is on a chained, plate accessible when the bottom grille is opened, or the bottom casting is removed for the cast iron fascia.

The repair parts are shown in the separate repair parts leaflet. Please always quote part number and description when requesting spare parts.