

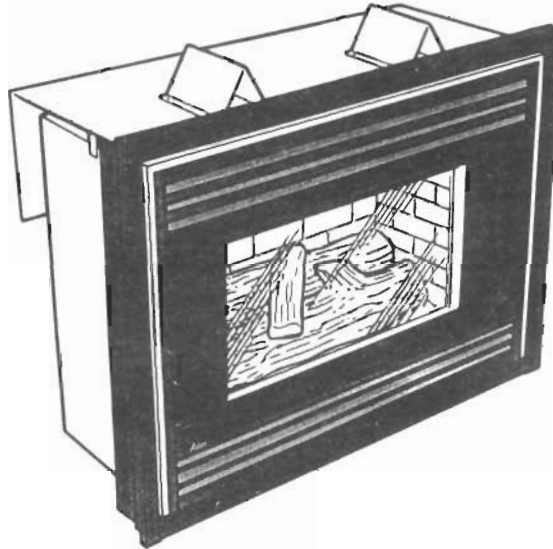


valor Legend



MODEL 836 CNR
DIRECT VENT FIREPLACE
(With Rear Vent)

For use with Natural Gas



FOR YOUR SAFETY

Do not store or use gasoline or other flammable vapors and liquids in the vicinity of this or any other appliance.

WARNING: Improper installation, adjustment, alteration, service or maintenance can cause injury or property damage. Refer to this manual. For assistance or additional information consult a qualified installer, service agency or the gas supplier.

FOR YOUR SAFETY

WHAT TO DO IF YOU SMELL GAS

- Open windows.
- Do not try to light any appliance.
- Do not touch any electrical switches.
- Do not use any phone in your building.
- Extinguish any open flame.
- Immediately call your gas supplier from a neighbor's phone. Follow the gas supplier's instructions.
- If you cannot reach your gas supplier, call the fire department.

INSTALLERS & OWNERS MANUAL

INSTALLER - PLEASE LEAVE THIS MANUAL WITH THE OWNER

Vous pourrez vous procurer un exemplaire en langue Française de cette brochure chez votre concessionnaire

CAUTION

Due to high temperatures, the appliance should be located out of traffic and away from furniture and draperies.

Children and adults should be alerted to the hazards of high surface temperatures and should stay away to avoid burns or clothing ignition.

Young children should be carefully supervised when they are in the same room as the appliance.

Clothing or other flammable material should not be placed on or near the appliance.

The glass and front frame must be put back in place prior to operating the appliance if they have been removed for servicing or cleaning.

Never operate with broken or damaged window glass.

If the window is broken or damaged in any way, it must be replaced as a whole unit. Remove the window unit as described in section 5 of this manual. Search inside and adjacent to the appliance for any glass fragments. Only the authorized VALOR replacement unit listed in the repair parts booklet must be fitted - never use substitutes. Contact your dealer quoting your appliance model number.

This appliance should be installed and repaired by a qualified service person.

The appliance should be inspected before use and at least annually by a professional service person. More frequent cleaning may be required due to excessive lint from carpeting, bedding material, etc. It is imperative that control compartments, burners and circulating air passageways of the appliance be kept clean.

Keep curtains, clothing, furniture and other flammable materials at least 36ins (900mm) from the front and top of the appliance.

Keep the appliance area well clear and free from combustible materials, gasoline and other flammable vapors and liquids. Never attempt to burn paper or any other material in the appliance.

Keep area in front of bottom grill clear to prevent obstruction of air flow to appliance for combustion.

INTERRUPTION OF GAS SUPPLY - If ever there is a break in the flow of gas through the supply system to the appliance (For example, for repair work in the supply system either inside or outside your property), we recommend that the window unit is removed before lighting the pilot. This will allow any air which has become trapped in the supply piping to escape without building up in the firebox before the pilot will light. Wait until the pilot flame is stable before refitting the window but refit it before turning the control to any position other than pilot. Details of how to remove the window are given in the Cleaning section of this manual.

The vent terminal on the outside wall must be kept free from obstructions. The terminal is hot during operation and requires a guard (Part # 235) if it is accessible to any person. No objects should be placed within 2 feet (60cm.) of the vent terminal.

During extreme weather conditions, ensure that the flue outlet is free from ice and snow before attempting to light.

Do not use this appliance if any part has been underwater. Immediately call a qualified service technician to inspect the appliance and to replace any part of the control system and any gas control which has been under water.

If any changes are made to the room construction in the vicinity of the appliance after installation (e.g. additional mantle etc.), make sure that such changes conform to the installation requirements in the manual.

NOTE

On first lighting your new appliance, there may be a slight odor and the appearance of a small amount of vapor. This is normal with new appliances, it is not harmful and will disappear within a short time.

INSTALLATION INSTRUCTIONS

1. GENERAL

This appliance is certified by the Canadian Gas Association and the American Gas Association for installation on an outside wall and for use with natural gas.

The installation must conform with local codes or, in the absence of local codes, with the current CAN/CGA1-B149 Installation Code in Canada or the current National Fuel Gas Code, ANSI Z223.1 in the U.S.A. Only qualified (licensed or trained) personnel should install the appliance.

This appliance is not intended for use with a thermostat.

1.1. Specifications

The rating plate for the appliance is located on the inside left side wall of the case.

1.1.1. Rates (Btu'h)

	MAX.	MIN.
INPUT	20000	9300
OUTPUT	14800	6800

1.1.2. Pressures

	MAX. (in. w.c)	MIN. (in. w.c)
SUPPLY - Upstream of appliance regulator	10.5	5.0
MANIFOLD - Downstream of appliance regulator (at #3 setting)	4.2	3.8

1.1.3. Orifice Data

For verification only. Do not attempt to drill or otherwise modify appliance input

	TYPE	NO OF HOLES	DIA. (ins)
PILOT	AMAL 40	1	0.022
FRONT	CAT 86-300	7	0.025
REAR	CAT18-300	7	0.025

2. LOCATION

2.1. Inside the Room

2.1.1. A framing cavity maintaining the dimensions shown in figure 1 is required. The appliance is designed to allow combustible building materials to be used. Combustible materials within the framing cavity must not be closer to the top of the metal case than the points of the "V" shaped spacers or closer than 1" to any part of the vent duct.

2.1.2. The appliance is designed to be installed into the cavity frame before the finished wall surface is applied. The wall finish then butts against the outer frame. It may be necessary to shim the bottom of the appliance as it normally installs flush with the finished hearth height (including any tile etc). Shimming may not be necessary, however, provided that the finish material applied to the hearth structure is no greater than 1" thick - see detail in figure 1.

2.1.3. The minimum clearances from any combustible constructions at the front of the appliance are shown in fig. 1.

2.1.4. The floor in the fireplace recess must be sufficiently flat and level to support the appliance satisfactorily. Do not place the appliance on carpeting, vinyl or other soft-surfaced floor coverings. Install only on hard surfaced materials. We recommend that a hard surfaced hearth area be maintained at least 12" in front of the fireplace for both aesthetic and maintenance purposes. This may be finished in brick, ceramic tile, marble etc. Raising the hearth slightly will help to minimise dust and lint accumulation under the unit.

If the appliance is installed directly on any combustible material other than wood flooring, the appliance must be installed on a metal or wood panel extending the full width and depth of the appliance.

2.2. Vent Location (Figure 1)

2.2.1. The Vent cap must be located on an outside wall.

- 2.2.2.** The vent unit is suitable for wall thicknesses as shown in *figure 1*. Do not extend the vent beyond the maximum length indicated.
- 2.2.3.** The vent clearance hole required in the wall is 8 3/8" diameter.
- 2.2.4.** The center of the vent hole must be 20" above the bottom of the appliance.
- 2.2.5.** Do not attempt to use any vent material other than that supplied with this appliance.
- 2.3. Outside the Wall**
- 2.3.1.** This direct vent appliance is designed to operate when an undisturbed air flow hits the outside vent terminal from any direction. The minimum clearances from this terminal which must be maintained are shown in *figure 2*. Any reduction in these clearances could result in a disruption of the air flow or a safety hazard. Local codes or regulations may require greater clearances.
- 2.3.2.** The terminal when installed with the vent shield tube and wall plates is suitable for mounting on wood or vinyl siding without requiring additional shielding.
- 2.3.3.** The slots in the vent terminal must not be recessed into a wall or siding.
- 2.3.4.** The vent terminal should be positioned where it will not be covered by any snowdrifts.
- 2.3.5.** **Warning:** If the outside vent terminal is located where it will be accessible to any person, a guard must be fitted over the terminal to prevent damage and to prevent it being touched. The vent terminal becomes very hot when the appliance is in use and can cause burns. A special guard designed for this appliance is available from your supplier - Ask for Valor Part #235 (*see figure 3*).
- 3. SUPPLY GAS**
- This appliance is for use only with Natural Gas. The natural gas supply pressure at the appliance inlet connection should be not less than 5" w.c. and not more than 10.5"w.c. The supply connection is 3/8" NPT. The supply gas feed line should enter the appliance through one of the openings in the appliance case. Openings are provided at the back and right side (*see fig. 1*). See section 8 for gas supply connection details.

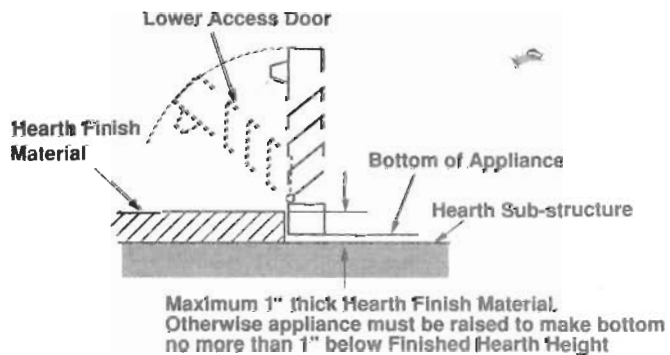
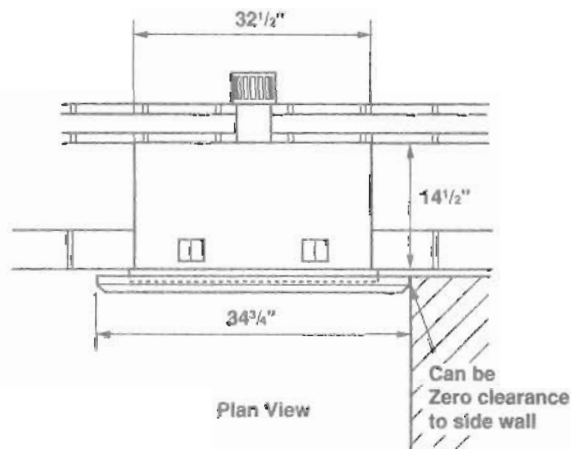
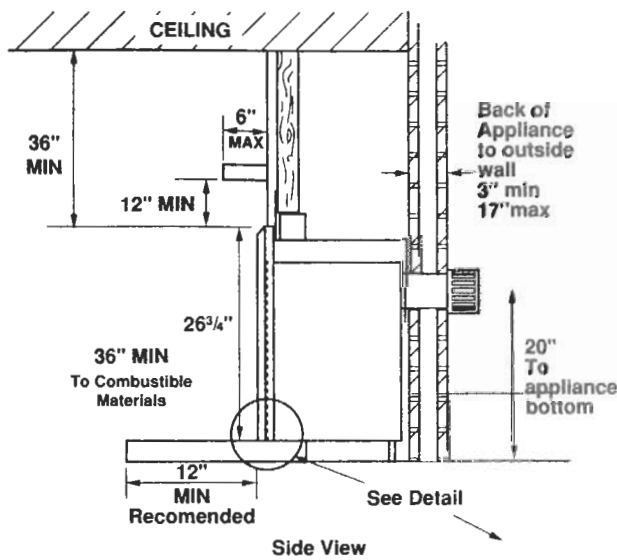
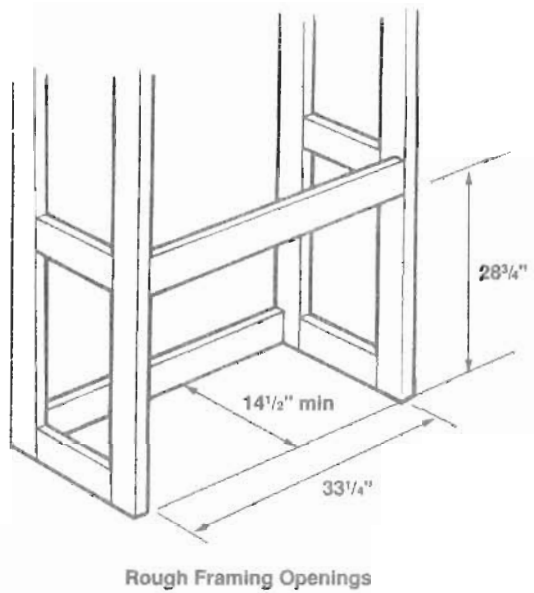
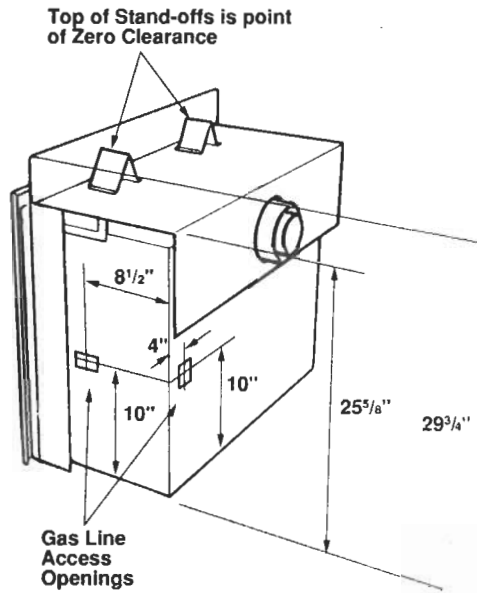


FIG. 1 INSTALLATION DIMENSIONS & CLEARANCES

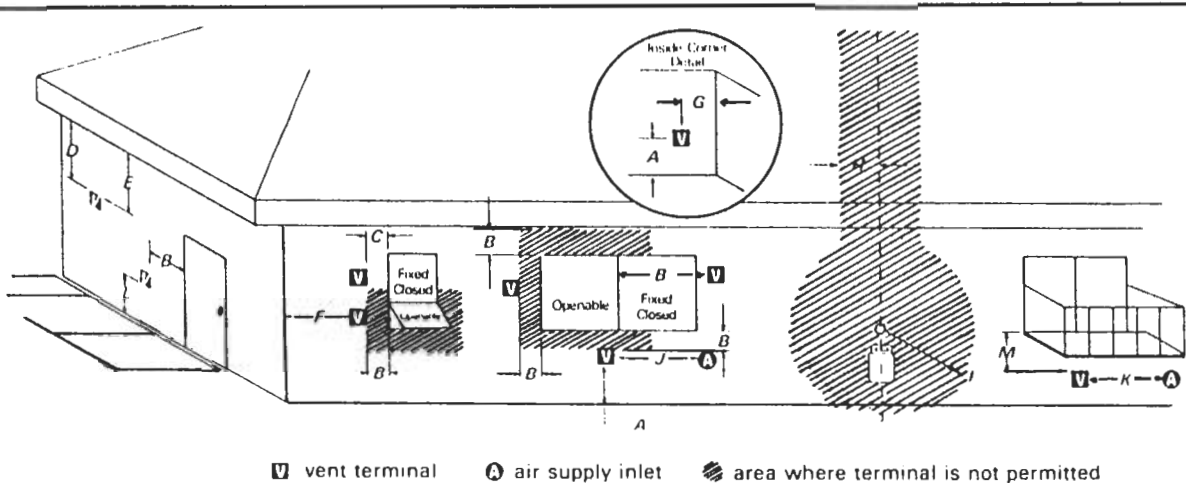


Fig. 2. Vent Terminal Locations

KEY	VENT TERMINAL LOCATIONS - MINIMUM DISTANCES SEE FIGURE 2	MINIMUM CLEARANCE	
		Ins.	Cms.
A	Clearance above grade, veranda, porch, deck or balcony	12	30
B	Clearance to window or door that may be opened	12	30
C	Clearance to permanently closed window (recommended to prevent condensation on window)	12	30
D	Vertical clearance to ventilated soffit located above the terminal within a horizontal distance 2 feet (60cm) from the center-line of the terminal	18	46
E	Clearance to unventilated soffit	12	30
F	Clearance to outside corner	12	30
G	Clearance to inside corner	12	30
H	Horizontal clearance to center-line of a meter/regulator assembly located below the terminal	36	90
I	Clearance to service regulator vent outlet	72	180
J	Clearance to non-mechanical air supply inlet to the building or the combustion air inlet to any other appliance.	12	30
K	Clearance to a mechanical air supply inlet	72	180
L	Clearance above paved side-walk or a paved driveway located on public property. Note: A vent must not terminate directly above a side-walk or paved driveway which is located between two single family dwellings and serves both dwellings.	84	210
M	Clearance under a veranda, porch, deck or balcony	12	30

Note: Local codes and regulations may require different clearances.

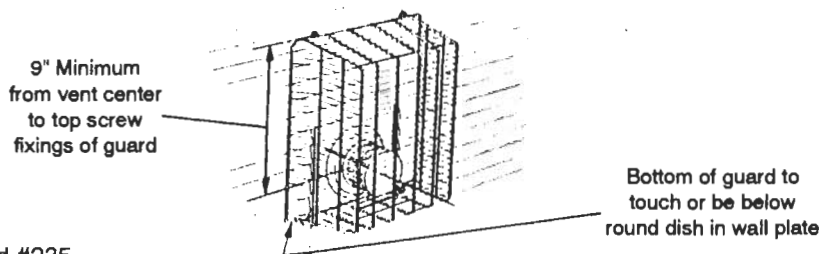


Fig. 3. Terminal Guard #235

4. APPLIANCE PACK CONTENTS

The pack contains:-

- 1 Appliance fitted with window.
- 1 Inner front unit.
- 3 Ceramic Logs.
- 2 Ceramic firebox front bars.
- 1 Pair ceramic firebox side walls.
- 1 Ceramic firebox back wall.
- 1 Top front securing plate.
- 1 Vent terminal unit.
- 1 Styrofoam support (for vent tube cutting).
- 1 Outer vent shield.
- 2 Wall plates.
- 2 Vent securing brackets.
- 4 #8 tapping screws (for top front securing plate).
- 16 Wall plugs (for wall plates).
- 20 Wood screws (for wall plate & top front securing).
- 4 #10 nuts & screws (for vent shield tube).
- 4 #6 tapping screws (for vent securing).
- 1 Cardboard front protection sheet (Do not discard until installation is complete - see instruction section 18).

Take care when removing the contents from the packaging to prevent damage. Check that all the contents are in the pack and are undamaged.

5. APPLIANCE PREPARATION

5.1. Remove Window & Logs (See Fig. 4).

- 5.1.1. Detach the window unit by removing the knurled nut and 8 knurled screws holding the sides and bottom of the unit.
- 5.1.2. Lift the window unit up and forwards to unhook the top. Put the window in a safe place.
- 5.1.3. Take the ceramic logs out of the firebox and store in a safe place.

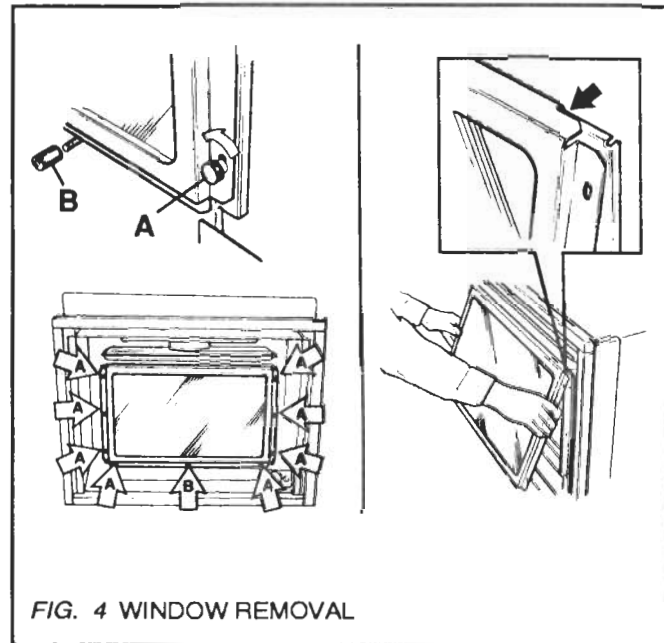


FIG. 4 WINDOW REMOVAL

5.2. Check Ignition Electrode Spark (see fig. 5)

Pilot Ignition is by a spark produced when the ignition button (situated at the right side of the burner) is pushed in. Check that a spark is produced at the pilot burner when the button is pushed in.

If there is no spark, check that the wiring is secure and that the spark gap is $3.5\text{mm} \pm 0.5\text{mm}$. Replace parts if necessary.

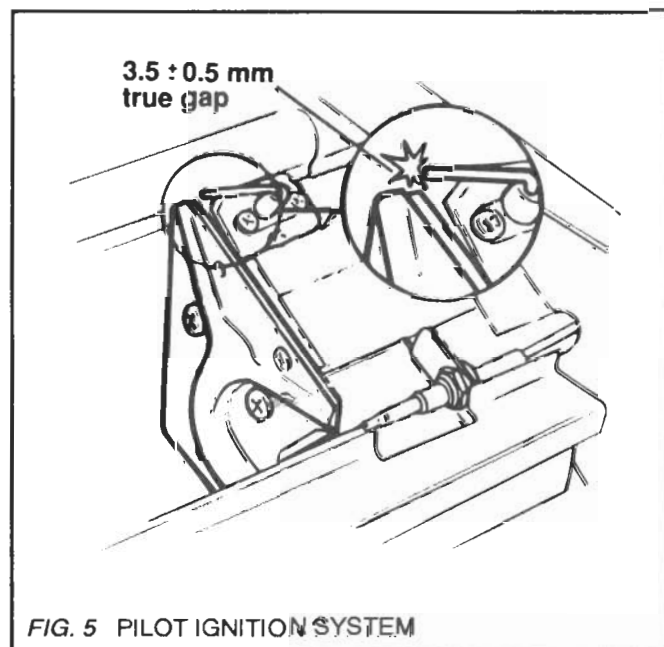


FIG. 5 PILOT IGNITION SYSTEM

5.3. Fit Top Front Securing Plate

Attach the securing plate to the top front edge of the appliance with 4 #8 tapping screws supplied (see figure 6).

6.

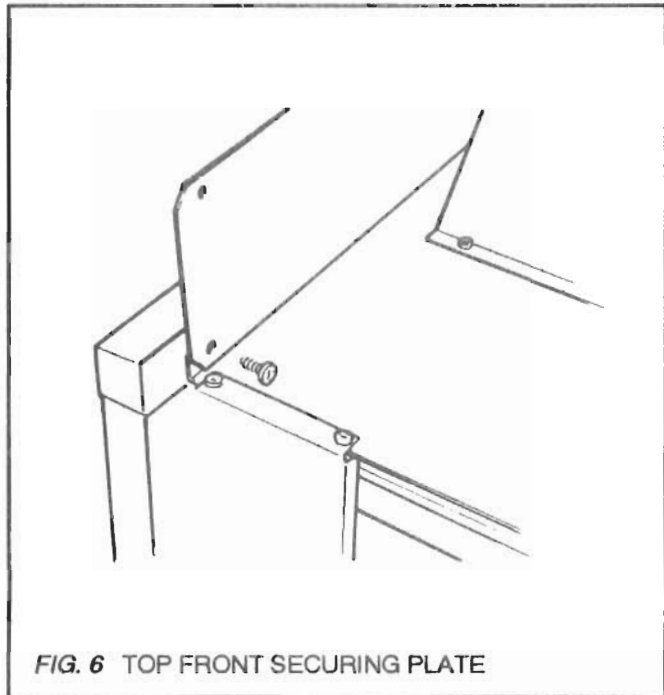


FIG. 6 TOP FRONT SECURING PLATE

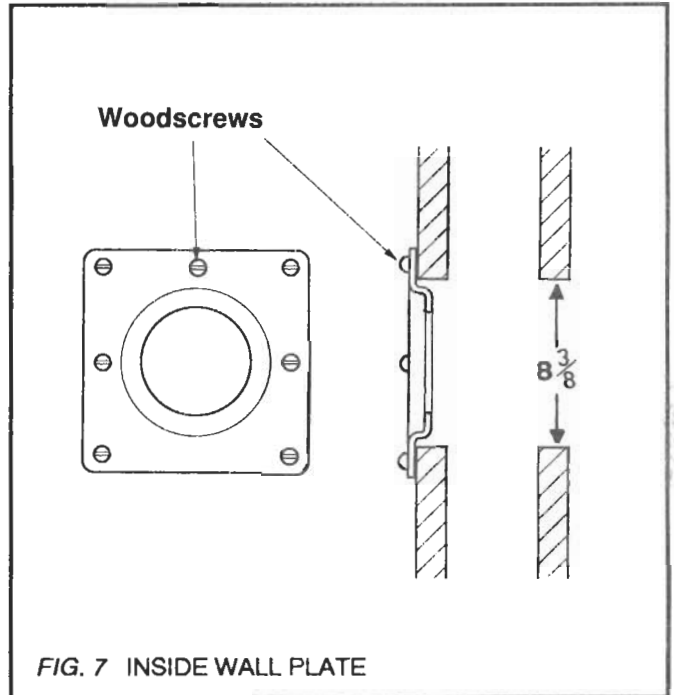


FIG. 7 INSIDE WALL PLATE

6. PREPARE VENT OPENING

6.1. Important:

Before cutting the vent opening in the wall make sure that the installed distance to the bottom of the appliance is known. The center of the vent hole must be 20" above the bottom of the appliance. Once the vent opening in the wall is cut it will not be possible to alter the position of the appliance without re-cutting the wall.

6.2. Place dust sheets on floor and over any furnishings etc. in the vicinity.

6.3. Mark the center of the vent hole on the wall.

6.4. Cut 8 3/8" diameter vent hole through the wall making sure that it is straight and level.

6.5. Install inside wall plate (see figure 7).

6.5.1. Place a wall plate against the wall with the dished projection seated inside the hole in the wall.

6.5.2. Mark the wall plate fixing holes. Remove the plate.

6.5.3. Drill the plate fixing holes in the wall. Insert wall plugs if necessary.

6.5.4. Replace the plate in the wall. Fix the plate to the wall with the woodscrews provided.

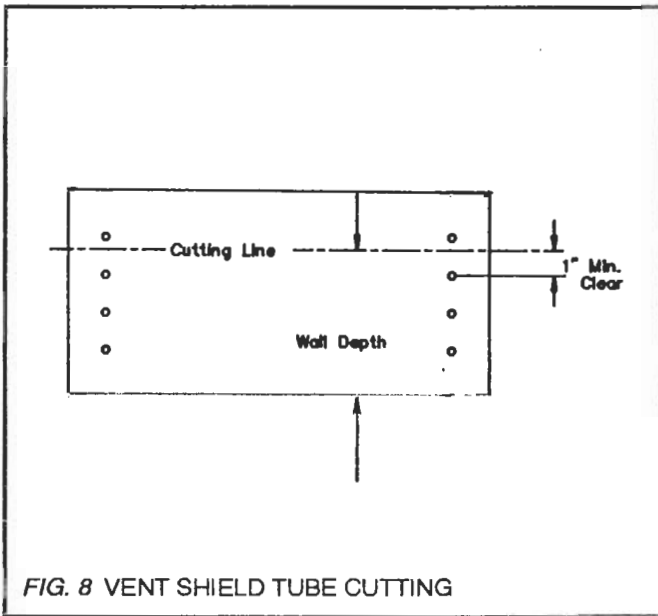
6.6. Prepare & Install outer vent shield tube.

6.6.1. Measure the total wall depth from its outside surface to the finished surface in the room.

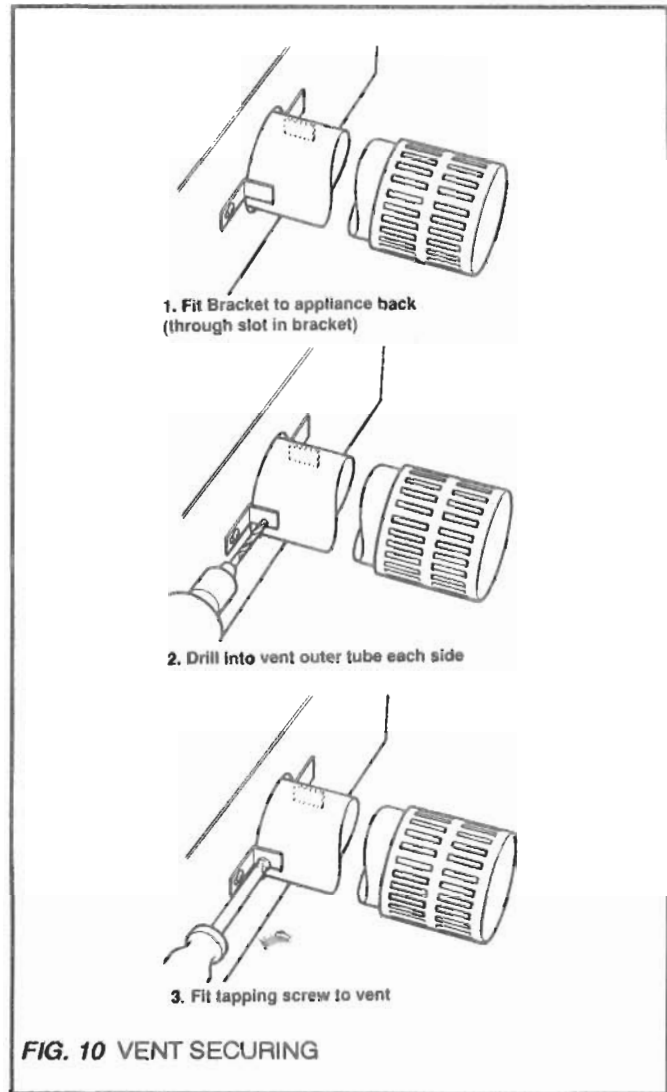
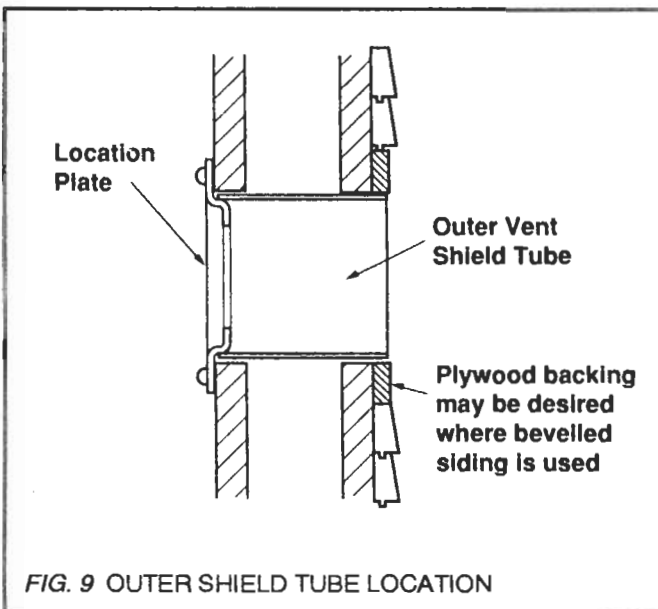
6.6.2. The tube is supplied coiled around the vent terminal unit. Flatten it and cut exactly to the total wall depth. Make sure that the cutting line is at least 1" away from the nearest bolt hole (see figure 8).

6.6.3. Form the shield into a tube with the holes aligned. Fasten using the #10 bolts and nuts provided with the bolt heads outside.

6.6.4. Insert the shield tube into the wall from the outside wall. Push the tube firmly in so that it locates fully over the dished diameter of the inside wall plate. Trim the tube if necessary (see figure 9). The outside end of the tube can be temporarily held in place by inserting wedges of cardboard, wood etc. round the wall hole to prevent tilting.



- 7.3. Fit the vent unit fully over the appliance inlet and outlet collars pushing on firmly. **Make sure that the seam on the outer tube is not at the bottom.**
- 7.4. Drill into the vent unit outer tube to take a #6 tapping screw through the hole in each vent securing bracket. **Make sure that the drill does not penetrate the inner vent tube (see figure 10).** Secure the vent unit to the brackets with the #6 screws supplied (see figure 10).



7. INSTALL VENT UNIT.

- 7.1. Mark the vent unit at a length **of total wall depth plus 4 5/16"** measured from the **outside end** of the vent cap (if back of appliance is not going to touch the wall, also add on the gap distance). Insert the styrofoam supporting ring and push it as close to the marked position as possible. Cut off the vent tubes squarely at the marked position. **Make sure that all styrofoam is removed from the vent unit after cutting.**
- 7.2. Fit the two vent securing brackets to the back of the appliance with two of the #6 screws supplied (see figure 10).

- 7.5. Locate the appliance in its final position in the cavity with the vent unit projecting through the wall. The top front securing plate should be against the top cross member of the enclosure frame.
- 7.6. Fix the appliance top to the enclosure frame with 4 woodscrews through the top securing plate.

- 7.7. Place the remaining wall plate over the outside wall end of the vent unit with the dished projection facing inside. Push the plate up to the wall so that the dished projection locates inside the vent shield tube - see figure 11. (Remove any temporary securing wedges). If possible while still maintaining a sound connection to the appliance, slope the vent unit very slightly down towards the outside so that any rain will run away from the appliance. **The vent unit should never slope down into the appliance. This could cause water to accumulate in the appliance.** Mark the wall plate fixing holes on the wall. Remove the plate.
- 7.8. Drill the fixing holes in the wall and insert plugs if necessary.
- 7.9. Replace the wall plate locating it firmly inside the shield tube. Make sure that the slots in the terminal end cap are outside the wall plate (see figure 11).
- 7.10. Line up the screw holes and start the mounting screws. Apply a clear silicone rubber sealant under the edges of the wall plate and tighten the screws. Apply a bead of silicone sealant around the vent tube where it exits the wall plate - see figure 11.

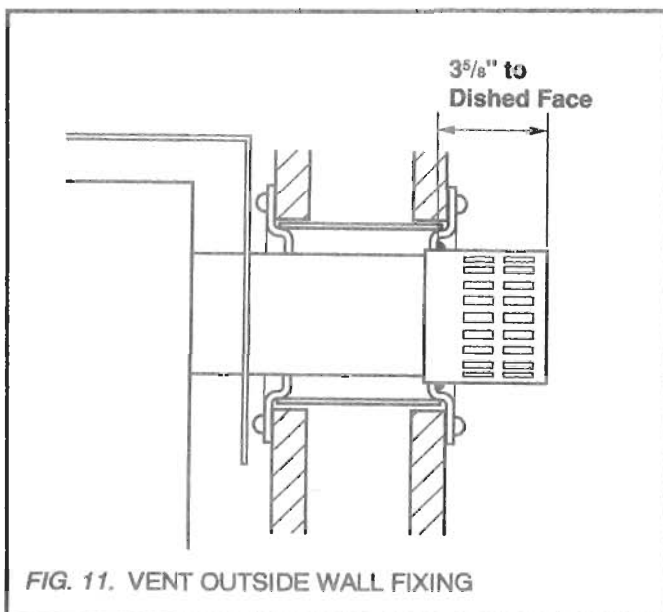


FIG. 11. VENT OUTSIDE WALL FIXING

8. CONNECT THE GAS SUPPLY

- 8.1. Openings for the gas supply line entry are provided at the back and right side (see fig. 1). The appliance is supplied with a plate covering the back opening. The opening at the right side for the supply line is uncovered as supplied. If the supply line is to enter through

the back, remove the plate and refit it over the right side opening.

- 8.2. Route the supply gas line to the inlet connector attached to the regulator inlet (see fig. 12). **Note:** Pressure testing the line for leaks may need to be performed before line is connected to the appliance - see section 9.
- 8.3. Gas connection to the appliance is 3/8" NPT.

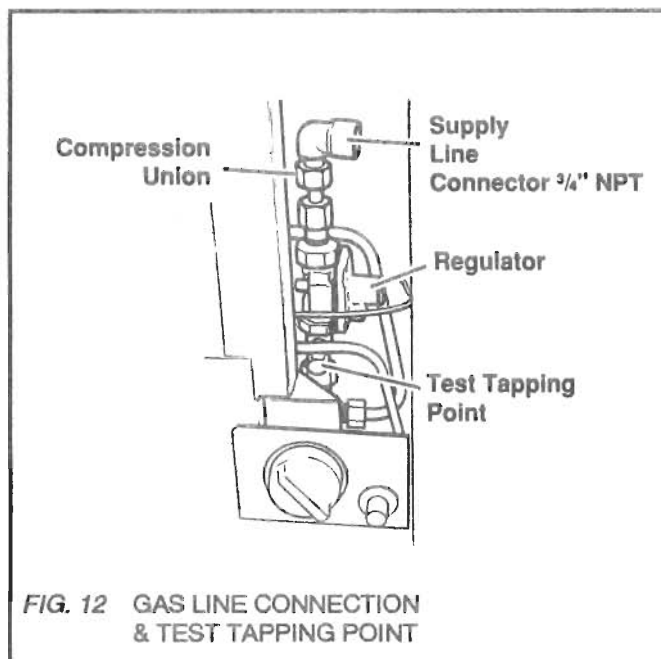


FIG. 12 GAS LINE CONNECTION & TEST TAPPING POINT

- 8.4. Use only new black iron or steel pipes or copper tubing if acceptable - check local codes. **Note:** In U.S.A. copper tubing must be internally tinned for protection against sulfur compounds.
- 8.5. Unions in gas lines should be of ground joint type.
- 8.6. The gas supply line must be sized and installed to provide a supply of gas sufficient to meet the maximum demand of the appliance without undue loss of pressure.
- 8.7. Sealants used must be resistant to the action of all gas constituents including L.P. gas. Sealants should be applied lightly to male threads to ensure excess sealant does not enter gas lines.
- 8.8. The supply line should include a manual shut-off valve to allow the appliance to be disconnected for servicing.
- 8.9. A plugged 1/8" NPT tapping must be installed in the line. The tapping must be accessible for test gauge connection and be immediately upstream of the gas supply connection to the appliance.

9. CHECK SYSTEM

9.1. Pressure Test the Supply Line for Leaks

- 9.1.1. The appliance and its individual shutoff valve must be disconnected from the gas supply piping system during any pressure testing of that system at test pressures in excess of 1/2psig (3.5kPa).
- 9.1.2. The appliance must be isolated from the gas supply piping system by closing its individual manual shutoff valve during any pressure testing of the gas supply piping system at test pressures equal to or less than 1/2psig (3.5kPa).
- 9.1.3. Failure to either disconnect or isolate the appliance during pressure testing may result in regulator or valve damage. Consult your dealer in this case.

9.2. The appliance is preset to give the correct input with natural gas. For input adjustment, the gas supply pressure to the appliance inlet must be a minimum of 5" w.c. The Maximum inlet gas supply pressure is 10.5" w.c.

9.3. The burner manifold pressure is controlled by a built-in non-adjustable regulator. The manifold pressure must be between 3.8" w.c. and 4.2" w.c. The manifold pressure should be checked at the pressure test point which is located immediately downstream of the regulator (see fig. 12). The pressure check should be made with the appliance burning and the control set at position 3.

9.4. All piping and connections must be tested for leaks after installation or servicing. All leaks must be corrected immediately.

When testing for leaks:-

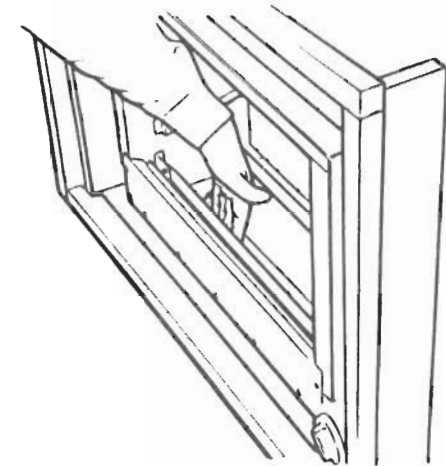
- 9.4.1. Make sure that the appliance control knob is at the OFF position.
- 9.4.2. Open the manual shut-off valve.
- 9.4.3. Test for leaks by applying a liquid detergent or soap solution to all joints. Bubbles forming indicate a gas leak. **NEVER USE AN OPEN FLAME TO CHECK FOR LEAKS.**
- 9.4.4. Correct any leak detected immediately.

10. CHECK PRESSURE RELIEF SYSTEM

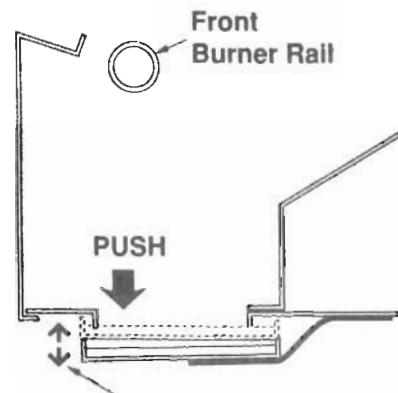
The appliance is fitted with a pressure relief system. Its purpose is to allow the safe relief of pressure in the unlikely event of a build up of gas in the fire box before ignition takes place.

Relief is attained by the pressure pushing open the two spring loaded plates located

under the fire box below the front burner. This allows some gas to safely escape. The plates will then return to their closed position. Test the action of both plates by pushing them open and checking that they return to the closed position - see figure 13.



Push with finger tips



Check that plates open and spring shut
SIDE SECTION

FIG 13 PRESSURE RELIEF SYSTEM CHECK

11. CHECK AERATION SETTING

Check that the burner aeration shutters are correctly positioned - see section 15 for full details.

For the majority of installations no further adjustment will be necessary. In a few instances, performance may be improved by adjusting the aeration but this will not be able to be properly determined until the appliance is operated with the logs and window installed.

12. ASSEMBLE CERAMIC FUEL BED

12.1. Place the ceramic back wall in position centrally at back of the firebox. It must rest on the metal ledge at the back of the firebox (see fig. 14).

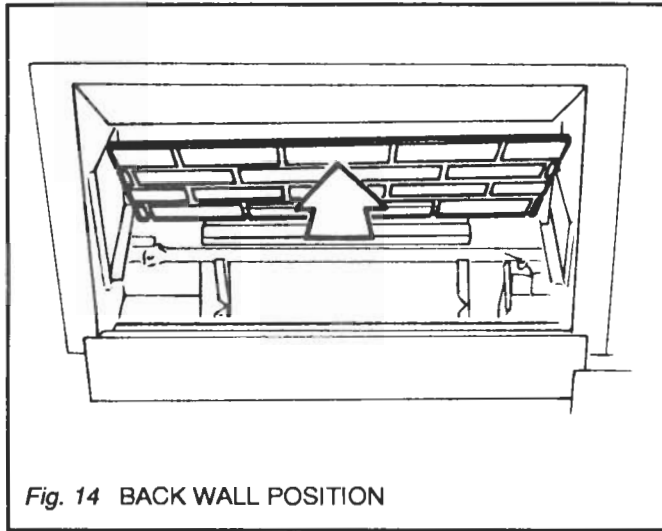


Fig. 14 BACK WALL POSITION

12.2. Place the ceramic side walls in position at the sides of the firebox. The sides are left and right handed. The sides should locate in the sloping channels near the bottom of the fire box sides and in the gap between each side of the fire box and the black top baffle. (see figure 15).

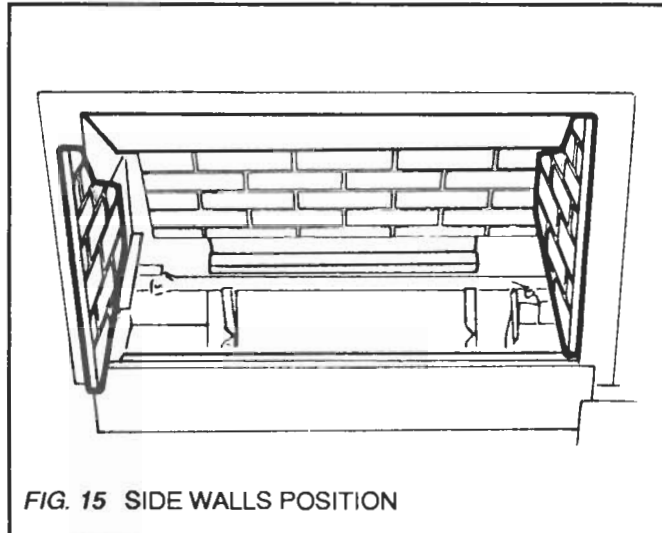


FIG. 15 SIDE WALLS POSITION

12.3. Place the rear log (the log without a branch) in the retaining cradle behind the rear burner tube with its back against the back wall (fig. 16). Center the log so that the gap to the side wall is the same at each side.

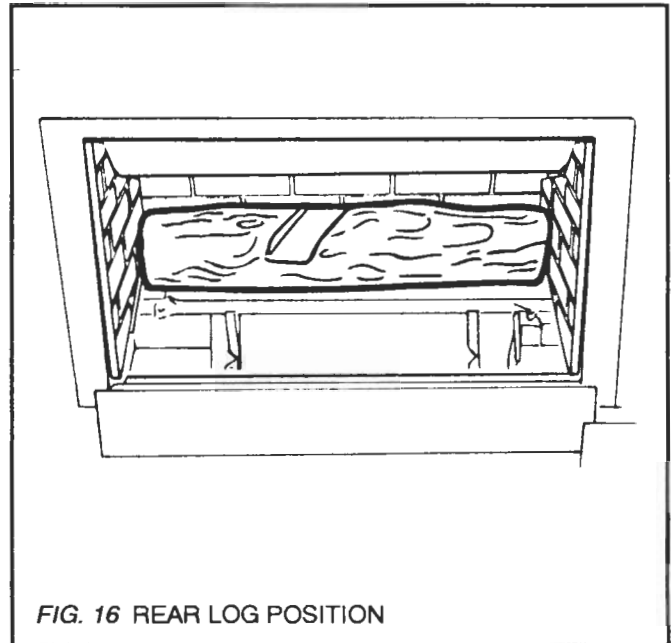


FIG. 16 REAR LOG POSITION

12.4. Place the front log on the retaining cradles between the rear and front burner tubes (fig. 17). Center the log so that the gap to the side wall is the same at each side.

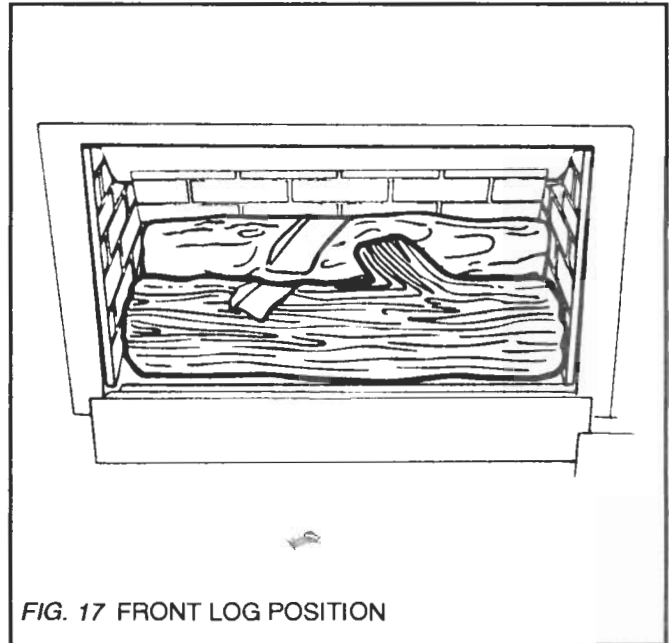


FIG. 17 FRONT LOG POSITION

12.5. Place the cross log in position (see fig. 18). The front of this log is indicated by the letter "F" embossed on its underside. Make sure that the front of the log is seated inside the hollow in the front log and is not raised in front of it.

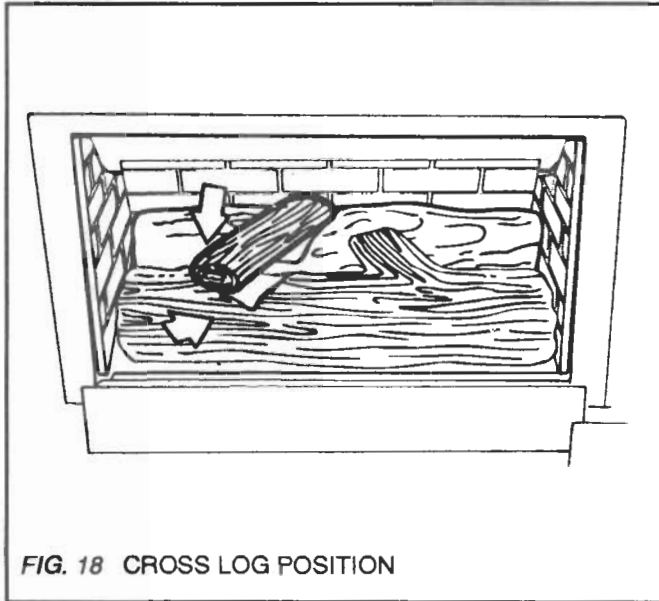


FIG. 18 CROSS LOG POSITION

- 12.6. Place the two ceramic bars over the front rail of the fire box - see figure 19.

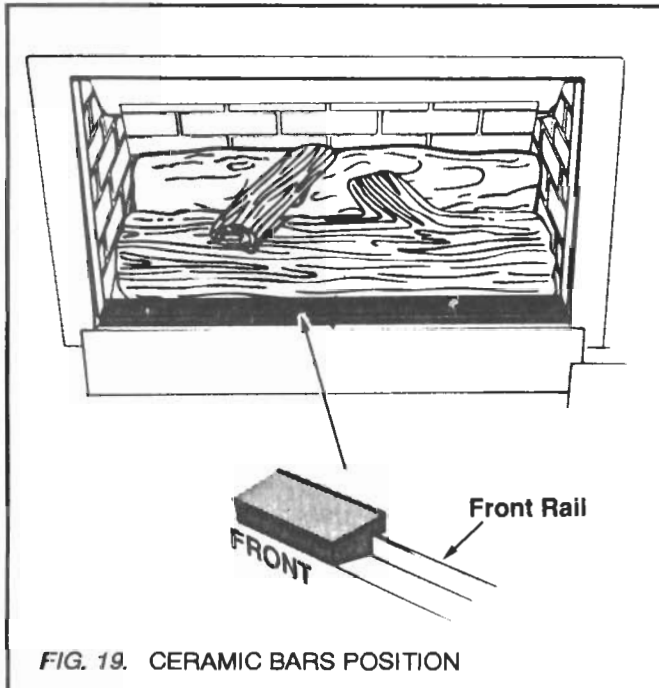


FIG. 19. CERAMIC BARS POSITION

13. CHECK OPERATION OF CONTROLS

Check ignition, and all control settings as described in the lighting instructions section further on in this manual.

14. REFIT WINDOW

- 14.1. Hook the top of the window frame over the firebox top front edge and swing down over the lower locating stud.
- 14.2. Secure the window unit in place by refitting the knurled nut and 8 knurled screws at the sides and bottom of the window frame.

15. AERATION ADJUSTMENT

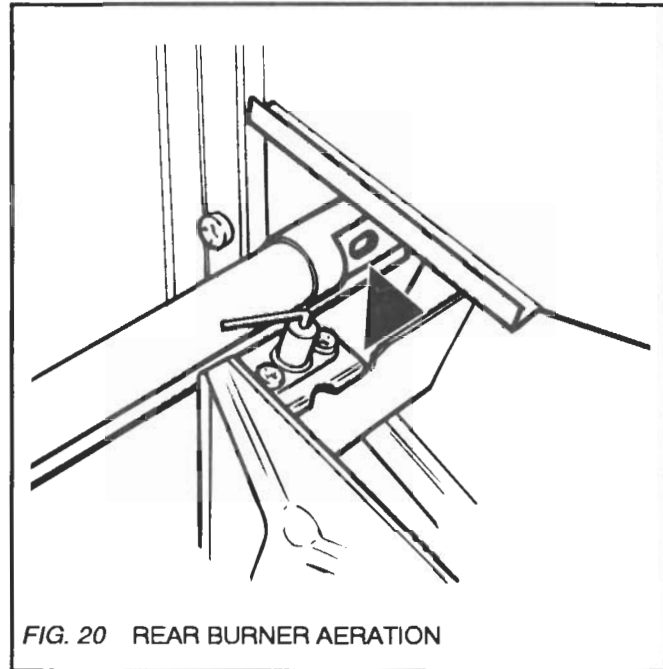


FIG. 20 REAR BURNER AERATION

- 15.1. The rear burner tube is equipped with an adjustable shutter to control primary aeration. The air holes are at the right side of the tube. The appliance is supplied with the front air hole open 100%, the top hole closed and the rear hole open 30% (see figure 20). For the majority of installations no adjustment will be necessary. However, in a few instances, performance may be improved by adjusting the aeration. Aeration is adjusted by sliding the shutter to the left or right.
- 15.2. Front burner aeration is not adjustable.
- 15.3. Evaluate the aeration only after the unit has warmed up (approximately 15 minutes). Increasing aeration (by sliding the shutter to the left) will cause the flame to appear more transparent and blue revealing more glow in the logs. Decreasing aeration (by sliding the shutter to the right) will cause the flame to appear more yellow or orange revealing less glow in the logs. Too little aeration may result in black carbon forming and dropping into the firebox.

16. FIT INNER FRONT UNIT

Hook the inner front unit over the two studs at each side of the appliance frame (see figure 21).

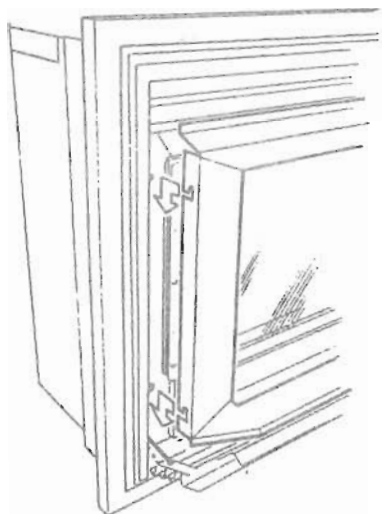
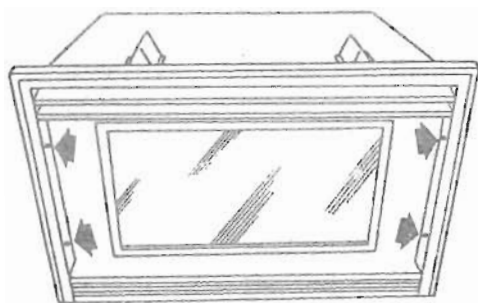


FIG. 21. INNER FRONT LOCATION

17. FINAL CHECK

- 17.1. Recheck ignition and control settings operation.
- 17.2. Instruct the owner how to operate the appliance.
- 17.3. Warn that if the ceramic window unit is damaged, the appliance must be **turned off immediately and not used until the window is replaced.**
- 17.4. Advise that, if necessary, the window may be removed when the appliance is shut off and cold to clean the inside or reset the logs if disturbed. Stress that the window must be replaced securely before operating the appliance.
- 17.5. Recommend that the appliance is inspected and if necessary serviced at least once a year.

- 17.6. Point out the location of the supply pipe shut off valve and its operation.
- 17.7. Point out the location of the vent terminal. Advise that for safe and efficient operation, no objects should be placed within 2 feet (60cm) of the vent terminal.
- 17.8. Close the bottom hinged grill.

18. PROTECTION WHEN FINISHING FIREPLACE.

The appliance is supplied with a sheet of cardboard covering the front of the appliance. This sheet can be used to protect the front of the appliance while finishing the fireplace surface. The sheet can be held in place by folding the top inside the top rail of the outer frame and/or fixing to the outer surround with adhesive tape.

Make sure that any adhesive from the tape is cleaned from the surround on completion before using the appliance.

19. OPERATING PROCEDURE

(The operating instructions are also on a chained plate at left side of the fire box accessible by opening the bottom grill)

- 19.1. For your safety this appliance is fitted with a Flame Supervision Device which will shut off the gas supply if, for any reason, the pilot flames go out. This device incorporates a fixed probe which senses the heat from the pilot flame. If the probe is cool the device will prevent any gas flow unless the control knob is held in at the IGN. position. (see the Lighting Instructions on next page).
- 19.2. Open the bottom grill to get access for operating the controls. Close the grill when you have finished operating the controls.
- 19.3. When first turned on, the decorative flames will appear predominantly blue. After approximately 15 minutes these flames will turn yellow.
- 19.4. When first used, you may hear a crackling noise from the logs. This is normal while the ceramic material stabilises and will disappear after a short period of use.
- 19.5. After approximately three hours use at the high control setting the logs will show areas of charcoal gray color as would real burning logs.

CONTROL SETTINGS		
KNOB SET AT	FLAME EFFECT	
	FRONT	BACK
IGN	Pilot only	
1	OFF	LOW
2	ON	LOW
3	ON	HIGH

20. LIGHTING IF SPARK IGNITER FAILS

In the unlikely event of failure of the ignition spark, the appliance can be lit as follows:-

- 20.1. Remove the inner front unit.
- 20.2. Remove the window unit.
- 20.3. Insert a long burning match to the pilot.
- 20.4. Operate the control knob as described in the lighting instructions.
- 20.5. Ensure that the pilot flame is stable.
- 20.6. Replace the window unit securely **before turning to any control setting other than pilot.**
- 20.7. Replace the inner front unit.
- 20.8. Select burner setting.
- 20.9. Close control access panel.

21. CLEANING

- 21.1. All cleaning should be carried out when the appliance is cold. Normally, the appliance should only need dusting.
- 21.2. Any stains on the ceramic glass window can be removed with a non-abrasive cleaner.
Never use abrasive cleaners on the glass.
- 21.3. Dust etc. can be brushed from the logs using a soft brush after detaching the inner front unit and window. If you are removing the logs, we suggest that they are removed in the reverse order to that shown in the fuel bed assembly instructions.
- 21.4. The logs, ceramic bars, window and inner front unit must be replaced after any cleaning as shown in the installation instructions section.
- 21.5. Coloring of the interior of the metal fire box with use is normal.

FOR YOUR SAFETY READ BEFORE LIGHTING

WARNING If you do not follow these instructions exactly, a fire or explosion may result causing property damage, personal injury or loss of life.

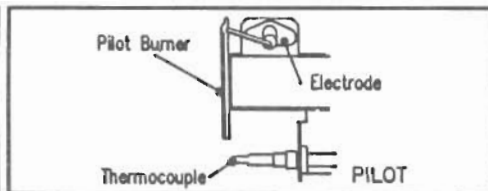
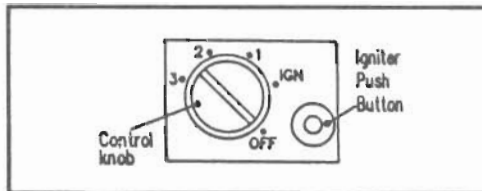
- A. This appliance has a pilot which must be lighted by hand. When lighting the pilot, follow these instructions exactly.
- B. **BEFORE LIGHTING** smell all around the appliance area for gas. Be sure to smell next to the floor because some gas is heavier than air and will settle on the floor.
WHAT TO DO IF YOU SMELL GAS.
 - Do not try to light any appliance.
 - Do not touch any electric switch; do not use any phone in your building.
 - Immediately call your gas supplier from a neighbor's phone. Follow the gas supplier's instructions.
 - If you cannot reach your gas supplier, call the fire department.
- C. Use only your hand to push in or turn the gas control knob. Never use tools. If the knob will not push in or turn by hand, don't try to repair it, call a qualified service technician. Force or attempted repair may result in a fire or explosion.
- D. Do not use this appliance if any part has been under water. Immediately call a qualified service technician to inspect the appliance and to replace any part of the control system and any gas control which has been under water.

LIGHTING INSTRUCTIONS

STOP! Read the safety information above.

During extreme weather conditions, ensure flue outlet is free of ice and snow before attempting to light.

1. Turn the control knob clockwise  to "OFF".



2. Wait five (5) minutes to clear out any gas. If you then smell gas, STOP! Follow "B" in the safety information above. If you don't smell gas, go to next step.
3. Find the pilot. It is at the right side of the firebox.
4. Push in control knob and turn counterclockwise to "IGN".
5. Push knob further in for a few seconds to allow gas flow then press igniter button to light gas. If gas does not light, press button again.
6. Hold the control knob in for a further five (5) seconds then release. The pilot should remain alight.
7. Select required burner setting (The knob should be depressed slightly when changing settings). If pilot does not light or remain alight, repeat steps 2 through 7. If pilot does not light at all during a few attempts, try lighting with long match as described below.
8. Replace control access panel.
 - If pilot does light but will not stay alight after several tries, turn the gas control to "OFF" and call your service technician or gas supplier.
Match Lighting: After removing the window unit, apply a long match to the pilot while control knob is pushed in and at the "IGN" position - see instruction manual. Always replace the window unit after match lighting the pilot.
 - Do not operate between the setting positions.
 - The knob should pop out when released. If it does not stop and immediately call your service technician or gas supplier.

TO TURN OFF GAS TO APPLIANCE

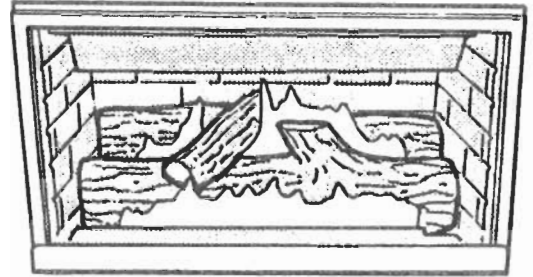
Push in control knob slightly and turn clockwise  to "OFF". Do not force.

22. CHECKS

- 22.1. A periodic visual check of the pilot and burner flames should be made (see figs. 22 & 23).
- 22.2. The appliance area must always be kept clear and free from combustible materials, gasoline and other flammable vapors and liquids.
- 22.3. Inspect the vent terminal outdoors regularly to see that it is not obstructed by dirt, snow, insects, leaves etc.
- 22.4. Examine the vent system periodically. We recommend annually.

23. SERVICING

- 23.1. If you require any attention to your appliance, contact your supplier quoting the model number. It is helpful if the appliance serial number is also quoted. This will be found on the appliance rating plate which is located on the left side of the appliance case. It is visible when the inner front unit is removed.
- 23.2. The repair parts are shown on the repair parts leaflet. Please always quote Part Number and description with requests for spares.



CORRECT



WRONG

FIG. 22 BURNER FLAMES

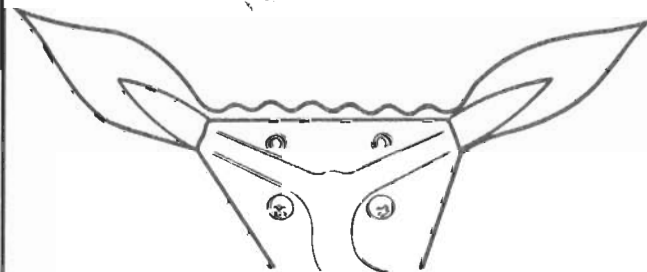


FIG. 23 PILOT FLAMES

Manufactured by

VALOR HEATING

ERDINGTON ■ BIRMINGHAM ■ ENGLAND

Distributed in Western Canada and the U.S.A. by

MILES INDUSTRIES LTD.

829 Third Street West, North Vancouver B.C. V7P 3K7

Ph. (604) 984-3496 Fax (604) 984-0246

Distributed in Eastern Canada by

VALTECH HEATING LTD.

6660 Kennedy Road, Mississauga, Ontario, L5T 2M9

Ph. (416) 795-0333 Fax (416) 795-0336

Because our policy is one of constant development and improvement, details may vary slightly from those given in this publication.