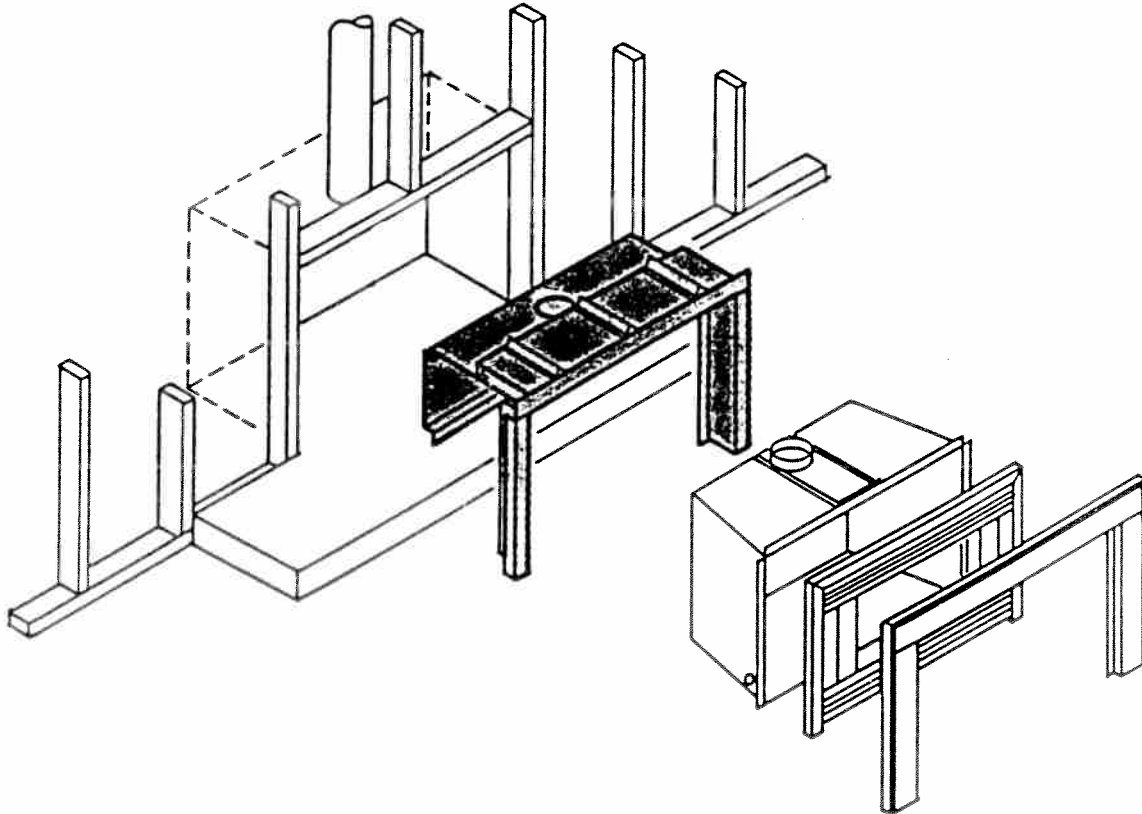
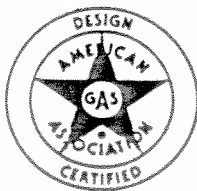


#700 ZCK ZERO CLEARANCE KIT INSTALLATION INSTRUCTIONS



ONLY FOR USE WITH VALOR APPLIANCE MODEL 736CN



Valor
Legend



PLEASE LEAVE THESE INSTRUCTIONS WITH THE USER

Distributed by Miles Industries Ltd.
829 West Third Street,
North Vancouver, B.C. Canada V7P 3K7
Tel: (604) 984-3496 Fax: (604) 984-0246

These instructions are to be read in conjunction with relevant parts of the Installation Instructions for Valor model #736CN packaged with the appliance.

1. GENERAL

Model 700ZCK zero clearance kit must be used when installing heater model 736 into an enclosure constructed of combustible material and connected to an approved type 'B' vent.

2. FRAMING

Minimum clearances to combustible materials and framing details are shown in fig. 1, 2 and 3. The zero clearance kit and heater install during framing stage before wall finish is applied. **Thickness of wall finish and height of finished hearth must be known before installing the appliance.** Note that the front edge of the zero clearance kit installs flush with the planned finish wall surface (including any tile etc.) and the bottom of the kit installs at the planned finish hearth height (including tile etc.).

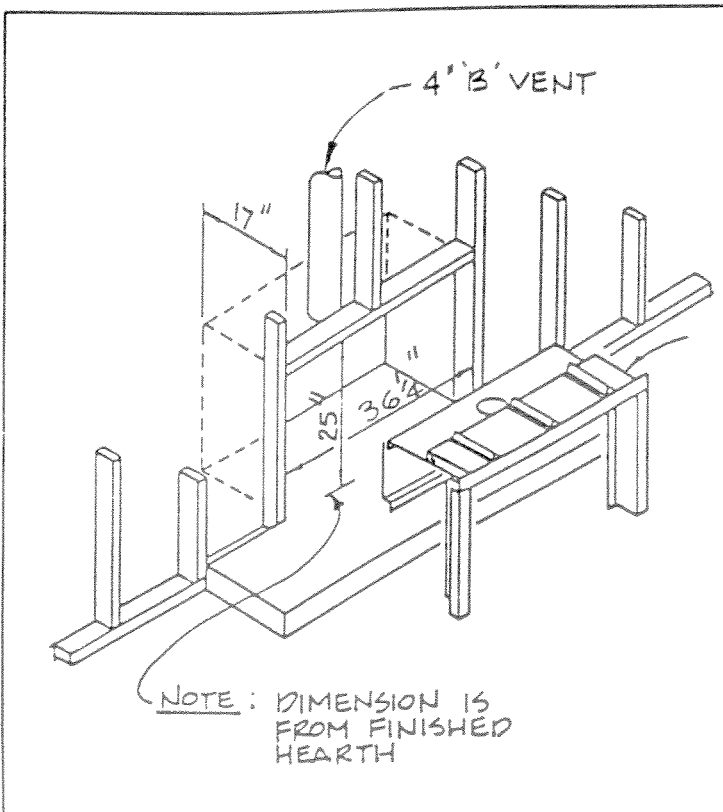


Figure #1:
Dimensions of framed opening.

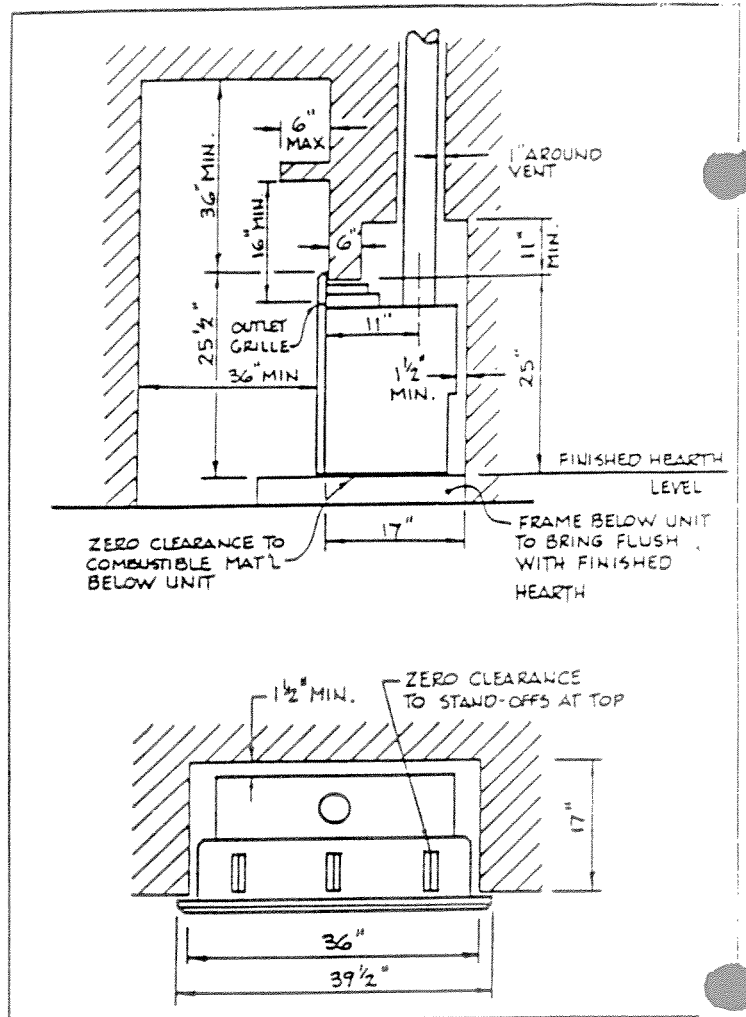


Figure #2:
Minimum clearances to combustible materials.

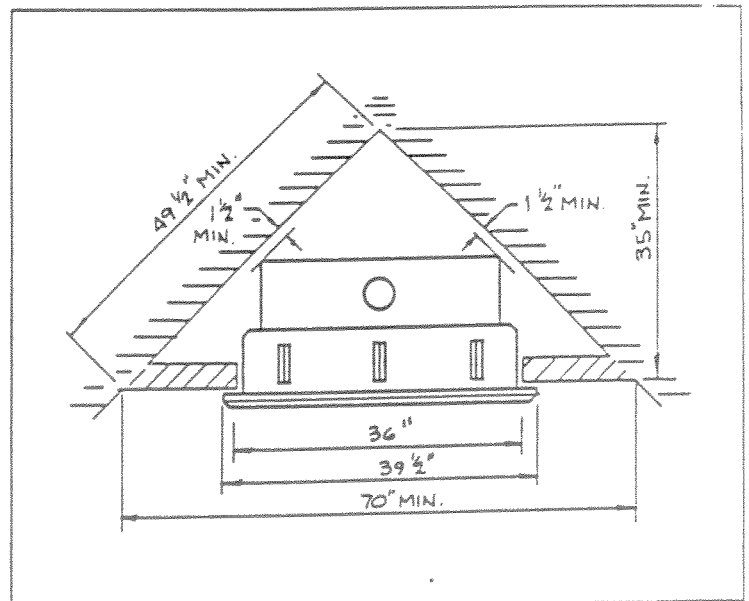


Figure #3:
Corner installation - framing dimensions

3. CONTENTS

ZERO CLEARANCE KIT CONTENTS (see fig.4)

- 1 rear panel
- 1 top panel
- 1 top front unit with securing bolts
- 1 left side upright
- 1 right side upright
- 2 top support spacers
- 1 vent clamping collar
- 1 pack of screws

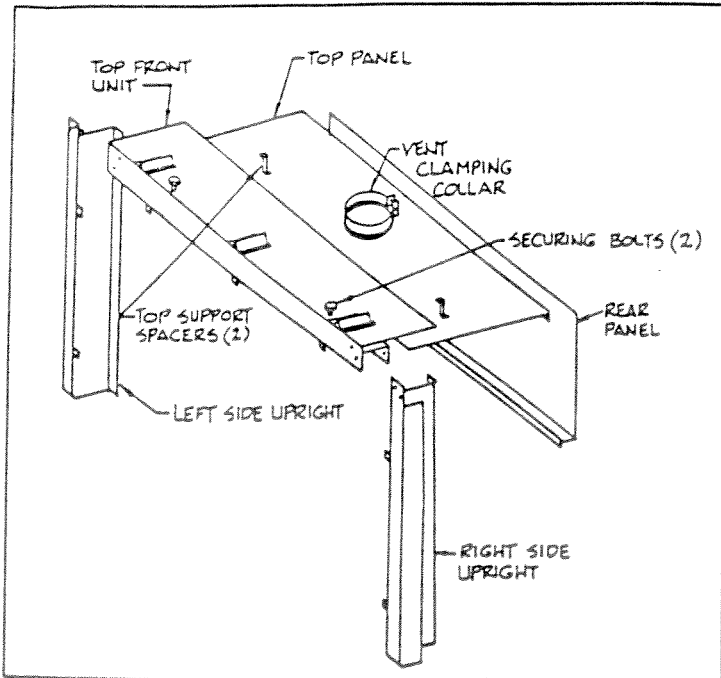


Figure #4:
Kit contents and part names

Check that all contents are there and in good condition.

4. PREPARATION

PREPARE MODEL 736CN (refer to 736CN installation instructions)

- 4.1 Unhook the inner front unit and lift clear. Put the unit in safe place.
- 4.2 Detach the window unit by removing the two knurled screws at the bottom corners of the window. Lift the window up and forwards to unhook the top. Put the window in a safe place.
- 4.3 Take the ceramic parts out of the firebox and store in a safe place.

- 4.4 Detach the front frame by unscrewing two screws each side. The lower screws are accessible when the bottom grill is opened.
- 4.5 Pilot ignition is by spark produced when the ignition button (located at the right side of the burner) is pushed in. If there is no spark, check that the wiring is secure. Replace parts necessary.
- 4.6 Remove the metal plates covering the lower

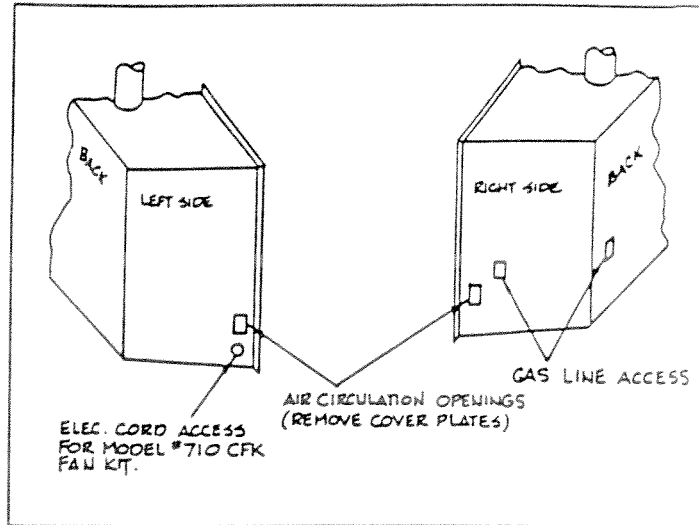


Figure #5:
Access & Circulation Panel location.

openings at the case sides. These openings are to allow cooling air to circulate within the channels of the zero clearance kit (see fig. 5)

5. ASSEMBLE THE ZERO CLEARANCE KIT

- 5.1 Assemble the front members
- 5.2 Fit the two side uprights to the top front unit using 3 screws for each side (see fig. 6)

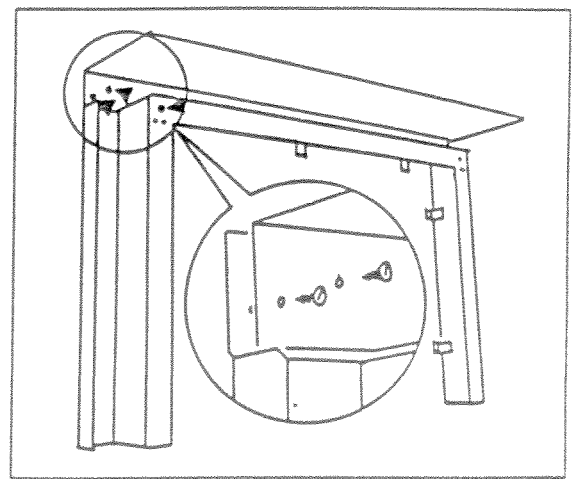


Figure #6:
Detail - upright assembly

5.3 Assemble the top panel to the front.

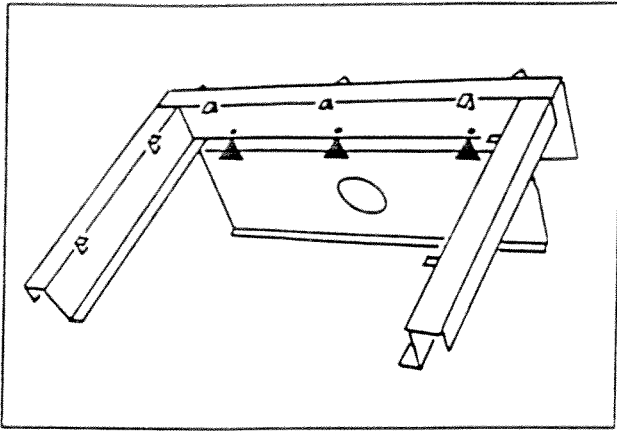


Figure #7:
Top panel screw locations

5.4 Fit the top panel inside the top front channel and assemble with 3 screws (see fig. 7)

5.5 Fit the two support brackets between the upper flange of the top front unit and the top panel.

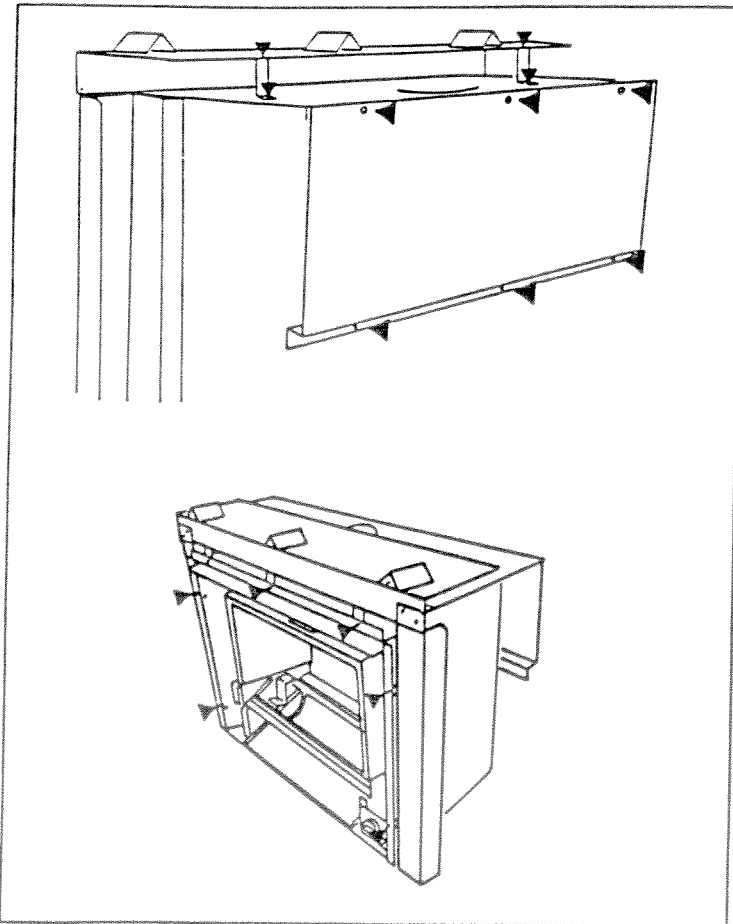


Figure #8:
Assembly & attachment screw locations

note that the smaller hole in each support bracket should be at the top. Assemble each bracket with 2 screws (see fig. 8)

6. ASSEMBLE THE REAR PANEL

6.1 Join the rear panel to the top panel with screws.

Note that the flange at the bottom of the rear panel should be towards the front (see fig. 8)

7. ASSEMBLE THE KIT TO APPLIANCE (see fig. 8)

7.1 Place the assembled 700ZCK over the heater (see fig. 8). The brackets on the sides and top of the kit front must be behind the front flanges of the heater. The top cross channel of the kit should rest on the top of the heater. Make sure that the two slots in the bottom edge of the top cross channel locate over the edges of the vent connector plate.

7.2 Align the holes in the kit front brackets with the holes in the front flanges of the heater and fasten using 7 screws provided.

7.3 Connect the rear panel to the rear of the appliance with 3 screws (see fig 8)

8. INSTALL APPLIANCE

Install model 736 heater fitted with model 70. ZCK into the framed opening ensuring that the minimum clearances indicated in fig.1 are maintained. Position the kit flush with the planned finish wall and hearth finish (see fig. 9), secure the bottom of the heater from moving by using two screws along bottom edge at the slots provided. Secure the top of the kit from moving by screwing out the securing bolts located at the top of the zero

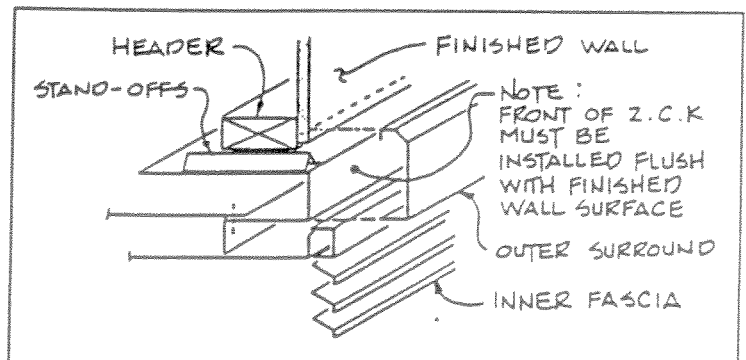


Figure #9:
Detail - Top of framed opening

clearance kit until they make firm contact with the header above.

9. CONNECT VENT

Connect a 4" diameter type 'B' vent through the top of the zero clearance kit to the collar of the heater and clamp the vent to the zero clearance kit with the clamp provided. Install the vent in accordance with local codes and authorities having jurisdiction while ensuring vertical rise is achieved as soon as possible from the heater and horizontal offsets are kept to a minimum.

10. #710 CFK CIRCULATING FAN KIT

If this fan kit is to be installed at the same time as the appliance, it is best to install it at this stage (IE. before the gas supply is connected).

Full installation instructions are supplied with the fan kit. In order to install the fan kit the appliance burner module must be removed. Details of the removal method are described in the servicing section of the heater installation instructions.

11. GAS CONNECTION AND UNIT START UP

Refer to heater Installation Instructions for continuation of installation procedure with regard to gas connection, fuel bed assembly and unit start up.

12. STORE TRIM & SURROUND FOR FUTURE INSTALLATION

Package and store decorative front trim and outer surround in a safe place for future installation after the wall and hearth finish have been applied.

13. FINAL ADJUSTMENT OF KIT

After wall and hearth finish have been applied check to make sure that the front face of the zero clearance kit is installed flush with the finished wall. If the kit is not installed flush or the wall finish thickness differs from that planned the kit position may be fine tuned - loosen off the securing bolts at the top of the zero clearance kit and slacken the two screws securing the bottom of the heater. Re-adjust the kit then re-tighten the securing bolts and screws.

14. CONTINUE INSTALLATION

Install the outer surround, front trim, inner front etc. and complete all checks as detailed in model #736CN Installation Instructions.

