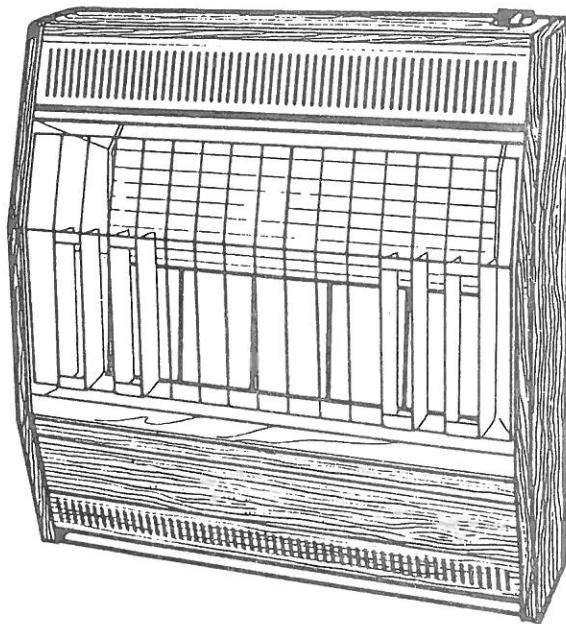




## Classic type

### Unvented Gas Fired Room Heaters

271VN for Natural Gas  
271VP for Propane Gas  
272VN for Natural Gas  
272VP for Propane Gas



## INSTALLATION AND OWNERS MANUAL

PLEASE READ THIS MANUAL BEFORE  
INSTALLING AND OPERATING YOUR  
HEATER.

PLEASE KEEP THIS MANUAL FOR  
FUTURE REFERENCE.

This appliance is an unvented  
domestic room heater. It must  
not be used for any other  
purpose.



**WARNING:** If the information in this manual is not followed exactly, a fire or explosion may result causing property damage, personal injury or loss of life.

- Do not store or use gasoline or other flammable vapors and liquids in the vicinity of this or any other appliance.
- **WHAT TO DO IF YOU SMELL GAS**
  - Do not try to light any appliance.
  - Do not touch any electrical switch; do not use any phone in your building.
  - Immediately call your gas supplier from a neighbor's phone. Follow the gas supplier's instructions.
  - If you cannot reach your gas supplier, call the fire department.
- Installation and service must be performed by a qualified installer, service agency or the gas supplier.

## WARNING !

**IMPORTANT:** Please read and understand this manual prior to installing and operating your heater. Please keep this manual for reference. It is the basis for safe and proper operation of this heater.

Any change to this heater or its controls can be dangerous. Improper installation, adjustment, alteration, service or maintenance can cause injury or property damage. Refer to this manual. For assistance or additional information consult a qualified installer, service agency or the gas supplier.

Installation and repair should be performed by a qualified service person in strict accordance with local codes and ordinances.

This appliance should be inspected before use and at least annually by a professional service person. It is important that controls, burner openings and air passageways of the appliance are kept clean.

**DO NOT** install this heater in sleeping quarters, mobile homes or recreational vehicles.

**DO NOT** locate the heater in high traffic areas or areas exposed to high drafts or winds.

Children and adults should be alerted to the high surface temperatures and should be cautioned to stay away to avoid burns or clothing ignition.

Young children should be carefully supervised when they are in the same room as the appliance. The front grill guard and burners operate at high temperatures which could result in serious burns.

Keep curtains, clothing, furniture and other flammable materials at least 36ins (900mm) from the front and top of the appliance.

Keep the appliance area well clear and free from combustible materials, gasoline and other flammable vapors and liquids.

If the grill guard has been removed for service or cleaning, make sure that it is put back in place properly prior to operating the heater.

Always ensure that there is adequate ventilation from the room where this appliance is operating. Open a door to an adjacent room to assure proper ventilation. Do not use this appliance in small rooms (e.g. Bathroom).

Always operate the appliance at the **LOW, MEDIUM** or **HIGH** control positions. Never use the heater at a setting between these positions as this can result in improper combustion and excessive carbon monoxide emissions.

Do not use this appliance if any part has been under water. Immediately call a qualified service technician to inspect the appliance and to replace any part of the control system and any gas control which has been under water.

### APPLIANCE SPECIFICATIONS

MODEL		271VN	271VP	272VN	272VP
HEIGHT (ins).*		25	25	25	25
WIDTH (ins).		16½	16½	24	24
DEPTH (ins.)		7¼	7¼	9½	9½
GAS		NATURAL	L.P.	NATURAL	L.P.
MAX. HEAT INPUT (Btu/h)		18,100	15,900	30,000	25,000
GAS INLET PRESSURE (ins. w.c.)	MAX.	9	14	9	14
	MIN. (for purpose of input adjustment)	7	11	7	11
REGULATOR PRESSURE (ins. w.c.)		6	9.5	6	9.5

**These appliances are supplied for wall mounting.** If you prefer to install your heater on a floor away from a wall, an optional floor mounting base will be required. Floor bases with hardware and installation instructions are available as follows

For Models 271VN & 271VP — Part # VB171

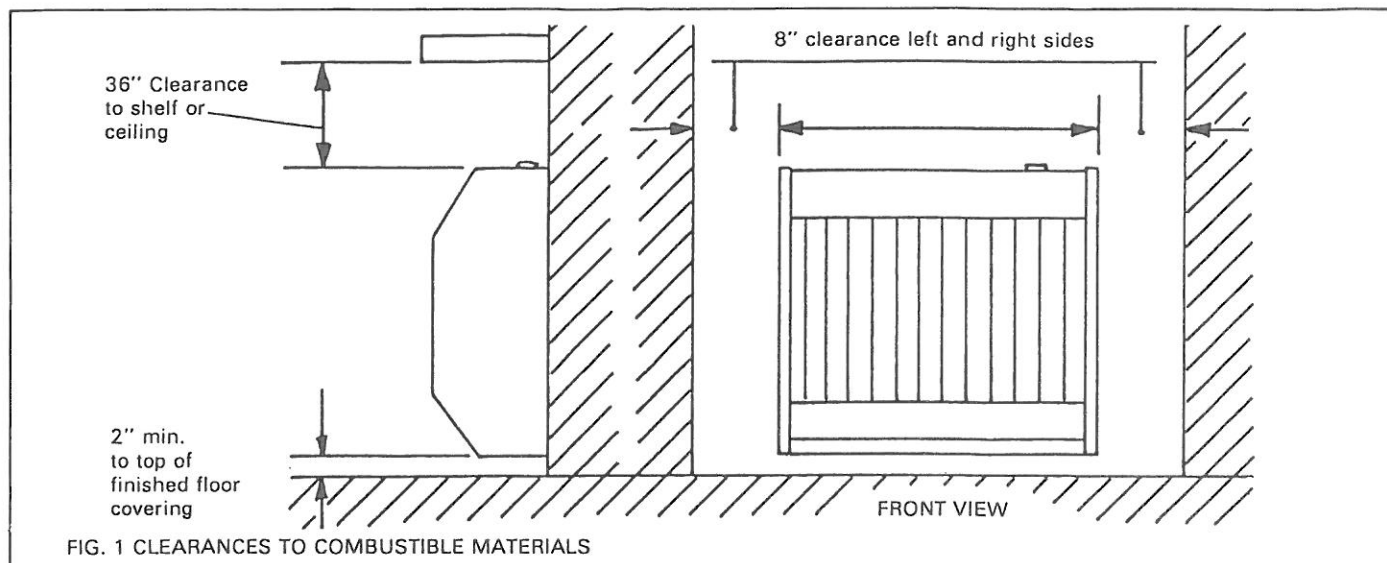
For Models 272VN & 272VP — Part # VB172

\*Height quoted excludes optional base.

Optional Fan Unit # VF-171 can be installed with these appliances.

Contact your dealer for details.

## INSTALLATION



### GENERAL

This room heater is design certified by the American Gas Association to ANS Z21.11.2b-1991 (Unvented Gas Fired Room Heaters). Installation requirements vary with the locality. The installation must conform with local codes or, in the absence of local codes, with the latest edition of the National Fuel Gas Code ANSI Z223.1

The minimum clearances to combustible surfaces when installed are shown in fig. 1.

There should be sufficient clearance to allow the controls to be operated easily and to give easy access for cleaning and servicing.

### PRE-INSTALLATION STEPS

1. **CHECK GAS TYPE.** Use only with the gas type indicated on the heater's rating plate. If the gas type indicated on this plate is not your type of gas supply, **DO NOT INSTALL.** Contact your dealer for proper model.
2. **EQUIPMENT REQUIRED FOR INSTALLATION** (not included with heater) includes:-

- a) External appliance regulator for all L.P. appliances only to reduce the supply tank pressure to a maximum of 14in. w.c. This is additional to the regulator fitted to the heater.

**WARNING: Connecting directly to an unregulated L.P. tank can cause an explosion.**

- b) Pipe sealant resistant to the gas used and all its constituents (note: Natural Gas can contain some L.P. gas for peak supply periods).
- c) Piping. We recommend using only new black iron or steel pipes. Copper tubing may be acceptable - check local codes. If copper

tubing is used, it must be internally tinned or equivalently treated to resist corrosion by sulphur compounds.

- d) Manual shut-off valve.
- e) Union, drip leg and  $\frac{1}{8}$ " NPT plugged tap for test gauge connection.
- f) Pipe wrenches.
- g) Pressure test gauge equipment.

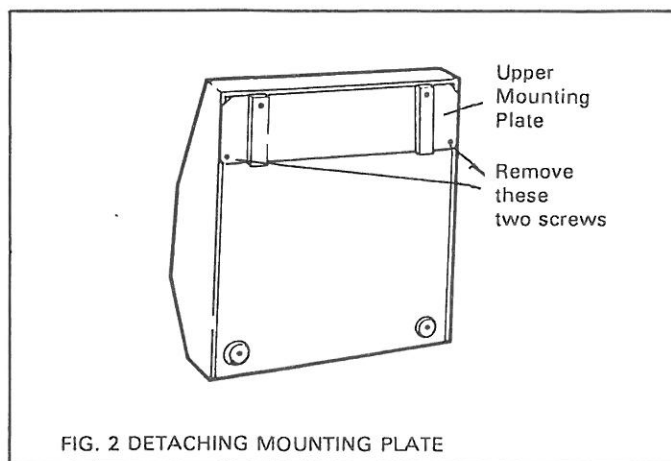
### UNPACKING

The heater is supplied fully assembled. The pack also contains a bag with a set of wall mounting anchors and screws.

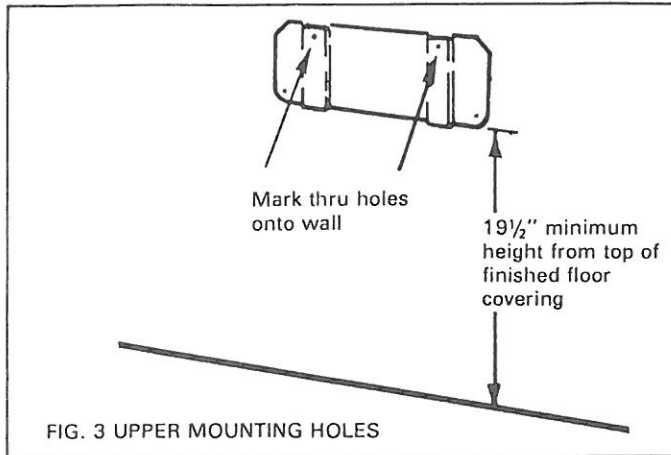
Check that the heater is in a satisfactory condition.

### WALL MOUNTING

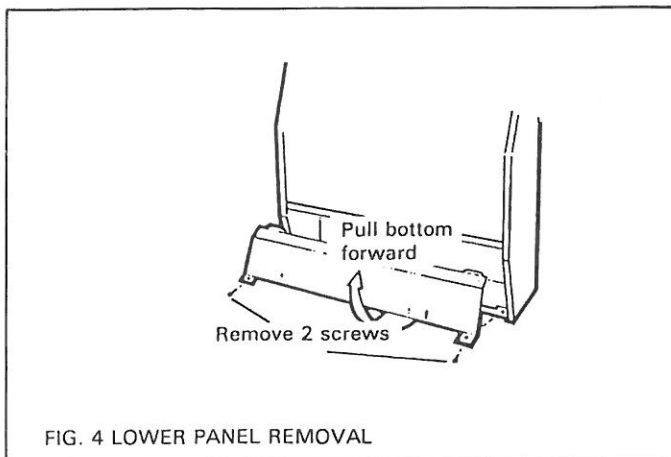
1. Detach the upper mounting plate by removing the two screws securing it to the heater back (fig. 2).



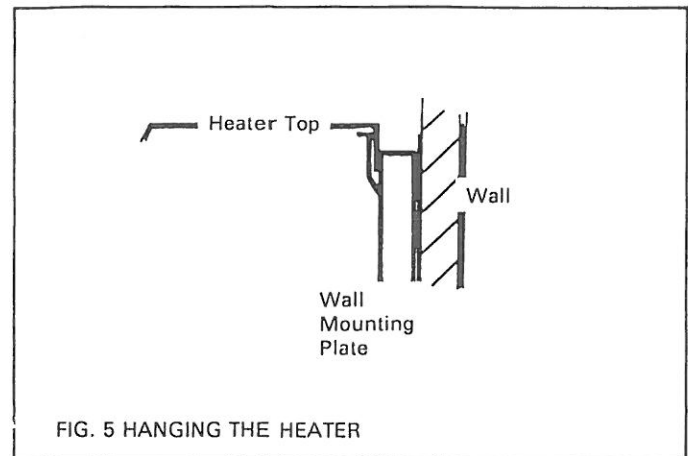
2. Mark the wall at the centers for the upper mounting holes. For accurate marking, place the upper mounting plate against the wall with its raised channels touching the wall and the holes in the channels towards the top. The bottom edge should be parallel with the floor. The minimum height from the floor to the bottom edge of the mounting plate must be 19½". With the plate firmly held against the wall, mark through the holes in the two raised channels onto the wall (fig. 3).



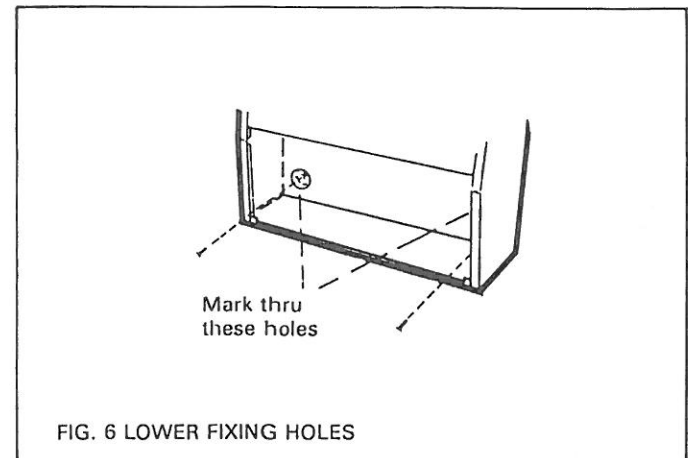
3. Drill the wall at the marked centers. The hole size will depend on the type of wall and fixing method. The heater is supplied with No. 8 woodscrews and anchors suitable for solid and plasterboard walls. These anchors require a ¼in. hole size.
4. Secure the upper mounting plate to the wall using the woodscrews (and necessary anchors).
5. Detach the lower front panel from the heater by removing the two screws situated at the lower corners. Pull the bottom edge of the panel forward to release from the heater (fig. 4).



6. Hang the heater on the upper mounting plate. The rear edge at the top of the heater must be properly located over the top edge of the mounting plate (fig. 5).



7. Mark the wall at the lower fixing centers through the holes in the recesses near the bottom of the heater rear panel (fig. 6).



8. Remove the heater. Drill the fixing holes and fit anchors if necessary (as described for the upper mountings).
9. Re-hang the heater. Secure the bottom of the heater using the woodscrews through the recessed holes near the bottom of the heater rear panel.

### CONNECT THE GAS

Gas connection is ½in. N.P.T. immediately to the left of the regulator (see fig. 7).

The gas supply line must be sized and so installed to provide a supply of gas sufficient to meet the maximum demand of the appliance without undue loss of pressure.

2. Mark the wall at the centers for the upper mounting holes. For accurate marking, place the upper mounting plate against the wall with its raised channels touching the wall and the holes in the channels towards the top. The bottom edge should be parallel with the floor. The minimum height from the floor to the bottom edge of the mounting plate must be  $19\frac{1}{2}$ ". With the plate firmly held against the wall, mark through the holes in the two raised channels onto the wall (fig. 3).

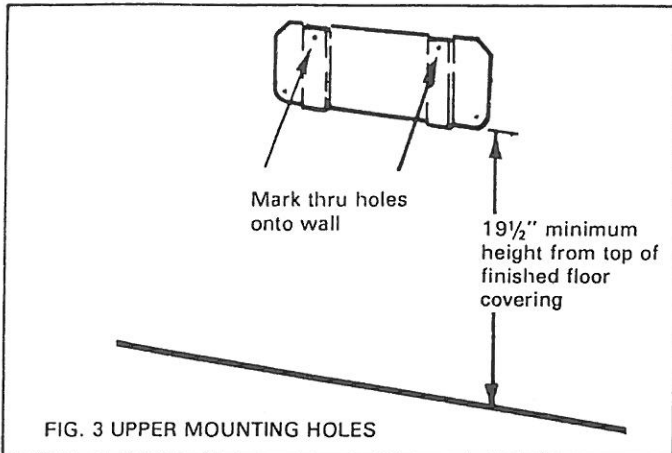


FIG. 3 UPPER MOUNTING HOLES

3. Drill the wall at the marked centers. The hole size will depend on the type of wall and fixing method. The heater is supplied with No. 8 woodscrews and anchors suitable for solid and plasterboard walls. These anchors require a  $\frac{1}{4}$ in. hole size.
4. Secure the upper mounting plate to the wall using the woodscrews (and necessary anchors).
5. Detach the lower front panel from the heater by removing the two screws situated at the lower corners. Pull the bottom edge of the panel forward to release from the heater (fig. 4).

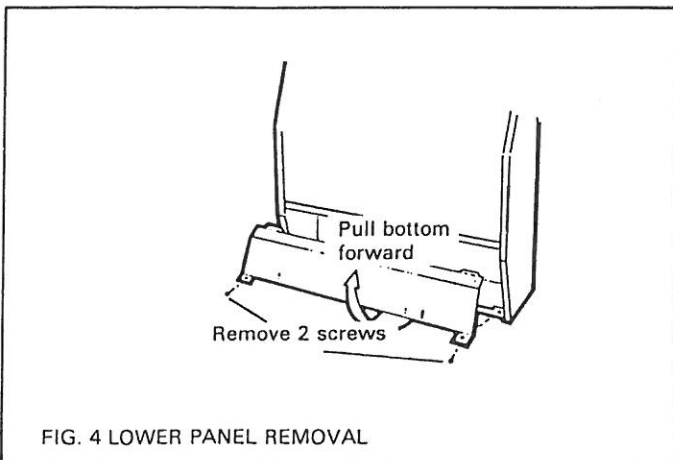


FIG. 4 LOWER PANEL REMOVAL

6. Hang the heater on the upper mounting plate. The rear edge at the top of the heater must be properly located over the top edge of the mounting plate (fig. 5).

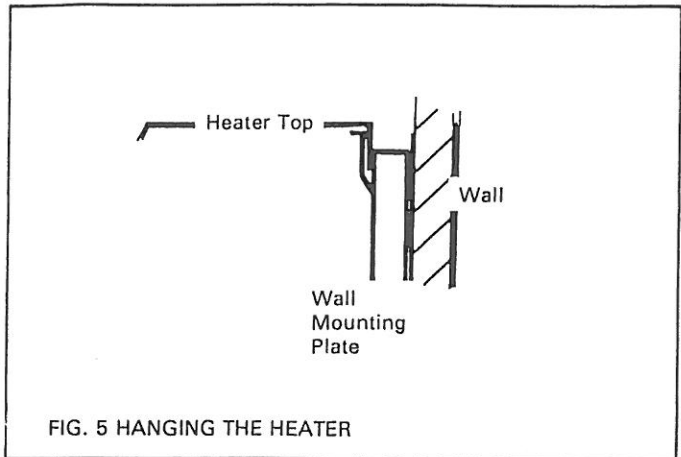


FIG. 5 HANGING THE HEATER

7. Mark the wall at the lower fixing centers through the holes in the recesses near the bottom of the heater rear panel (fig. 6).

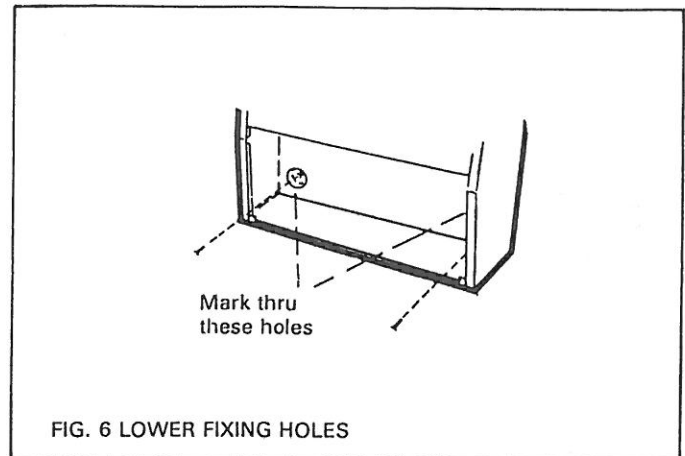


FIG. 6 LOWER FIXING HOLES

8. Remove the heater. Drill the fixing holes and fit anchors if necessary (as described for the upper mountings).
9. Re-hang the heater. Secure the bottom of the heater using the woodscrews through the recessed holes near the bottom of the heater rear panel.

### CONNECT THE GAS

Gas connection is  $\frac{1}{2}$ in. N.P.T. immediately to the left of the regulator (see fig. 7).

The gas supply line must be sized and so installed to provide a supply of gas sufficient to meet the maximum demand of the appliance without undue loss of pressure.



Pipedope should be applied lightly to male threads to ensure excess does not enter lines.

Pipedope used must be resistant to the action of all liquified petroleum gases.

The supply system should include a manual shut off valve and union in the line so that the appliance can be disconnected for servicing. Unions in gas lines should be ground joint type.

A plugged  $\frac{1}{8}$ in. N.P.T. tapping must be installed in the line. The tapping should be accessible for test gauge connections upstream of the gas supply connection to the appliance.

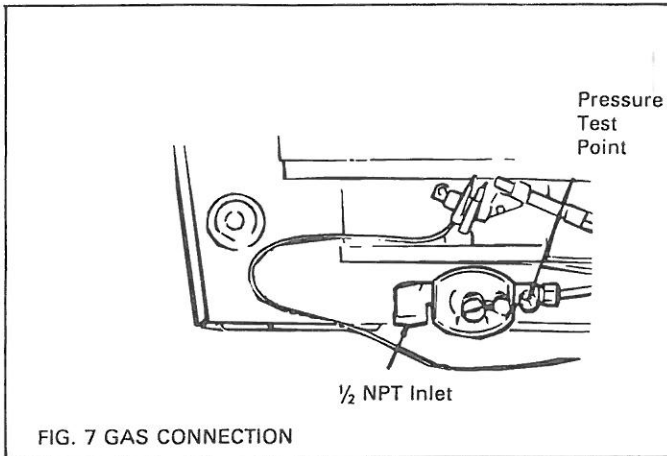


FIG. 7 GAS CONNECTION

**Check all gas piping and connections for leaks after installation or servicing.**

**Correct all leaks immediately.**

When testing for leaks:-

- a) Make sure that the control is at the OFF position.
- b) Open the manual shut off valve.
- c) Test for leaks by applying a liquid detergent to all joints.

**NEVER USE AN OPEN FLAME TO CHECK FOR LEAKS.**

Bubbles forming indicate a gas leak.

- d) Correct any leak detected immediately.

#### **CHECK CONTROL OPERATION**

Check ignition and all control positions for correct operation - See operating section.

#### **CHECK SYSTEM GAS PRESSURE**

The supply pressure to the appliance must be within the inlet pressure figures given in the appliance specification table on page 1.

The burner manifold pressure is controlled by the built-in regulator. This regulator pressure must be as given in the appliance specification table on page 1 and should be checked at the pressure test point which is located immediately downstream of the regulator. The pressure check should be made with the appliance burning and the control set at "HIGH".

#### **Pressure testing supply line**

The appliance and its individual shut off valve must be disconnected from the gas supply piping system during any pressure testing of that system at test pressures in excess of  $\frac{1}{2}$  psig (3.45 kPa).

The appliance must be isolated from the gas supply piping system by closing its individual manual shut off valve during any pressure testing of the gas supply piping system at test pressures equal to or less than  $\frac{1}{2}$  psig (3.45 kPa).

#### **RE-FIT THE LOWER FRONT PANEL**

Replace the lower front panel after all internal gas connections and gas checks have been satisfactorily made.

# OPERATION

## PLEASE OBSERVE THE CAUTIONS ON PAGE 1

### FOR YOUR SAFETY READ BEFORE LIGHTING

**WARNING:** If you do not follow these instructions exactly, a fire or explosion may result causing property damage, personal injury or loss of life.

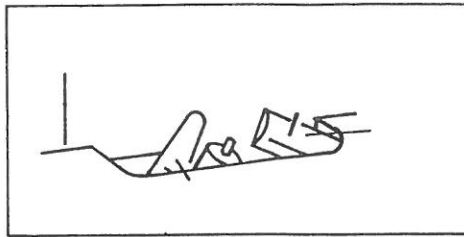
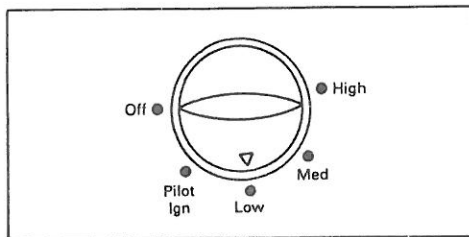
- A. This appliance has a pilot which must be lighted by hand. When lighting the pilot, follow these instructions exactly.
- B. **BEFORE LIGHTING** smell all around the appliance area for gas. Be sure to smell next to the floor because some gas is heavier than air and will settle on the floor.




#### WHAT TO DO IF YOU SMELL GAS.

- Do not try to light any appliance.
  - Do not touch any electric switch; do not use any phone in your building. Immediately call your gas supplier from a neighbor's phone. Follow the gas supplier's instructions.
  - If you cannot reach your gas supplier, call the fire department.
- C. Use only your hand to push in or turn the gas control knob. Never use tools. If the knob will not push in or turn by hand, don't try to repair it, call a qualified service technician. Force or attempted repair may result in a fire or explosion.
  - D. Do not use this appliance if any part has been under water. Immediately call a qualified service technician to inspect the appliance and to replace any part of the control system and any gas control which has been under water.


### LIGHTING INSTRUCTIONS

1. **STOP!** Read the safety information above on this label.



2. Partially depress the control knob and turn clockwise  to "Off".  
NOTE: Knob cannot be turned to "Off" unless it is partially depressed. Do not force.
3. Wait five (5) minutes to clear out any gas. Then smell for gas, including near the floor. If you smell gas, STOP! Follow 'B' in the safety information above on this label. If you don't smell gas, go to the next step.
4. Find the pilot. It is in the cut-out in center of the metal plate below the ceramic burners.
5. Turn the control knob counterclockwise  to "Pilot/ign" and depress for five (5) seconds.
6. Release pressure and turn knob back to "Off".
7. Depress knob and turn again to "Pilot/ign". This should ignite pilot.
8. Keep knob depressed for about ten (10) seconds. The pilot should remain alight. If pilot does not light or remain alight, repeat above steps. If pilot does not light at all during a few attempts, try lighting with a long match as described below. If pilot does light but will not stay lit after several tries, turn the gas control knob to "Off" and call your service technician or gas supplier.  
**Match Lighting:** Apply a long match to the pilot while the control knob is depressed and at the "Pilot/ign" position.
9. When pilot is alight, partially depress the knob and turn counterclockwise  to your desired heat setting.  
NOTE: The knob will lock at the correct "Low", "Med" and "High" positions. Do *not* try to use between these positions. The knob should pop back up when released at any setting position. If it does not, stop and immediately call your service technician or gas supplier.

### TO TURN OFF GAS TO APPLIANCE

1. Partially depress the control knob and turn clockwise  to "Off".  
NOTE: Knob cannot be turned to "Off" unless it is partially depressed. Do not force.



# OPERATION

## PLEASE OBSERVE THE CAUTIONS ON PAGE 1

### FOR YOUR SAFETY READ BEFORE LIGHTING

**WARNING:** If you do not follow these instructions exactly, a fire or explosion may result causing property damage, personal injury or loss of life.

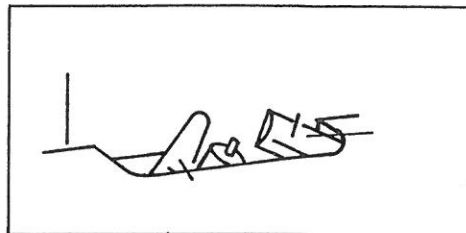
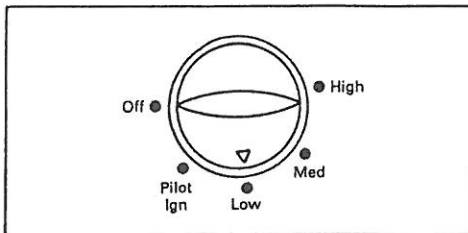
- A. This appliance has a pilot which must be lighted by hand. When lighting the pilot, follow these instructions exactly.
- B. **BEFORE LIGHTING** smell all around the appliance area for gas. Be sure to smell next to the floor because some gas is heavier than air and will settle on the floor.


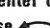
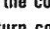
#### WHAT TO DO IF YOU SMELL GAS.

- \* Do not try to light any appliance.
  - \* Do not touch any electric switch; do not use any phone in your building. Immediately call your gas supplier from a neighbor's phone. Follow the gas supplier's instructions.
  - \* If you cannot reach your gas supplier, call the fire department.
- C. Use only your hand to push in or turn the gas control knob. Never use tools. If the knob will not push in or turn by hand, don't try to repair it, call a qualified service technician. Force or attempted repair may result in a fire or explosion.
  - D. Do not use this appliance if any part has been under water. Immediately call a qualified service technician to inspect the appliance and to replace any part of the control system and any gas control which has been under water.


### LIGHTING INSTRUCTIONS

1. **STOP!** Read the safety information above on this label.

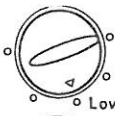
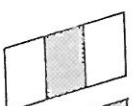
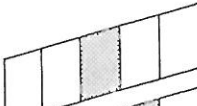
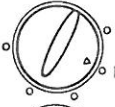


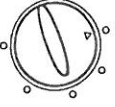
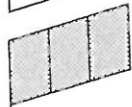
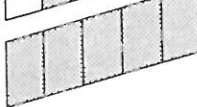


2. Partially depress the control knob and turn clockwise  to "Off".  
**NOTE:** Knob cannot be turned to "Off" unless it is partially depressed. Do not force.
3. Wait five (5) minutes to clear out any gas. Then smell for gas, including near the floor. If you smell gas, STOP! Follow 'B' in the safety information above on this label. If you don't smell gas, go to the next step.
4. Find the pilot. It is in the cut-out in center of the metal plate below the ceramic burners.
5. Turn the control knob counterclockwise  to "Pilot/ign" and depress for five (5) seconds.
6. Release pressure and turn knob back to "Off".
7. Depress knob and turn again to "Pilot/ign". This should ignite pilot.
8. Keep knob depressed for about ten (10) seconds. The pilot should remain alight. If pilot does not light or remain alight, repeat above steps. If pilot does not light at all during a few attempts, try lighting with a long match as described below. If pilot does light but will not stay lit after several tries, turn the gas control knob to "Off" and call your service technician or gas supplier.  
**Match Lighting:** Apply a long match to the pilot while the control knob is depressed and at the "Pilot/ign" position.
9. When pilot is alight, partially depress the knob and turn counterclockwise  to your desired heat setting.  
**NOTE:** The knob will lock at the correct "Low", "Med" and "High" positions. Do *not* try to use between these positions. The knob should pop back up when released at any setting position. If it does not, stop and immediately call your service technician or gas supplier.

### TO TURN OFF GAS TO APPLIANCE

1. Partially depress the control knob and turn clockwise  to "Off".  
**NOTE:** Knob cannot be turned to "Off" unless it is partially depressed. Do not force.



CONTROL KNOB POSITION	BURNER APPEARANCE	
	MODEL 271VN & 271VP	MODEL 272VN & 272VP
 Low		
 Med		
 High		

### BURNER CHECK

A visual check of the pilot and burner flames should be made periodically.

The flame patterns should be similar to those shown in fig 8.

If the burner flames exceed those shown, or if the surfaces of the burner radiants do not glow evenly discontinue use and contact your qualified service agent.

### CLEANING

The gas should be turned off and the appliance should be cold before attempting any cleaning.

The case should only need occasional dusting with a soft cloth or possibly wiping using a mild soap.

The bright metal parts should only need occasional dusting with a dry cloth. Never try cleaning with abrasive cleaners.

The ceramic burner plaques and pilot jet should only be dusted with a lint free cloth. Further cleaning should not normally be necessary. If they become blocked for any reason contact your service agent.

### SERVICING

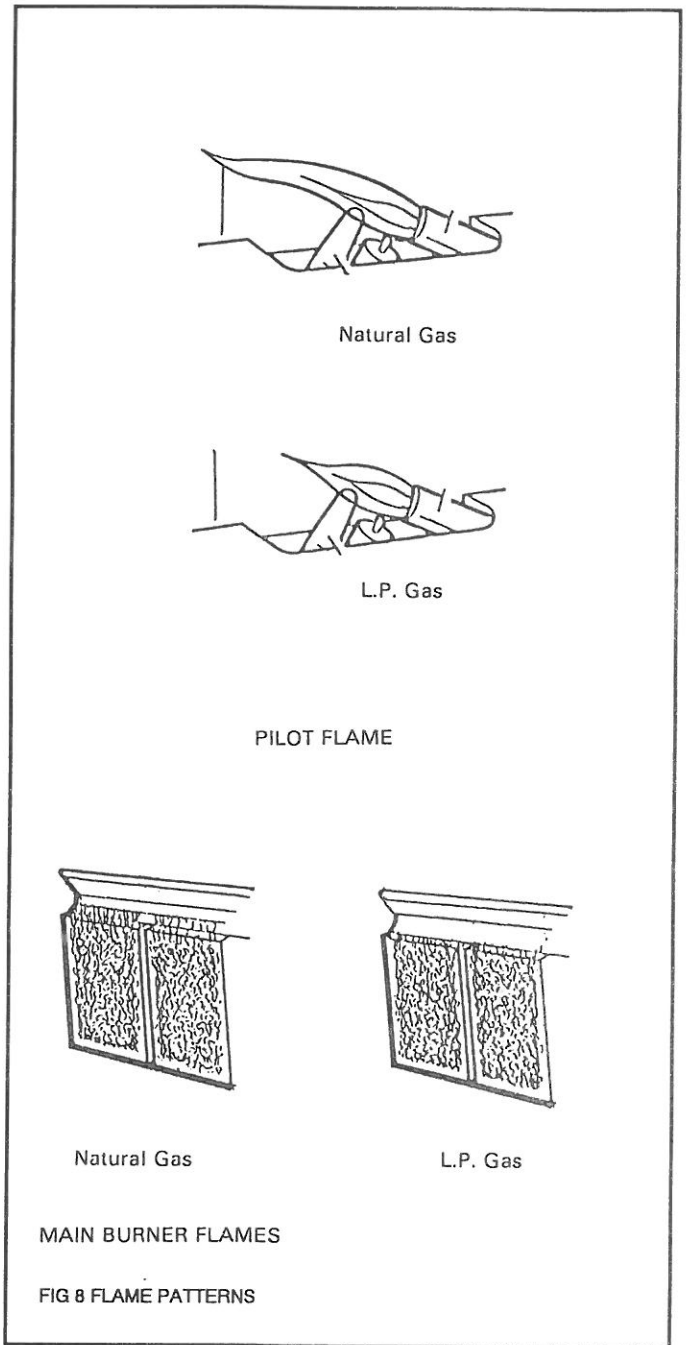
Repair and replacement work should only be done by a qualified service person.

Please always quote Appliance Model and Serial Number when requesting servicing work.

Always shut off the gas supply and make sure that the appliance is cool before commencing any service work.

Always check for leaks after servicing.

Always check that the appliance area is clear and free from combustible materials, gasoline and other flammable vapors and liquids. Always check for correct combustion and ensure that there is sufficient ventilation.



### REPLACEMENT PARTS

#### Under Warranty/Out of Warranty Parts

Contact your dealer for replacement parts. If you are unable to obtain the part from the dealer, contact:- F.B.D., Inc.

601 Hope Street,  
Bowling Green, Ky. 42101  
(502) 796-8406.

Prior to writing or calling, please be prepared to indicate Heater Model Number and Replacement Part Number - Refer to exploded parts diagram and list supplied with this appliance.

## LIMITED WARRANTY POLICY

Valor warrants this appliance for a period of one year from date of purchase against defects in material or workmanship. This warranty covers only the cost of defective parts and applies only to the original consumer purchaser. This warranty does not extend to (1) appliances damaged by accident, neglect, misuse, abuse, alteration, negligence of others including, the installation thereof by unqualified installers, (2) the costs of removal, reinstallation or transportation of defective parts on the appliance unit, or (3) incidental or consequential damages.

THIS WARRANTY IS EXPRESSLY IN LIEU OF ALL OTHER WARRANTIES, EXPRESSED OR IMPLIED, INCLUDING THE WARRANTY OF MERCHANTABILITY OF FITNESS FOR PURPOSE AND ALL OTHER OBLIGATIONS OR LIABILITIES. VALOR DOES NOT ASSUME NOR HAS IT AUTHORIZED ANY PERSON INCLUDING ITS SALES REPRESENTATIVES TO ASSUME FOR IT, ANY OTHER OBLIGATION OR LIABILITY IN CONNECTION WITH THE SALE OR USE OF THIS APPLIANCE.

The appliance must be installed by a qualified installer in accordance with the instructions furnished with the appliance. The defective appliances, or parts of defective appliances, should be returned at your expense to the dealer from where the product was purchased or authorized service agent. Any products presented for warranty repair must be accompanied by the sales invoice evidencing proof of purchase and date of purchase.

Some states do not allow the exclusion on limitation of incidental or consequential damages, or on how long an implied warranty lasts, so the above limitations may not apply to you.

F.B.D. Inc. Bowling Green, Ky, 42101

Manufactured by

# VALOR HEATING

ERDINGTON ■ BIRMINGHAM ■ ENGLAND

Distributed by

**F.B.D. Inc.**

Bowling Green, Ky, 42101

Because our policy is one of constant development and improvement,  
details may vary slightly from those given in this publication