

P2

NEXT GENERATION OF WARMTH



TALLER WINDOW AND A
V-CLASS FIRE WILL KEEP
YOU WARM AND COZY.

 **valor**

Why Choose

Feel the heat.

All our gas fireplace radiate heat. Like feeling the sun on your skin. The best kind of heat there is.

Heater-rated

We're rated with space heaters so we put Radiant Heat Technology into every fire. You can feel it.

Works quietly.

We designed our gas fireplaces to move the heated air via natural convection at the rate of 120 cubic foot per minute—no need for a noisy blower.

Stainless Steel burner

Our precision stainless steel burners don't rust, and create an enhanced flame and ember glow that produces radiant heat.

P2 ON COVER:

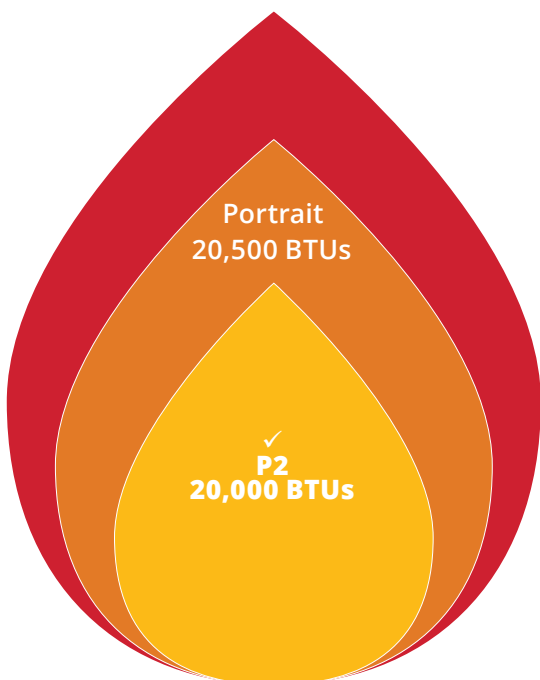
CLEAN INSTALL KIT 230CIK

PLAIN BLACK LINER 260PBL

DRIFTWOOD 205DWK

Efficiency

Valor fireplaces are heater-rated. Our Radiant Zone Heating is up to 25% more efficient than central forced air systems.



FEATURED IN THIS BROCHURE:

New P2 Fireplace

Speak to your dealer
to find out more.

A Valor?

Improving heat

Our exclusive *Secondary Heat Exchanger* and our aerodynamic firebox naturally improve convective heat—without a fan.

Ceramic glass window

Valor's durable and robust ceramic glass window improves radiant performance by absorbing and distributing radiant heat.

No power?

No problem. All Valor gas fireplaces run on 4 AA batteries as the primary source of power—not as back-up power like other brands. And you'll save money on your electrical bill.

Outdoor-friendly.

All Valor gas fireplaces are rated for outdoors under a covered patio and use quality materials that exceed the requirements for outdoor use.

Logs provide heat.

High definition, low mass fiber ceramic logs heat up and glow quickly. We harness the radiating heat from our logs, just like real logs.

Built to last.

Our aluminized steel fireboxes handle high temperatures, delivering efficient radiant warmth. Our baked-on powder-coated paint offers a better texture and a more durable finish.

Safety

We put our fires through rigorous safety testing in our in-house CSA approved lab. We provide a screen with every fireplace to keep you and your loved ones safe.

Design your own.

Visit the Valor Fireplace Design Center to design your very own Valor Fireplace today.



To find out more, visit
valorfireplaces.com/why-valor

WHAT IS A CLEAN INSTALL KIT?

This kit below allows you to tile or finish your wall right up to the edge of the fireplace for a clean finish—no front or backing plate required.



1 FIRE BED

Our V-Class burner enhances our expertly crafted logs, designed as realistic-looking as possible—and engineered to harness radiant heat from the flames and glowing embers.

Visit your local Valor dealer to see a fire, or for a video go to valorfireplaces.com

BIRCH



TRADITIONAL LOGS





CLEAN INSTALL KIT 230CIK
DRIFTWOOD 205DWK
REFLECTIVE GLASS LINER 270RGL

DRIFTWOOD



Please Note: Printed images may vary from actual product. All product information is accurate at time of printing and is subject to change. For more information, visit valorfireplaces.com



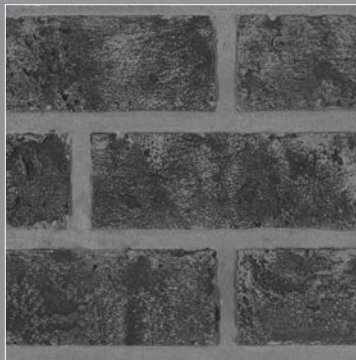
**LEDGEVIEW AGED STEEL FRONT
WITH BACKING PLATE 246LFAS
BIRCH 205BLK
CHARCOAL BRICK LINER 265CBL**

2 LINERS

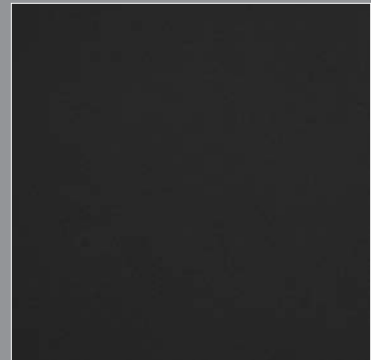
Choose a firebox liner to complement the logs and front style you select as well as the style of your room.

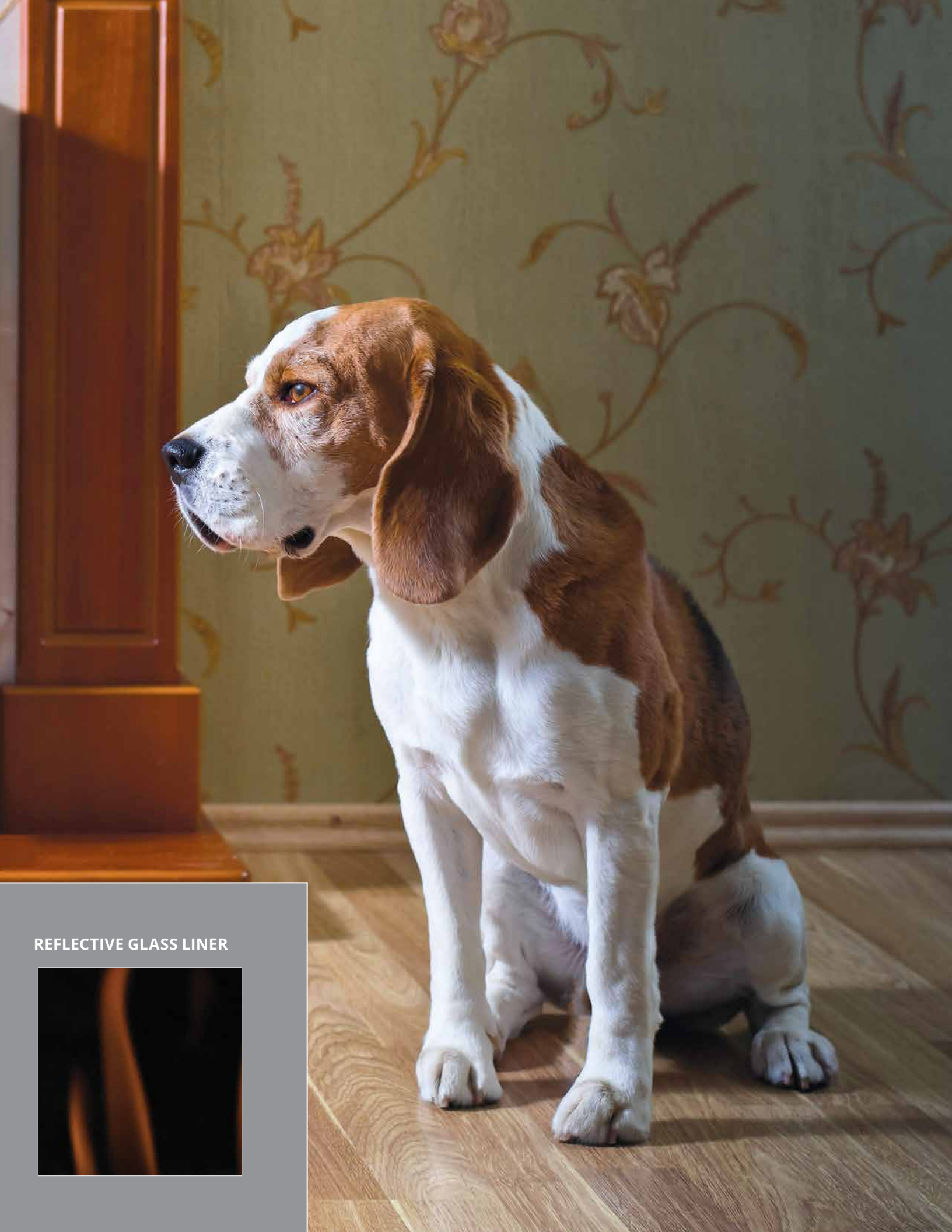
Please note the tint of the ceramic glass window can warm the liner colors, especially when the fire is on. If possible, visit your local Valor dealer to see a sample in person.

CHARCOAL BRICK LINER



PLAIN BLACK LINER





REFLECTIVE GLASS LINER





CLEARVIEW FRONT 245CFV
REDUCED DEPTH BACKING PLATE 235SBPB1
TRADITIONAL LOGS 205LSK
PLAIN BLACK LINER 260PBL

3 FRONTS

These fronts are among our most popular: the Clean Install kit allows you to forego a front and backing plate for a minimalist design. The Ledgeview and Clearview offer a more transitional style.

See more examples online at valorfireplaces.com/p2

CLEAN INSTALL KIT



LEDGEVIEW, BLACK (BACKING PLATE INCLUDED)



INSTALL INTO AN EXISTING FIREPLACE?

Yes, our P2 works as an insert fireplace when you pair the optional Reduced Depth backing plate with our Clearview front.

Ask your dealer for details.



**LEDGEVIEW, AGED STEEL
(BACKING PLATE INCLUDED)**



**CLEARVIEW FRONT, VINTAGE IRON
WITH 26" BACKING PLATE**





LEDGEVIEW BLACK FRONT
WITH BACKING PLATE 246LFB
DRIFTWOOD 205DWK
PLAIN BLACK LINER 260PBL



FINISHES

All our rich, durable finishes are powder-coated, plated or, in the case of Aged Steel, a hand-rubbed, multi-layered finish for a beautiful, longlasting result.

If available, ask your dealer to see an example in person as colors may appear different in various lights. To see examples online, go to valorfireplaces.com/fireplace-media

AGED STEEL

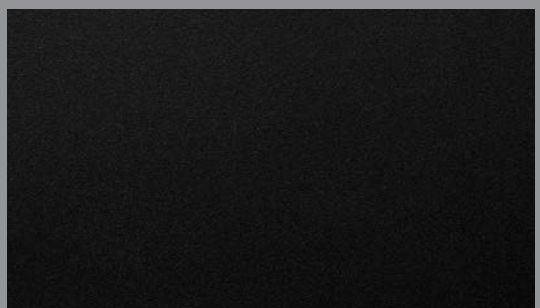




VINTAGE IRON



BLACK



Child Proof your remote
for safety and ease.

Accurately knows the current
temperature of your room.

Set the timer to
turn the fireplace off
up to 9 hours ahead.

Set the temperature for
specific times of the day.

Program your fireplace to turn
on and off when you want at
the temperature you want.



VALOR 10: REMOTE

Standard with the P2, the Valor 10 interactive remote control has up-to-the-moment information on the state of your fireplace—such as temperature and other customizable settings. To find out more, go to valorfireplaces.com/remote

Learn more
about our remotes:



TAKE COMPLETE CONTROL

Increase or decrease flame height to find the perfect ambiance. Use the color wheel to find the ideal temperature setting.



PROGRAM ON THE GO

Program days, times and temperature settings to match your lifestyle. Set a countdown timer so your fireplace shuts off automatically.

SAVE ON ENERGY COSTS

Save energy while enjoying a changing, realistic flame with ECO mode. Choose time and the percentage of energy saved is shown in the circle/leaf.

VALOR 10: APP

The Valor 10 remote pairs with the Valor 10 App so you can control your fireplace with your smartphone*. To find out more, go to valorfireplaces.com/valor10

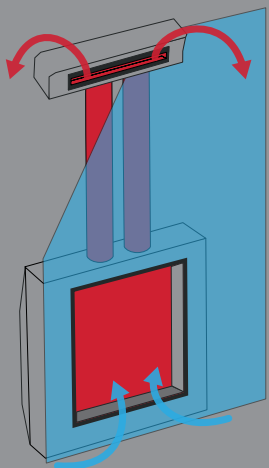
*requires WiFi module, sold separately.





CLEARVIEW FRONT 245CFV
BACKING PLATE 235BPPB1
PLAIN BLACK LINER 260PBL
BIRCH 205BLK
HEATSHIFT LDK12 + LDK13

HEAT SHIFT™



KEEPS WALL COOLER

Pioneered by Valor, our unique HeatShift System naturally circulates up to 125 cubic feet of convective heat per minute through hidden ducts and back into the room—avoiding surface areas above the fireplace.

DESIGN FLEXIBILITY

Run standard finishing materials right up to the fireplace surround, including drywall, wood, tile and stone.

Install mantels lower than usual at a one-to-one ratio of depth to height from the fireplace surround.



FIND OUT MORE



IMPROVES PERFORMANCE

Harnessing convective warmth, up to 60% of fireplace heat rises and flows through HeatShift and back into the room. The remaining heat radiates from the fireplace, keeping you warm.

NO ELECTRICITY REQUIRED

HeatShift circulates heat naturally using gravity and Valor product ingenuity—no need for a fan or electricity. No power—no problem.

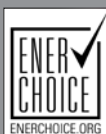
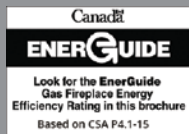
CONSTRUCTION MADE EASY

Unlike many competing products, Valor fully ducts HeatShift for clean, safe air quality. HeatShift is built and designed in North America for North American homes, meeting building code requirements.



CLEARVIEW FRONT 245CFV
36" BACKING PLATE 235BPB2
PLAIN BLACK LINER 260PBL
TRADITIONAL LOGS 205LSK

ENERGY EFFICIENCY



MODEL	Fuel	BTU/HR	Max. Input	Min. Input	Max. Output*	EnerGuide*
200AN	NG	20,000	20,000	9,500	14,600	68%
200AP	LPG	20,000	20,000	10,000	14,600	68%

* EnerGuide Ratings and Outputs have been determined without a fan/blower, using the CSA P4.1-15 test method. Certified to ANSI Z21.88 / CSA 2.33 Vented Gas Fireplace Heater American National Standard. CGA - 2.17-91 Gas Fired Appliances for use at High Altitudes

FRONTS AND BACKING PLATES



**CLEARVIEW
245CFV**

This popular front is designed to sit on the hearth. Choose the backing plate that suits your installation.

Front
22½" W x 27¾" T



with 26"
Backing Plate
26" W x 29½" T



**LEDGEVIEW
246LFB/246LFAS**

This front looks just as great on the wall as it does sitting on the hearth. Backing plate included with front.



Front with
backing plate
26¼" W x 31¾" T



**CLEAR INSTALL KIT
230CIK**

Simple and minimalist, this kit lets you tile or finish right up to it. No front or backing plate required.



21⅛" W x 23⅝" T



with
Reduced Depth
Backing Plate
(for inserts)
22½" W x 27¾" T

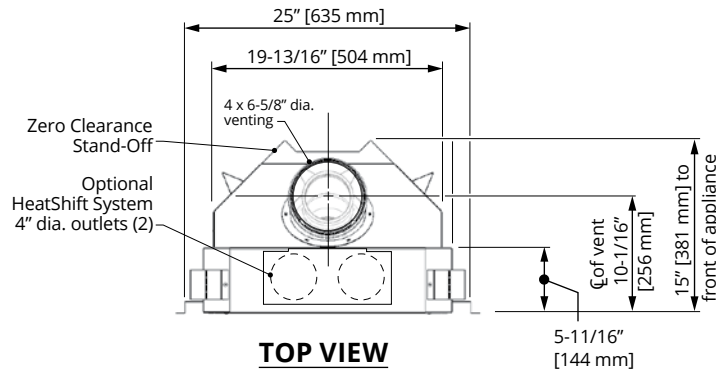


With 36"
Backing Plate
36" W x 34½" T



Always refer to the manual for complete installation instructions

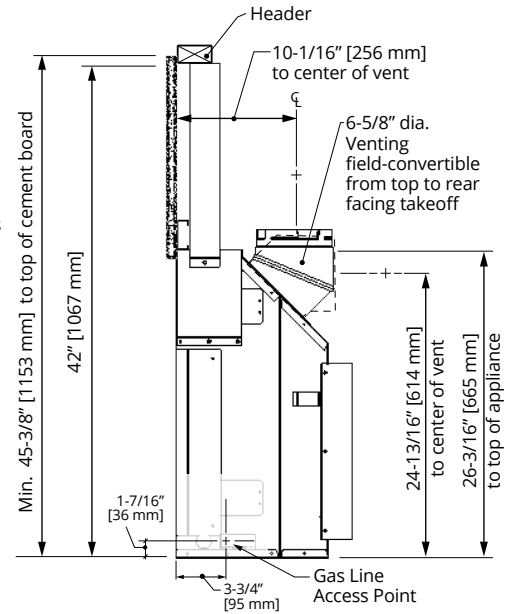
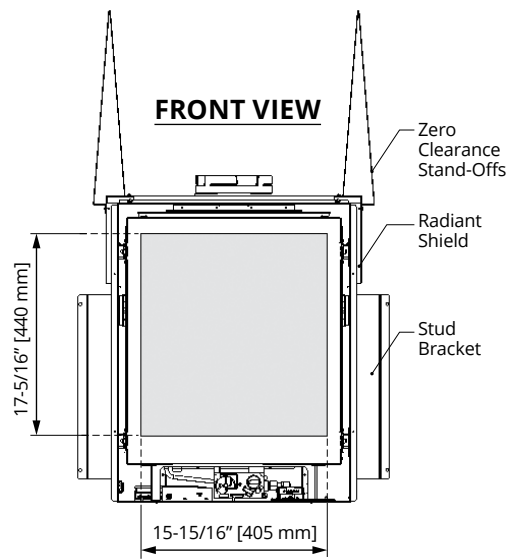
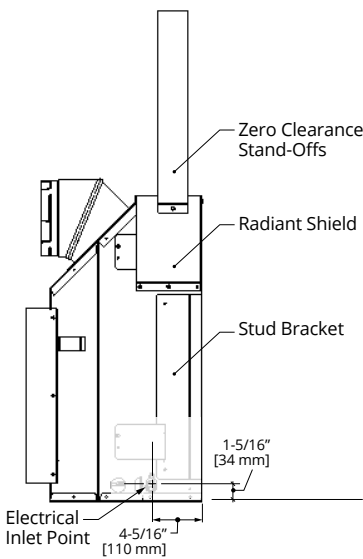
DIMENSIONS



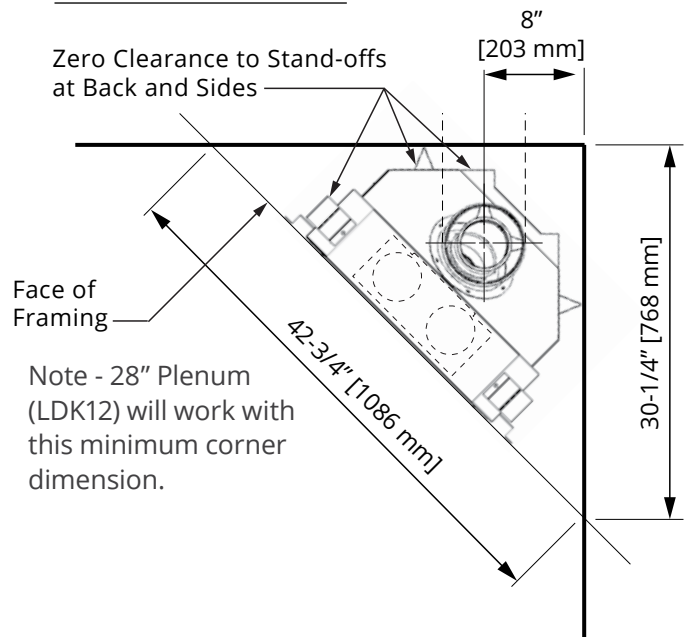
LEFT SIDE VIEW

TOP VIEW

RIGHT SIDE VIEW



CORNER DIMENSIONS



Always refer to the manual for complete installation instructions:

HOMEOWNER MANUAL



INSTALLATION MANUAL



COMPONENTS

DIRECT VENT ENGINES

Natural Gas	200AN
Propane	200 AP

1 FIRE BEDS

Birch	205BLK
Driftwood	205DWK
Traditional Logs	205LSK
<i>Coal—coming soon!</i>	<i>205CSK</i>

2 LINERS

Plain Black	260PBL
Charcoal Brick	265CBL
Reflective Glass	270RGL

3 FRONTS

Clean Install Kit	230CIK
Clearview, 3-sided, Vintage Iron	245CFV
Ledgeview, 4-sided, Black	246LFB
Ledgeview, 4-sided, Aged Steel	246LFAS
<i>Richmond Cast Surround—coming soon!</i>	<i>263RCB</i>

*2" return; reduced depth.

OPTIONAL

Wall Switch	1265WSK
Remote Battery and Wall Switch	RBWSK
Outdoor Conversion Kit	GV60CKO
Circulating Fan	255CFK
Wifi Kit	GV60WiFi
18" HeatShift plenum + finishing frame	LDK12 + LDK13

⚠ WARNING

This product can expose you to chemicals including Benzene, which is known to the State of California to cause cancer and birth defects or other reproductive harm.

For more information go to www.P65Warnings.ca.gov

CLEARVIEW BACKING PLATES

- 3-sided backing plate, 26" W 235BPB1
- 3-sided backing plate, 36" W 235BPB2
- 3-sided backing plate, 26" W, for inserts* 235SBPB1



Note: Natural gas, in its original state, contains Benzene.



CLEAN INSTALL KIT 230CIK
REFLECTIVE GLASS LINER 270RGL
BIRCH 205BLK