

# P2 Series

# HeatShift™ System

## Planning and Installation: P2 with HeatShift® For use with Valor Heaters P2 200 ONLY

### Application

The HeatShift™ System redistributes the warm air flow away from the fireplace to a position higher up the wall using natural convection, without the use of a fan.

With the plenum LDK12, the hot air is relocated to a position higher up the wall or even in an adjacent room.

The result is much cooler wall temperatures above the fireplace opening for locating televisions, artwork, etc.

The 255CFK Circulating Fan Kit is not recommended when installing the HeatShift System.

These instructions are to be used in conjunction with the fireplace's installation instructions.

### Approvals

The LDK12 and LDK13 kits are CSA approved for use only with Valor Series fireplaces listed above—DO NOT use with any other models.

This HeatShift system may also be used to reduce wall surface temperatures on approved outdoor installations.

The 4" [102 mm] diameter ducts used with this kit must be of metal and meet requirements of UL-181 Class 1 Air Duct. Flexible aluminum duct is acceptable provided it meets the UL-181 Class 1 requirements.

### **WARNING**

**When placing discharge close to ceilings, staining or streaking may occur on light colored ceilings due to any dust, etc. in air flow; placing plenum(s) lower on the wall will help reduce the possibility of staining or streaking.**

### **WARNING**

**DO NOT cover or place objects in front of or on top of air outlet(s). AVOID locating outlet within 7 feet [2.13 m] above floor level as discharge temperatures are hot!**

### **NOTE**

The use of HeatShift will permit lower mantel clearances to be used—see "*Clearances to Combustibles*" in the P2 Installation Manual.

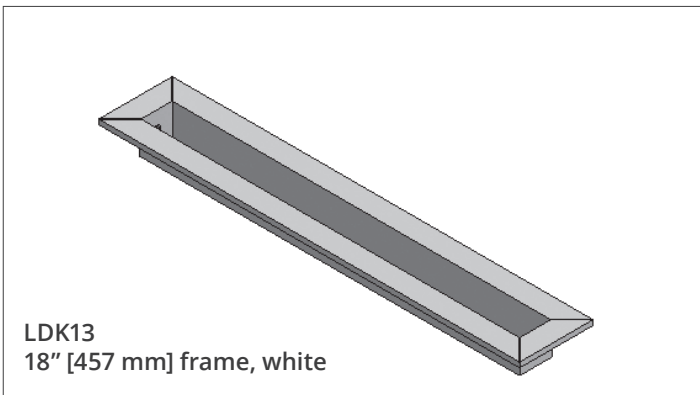
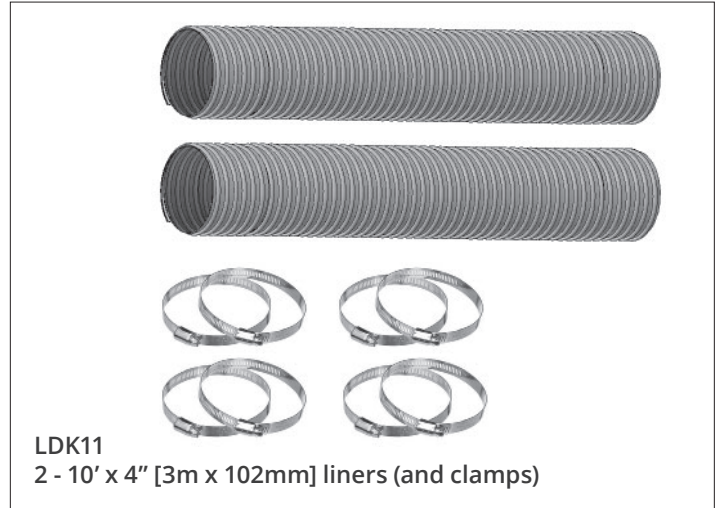
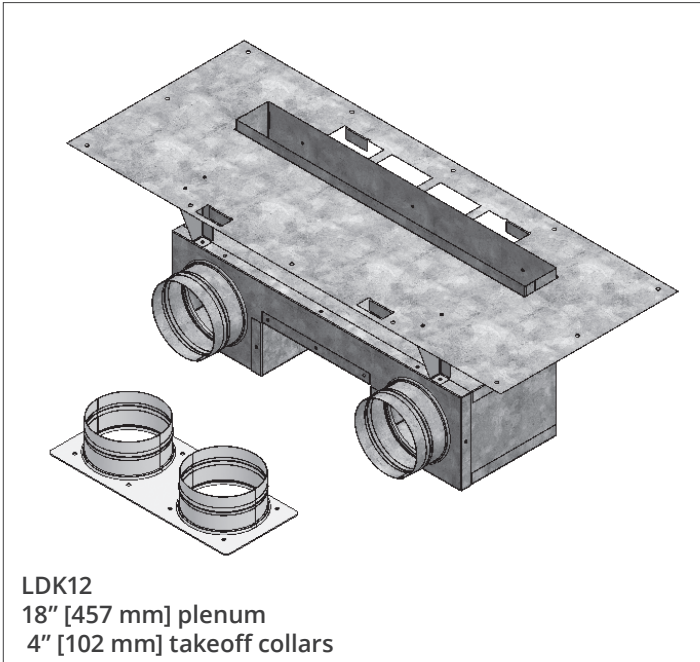
These lower mantel clearances must **ONLY** be used when the HeatShift system is installed.

## Kits

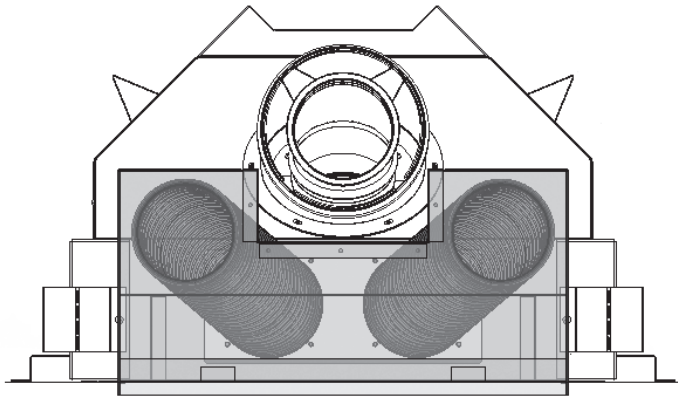
The LDK12 HeatShift kit is required for use with the P2 fireplace if HeatShift is to be installed.

The LDK11 and LDK13 are optional accessories, but some approved liner and clamps are required. See "Approvals" on the previous page for size and ratings details.

- LDK12 - Plenum, 18" [457 mm] with a dual collar plate (collars 4" [102 mm] diameter)
- LDK13 - Finishing frame, 18" [457 mm] to use with LDK12
- LDK11 - Liners (2), 10' [3 m] long, 4" [102 mm] diameter + clamps (8)



## Configuration P2 with LDK12



The LDK12 plenum is typically installed directly above the P2 unit, connected by the LDK11 (or approved 4" [102 mm]) liners. It may be offset from center, or vented to the rear if desired.

### **⚠ WARNING**

The plenum duct kits are approved for horizontal discharge **ONLY**. **DO NOT** install plenum in floor or ceiling. **DO NOT COVER OR PLACE** objects in front of or on top of air outlet(s). **AVOID** locating outlet within 7 feet [2.13 m] of the floor level as discharge air temperatures are hot!

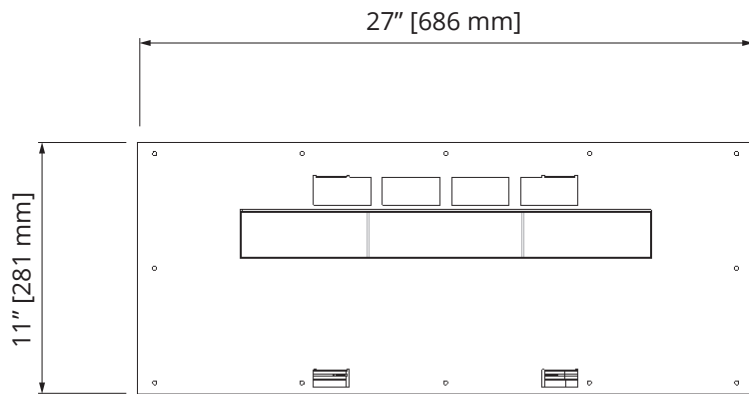
**DO NOT DISCHARGE THROUGH EXTERIOR WALLS!**

### **NOTE**

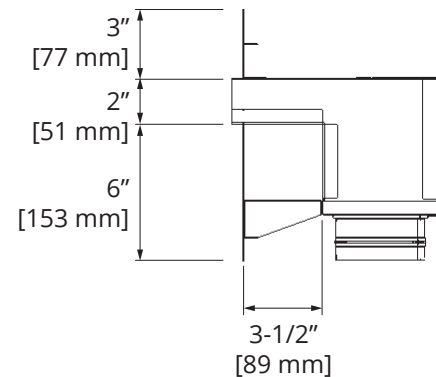
Co-axial vent can be routed vertically through the cutout in the HeatShift plenum. If the plenum must be offset to the rear, the vent must also be offset to accommodate.

## Dimensions

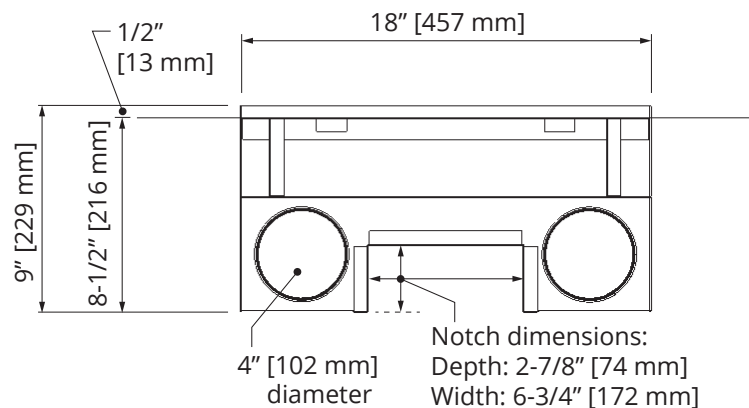
Front View



Side View



Bottom View



# Overview - LDK12 Kit

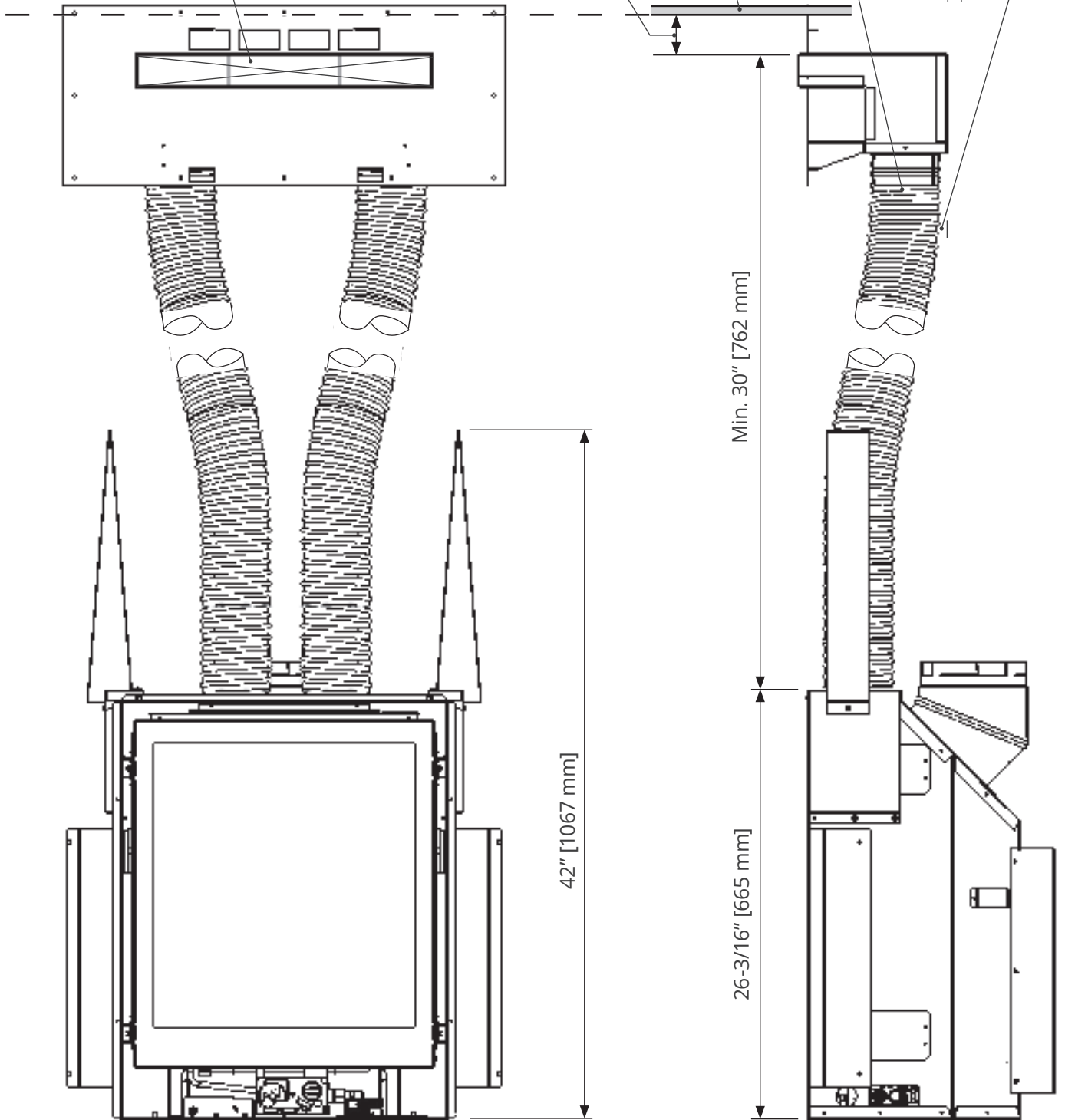
Top of plenum opening must be minimum 7' [2,13 m] and a maximum of 12' [3,66 m] off the floor

Minimum 2-1/2" [64 mm] clearance to ceiling

Flexible or rigid 4" [102 mm] Ø, UL-181, Class 1 Air Duct (2); use LDK11 or equivalent

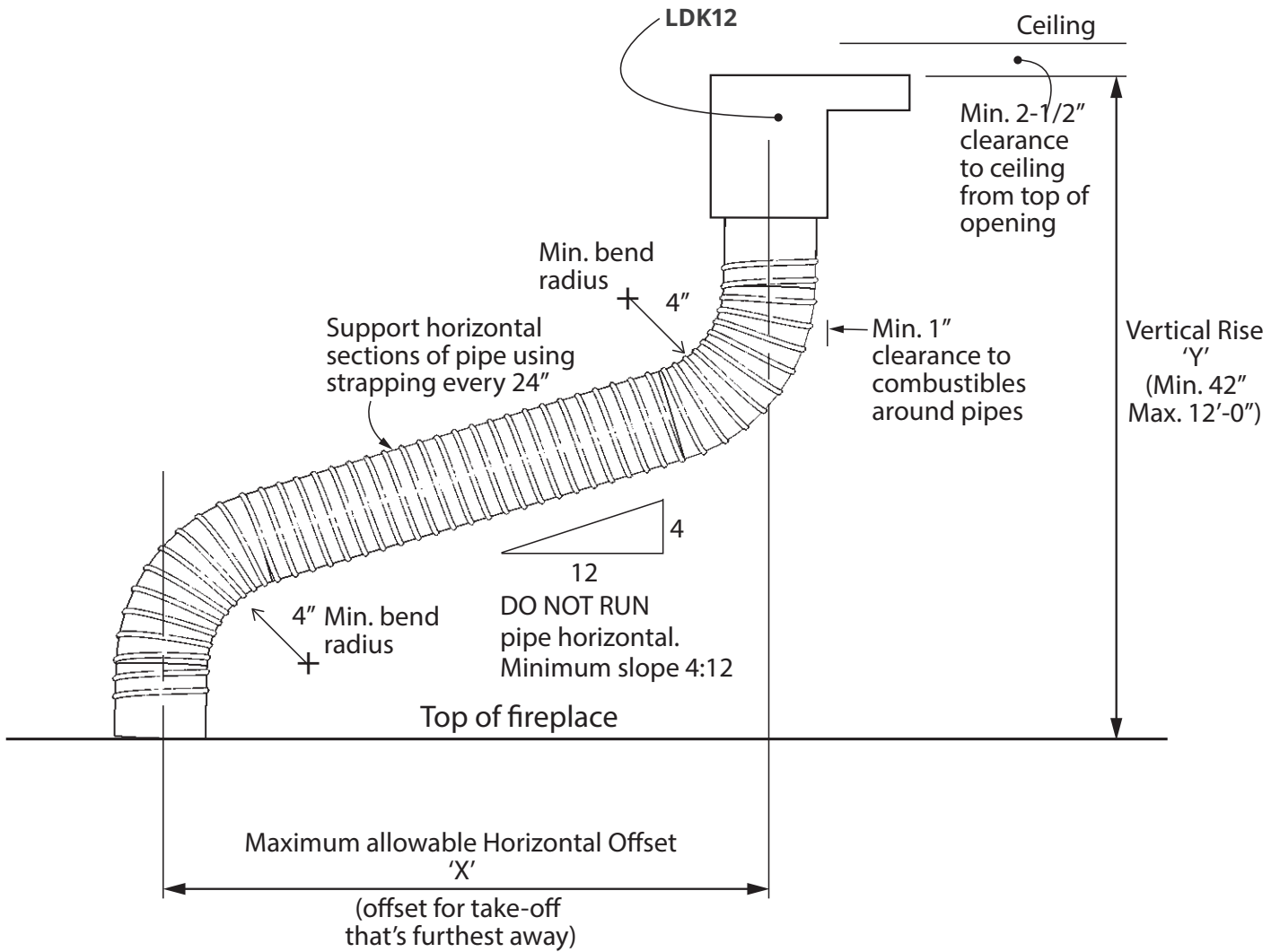
Minimum 1" [26 mm] clearance to combustibles around pipes

Ceiling



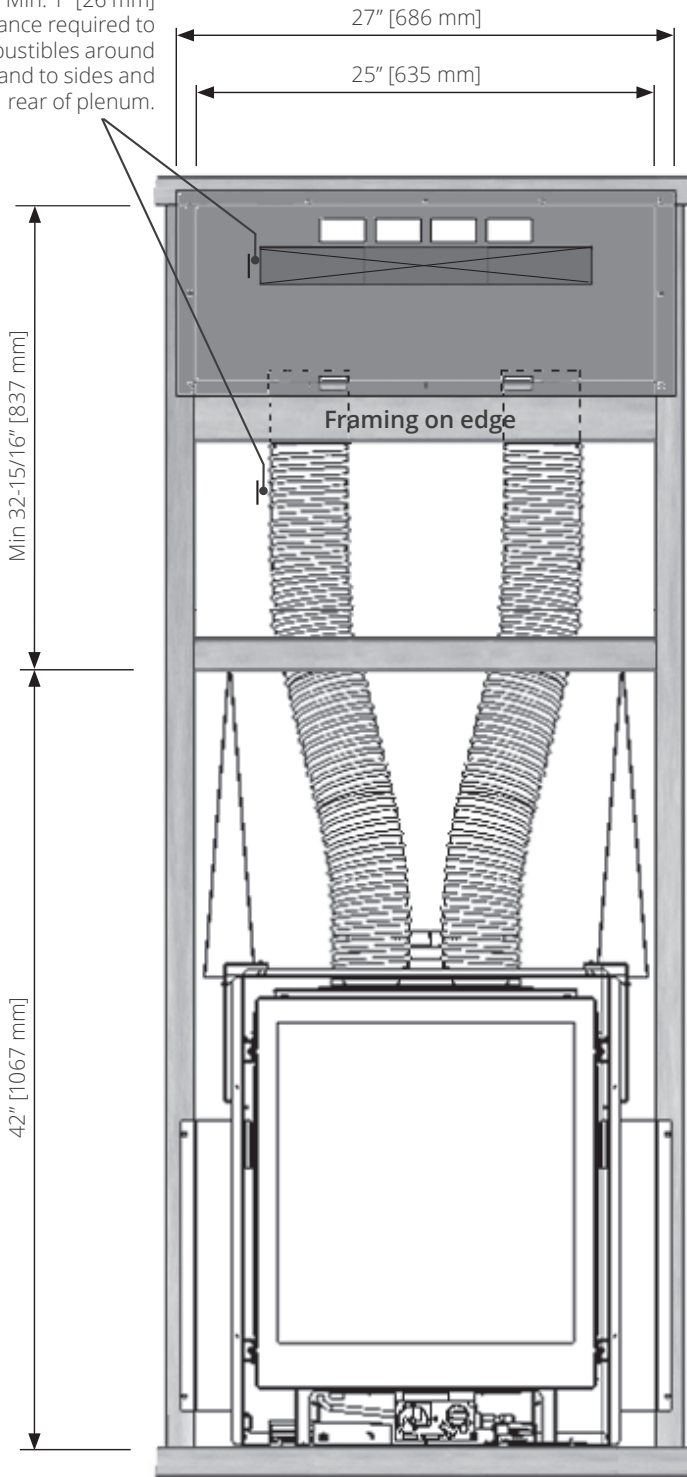
## Allowable Rise and Offset

Y Vertical Rise	X Max. Allowable Horizontal Offset
42" [1067 mm]	48" [1220 mm]
48" [1220 mm]	60" [1524 mm]
54" [1372 mm]	72" [1829 mm]
60" [1524 mm]	84" [2134 mm]
66" [1677 mm]	96" [2439 mm]
12'-0" [3658 mm]	96" [2439 mm] Max.

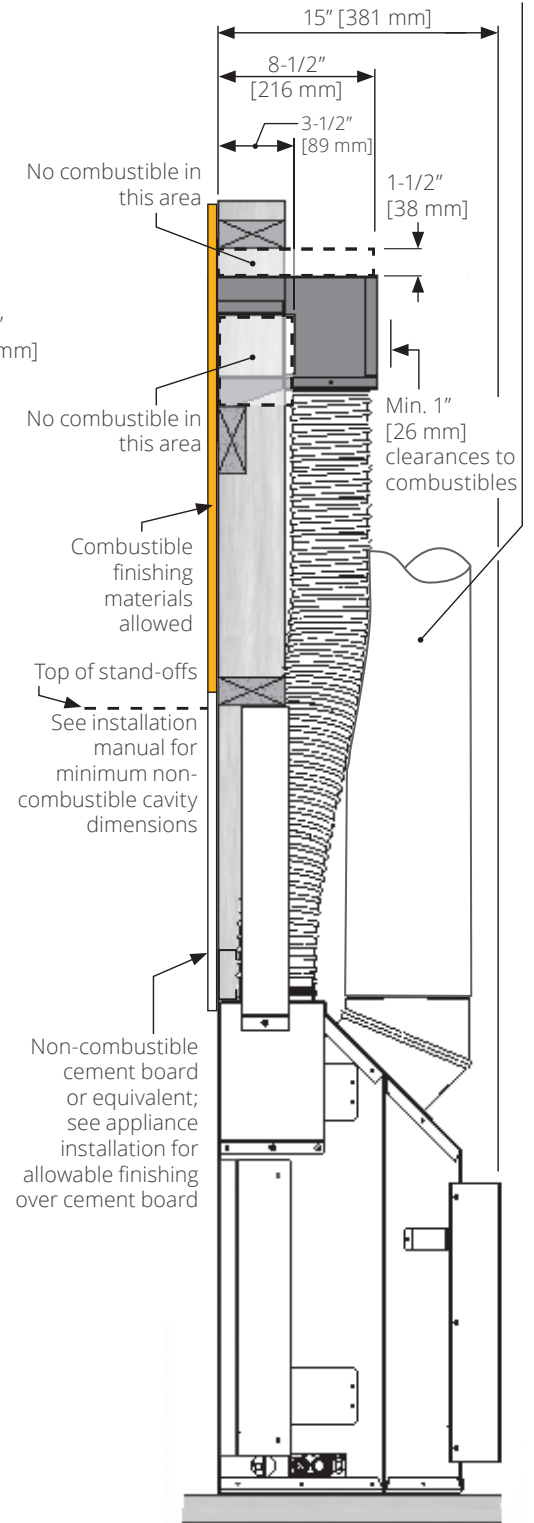


# Typical Framing - LDK12 Kit

Min. 1" [26 mm] clearance required to combustibles around pipes and to sides and rear of plenum.

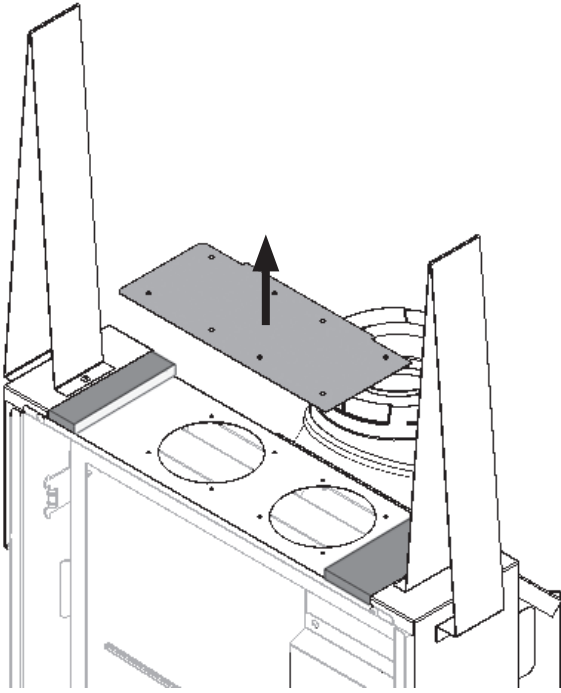


Vertical vent will pass by the plenum without need to offset the vent



## Install HeatShift Take-Off Collars

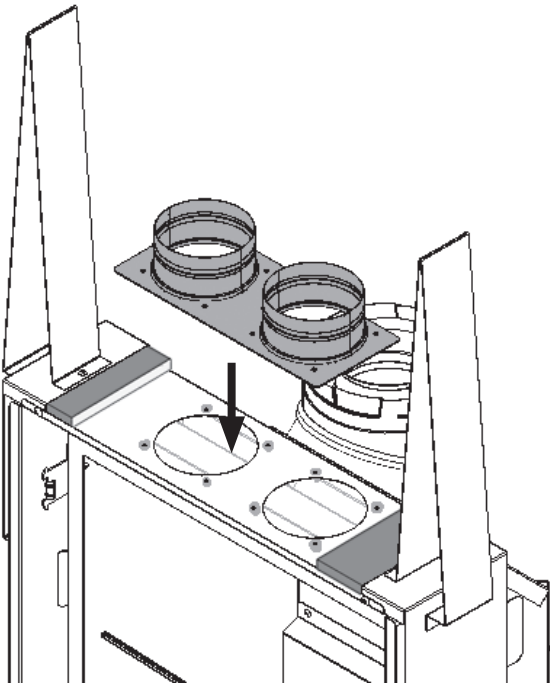
1. Remove the cover plate on top of the appliance case (8 screws).



### **WARNING**

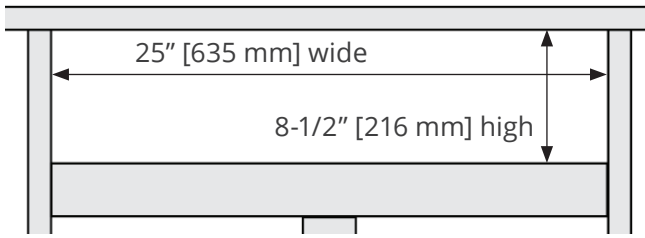
**BOTH (2) takeoffs MUST BE CONNECTED TO THE PLENUM.**

2. Install the take-off collars on the holes on top of the appliance's case (8 screws).

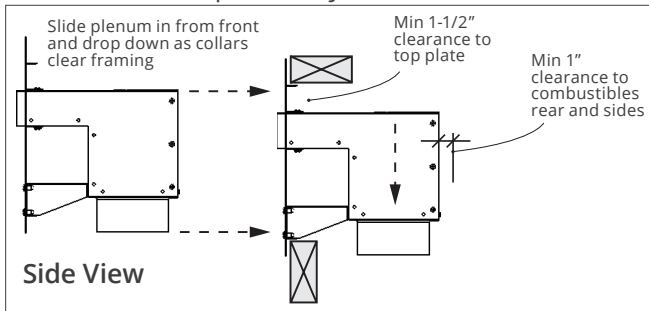


## Install Plenum Kit (LDK12)

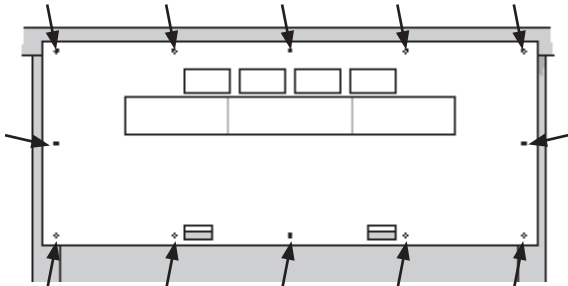
1. Frame a rough opening at the desired location—see earlier sections of this manual for detail.



2. Install the plenum into the front of the frame opening, maintaining minimum clearances to combustibles as previously listed.

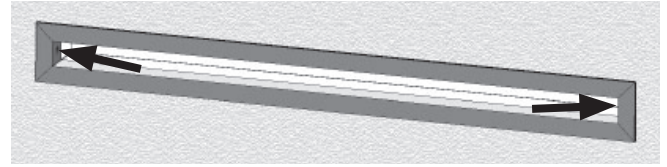


3. Secure the plenum to the front of the framing using screws through the faceplate (12 screws).



4. Attach one section of UL-181, Class 1 approved air duct to each of the collars and secure it with gear clamps provided. **DO NOT SPLICE DUCTS!**
5. Attach the top of the air duct sections to the plenum securing them with the gear clamps provided. An upward slope must be maintained in horizontal sections of pipes for proper convection (see Allowable Rise and Offset in this manual). Use straps as necessary to maintain the pipes positions. Support horizontal sections every 24 inches.

6. Paint the inside surfaces of the plenum using high-temperature flat black spray paint for installations where the inside of the plenums may be visible. **Note:** The flanges of the white finishing frame (when used) will insert approximately 1-1/4" into the plenum covering the shiny sheet metal.
7. Install the LDK13 finishing frame to the plenum after the wall finish is completed.



**Note:** The frame/louver are finished white but may be painted another color if desired; use high temperature paint (250°F). You may also finish up to the perimeter of the plenum opening with your material of choice and not use the frame or louver. Do not finish over the opening in the plenum outlet.

8. Continue with the fireplace installation.

## Repair Parts List

	Description	Part no.
LDK12	Hot Air Plenum 18" [ mm] Kit	
	Plenum double 18" x 2" [762 x 61 mm]	4010613
	Take-off collar plate - 2 collars of 4" [102 mm] diameter	4007864
LDK13	Outlet Frame Kit for LDK12, 18" [ mm]	
	Aux Frame-SPL 18" x 2" [762 x 61 mm] white	4009528
LDK11	4" [102 mm] Aluminum 2-ply Flex Kit	
	4" [102 mm] dia 10' [3 m] (uncompressed) aluminum chimney liners (2)	4007953
	2.5-4.5" [64-115 mm] ss gear clamps (8)	4007955

Each kit is sold separately.