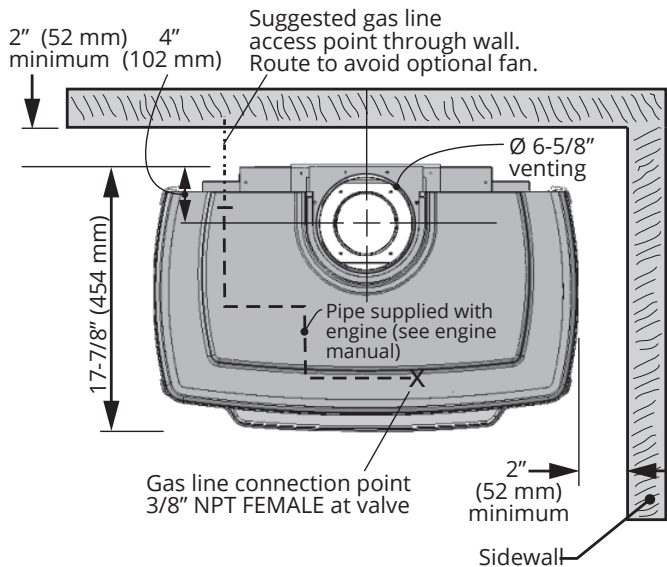


Valor[®] Madrona

Dec 2020

1/2

MF28 Madrona Traditional Stove— Dimensions and Clearances



Input

High 26,000 Btu (NG/LPG)

Low 6,500 Btu (NG)

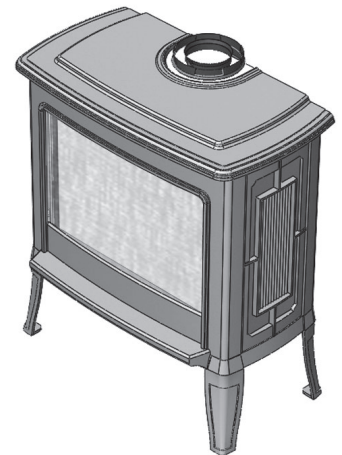
14,500 Btu (LPG)

Venting

Top or Rear Outlet (co-axial)

Rear outlet only (co-linear, 3x3)

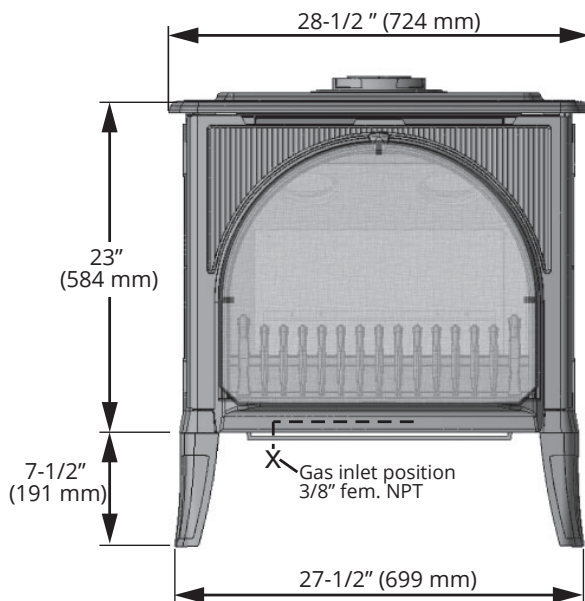
Same with Arched or Square fronts



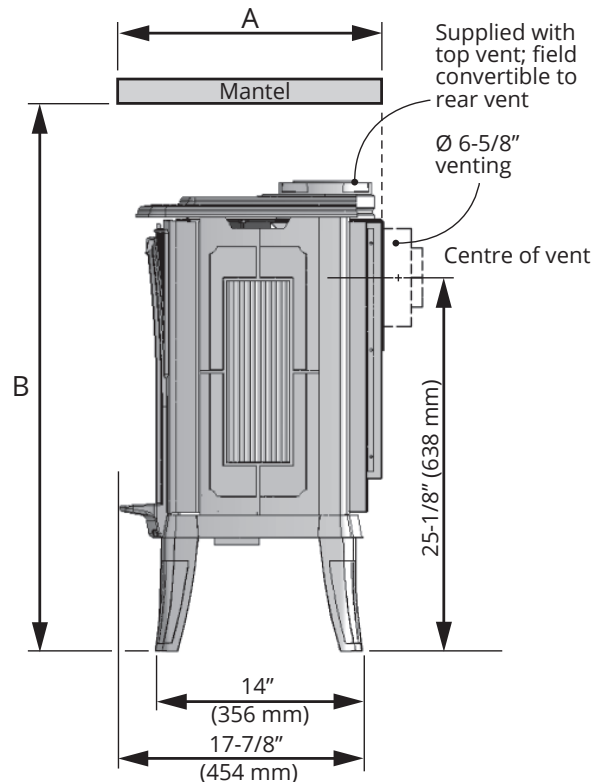
Mantel / shelf clearances

	0-1	2-5	6-18	19-24
Mantel Depth 'A'	[0-26]	[51-127]	[152-457]	[483-610]
Mantel Height 'B'	34	36	38	42
	[864]	[914]	[965]	[1067]

Top View



Front View



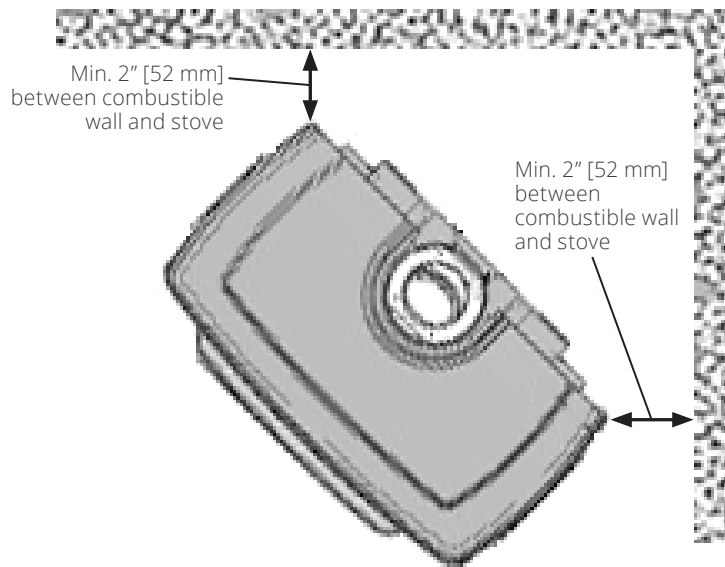
Right Side View

Valor[®] Madrona

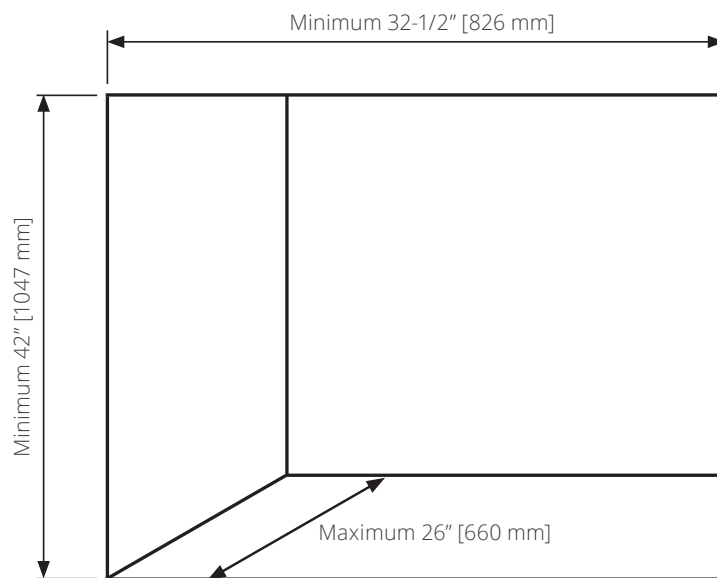
Dec 2020

2/2

MF28 Madrona Traditional Stove— Dimensions and Clearances



Corner Clearances



Alcove Clearances