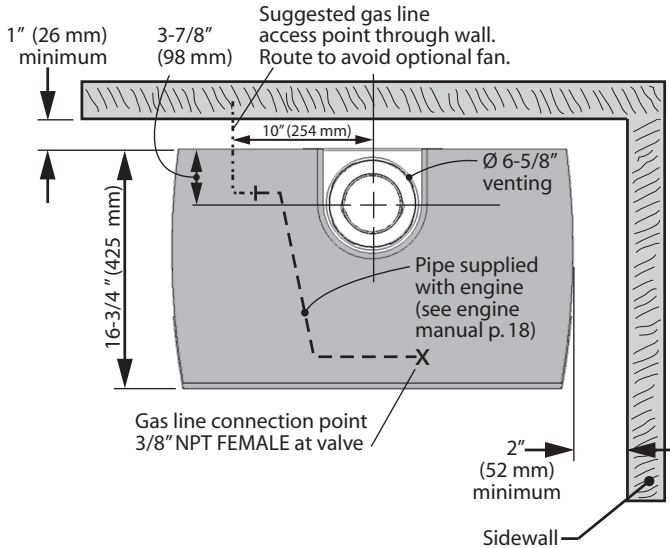
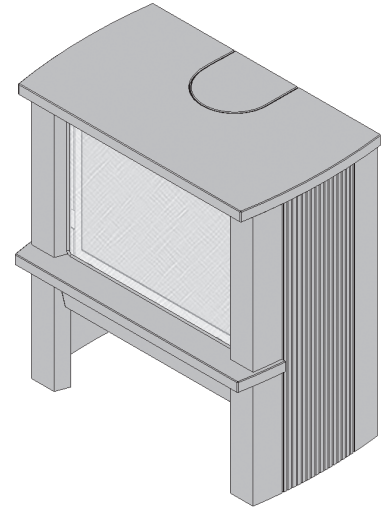


Input  
High 28,000 Btu (NG & LPG)  
Low 6,500 Btu (NG)  
14,500 Btu (LPG)

Top or Rear Outlet (Co-axial)  
Also convertible to Co-linear  
outlet (two 3" liners) for Rear  
Outlet only.

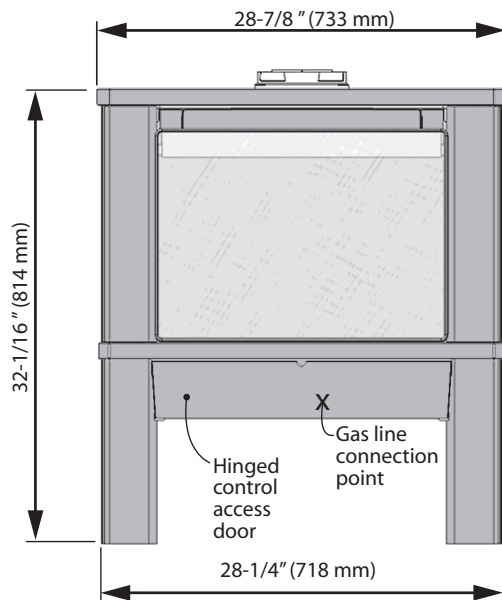
Approved for mounting on  
combustible floor.



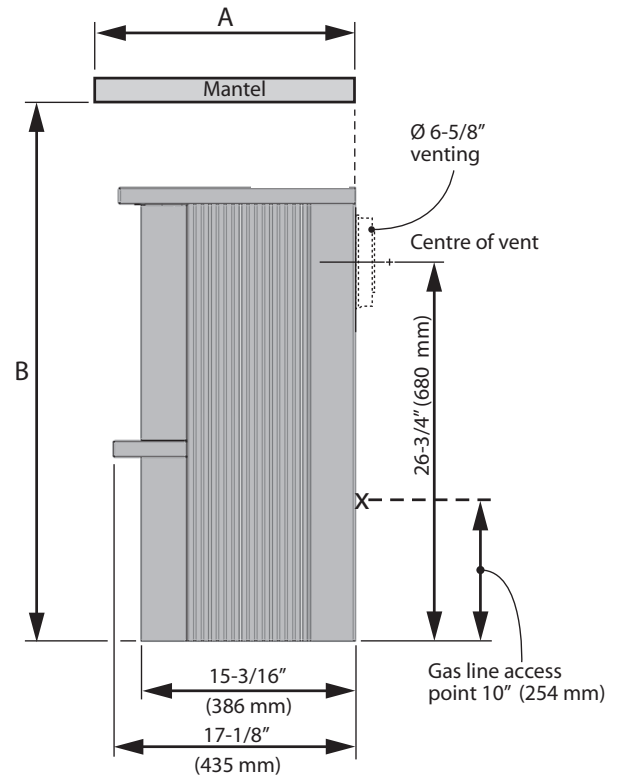
**Top**

Mantel / shelf clearances

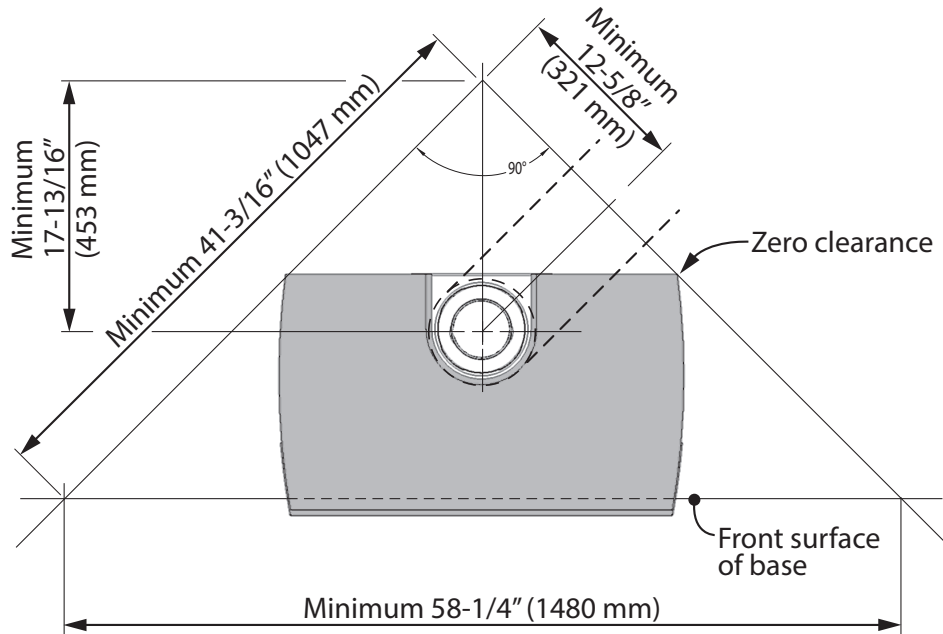
Mantel Depth 'A'	0-1" (0-26 mm)	2-5" (51-127 mm)	6-18" (152-457 mm)	19-24" (483-610 mm)
Mantel Height 'B'	34" (864 mm)	36" (914 mm)	38" (965 mm)	42" (1067 mm)



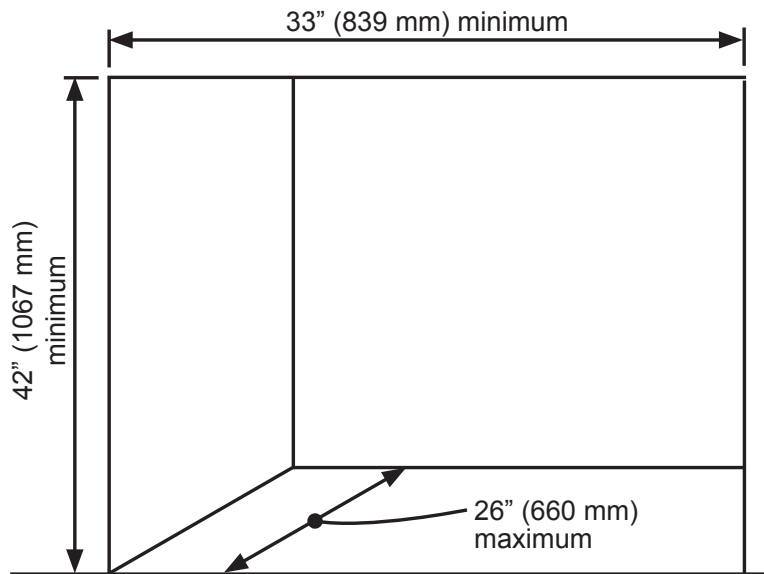
**Front**



**Right Side**



**Corner Dimensions**



**Alcove Clearances**