

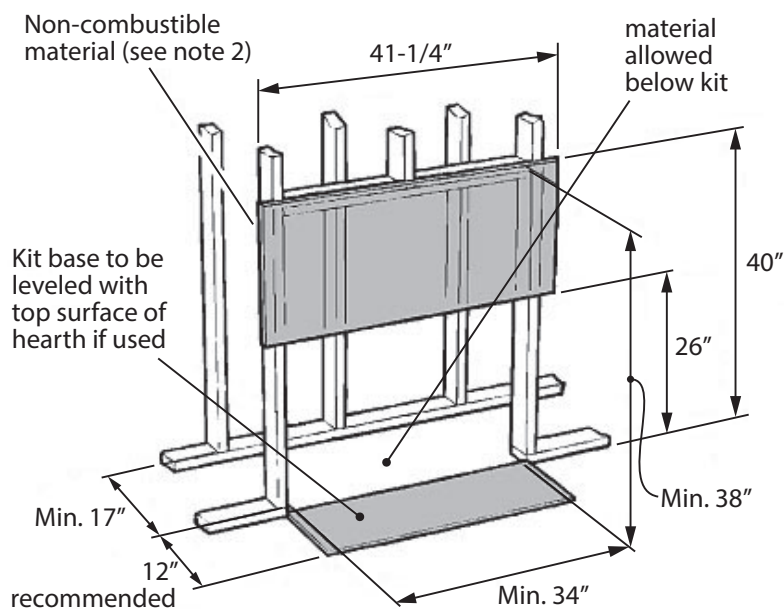
valor® G3 738 BV

Jan 2023

1/2

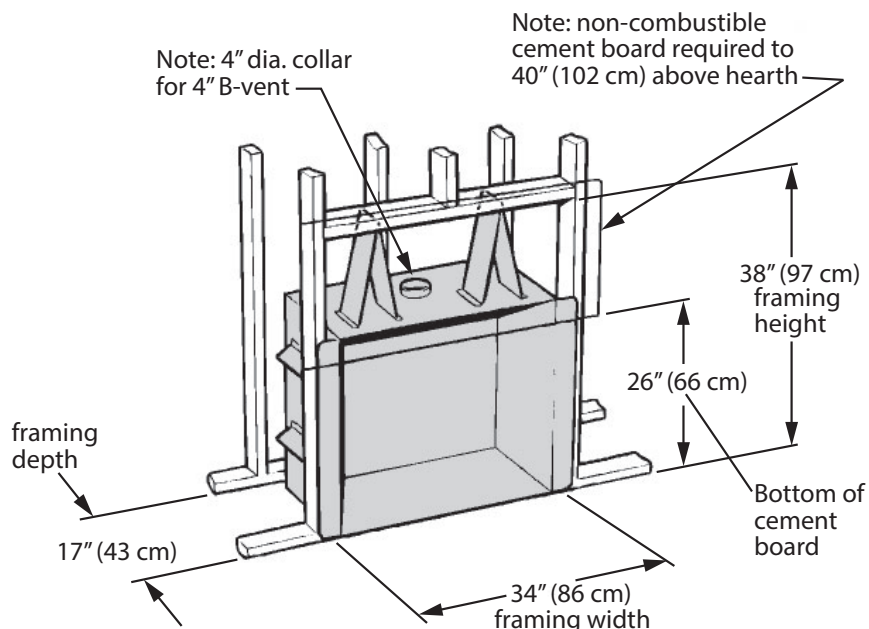
Zero Clearance Kit 770ZCK— Dimensions & Framing

The G3 738 BV appliance is APPROVED for installation into combustible type construction only when using the 770ZCK—Zero Clearance Kit (see separate instructions packaged with the kit for details).



Notes

1. Although not mandatory to protect the combustible floor, we recommend that carpet, soft vinyl floor coverings, etc., not be placed within the hearth area, as these type of finishes may be damaged due to the high radiant output from the appliance.
2. The non-combustible material must be added after kit is installed.
3. See 770ZCK installation manual for hearth requirements.
4. See Front or Trim installation manual for details about mantel clearances.



valor® G3 738 BV

Jan 2023
2/2

Zero Clearance Kit 770ZCK—Clearances

Clearances to Combustible Mantels

