

Valor[®] LT2 2700K

October 2023
1/3

Co-Linear Venting partially into existing cavity

Installation Partially Into Fireplace Cavity

Required accessories:

- Co-axial to co-linear adapter at appliance, Valor 1156CLA or equivalent;
- 2 lengths of 2-ply, flexible chimney liner approved for venting gas appliances:
 - 1 x 3-inch diameter for air inlet and
 - 1 x 4-inch diameter for exhaust;
- Co-linear termination kit 3 x 4 and flashing or co-linear to co-axial adapter and either high wind vertical vent terminal cap or a low profile vertical termination.

This appliance must be completely framed and maintain clearances to combustibles as shown in the Installation Manual.

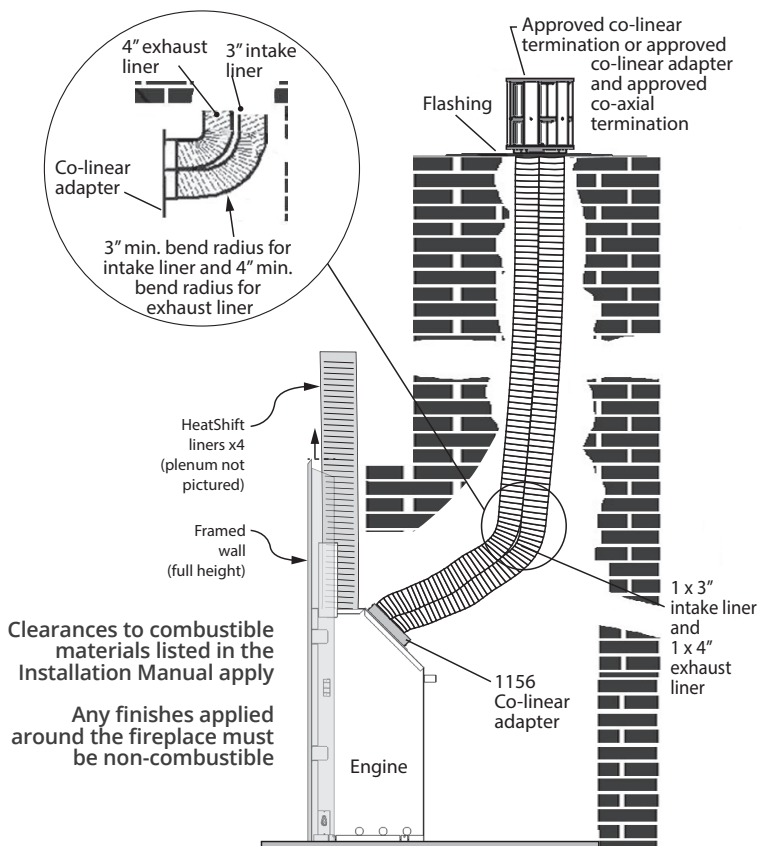
Rules for Co-Linear Venting

- Maximum 40 feet vertical pipe
- Minimum 10 feet vertical
- Maximum offset 8 feet with liners at minimum 45 degrees from horizontal plane
- Restrictor: Set to Position 4 (see Installation Manual)

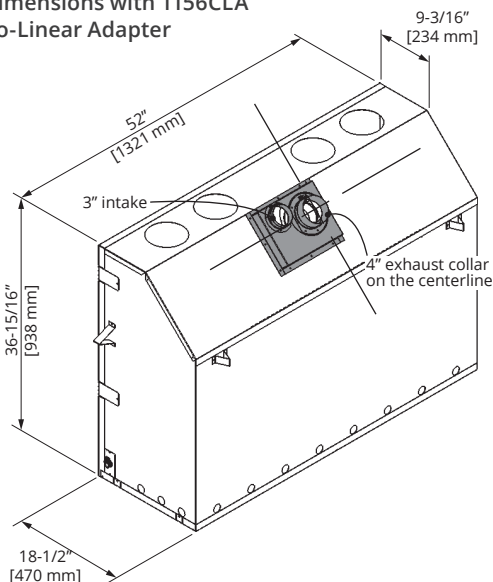
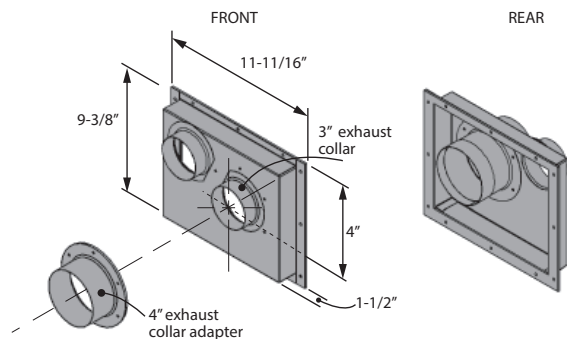
Installation Using 1156CLA

For installation of the adapter to the appliance, see the instructions supplied with the 1156CLA.

The colinear adapter and liner portion of the venting must be within the solid fuel fireplace and chimney.



Dimensions with 1156CLA
Co-Linear Adapter



Valor[®] LT2 2700K

October 2023
2/3

Co-Linear Venting into existing adjacent chimney

Installation Into Existing Adjacent Chimney

Note: Co-linear portion of vent system may only be installed within a solid-fuel burning fireplace and chimney.

The appliance can be adapted to co-linear applications using an existing chimney. The appliance must not be connected to a chimney flue serving a separate solid-fuel burning appliance.

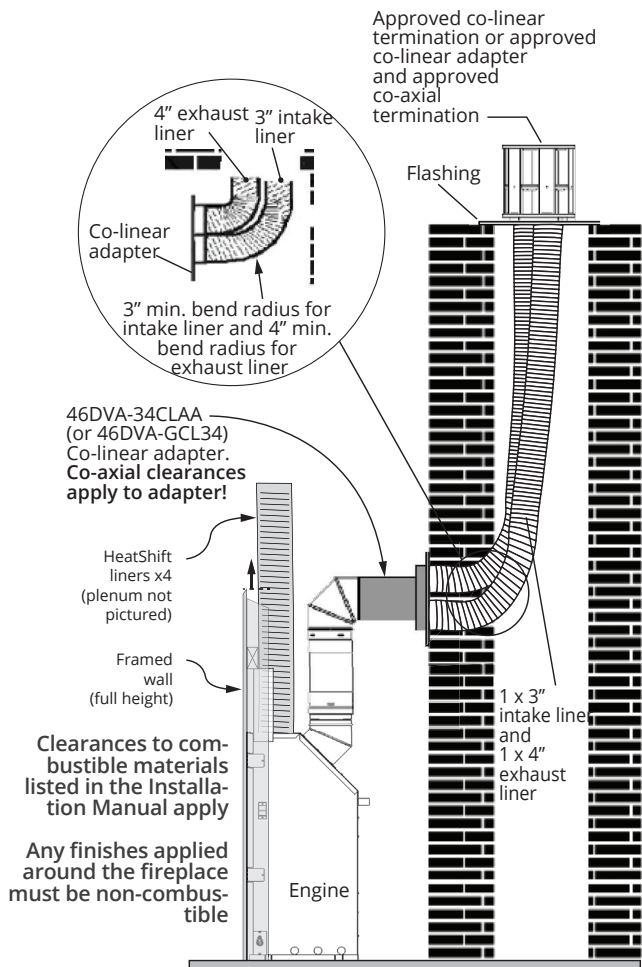
Requires the Co-Axial to Co-Linear appliance Adapter 46DVA-CLAA, 46DVA-GCL, or equivalent, one length of 3" and one length of 4", 2-ply flexible chimney liner,

both approved for venting gas appliances, a co-linear termination kit, and flashing.

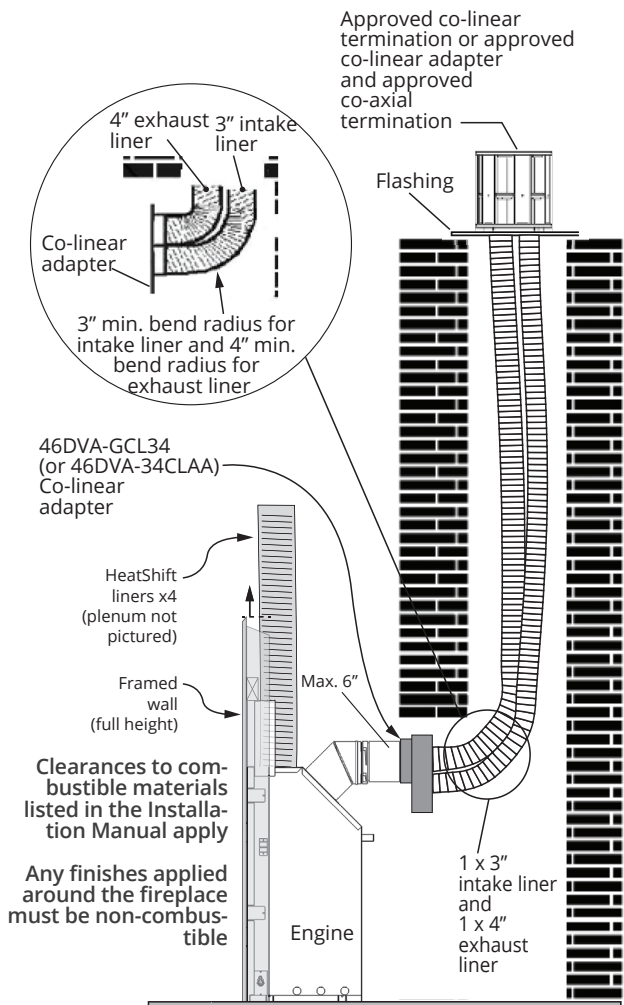
The appliance must be fully enclosed while maintaining clearances to combustibles detailed elsewhere in the Installation Manual.

Rules for Co-Linear Venting

- Maximum 40 feet vertical pipe
- Minimum 10 feet vertical
- Maximum offset 8 feet with liners at minimum 45 degrees from horizontal plane
- Restrictor: Set to Position 4 (see Installation Manual)



Installation using 46DVA-CLAA



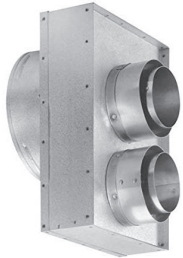
Installation using 46DVA-GCL

valor[®] LT2 2700K

October 2023
3/3

Co-Linear Venting—Example of accessories

Examples of Co-axial to Co-linear Appliance Adapters



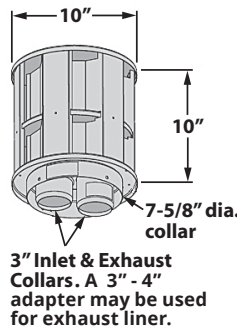
46DVA-GCL34



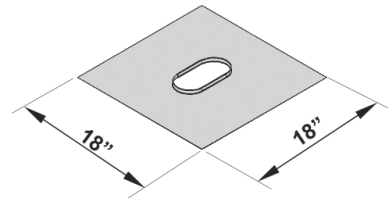
46DVA-34CLAA

Note: Co-linear flexible aluminum venting should be professionally inspected periodically for corrosion and damage and replaced when necessary. If the installation does not allow for future inspection or replacement of the flexible aluminum venting, then stainless steel vent liners should be used.

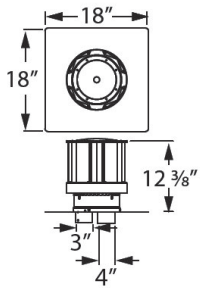
Examples of Co-linear Terminal Configurations



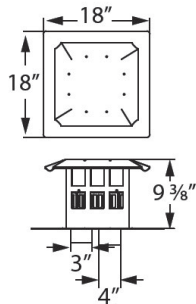
Co-Linear Terminal (typical)



Flashing Kit



Co-linear Termination Kits



Alternate Co-linear to Co-axial Conversion at Terminal

