

valor[®] L3 1800K

February 2020
1/3

Framing Dimensions

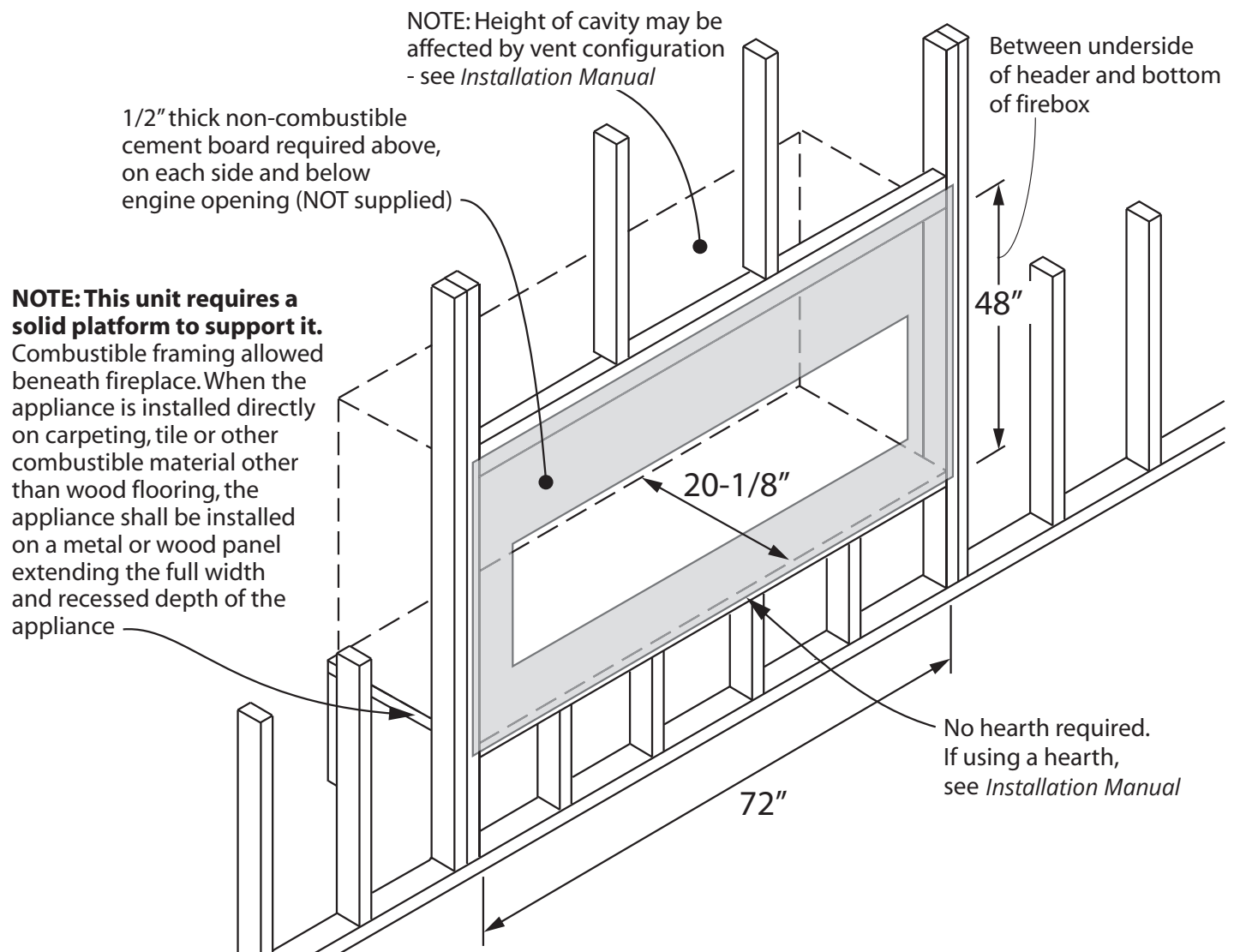
NOTE

Use for the optional HeatShift System affects mantel and hearth clearances. See HeatShift section in Appendix D of Installation Manual.



WARNING

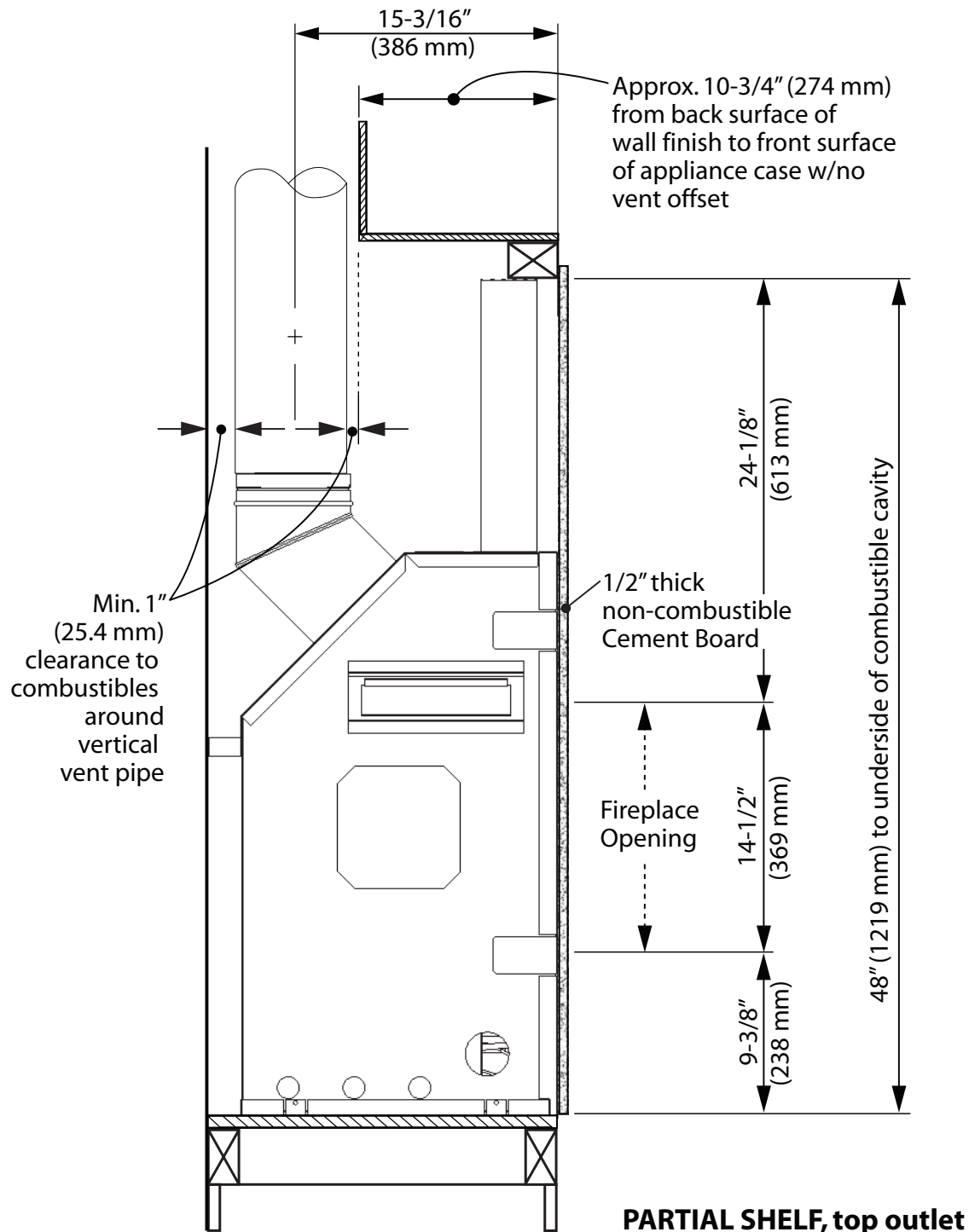
HeatShift System **MUST** be installed on this appliance when using 1830CIK—Clean Installation Kit!



valor L3 1800K

February 2020
2/3

Framing—Partial shelf, top outlet



Framing—Venting—Vertical takeoff

*Notes—ALL venting considerations

- Dimensions of venting are based on using Dura-Vent elbows. Elbow curve radius dimensions will vary when using other brands. In general, other brands have slightly bigger radius.
- Minimum 24 inches vertical pipe section required right at unit. Refer to venting chart on page 30 for allowable horizontal runs.
- 3 inches clearance to combustibles required above horizontal pipe. Slope horizontal pipe upwards 1/4 inch per foot. 1 inch clearance required around sides and bottom of horizontal pipe and around vertical pipe.
- When calculating effective pipe lengths subtract approximately 1-1/2 inch for pipe joint - for example, a 12 inches pipe section will add approximately 10-1/2 inches overall.

