

# valor L2 1700K

December 2019  
1/4

## Co-Linear Venting—existing fireplace cavity

### Installation into existing fireplace cavity

**Note:** Co-linear portion of vent system may only be installed within a solid-fuel burning fireplace and chimney.

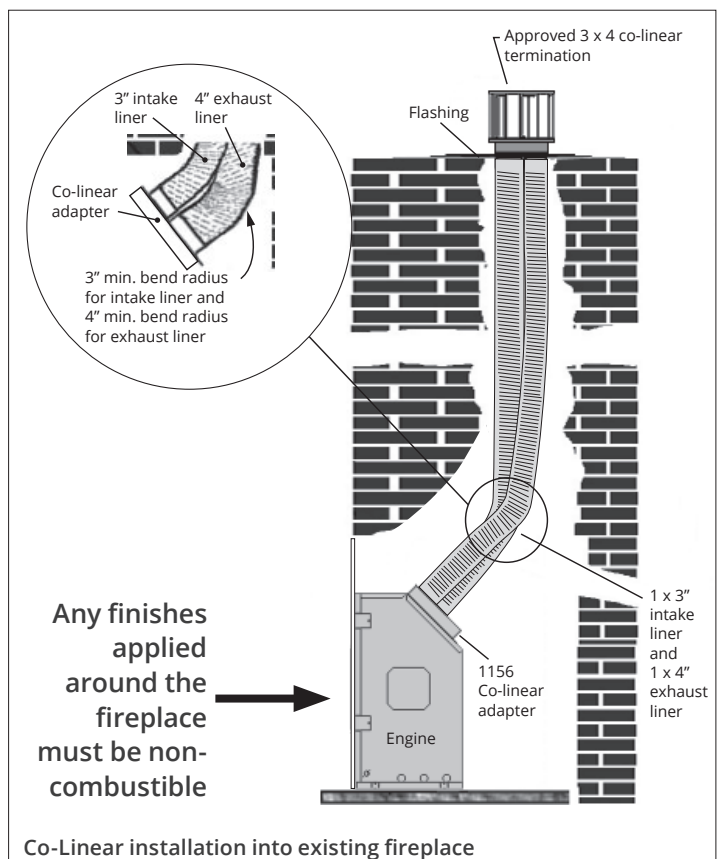
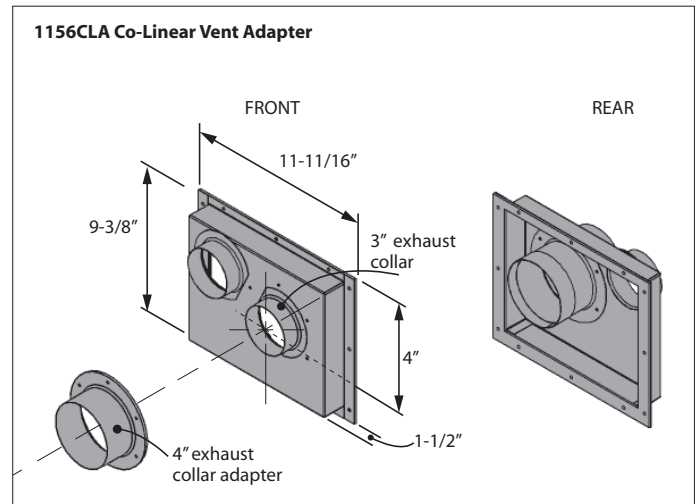
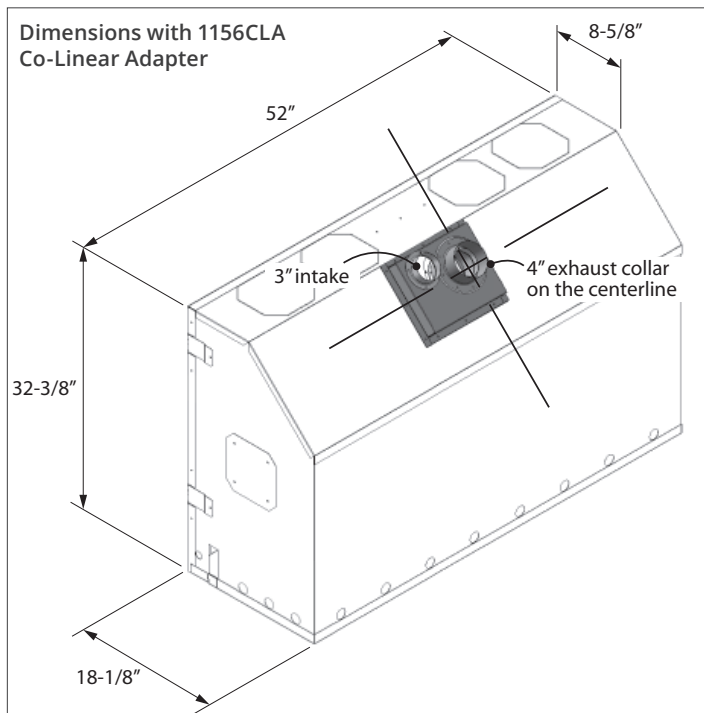
The appliance must not be connected to a chimney flue serving a separate solid-fuel burning appliance.

Requires the Valor Co-Axial to Co-Linear appliance Adapter 1156CLA, two lengths of 2-ply flexible chimney liner both approved for venting gas appliances: one 3" diameter liner for intake and one 4" diameter liner for exhaust, a 3 x 4 co-linear termination kit and flashing.

*Firebox zero clearance standoffs supplied with the heater may be removed to suit this application.*

### Rules for Co-Linear Venting

- Maximum 40 feet vertical pipe
- Minimum 10 feet vertical
- Maximum offset 8 feet with liners at minimum 45 degrees from horizontal plane
- Restrictor: Not required when using co-linear venting.



# Valor® L2 1700K

December 2019  
2/4

## Co-Linear Venting partially into existing cavity

### Installation partially into fireplace cavity

**Note:** Co-linear portion of vent system may only be installed within a solid-fuel burning fireplace and chimney.

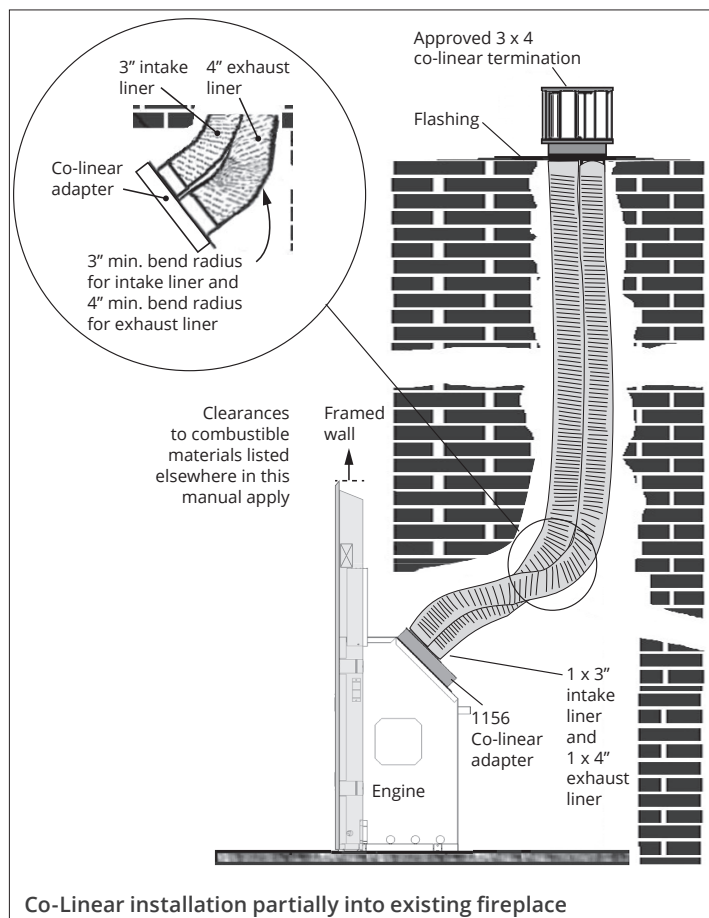
The appliance can be adapted to co-linear applications using an existing chimney. The appliance must not be connected to a chimney flue serving a separate solid-fuel burning appliance.

Requires the Valor Co-Axial to Co-Linear appliance Adapter 1156CLA, 46DVA-GLC34 or equivalent, two lengths of 2-ply flexible chimney liner both approved for venting gas appliances: one 3" diameter liner for intake and one 4" diameter liner for exhaust, a 3 x 4 co-linear termination kit and flashing.

The appliance must be fully enclosed while maintaining clearances to combustibles detailed elsewhere in this manual.

### Rules for Co-Linear Venting

- Maximum 40 feet vertical pipe
- Minimum 10 feet vertical
- Maximum offset 8 feet with liners at minimum 45 degrees from horizontal plane
- Restrictor: Not required when using co-linear venting.



# valor® L2 1700K

December 2019  
3/4

## Co-Linear Venting into existing adjacent chimney

### Installation into existing adjacent chimney

**Note:** Co-linear portion of vent system may only be installed within a solid-fuel burning fireplace and chimney.

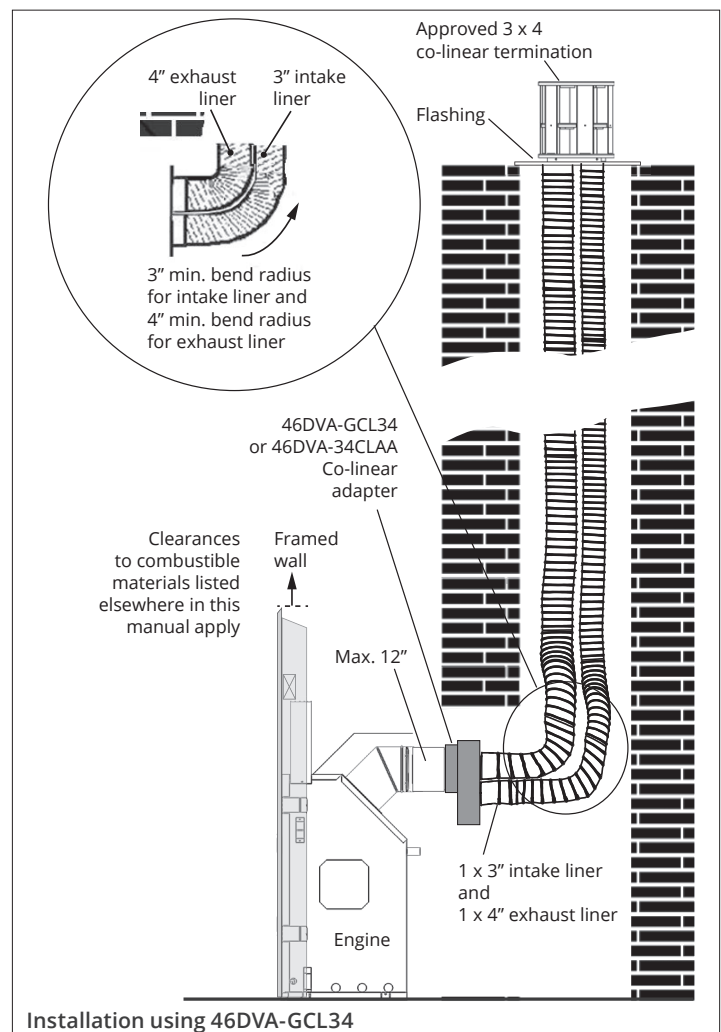
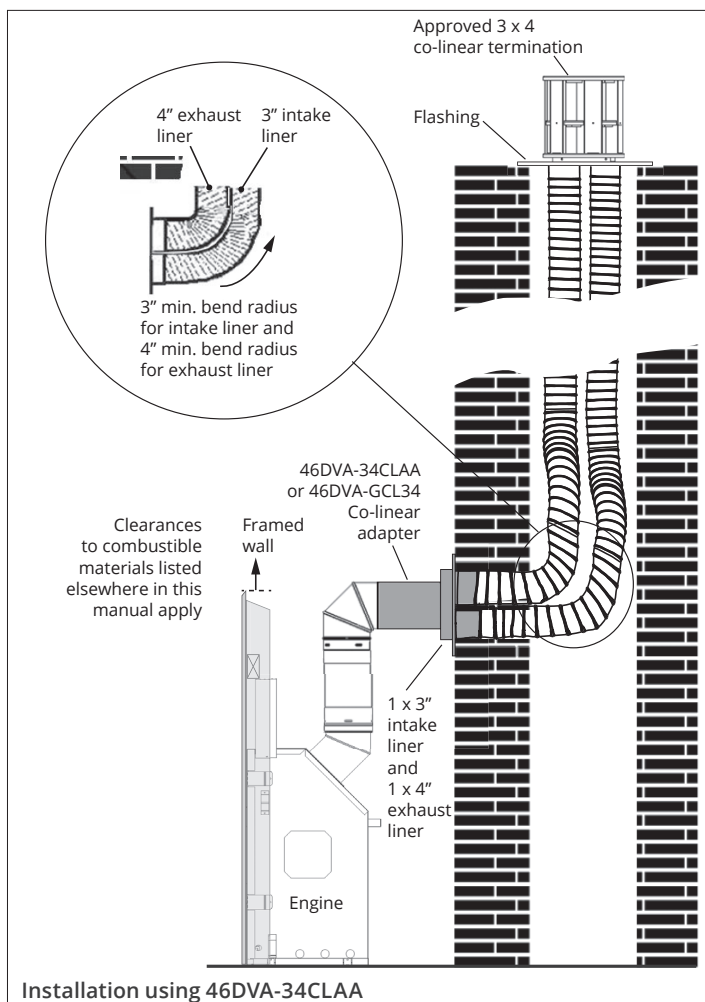
The appliance can be adapted to co-linear applications using an existing chimney. The appliance must not be connected to a chimney flue serving a separate solid-fuel burning appliance.

Requires the Co-Axial to Co-Linear appliance Adapter 46DVA-34CLAA or equivalent, two lengths of 2-ply flexible chimney liner both approved for venting gas appliances: one 3" diameter liner for intake and one 4" diameter liner for exhaust, a 3 x 4 co-linear termination kit and flashing.

The appliance must be fully enclosed while maintaining clearances to combustibles detailed elsewhere in this manual.

### Rules for Co-Linear Venting

- Maximum 40 feet vertical pipe
- Minimum 10 feet vertical
- Maximum offset 8 feet with liners at minimum 45 degrees from horizontal plane
- Restrictor: Not required when using co-linear venting.

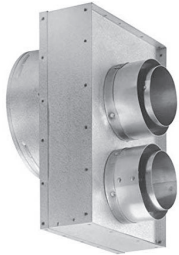


# valor® L2 1700K

December 2019  
4/4

## Co-Linear Venting—Example of accessories

### Co-axial to Co-linear Appliance Adapters



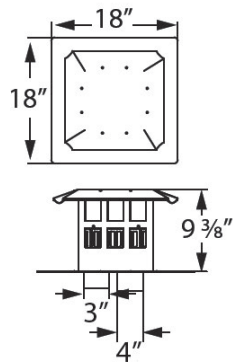
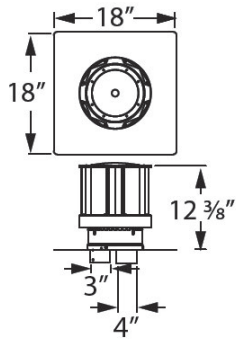
46DVA-GCL34



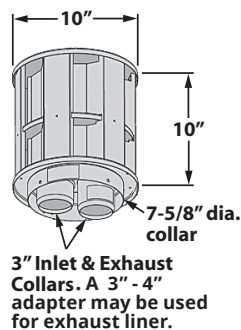
46DVA-34CLAA

**Note:** Co-linear flexible aluminum venting should be professionally inspected periodically for corrosion and damage and replaced when necessary. If the installation does not allow for future inspection or replacement of the flexible aluminum venting, then stainless steel vent liners should be used.

### Co-linear Terminal Configurations

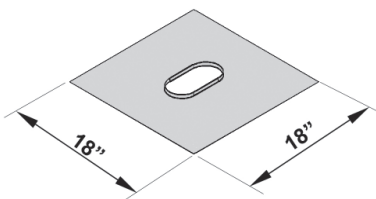


Co-linear Termination Kits



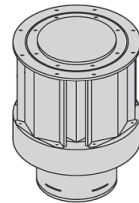
**3" Inlet & Exhaust Collars. A 3" - 4" adapter may be used for exhaust liner.**

Co-Linear Terminal (typical)



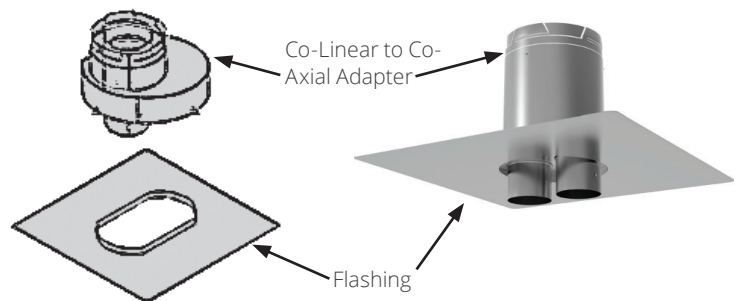
Flashing Kit

### Alternate Co-linear to Co-axial Conversion at Terminal



With...

Co-axial Terminal Cap



Co-Linear to Co-Axial Adapter

Flashing