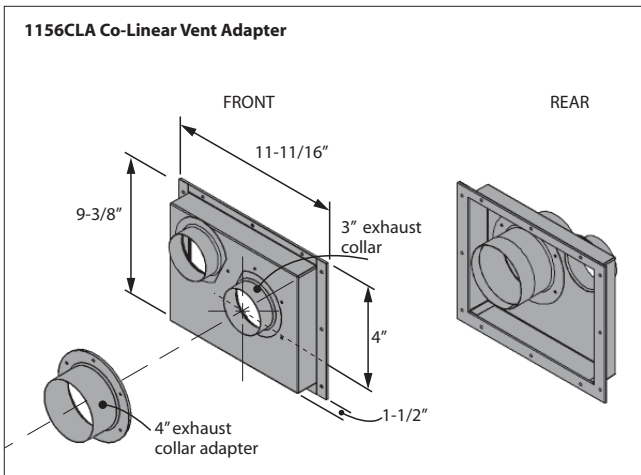
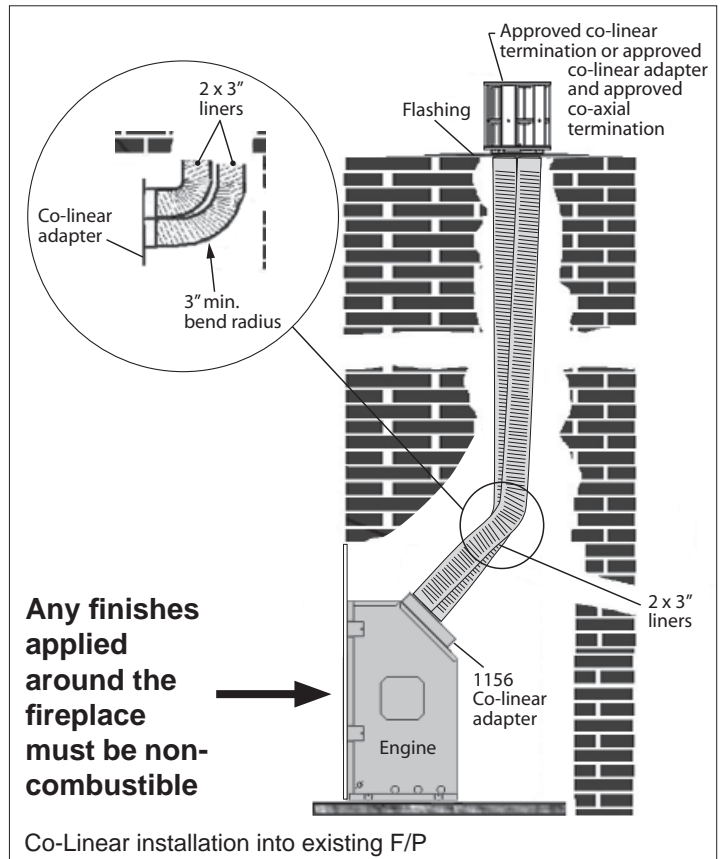


Conversion to Co-Linear Liners using Valor 1156CLA Co-Linear Adapter

Co-linear portion of vent system may only be installed within a solid-fuel burning fireplace and chimney.
The appliance must not be connected to a chimney flue serving a separate solid-fuel burning appliance. Requires the Valor Co-Axial to Co-Linear appliance Adapter 1156CLA, two lengths of 2-ply 3" dia. flexible chimney liner approved for venting gas appliances, a co-linear termination kit and flashing or a co-linear to co-axial adapter and either a high wind vertical vent terminal cap or a low profile vertical termination. *Firebox zero clearance standoffs supplied with the heater are not required for this application.*



Rules for Co-Linear Venting

- Maximum 40 feet vertical pipe
- Minimum 10 feet vertical
- Maximum offset 8 feet with liners at minimum 45 degrees from horizontal plane
- Restrictor: Use #4 position for all co-linear installations—refer to manual for restrictor positioning.

Dimensions with co-linear adapter

Dimensions shown are with Valor 1156 co-linear adapter.

Installation

For installation of the adapter to the appliance, see the instructions supplied with the 1156CLA.

