

valor[®] H6 1400M

July 2024

1/5

Co-Linear Venting

Applications

This appliance can be converted to install as a co-linear application. The co-linear portion of the vent system may only be installed within a solid-fuel burning fireplace and chimney.

This appliance must not be connected to a chimney flue serving a separate solid-fuel burning appliance.

Types of Installations

- Installation into an existing fireplace
- Partial installation into an existing fireplace
- Installation into an adjacent chimney

See the following pages for each installation details.

Rules for Co-Linear Venting

- Maximum 40 feet vertical pipe
- Minimum 10 feet vertical
- Maximum offset 8 feet with liners at minimum 45 degrees from horizontal plane
- Do not let the liners sag
- Restrictor: Use #3 position for all co-linear venting applications.

NOTE

Co-linear flexible aluminum venting liners should be professionally inspected periodically for corrosion and damage and replaced when necessary. If the installation does not allow for future inspection or replacement of the flexible aluminum liners, then stainless steel vent liners are recommended.

valor® H6 1400M

July 2024
2/5

Co-Linear Venting

Installing Into an Existing Fireplace

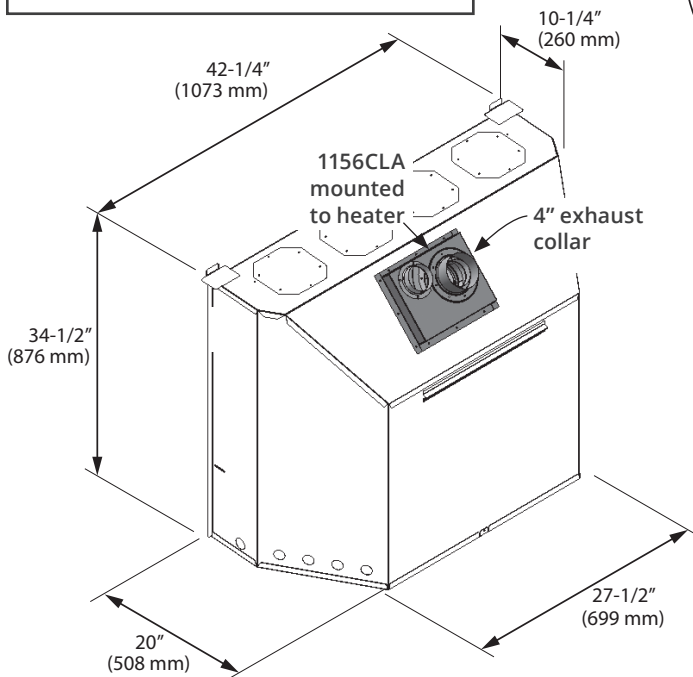
Required accessories:

- Valor Co-axial to co-linear adapter 1156CLA;
- 2 lengths of 2-ply, flexible chimney liner approved for venting gas appliances:
 - 1 x 3-inch diameter for air inlet and
 - 1 x 4-inch diameter for exhaust;
- Co-linear termination kit 3 x 4 and flashing or co-linear to co-axial adapter and either high wind vertical vent terminal cap or a low profile vertical termination.

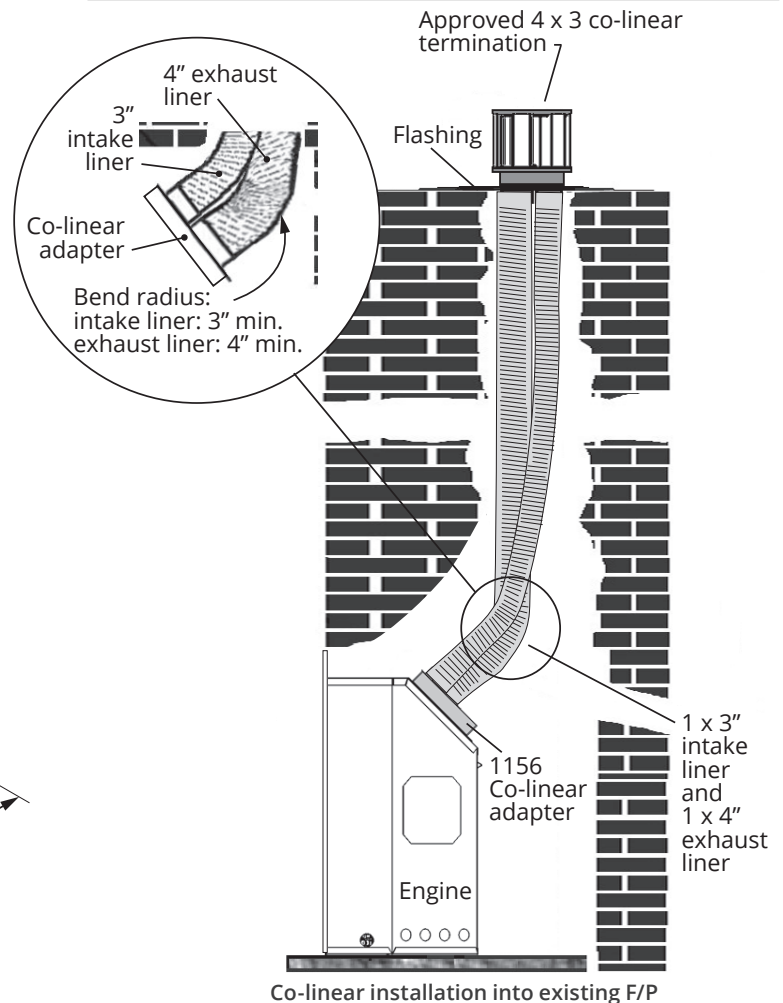
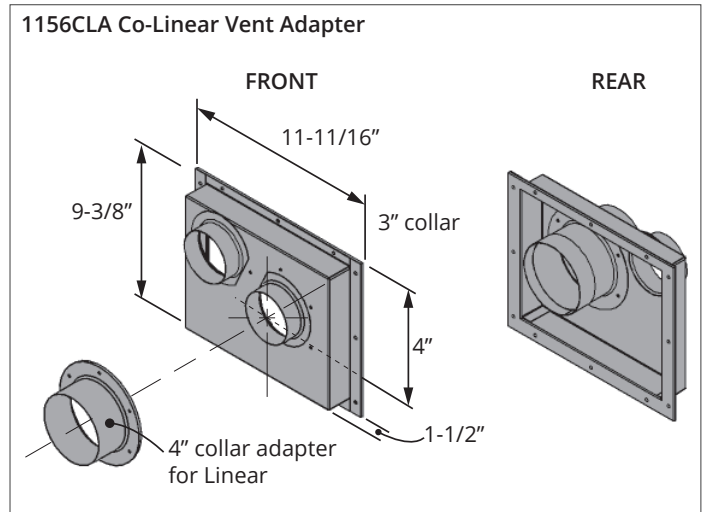
Note: A 3" diameter exhaust liner may be used if conditions will not allow for the 4" exhaust liner. Cold start-up problems may be experienced however when using a 3" exhaust liner.

Firebox zero clearance standoffs supplied with the heater are not required for this application.

NOTE
See 1156CLA installation manual for complete instructions.



Dimensions with Co-linear Adapter 1156CLA



Valor® H6 1400M

July 2024

3/5

Co-Linear Venting

Partial Installation Into an Existing Fireplace

The appliance can be partially inserted into the non-combustible cavity as illustrated below.

In this case, the appliance must be completely framed and maintain clearances to combustibles as shown in this manual.

Required accessories:

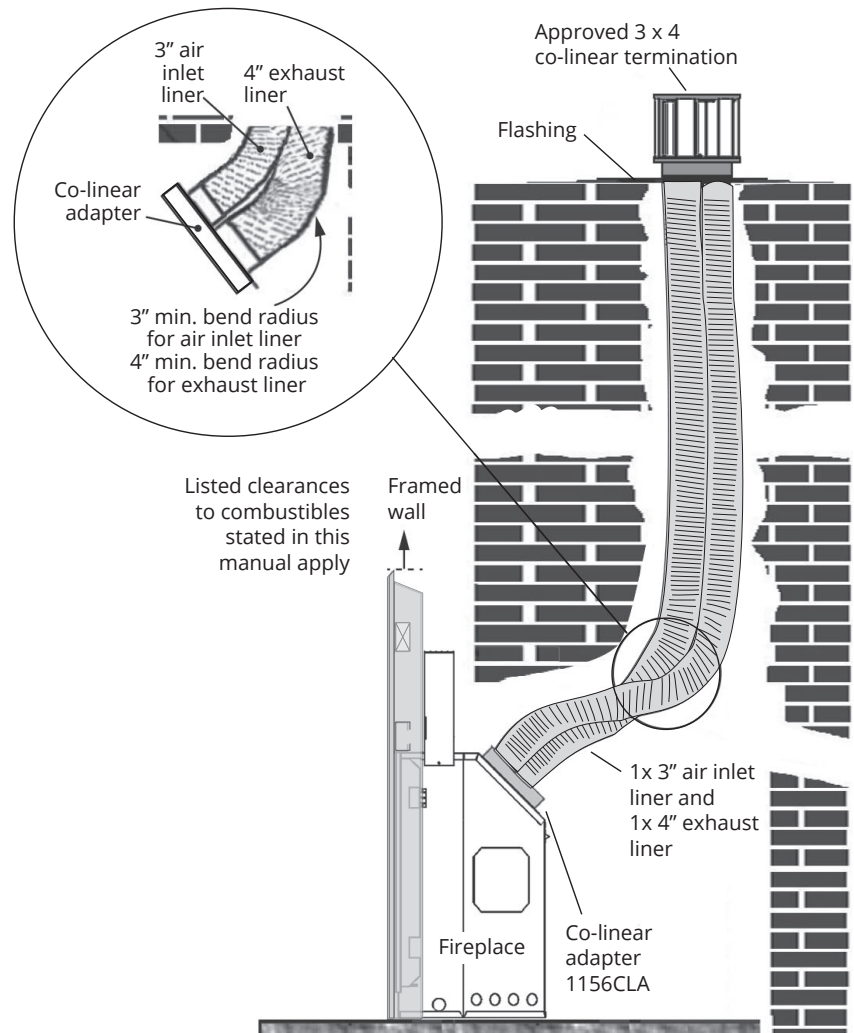
- Co-axial to co-linear adapter at appliance Valor 1156CLA, 46DVA-GCL34 or equivalent;
- 2 lengths of 2-ply, flexible chimney liner approved for venting gas appliances:
 - 1 x 3-inch diameter for air inlet and
 - 1 x 4-inch diameter for exhaust;
- Co-linear termination kit 3 x 4 and flashing or co-linear to co-axial adapter and either high wind vertical vent terminal cap or a low profile vertical termination.

NOTE

Standoffs are required to maintain clearances to combustibles for the part of the appliance outside a non-combustible cavity.

NOTE

This appliance must be completely framed and maintain clearances to combustibles as shown in this manual.



Co-linear installation on appliance partially into existing fireplace

valor[®] H6 1400M

July 2024

4/5

Co-Linear Venting

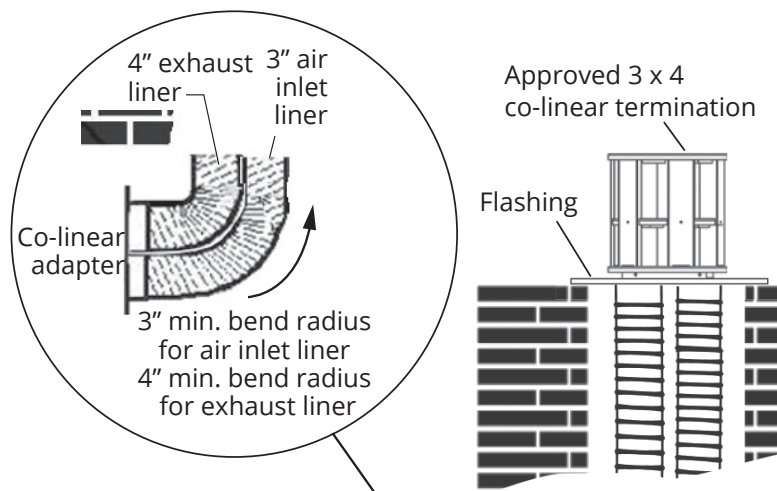
Installation Into an Adjacent Chimney

The appliance's venting system can be partially inserted into the non-combustible adjacent chimney as illustrated below.

In this case, the appliance must be completely framed and maintain clearances to combustibles as shown in this manual.

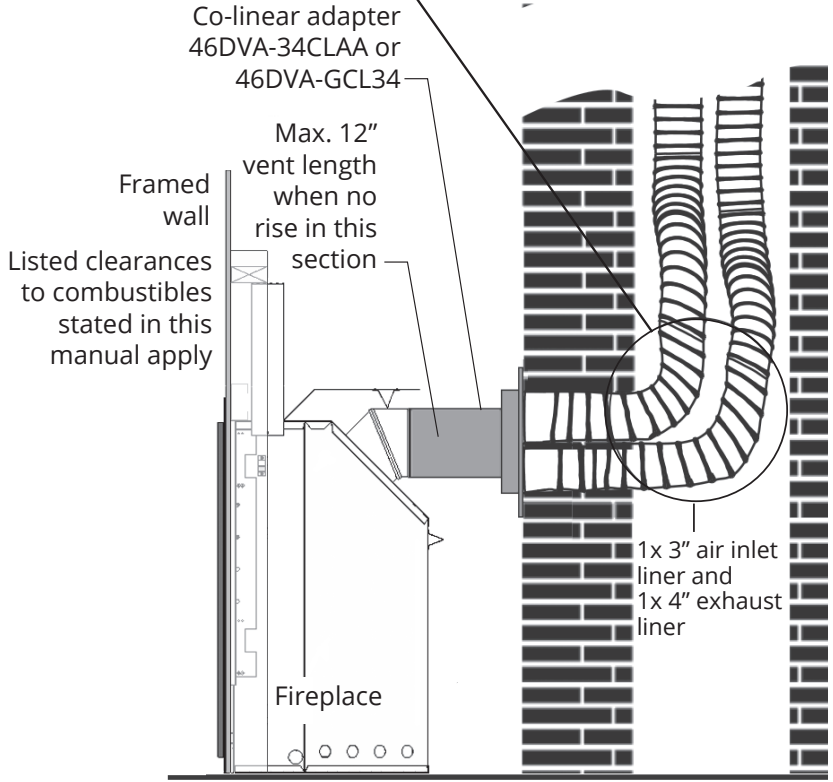
Required accessories:

- Co-axial to co-linear adapter at appliance 46DVA-34CLAA, 46DVA-GCL34 or equivalent;
- 2 lengths of 2-ply, flexible chimney liner approved for venting gas appliances:
 - 1 x 3-inch diameter for air inlet and
 - 1 x 4-inch diameter for exhaust;
- Co-linear termination kit 3 x 4 and flashing or co-linear to co-axial adapter and either high wind vertical vent terminal cap or a low profile vertical termination.



NOTE
Standoffs are required to maintain clearances to combustibles for the part of the appliance outside a non-combustible cavity.

NOTE
This appliance must be completely framed and maintain clearances to combustibles as shown in this manual.



Co-linear installation into adjacent existing chimney

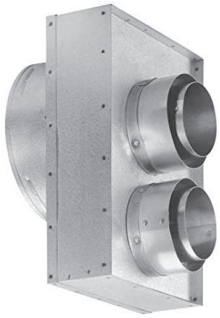
valor[®] H6 1400M

July 2024
5/5

Co-Linear Venting

Typical Co-linear Venting Components

Co-axial to Co-linear Appliance Adapters

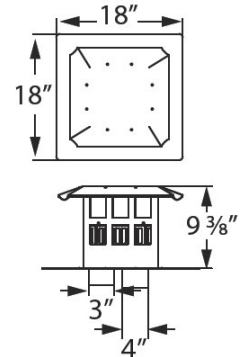
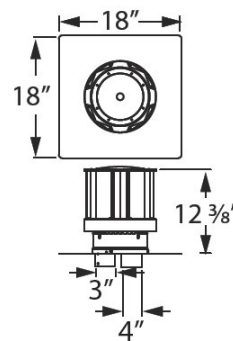


46DVA-GCL34



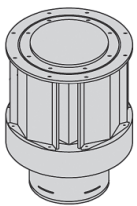
46DVA-34CLAA

Co-linear Terminal Configurations



Co-linear Kits

Alternate Co-linear to Co-axial Conversion at Terminal



Co-axial Terminal Cap

With...

