

# INSTALLATION MANUAL

# Valor® H5 Series



## 1100MNGK / 1100MPGK Gas Conversion Kit For Valor 1100M fireplaces ONLY

This appliance is certified for use from 0–4500 feet. For altitudes above 4500 feet, see local codes.

### Kit Contents

- 1 Pilot injector
- 1 Main burner injector
- 1 Set of conversion labels
- 1 Minimum rate by-pass screw

### Tools Required

- Wrenches, to disconnect gas line
- Phillips (+) screwdriver
- Small (jewelers size) flat blade screwdriver, to set pressure
- Small flat blade screwdriver, to release pressure tap on valve
- Needle nose pliers, to remove bypass screw
- Allen key, 5/32", to change bypass screw
- Wrench, 7/16", to remove pilot hood and injector
- Socket wrench, 7/16", with extension to change main burner injector
- Manometer, to set pressure

### Specifications

| Model                             | 1100MN       | 1100MP  |
|-----------------------------------|--------------|---------|
| Gas                               | Natural      | Propane |
| Altitude (Ft.)*                   | 0-4,500 feet |         |
| Input Maximum (Btu/h)             | 30,000       | 30,000  |
| Input Minimum (Btu/h)             | 16,000       | 16,000  |
| Manifold Pressure (in w.c.)       | 3.5"         | 9"      |
| Minimum Supply Pressure (in w.c.) | 5"           | 11"     |
| Maximum Supply Pressure (in w.c.) | 10"          | 14"     |
| Main Burner Injector Marking      | 36 DMS       | 51 DMS  |
| PSE Pilot Injector Marking        | BL22N        | BL14LP  |
| Min. Rate By-Pass Screw           | 185          | 125     |

### **WARNING**

**This conversion kit shall be installed by a qualified service agency in accordance with the manufacturer's instructions and all applicable codes and requirements of the authority having jurisdiction. If the information in these instructions is not followed exactly, a fire, explosion or production of carbon monoxide may result causing property damage, personal injury or loss of life. The qualified service agency is responsible for the proper installation of this kit. The installation is not proper and complete until the operation of the converted appliance is checked as specified in the manufacturer's instructions supplied with the kit.**

**Use this manual in conjunction with the installation manual supplied with the appliance.**

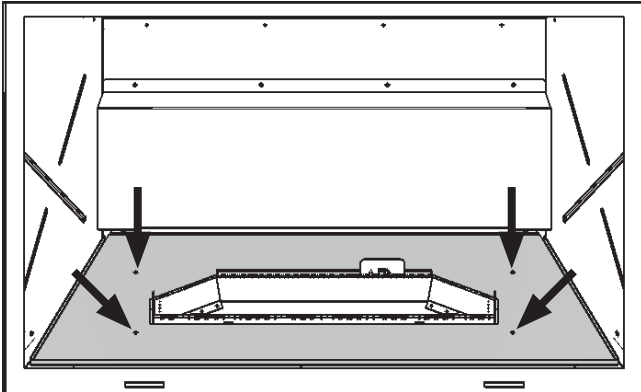
### General Notes Regarding Conversion

The conversion may be done before or after the appliance is installed into the cavity. However, the gas must be connected to set the manifold pressure.

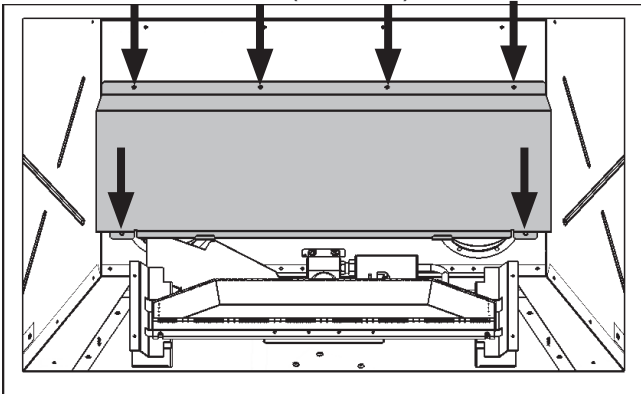
## Prepare the appliance

See your Installation Manual for help with these steps.

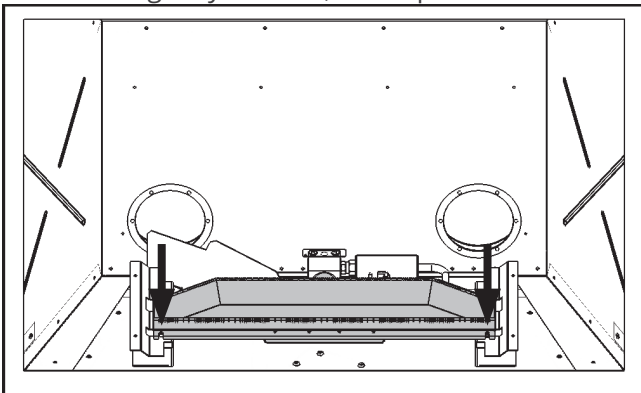
1. If the fireplace is already installed, remove the access side doors, the front trim, the window, fuel bed and liner panels. **Be careful with the fuel bed and liner panels as they are fragile.**
2. Locate shut off valve and isolate. Disconnect the fuel line from the valve after it is shut off.
3. Remove the cover panel surrounding the burner (4 screws).



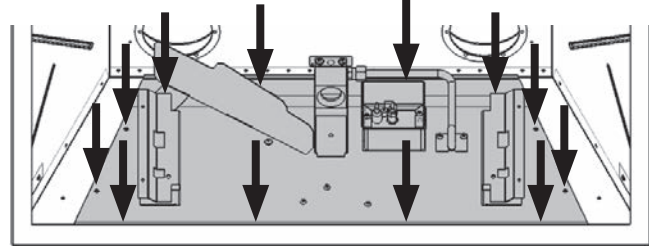
4. Remove the rear baffle (6 screws)



5. Remove the burner by undoing 2 screws and pulling the burner gently forward, then up.



6. Remove the burner module by undoing 12 screws (including those holding down the air deflector). Remove the air deflector, and then the module by lifting forward and then up. **Be careful not to hook the aeration block above, or the control valve below, as you pull the burner module up. Disconnect connections to the receiver to allow the burner module to come free of the fireplace.**

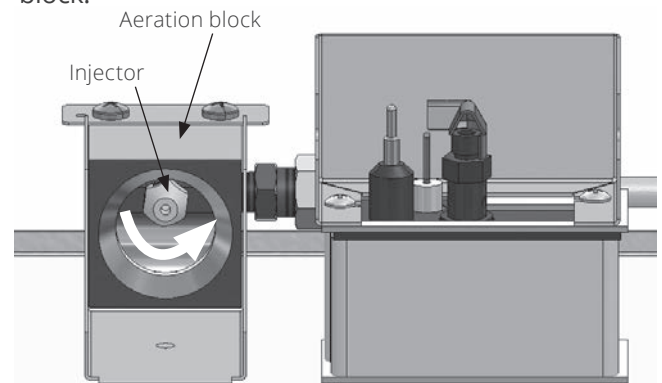


## WARNING

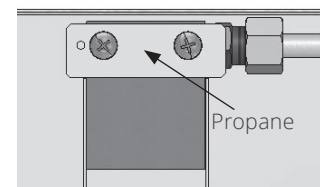
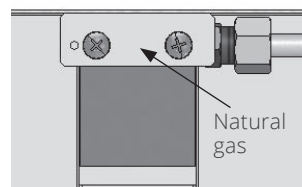
The connections and pipes on the underside of the burner module are very fragile. Damage to these pipes may require replacement of the entire pilot assembly. Be careful with these pipes as you continue through these instructions.

## Replace the burner injector

1. Using a 7/16" socket wrench with extension, unscrew the old burner injector within the aeration block.

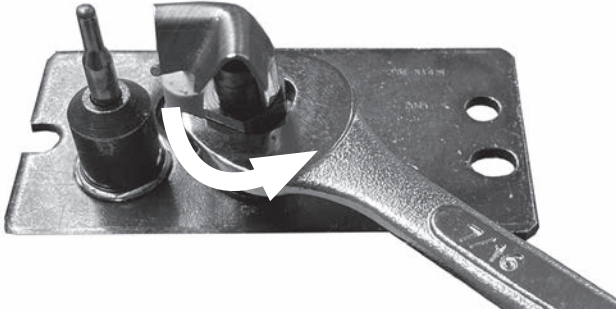


2. Dispose of old burner injector.
3. Replace with new burner injector (see Specifications table on page 1). Tighten in place with socket wrench.
4. Unscrew and flip the air shutter stopper over. Position required for each fuel is illustrated below. Reattach using original screws.

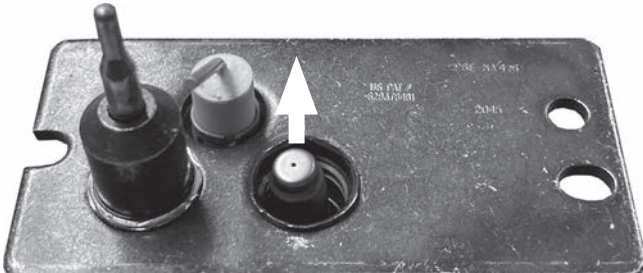


## Convert the pilot injector

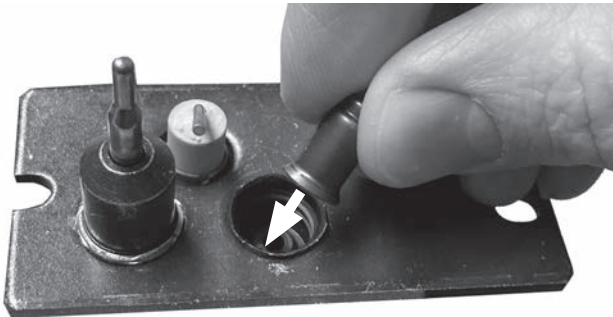
1. Remove the pilot hood using a 7/16" wrench.



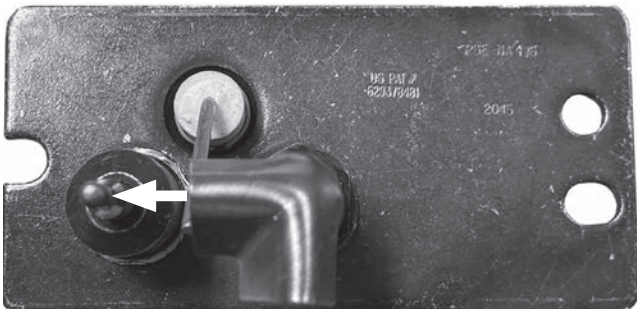
2. Remove the old pilot injector with needle nose pliers, or turn the pilot over and the old pilot injector will fall out. Discard the old pilot injector.



3. Replace with the appropriate pilot injector—see *Specifications* table on page 1. Drop in the new injector, flared side down.

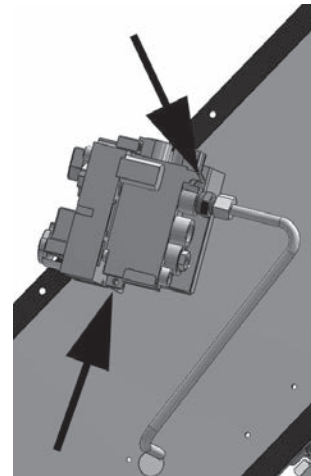


4. Refit the pilot head by threading it back into its fitting, and tighten with a 7/16" wrench until the hood points directly at the thermocouple.

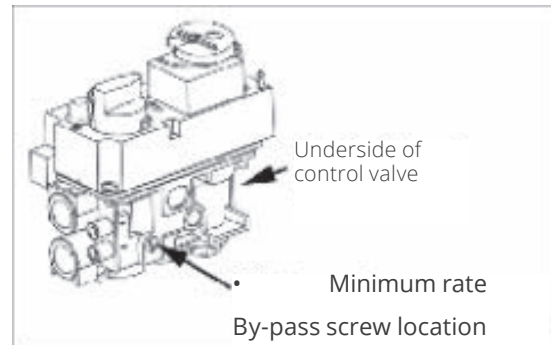


## Replace the minimum rate by-pass screw

1. Turn module assembly upside down, unlock and remove pipe assembly.



2. Remove two screws retaining the valve to mounting bracket, being careful not to disturb other connections.
3. Locate and remove the by-pass screw using the 5/32" Allen key from the valve and discard. The by-pass screw has a rubber O-ring and may need to be pulled out using pliers after unscrewing.



4. Insert the replacement minimum rate by-pass screw and hand tighten using the 5/32" Allen key. Refer to the *Specifications* table on page 1 for proper by-pass screw. Note that the number is stamped on the barrel of the screw.
5. Replace the control valve onto its mounting bracket, and re-attach. Reconnect any connections removed from the control valve.

## Re-assemble module

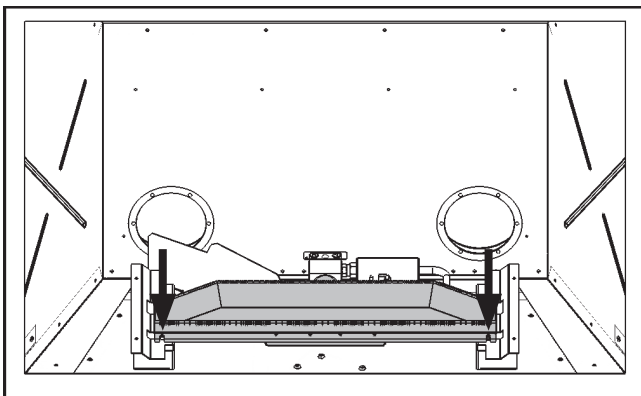
To reinstall, reverse the previous procedures.

1. Position and locate module in the firebox inserting the valve first. **Be careful not to trap cables between firebox frame and module.**
2. Reconnect any connections previously undone to the receiver.
3. Secure module and air deflector to firebox with previously used screws (12).
4. **Reconnect gas inlet to valve using sealant and tightening pipe connection. Open shut off valve and inspect**
5. Test for leaks by applying a liquid detergent or soap solution to inlet connection joint. Bubbles forming indicate a gas leak.

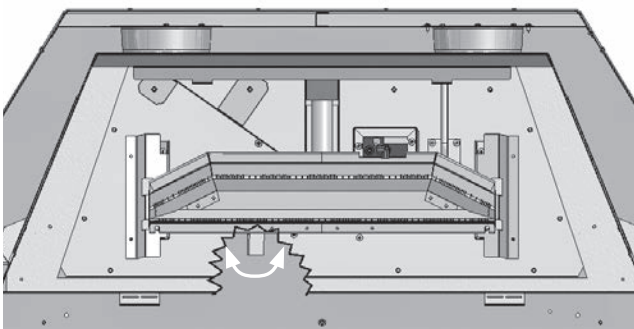
### **WARNING**

**NEVER use an open flame to check for leaks! Correct any leak detected immediately.**

6. Reinstall burner to burner module. Gently insert burner tube into aeration block, and drop onto brackets on burner module. Screw in 2 screws.

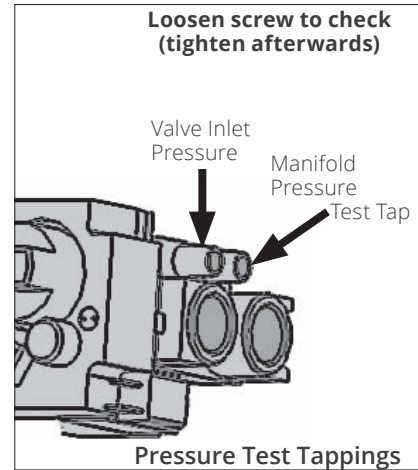


7. Check that the aeration lever moves properly. The air shutter should move with the lever (cutout shown below for clarity of the lever's location).

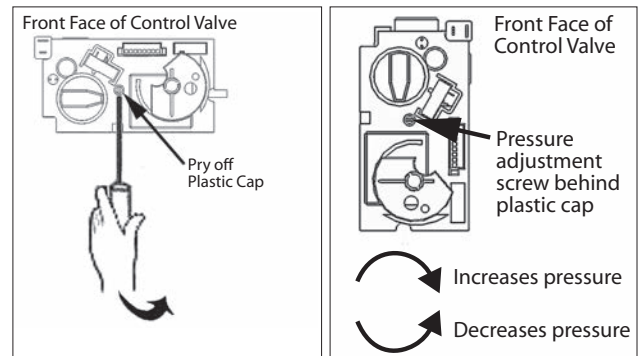


## Set the manifold pressure

1. Fit a manometer to the manifold pressure test tap on the valve—see figure below.



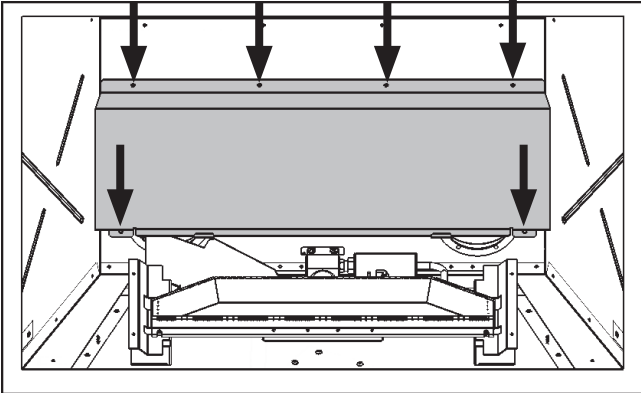
2. Light the appliance and turn the control to full input.
3. Adjust the pressure adjustment screw using a small jeweller's size flat blade screwdriver—as shown below—while the appliance is running at full input to produce manifold pressure, as per *Specifications* table on page 1.



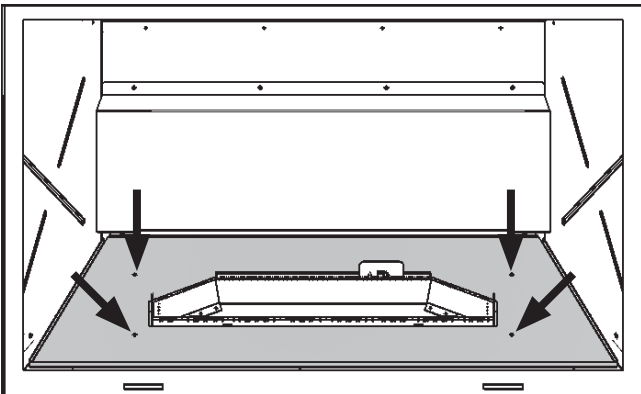
4. Turn off the appliance, remove the manometer and tighten the test tapping screw.
5. Check all connections for leaks.

## Continue re-assembly

1. Reinstall the rear baffle (6 screws).



2. Reinstall the burner cover (4 screws).



## Reinstall the liners and fuel bed

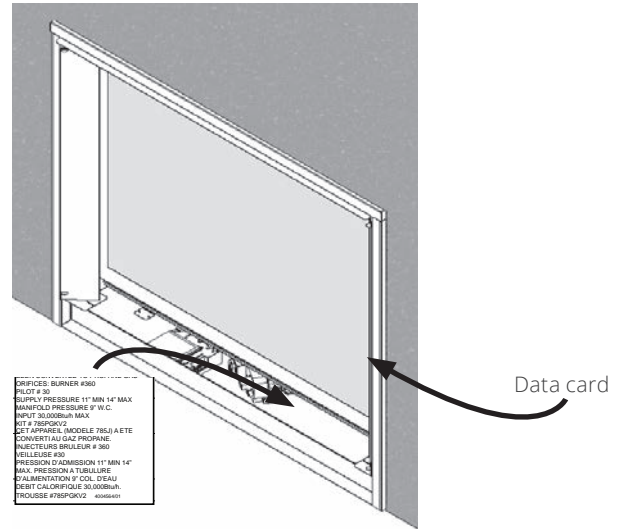
To reinstall the liners and fuel bed to the installation of the fireplace, see the installation instructions supplied with the appliance.

## Perform aeration adjustment

Once the fuel bed is in place, securely replace the front window and adjust the aeration lever as necessary. See the Installation Manual for details.

## Fit the specifications label

1. Complete the required details of label "This appliance was converted on... by..." position along with the label "This control has been converted...".
2. Fit the labels to the bottom floor of the appliance as close as possible to the data card and the valve as indicated below.



3. Replace any remaining doors, covers, and trim.

Because our policy is one of constant development and improvement, details may vary slightly from those given in this publication.

Designed and Manufactured by / for Miles Industries Ltd.

190 – 2255 Dollarton Highway, North Vancouver, B.C., CANADA V7H 3B1

Tel. 604-984-3496 Fax 604-984-0246

www.valorfireplaces.com