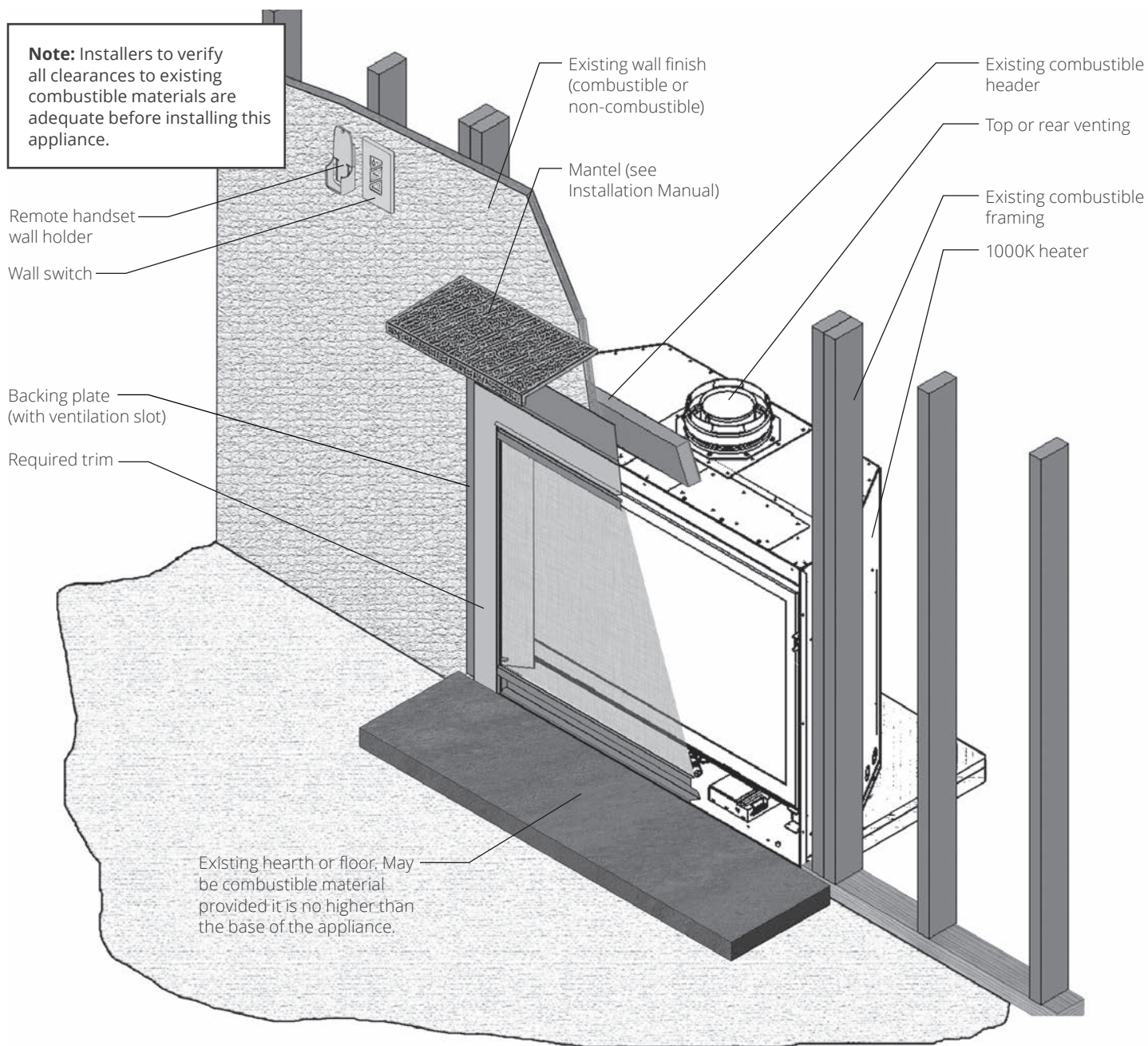


valor® H3 1000K

June 2020

1/2

Retrofit Applications - Concept

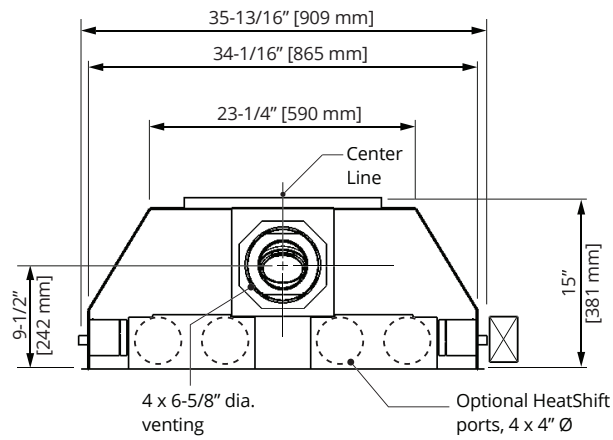


The Reduced Clearance versions of the H3 backing plates are specifically designed for retrofit applications where an existing fireplace is being removed, and the existing wall finish and cavity remain. These backing plates incorporate a ventilation slot that allows for a lower combustible header height of 33", and combustible wall finishes from 31" of the base of the appliance. **Reduced Clearance backing plates DO NOT ADJUST for additional finishes applied later.**

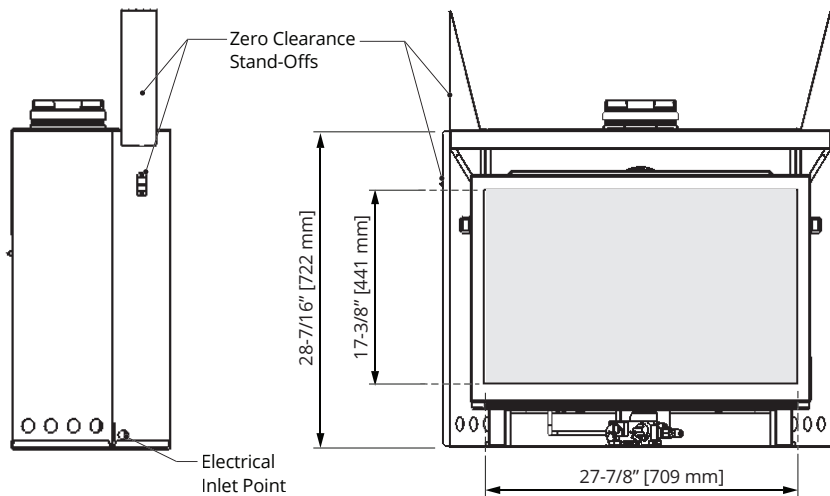
valor® H3 1000K

Retrofit Applications - Dimensions

June 2020
2/2

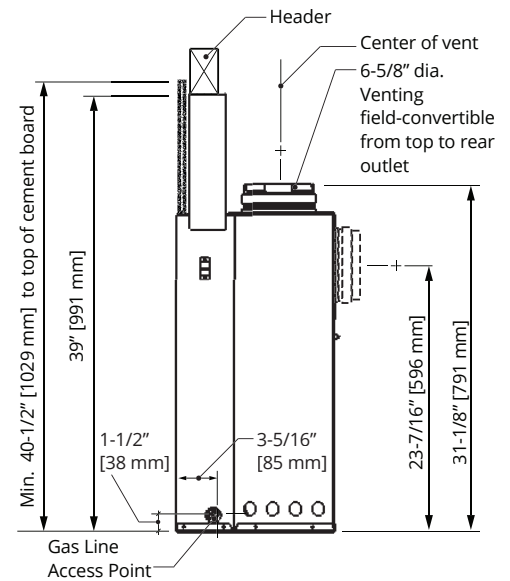


Top View



Left Side View

Front View



Right Side View