



VENTANA



Direct Vent ZC Fireplace 1200EAN (NG) & 1200EAP (LPG) Installation & Owner's Manual

DANGER



**HOT GLASS WILL
CAUSE BURNS.**

**DO NOT TOUCH GLASS
UNTIL COOLED.**

**NEVER ALLOW CHILDREN
TO TOUCH GLASS.**

A barrier designed to reduce the risk of burns from the hot viewing glass is provided with this appliance and shall be installed for the protection of children and other at-risk individuals.

INSTALLER
Leave this manual
with the appliance.

CONSUMER
Retain this manual
for future reference.

WARNING

FIRE OR EXPLOSION HAZARD

Failure to follow safety warnings exactly could result in serious injury, death, or property damage.

- Do not store or use gasoline or other flammable vapors and liquids in the vicinity of this or any other appliance.
- **WHAT TO DO IF YOU SMELL GAS**
 - Do not try to light any appliance.
 - Do not touch any electrical switch; do not use any phone in your building.
 - Leave the building immediately.
 - Immediately call your gas supplier from a neighbor's phone. Follow the gas supplier's instructions.
 - If you cannot reach your gas supplier, call the fire department.
- Installation and service must be performed by a qualified installer, service agency or the gas supplier.

Please read this manual BEFORE installing and operating this appliance.

This appliance may be installed in an after-market permanently located, manufactured (mobile) home where not prohibited by local codes.

This appliance is only for use with the type of gas indicated on the rating plate. This appliance is not convertible for use with other gases, unless a certified kit is used.

This appliance is a domestic room-heating appliance. It must not be used for any other purposes such as drying clothes, etc.

This appliance is suitable for installation in a bedroom or bed sitting room.

Massachusetts: The piping and final gas connection must be performed by a licensed plumber or gas fitter in the State of Massachusetts. Also, see Carbon Monoxide Detector requirements on page 18.

Ce guide est disponible en français sur demande.

Table of Contents

FOR THE OWNER

Safety Precautions	3
Safety and Your Fireplace	4
Owner's Information	5
Operating Your Fireplace for the First Time.....	5
Cleaning Your Fireplace	6
Checking Pilot and Burner Flames	8
Replacing Light Bulb.....	8
Using Handset Wall Holder.....	8
Replacing Batteries	8
Locating Lighting, Operation and Rating Information Card.....	9
Servicing Your Fireplace.....	9
Operating Your Fireplace.....	10
How to Turn Your Fireplace OFF (including pilot)....	10
How to Ensure Your Fireplace Cannot Be Turned ON Inadvertently	10
Remote Control Operation	11
Options	16
Lighting Instructions	17
Warranty	50

FOR THE QUALIFIED INSTALLER

Commonwealth of Massachusetts	18
Specifications	20
Overview	21
Dimensions	22
Location	22
Mantel Clearances	23
Hearth Requirements	25
Framing	28
Venting	29
Co-axial Venting	30
Co-Linear Venting	34
Installation Planning	35
Installation	36
Unpack the appliance	36
Fix the appliance to the floor	37
Remove Window	38
Connect Gas Supply.....	38
Install Liners	40
Install Ceramic Logs	41
Refit and Check Window	43
Synchronize Remote Control.....	43
Install Electrical Components for Decorative Lighting.....	44
Check Operation.....	45
Adjust Aeration (if necessary, NG units only)	45
Install Window Skirt and Side Doors	45
Install Barrier Screen to the Appliance	46
Install Handset Wall Holder	46
Wiring Diagram	47
Approved Venting Components	48
Warranty	50
Spare Parts	51


The information contained in this installation manual is believed to be correct at the time of printing. Miles Industries Ltd. reserves the right to change or modify any information or specifications without notice. Miles Industries Ltd. grants no warranty, implied or stated, for the installation or maintenance of your heater, and assumes no responsibility for any consequential damage(s).



NATIONAL FIREPLACE INSTITUTE
NFI
CERTIFIED
www.nficertified.org

We recommend that our gas hearth products be installed and serviced by professionals who are certified in the U.S. by the National Fireplace Institute® (NFI) as NFI Gas Specialists.

Warranty Card at the back of this manual.



Designed and Manufactured by / for
Miles Industries Ltd.
190-2255 Dollarton Highway, North Vancouver, BC, CANADA V7H 3B1
Tel. 604-984-3496 Fax 604-984-0246
www.valorfireplaces.com



Safety Precautions

READ and **UNDERSTAND** all instructions carefully before starting the installation. **FAILURE TO FOLLOW** these installation instructions may result in possible fire hazard and will void the warranty.

Prior to the first firing of the fireplace, **READ** the Owner's Information section of this manual.

DO NOT USE this appliance if any part has been under water. Immediately, **CALL** a qualified service technician to inspect the unit and to replace any part of the control system and any gas control that has been under water.

THIS UNIT IS NOT FOR USE WITH SOLID FUEL.

Installation and repair should be **PERFORMED** by a qualified service person. The appliance and venting system should be **INSPECTED** before initial use and at least annually by a professional service person. More frequent cleaning may be required due to excessive lint from carpeting, bedding, etc. It is **IMPERATIVE** that the unit's control compartment, burner, and circulating air passageways **BE KEPT CLEAN** to provide for adequate combustion and ventilation air.

Always **KEEP** the appliance clear and free from combustible materials, gasoline, and other flammable vapors and liquids.

NEVER OBSTRUCT the flow of combustion and ventilation air. Keep the front of the appliance **CLEAR** of all obstacles and materials for servicing and proper operation.

This unit **MUST** be used with a vent system as described in this installation manual. **NO OTHER** vent system or components **MAY BE USED**.

This gas fireplace and vent assembly **MUST** be vented directly to the outside and **MUST NEVER** be attached to a chimney serving a separate solid fuel burning appliance. Each gas appliance **MUST USE** a separate vent system. Common vent systems are **PROHIBITED**.

INSPECT the external vent cap on a regular basis to make sure that no debris, plants, trees, shrubs are interfering with the air flow.

TURN OFF the gas before servicing this appliance. It is recommended that a qualified service technician perform an appliance check-up at the beginning of each heating season.

DO NOT use this heater as a temporary source of heat during construction.

State of California. Proposition 65 Warning. Fuels used in gas, wood-burning or oil fired appliances, and the products of combustion of such fuels, contain chemicals known to the State of California to cause cancer, birth defects and other reproductive harm. California Health & Safety Code Sec. 25249.6.

Due to the high temperature, the appliance should be **LOCATED** out of traffic areas and away from furniture and draperies.

Clothing or flammable material **SHOULD NOT BE PLACED** on or near the appliance.

This appliance is a **DOMESTIC ROOM-HEATING APPLIANCE**. It must not be used for any other purposes such as drying clothes, etc.

DO NOT place furniture or any other combustible household objects within 36" of the fireplace front.

BE CAREFUL not to put any decorating objects sensitive to heat to close above or around the fireplace as it gets very hot when operating.

The glass door assembly **MUST** be in place and sealed before the unit can be placed into safe operation.

DO NOT OPERATE this appliance with the glass door removed, cracked, or broken. Replacement of the glass door should be performed by a licensed or qualified service person. **DO NOT** strike or slam the glass door.

The glass door assembly **SHALL ONLY** be replaced as a complete unit, as supplied by the fireplace manufacturer. **NO SUBSTITUTE** material may be used.

DO NOT USE abrasive cleaners on the glass door assembly. **DO NOT ATTEMPT** to clean the glass door when it is hot.

A BARRIER DESIGNED TO REDUCE THE RISK OF BURNS from the hot viewing glass is provided with this appliance and **SHALL BE INSTALLED** for the **PROTECTION OF CHILDREN** and other **AT-RISK INDIVIDUALS**.

If the barrier becomes damaged, the barrier **SHALL BE REPLACED** with the **MANUFACTURER'S BARRIER** for this appliance.

Any safety screen, guard or barrier removed for servicing the appliance, **MUST BE REPLACED** prior to operating the appliance.

Children and adults should be **ALERTED** to the hazards of high surface temperature and should **STAY AWAY** to avoid burns or clothing ignition.

YOUNG CHILDREN should be **CAREFULLY SUPERVISED** when they are in the same room as the appliance. Toddlers, young children and others may be susceptible to **ACCIDENTAL CONTACT BURNS**. A physical barrier is recommended if there are at-risk individuals in the house. To restrict access to a fireplace or stove, **INSTALL AN ADJUSTABLE SAFETY GATE** to keep toddlers, young children and other at-risk individuals out of the room and away from hot surfaces.

Safety and Your Fireplace

Please Read and Carefully Follow all Safety Warnings and Operating Instructions Contained in Your Owner's Manual

(Replacement Manuals are available by contacting our service department at 1-800-468-2567 or visit www.valorfireplaces.com).

Please Follow These Important Child Safety Precautions and Recommendations,

- Parts of your Valor Fireplace become **extremely hot** while in operation.
- The glass viewing **window temperature can exceed 500 F** at full capacity. Momentary contact with a hot glass surface can **cause a severe burn**, even if the fireplace is operating at reduced heating capacity.
- **The glass window will remain hot** for an extended period of time after the fireplace has been turned off. Ensure that children are prevented from touching the fireplace during the cool down period.
- **Toddlers and Young Children must be closely supervised at all times** when they are in the same room as the operating fireplace. They lack full awareness of danger and rely on your protection. Toddlers, in particular, do not have the motor skills and response reflexes to



withdraw in the event of accidental contact with a hot surface.

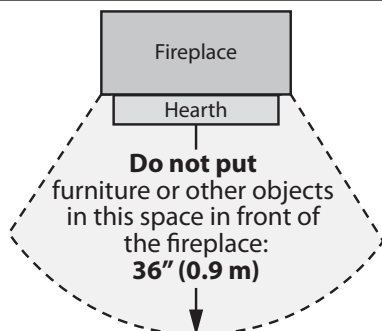
- **A physical barrier is strongly recommended** if there are young children, or at-risk individuals in the house. Install an approved after-market safety gate to keep toddlers, young children and other at-risk individuals a safe distance from the fireplace.
- **Keep the remote control handset out of reach of children at all times.** A wall mount storage holster is provided with your remote control handset.
- **Ensure that the fireplace, including the pilot light, is completely turned off** when children are present and close supervision and safety barriers are not available—see page 10 of *Owner's Information* section.
- If the fireplace is not going to be used for the summer or any extended period of time, **remove the batteries from the remote control handset and receiver.** It is recommended that batteries are replaced annually in any event—see pages 8–9.

⚠ WARNING

EXTREMELY HOT!!!

- **READ the SAFETY information on pages 3 and 4 of this manual BEFORE operating your gas heater.**
- Some parts of your fireplace are **EXTREMELY HOT**, particularly the **GLASS** window.
- **DO NOT LET CHILDREN** touch the glass or any parts of your fireplace **even after it is turned off** as it is still hot.
- **USE THE BARRIER SCREEN** provided with the trim or a **GATE** to reduce the risk of severe burns.
- Keep the remote control handset **OUT OF REACH** of children.
- **HOT WALL SURFACES!** The wall directly above the fireplace is **VERY HOT** when the fireplace heats. It is constructed of non-combustible materials and although safe, it may reach temperatures **in excess of 200° F** depending on choice of trims. **DO NOT TOUCH IT!**
- **HOT HEARTH/FLOOR SURFACE!** The hearth or floor directly in front of the fireplace is **VERY HOT** when the fireplace heats. Even if constructed of non-combustible materials, and although safe, it may reach temperatures **in excess of 200° F** depending on choice of materials. **DO NOT STEP ON IT!**
- Some materials or items, although safe, may discolor, shrink, warp, crack, peel, and so on because of the heat produced by the fireplace. **AVOID PLACING** candles, paintings, photos, and other items **SENSITIVE TO HEAT** within 36 inches (0.9 m) around the fireplace.
- Solid wood flooring in front of the fireplace (if allowed) may shrink during the heating season due to heat.

Performance of LPG appliances may be affected by the quality of commercial gas supplied in your area.



Thank You ...

For purchasing a Valor by Miles Industries. Your new radiant gas heater is a technical appliance that must be installed by a qualified dealer. Each Valor fireplace is fully tested during the production process for your safety and comfort. Your unit has been professionally installed by:

Dealer Name: _____

Phone Number : _____

Should you encounter an operational problem, call your dealer immediately.

Do not try to repair the unit as you may cause an injury or damage the fireplace.

This manual and particularly the preceding and following pages contain very important information regarding the safe operation of your fireplace as well as maintenance instructions.

Read carefully BEFORE operating your fireplace and pay special attention to the SAFETY WARNINGS.

A heating gas appliance does require safe handling and for this reason, we very strongly recommend that no children be allowed to touch the fireplace and its controls at all times. **Do install a screen or barrier in front of the fireplace to protect your children against severe burns.**

This appliance is designed and approved as a supplemental heater and provides the potential for most energy conservation when used while attended. The use of an alternate primary heat source is advisable.

Operating Your Fireplace for the First Time

When operating your new fireplace for the first time, some vapors may be released due to the burning of curing compounds used in the manufacture of the appliance. They may cause a slight odor and could cause the flames to be the full height of the firebox, or even slightly higher, for the first few hours of operation. It is also possible that these vapors could set off any smoke detection alarms in the immediate vicinity. These vapors are quite normal on new appliances. We recommend opening a window to vent the room. After a few hours use, the vapors will have disappeared and the flames will be at their normal height.

Flame Supervision Device

For your safety, this appliance is fitted with a flame supervision device which will shut-off the gas supply if, for any reason, the pilot flame goes out. This device incorporates a fixed probe, which senses the heat from the pilot flame. If the probe is cool, the device will prevent any gas flow unless manually lighting the pilot. See full lighting instructions on page 17 of this manual.

Cleaning Your Fireplace

⚠ WARNING

DO NOT TOUCH THE GLASS WHILE IT IS HOT!
Let the fireplace cool first before cleaning it.

Important - Glass cleaning - Mineral deposits

One of the by-products of the combustion process in a gas appliance is a mineral which can show up as a white film on the ceramic glass of the viewing door.

The composition of the deposit varies widely from various locations and also from time to time in the same location. It seems this is associated with the varying sulfur content of the gas. You may have the problem for a time and then not see it for many months when it will reappear in your area.

We have discussed this problem with ceramic glass manufacturers and they cannot give us a definitive answer to this problem. Dealers have tried various cleaning products with varying results. The following recommendations will not guarantee results in your particular case.

NOTE: This is a problem beyond Miles Industries' control and is not covered under warranty.

- Clean the glass regularly as soon as you notice the buildup (white film). If the film is left for a longer period of time, it will bake on. It is then much harder, if not impossible, to remove.
- NEVER use an abrasive or ammonia-based cleaner on the ceramic glass. Any abrasion of the surface has the immediate effect of compromising the strength of the glass. An emulsion type cleaner is recommended.
- Use a soft damp cloth to apply the cleaner. Dry the glass with a soft, dry, preferably cotton cloth. Most paper towels and synthetic materials are abrasive to ceramic glass and should be avoided.
- Our dealers have had good results from the products listed below. We cannot, however, guarantee the results of these products.
 - BRASSO, POLISHPLUS by KELKEM, COOKTOPCLEANCREME by ELCO, WHITE OFF by RUTLAND, TURTLE WAX

Do not clean the glass while it is hot!

Always securely replace the window and the barrier screen before lighting.

If broken, the glass pane may only be replaced as a complete window unit as supplied by the manufacturer.

If the barrier becomes damaged, the barrier shall be replaced with the manufacturer's barrier for this appliance.

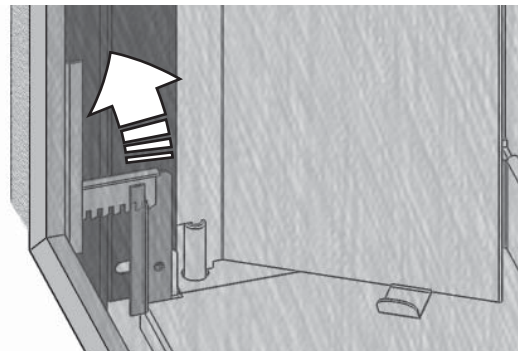
To have access to the window for cleaning, you must first remove the barrier screen.

⚠ WARNING

DO NOT TOUCH THE BARRIER SCREEN OR FIREPLACE WHILE THEY ARE HOT! Let the fireplace cool first before cleaning it.

To clean the barrier screen:

1. Push the screen upwards so that the lower serrated tabs unhook from their brackets.

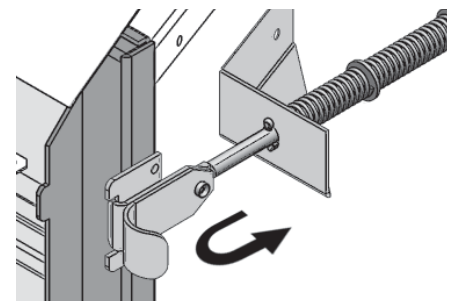


2. Unhook the top serrated tabs.
3. Clean the screen with a soft brush.

To clean the window and inside the firebox:

1. Find the levers on each side of the window towards the top. Using your finger, pull the lever towards you and unhook it from the window frame bracket.

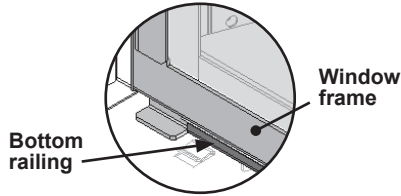
Spring Loaded Window Levers



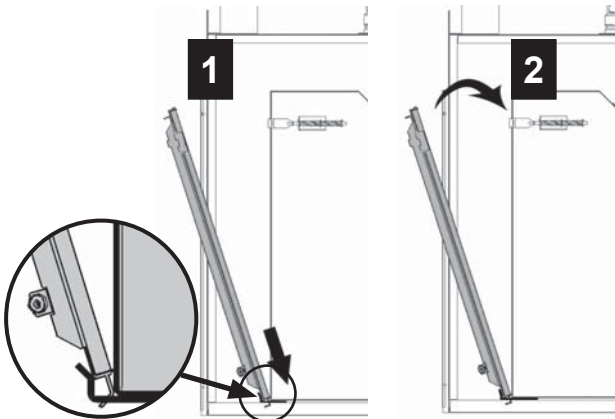
2. Gently pull the top of the window outward.
3. Lift the window out of its bottom railing and set it aside in a safe place to avoid damage.
4. Clean the window using the guidelines in this section.
5. Dust the inside of the firebox including the ceramic logs and walls with a soft brush. **When cleaning, make sure that no particles are brushed into the slots of the burner.**

To refit the window:

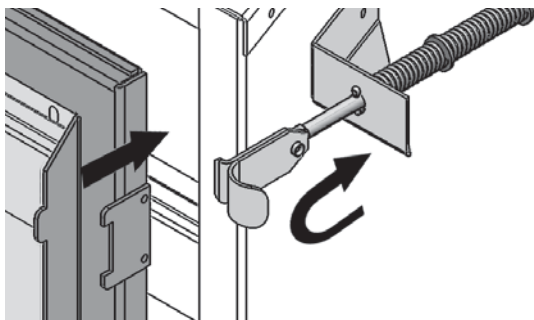
1. Place the window in its bottom railing. **Ensure to remove any particles in the railing before installing the window.**



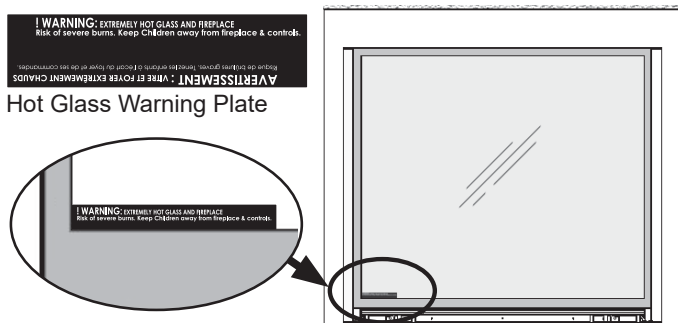
2. Push the top of the window frame against the firebox.



3. While you hold it, pull and hook the side levers back to the window brackets on each side.



4. Apply firm hand pressure around the window frame to ensure the window is sealed tight against the firebox.
5. **If the Hot Glass Warning plate has been removed from the front lower corner of the window, reinstall it by sliding it between the glass and the frame as indicated.**



! DANGER

The window unit must be correctly installed, fastened and sealed after servicing or serious bodily injury and/or damage to the appliance may result.

To ensure a safe operation:

- Double-check that the bottom of the window frame is correctly installed in the bottom support railing;
- Verify that the levers are hooked properly to the window tabs then;
- Pull out the top of the window and release it to insure the springs return it;
- Ensure the window is sealed before operation.

! WARNING

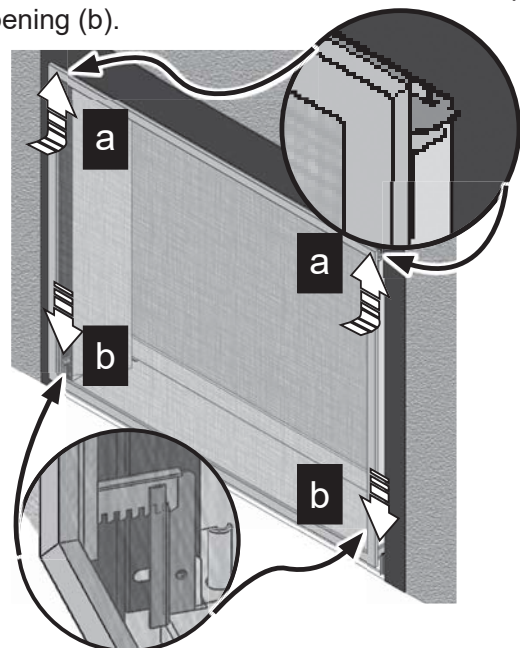
Failure to install the window correctly can leak carbon monoxide, affect the performance of the fireplace, damage components, cause overheating resulting in dangerous conditions. Damage caused by incorrect window installation is not covered by the Valor warranty.

To reinstall the barrier screen:

! WARNING

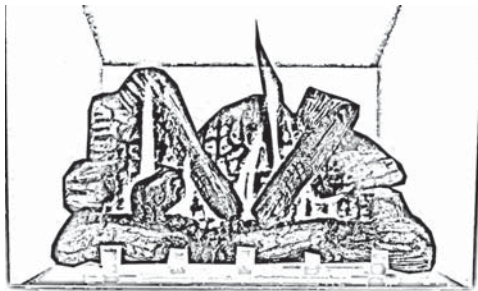
FOR SAFETY PURPOSE, ensure the barrier screen is re-installed on the fireplace front after maintenance.

1. Hook the top tabs in the slots of the convection baffle (a).
2. Push the screen up and hook the bottom serrated tabs to the brackets at the bottom of the fireplace opening (b).



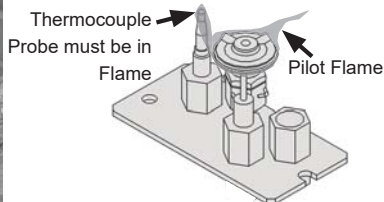
Checking Pilot and Burner Flames

A periodic check of the pilot and burner flames should be made. Check after the fire has been on for at least 30 minutes. The pilot flame must cover the tip of the thermocouple probe. The main burner flame pattern will vary from appliance to appliance depending on the type of installation and climatic conditions.



Correct Flame Picture

Pilot Flame can be seen between logs



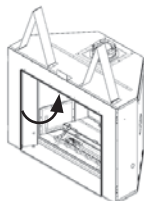
The appliance area must always be kept clear and free from combustible materials, gasoline and other flammable vapors and liquids.

Inspect the vent terminal outdoors regularly to make sure that snow, trees, bushes, leaves, or other objects do not obstruct it.

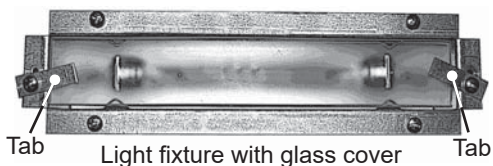
Examine the vent system and terminal regularly. We recommend annually.

Replacing Light Bulb

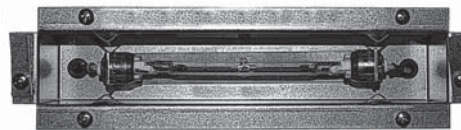
The appliance is equipped with a decorative light inside the firebox located in front of the window. To replace the light bulb, follow these steps:



1. Turn off the decorative light wall switch.
2. Locate the light fixture. Loosen the screws of the glass cover retaining tabs.



3. While holding the glass cover so it does not fall and shatter, swivel one or both of its retaining tabs to free the glass. Gently remove the glass cover.



Light fixture without glass cover

4. Remove the light bulb from its socket by pushing towards one end.
5. With a gloved hand, replace with a new light bulb using only a **100 watts halogen 130 volts (type J T3, 119 mm long)**.



100W Halogen Light Bulb (119mm)

6. Test the bulb by turning the wall switch on. Turn the switch off again to complete the operation. **NOTE:** If the bulb is new and not functioning, turn off the dimmer switch and call your local electrician for inspection.
7. Put the glass cover back in place and, while holding it, turn the retaining tab(s) to retain the glass.
8. Tighten the tabs' screws.

Using Handset Wall Holder

Your fireplace equipment includes a wall holder to store the handset. If it hasn't be installed, refer to the instructions further on in this manual for the installation.



Replacing Batteries

⚠ WARNING

DO NOT ATTEMPT TO CHANGE THE BATTERIES WHILE THE FIREPLACE IS STILL HOT! Let the fireplace cool first before touching it.

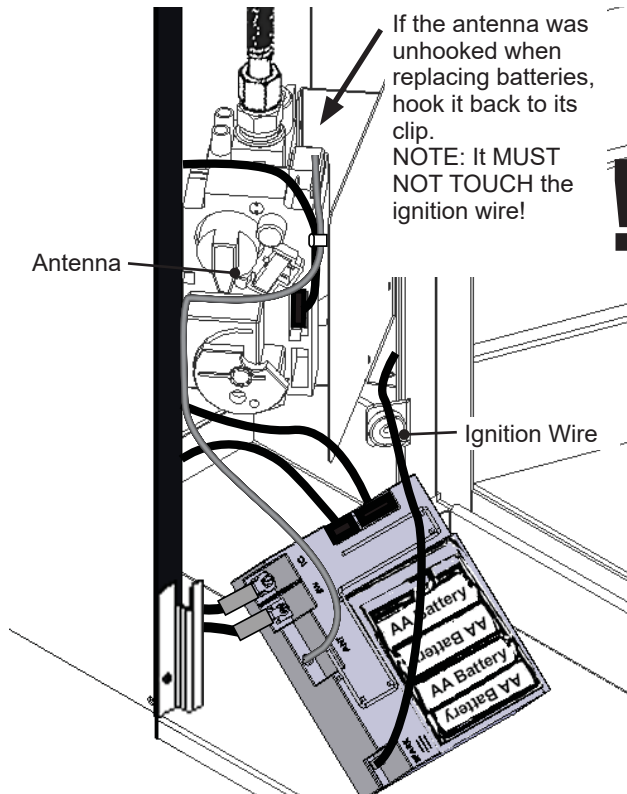
CAUTION

DO NOT USE a screwdriver or other metallic object to remove the batteries from the receiver or the handset! This could cause a short circuit to the receiver.

Low battery signal: see page 15.

BEFORE changing the batteries, turn off the valve using the manual On/Off switch—see instructions next pages.

The appliance uses four 1.5 V AA **alkaline** batteries for its remote control receiver and one 9 V **alkaline** battery for its handset. Batteries should last one to two seasons, depending on usage. Removing the batteries in the off-season will extend the battery life. Should the batteries lose power, the control may be operated by manually turning the control knob at the valve or by turning off the valve at the switch.



CAUTION

To avoid short-circuit to the receiver, position the **antenna** so that it **DOES NOT TOUCH** the **ignition wire**.

To replace the batteries in the remote control receiver:

1. Open the side panel to the left of the window.
2. The receiver is located under the valve and it is retained to its platform by a *Velcro* tab. Grab the receiver and pull it out from its platform.
3. Slide and remove the receiver cover.
4. Replace the batteries with 4 AA **alkaline** batteries.
5. Replace the cover.
6. Put the receiver back on its platform pushing it in so it attaches to the *Velcro* tab. If it was unhooked, replace the antenna in its clip.

IMPORTANT: The antenna MUST NOT TOUCH the ignition wire to avoid a short-circuit.

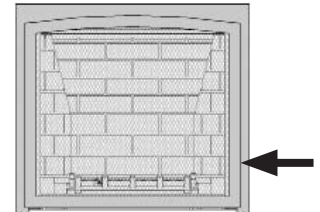
Locating Lighting, Operation and Rating Information Card

⚠ WARNING

DO NOT ATTEMPT TO TOUCH THE DATA CARD. WHILE THE FIREPLACE IS STILL HOT! Let the fireplace cool first before touching it.

The Lighting, Operation and Rating information is located on a card at the right hand side of the firebox behind the side door.

To access the card, open the right hand side door and grab the card and slide it out to read it. There is important information on both sides of the card.



The data card is located on the right of the firebox behind the side door.

Servicing Your Fireplace

If any attention is required for your appliance, contact your supplier quoting the model number. It will be helpful if the appliance serial number can also be quoted. This number is on the rating card, which is located on the right hand side of the firebox behind the side door. Open the side door and slide the card out. The replacement parts are shown at the end of this manual. Please always quote the part number and description when requesting spare parts.

Operating Your Fireplace

There are three ways to control your fireplace.

1. Thermostatic Remote Control;
2. Wall Switch;
3. Manual On/Off Switch.

The Thermostatic Remote Control can be programmed to function automatically—see pages 11–15.

The Wall Switch (optional) can be used to turn on, off and to increase or decrease the flame height—see 1265WSK—Wall Switch Kit.

NOTE: The remote control in the AUTO mode will override the wall switch.

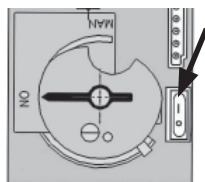
The manual On/Off switch must be ON for the fireplace to function. It can be used to shut off the fireplace in case of emergency—see next section.



Thermostatic Remote Control



Wall Switch (optional)



Manual On/Off Switch

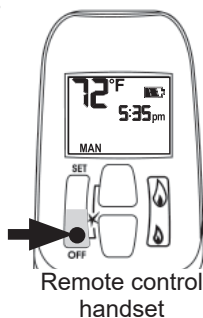
How to Turn Your Fireplace OFF (including pilot)

Familiarize yourself with each of these methods before operating your fireplace.

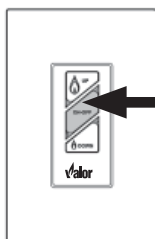
Press and hold the OFF button for a second (either on the handset or the wall switch).

If the flames are on, they go down and you hear the valve motor wind down. You hear a clunk and a beep indicating that the valve has received the signal from the remote control.

As well, familiarize yourself with the gas shut-off valve location in your house. As indicated below, the gas is running when the handle is parallel with the pipe. The gas is off when the handle is perpendicular with the pipe.



Remote control handset



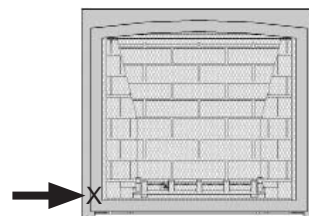
Wall Switch

How to Ensure Your Fireplace Cannot Be Turned ON Inadvertently

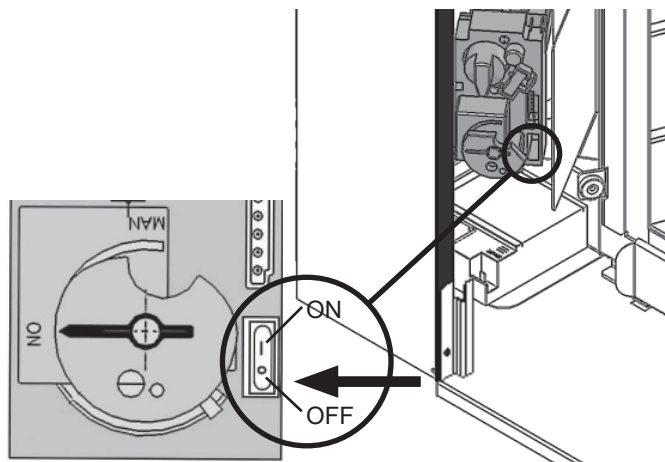
You can use one of the two following methods to ensure that your fireplace will not turn on when you don't want it on.

First, ensure your fireplace is turned off—including the pilot—and cold BEFORE going ahead.

- You can prevent your fireplace from lighting by pressing the **O** button on the manual ON/OFF switch on the gas valve.



The receiver and gas valve are located on the left of the firebox behind the side door.



Manual ON/OFF Switch

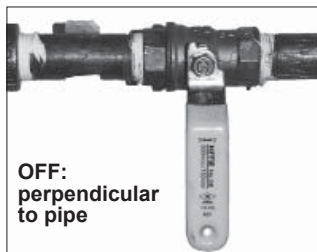
- Alternately, remove all batteries from the receiver as well as the battery from the handset.

Automatic Shut-Off (in certain conditions)

Your fireplace's remote control is equipped with an automatic shut-off mechanism which is activated in certain conditions. See page 15 in the *Remote Control Operation* section for a description of this feature.



ON: parallel to pipe

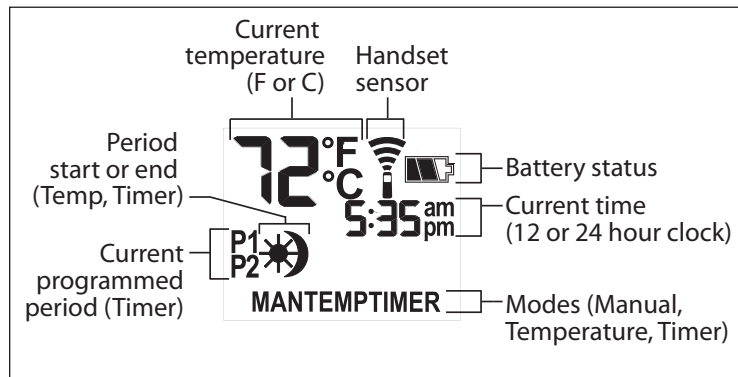


OFF: perpendicular to pipe

Remote Control Operation

NOTE: Before using the remote control system for the first time, the receiver and the handset must be synchronized. See the section *Remote Control Initial Set-up* on page 43 of this manual.

IMPORTANT: BEFORE YOU BEGIN, please note that on this system, the settings of time, temperature and automatic ON/OFF can only be programmed when the function display is flashing. Be patient when programming as it can take a few seconds to set.

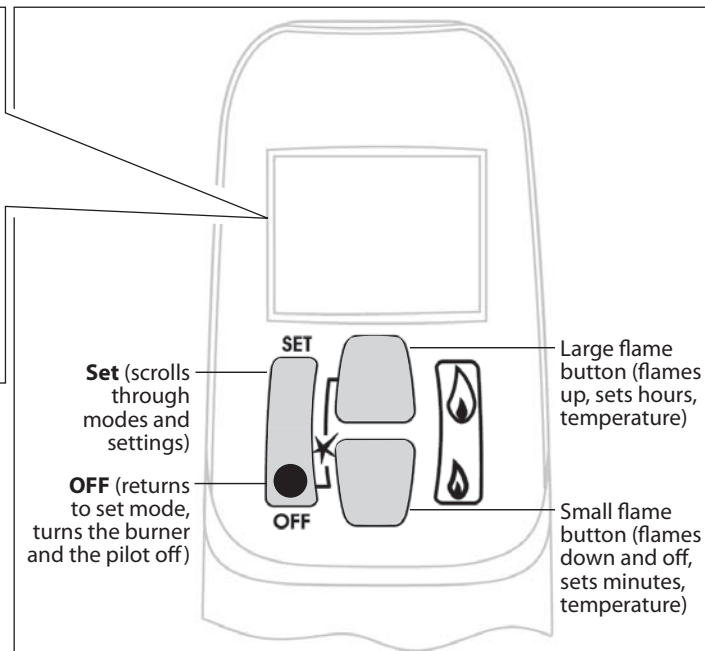


Display Overview

Note: In the TEMP or TIMER modes, the remote handset senses the room temperature and adjusts the flame accordingly.

To communicate, the handset should be within 15 feet (4.5 meters) of the fireplace.

Do not leave the handset on the mantel or hearth.



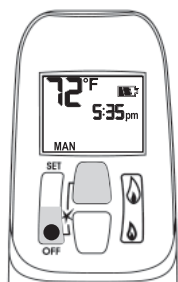
Handset Overview

TO TURN ON APPLIANCE

CAUTION

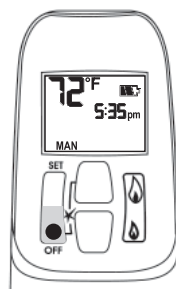
When pilot ignition is confirmed, motor turns automatically to maximum flame height.

- On the valve, turn MAN knob on the ON, full counterclockwise ↺ position.
- Place ON/OFF switch (if equipped) in I (ON position).



- Simultaneously press the OFF and 🔥 (large flame) buttons until a short beep confirms the start sequence has begun; release buttons.
- Continuing beeps confirm the ignition is in process.
- Once pilot ignition is confirmed, there is main gas flow.
- After main burner ignition the handset will automatically go into manual (MAN) mode.

TO TURN OFF APPLIANCE



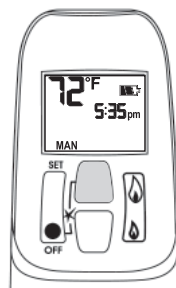
- Press OFF button.

When the pilot is off, it will take 2 minutes before it can be lit again.

STANDBY MODE (Pilot Flame)

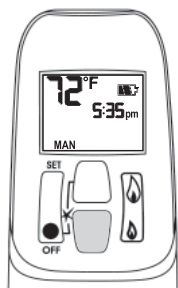
- Press and hold 🔥 (small flame) to set appliance at pilot flame.




FLAME HEIGHT ADJUSTMENT



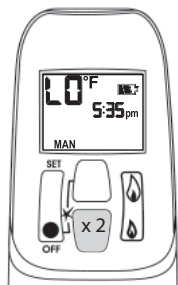
- In standby mode: Press and hold 🔥 (large flame) button to increase flame height.


Remote Control Operation

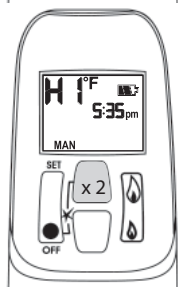



- Press and hold  (small flame) button to decrease flame height or to set the appliance at pilot flame.
- For fine adjustment tap the  (large flame) or  (small flame) buttons.

Express Low and High Fire

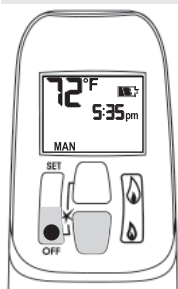



- Double-click  (small flame) button. "LO" will be displayed.
NOTE: Flame goes to high fire first before going to designated low fire.



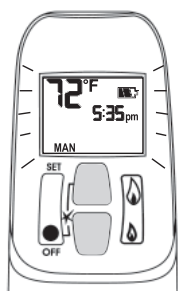
- Double-click  (large flame) button. Flame automatically goes to high fire. "HI" will be displayed.





SETTING °C/24-HOUR OR °F/12-HOUR CLOCK



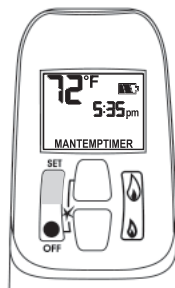
- In MAN mode, press OFF and  (small flame) buttons until display changes from Fahrenheit/12-hour clock to Celsius/24-hour clock and vice versa.

SETTING THE TIME

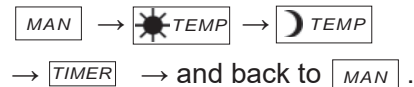




- The time display will flash after either:
 - Installing the battery or
 - Simultaneously pressing the  (large flame) and  (small flame) buttons.
- Press  (large flame) button to set the hour.
- Press  (small flame) button to set the minute.
- Press OFF or simply wait to return to MAN mode.

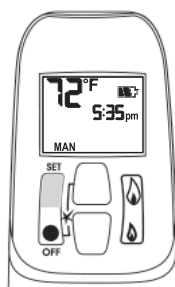
MODES OF OPERATION



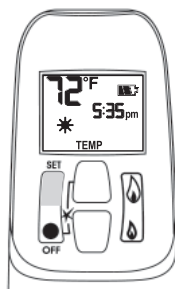
- Briefly pressing the SET button changes the mode of operation in the following order:



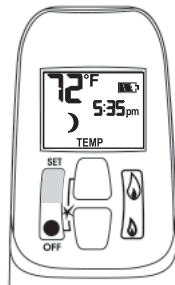
NOTE: Manual mode can also be reached by pressing either the  (large flame) or the  (small flame) buttons.



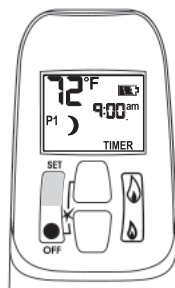
- **MAN** - **Manual Mode** - Manual Flame Height Adjustment.



- ***TEMP** - **Daytime Temperature Mode** (Appliance must be in standby mode; pilot ignited) - The room temperature is measured and compared to the set temperature. The flame height is then automatically adjusted to achieve the Daytime Set Temperature.



- **/TEMP** - **Nighttime Setback Temperature Mode** (Appliance must be in standby mode; pilot ignited) - The room temperature is measured and compared to the Nighttime Setback temperature. The flame height is then automatically adjusted to achieve the Nighttime Setback Temperature.



- **TIMER** - **Timer Mode** (Appliance must be in standby mode; pilot ignited) - The timers P1 and P2 (Program 1, Program 2) each can be programmed to go ON and OFF at specific times. For instructions see Timer Programming Mode.

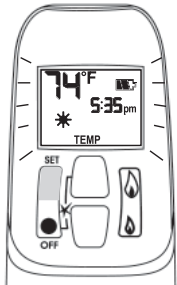
NOTE: The display shows the set temperature every 30 seconds.


Remote Control Operation

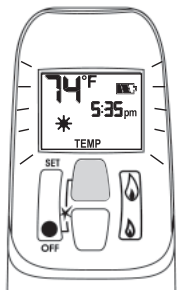
SETTING THE ON / OFF TEMPERATURES



SETTING THE "DAYTIME" TEMPERATURE

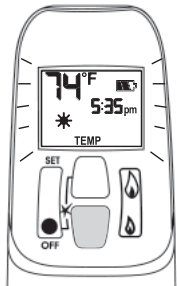
Default Settings:  TEMP (sun), 23°C / 74°F





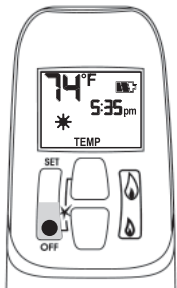
- Briefly press SET button to scroll to TEMP  TEMP (sun) mode. Hold the SET button until the TEMP flashes.



- Press  (large flame) button to increase the  Daytime Set Temperature.



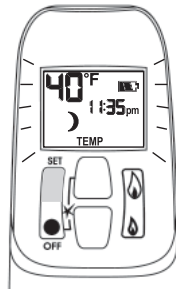
- Press  (small flame) button to decrease  Daytime Set Temperature.




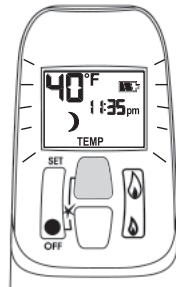
- Press OFF or simply wait to complete programming.



SETTING THE "NIGHTTIME SETBACK" TEMPERATURE

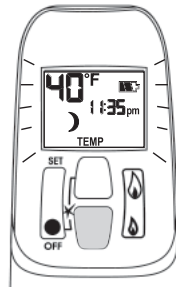
Default Settings:  TEMP (moon), "--" (OFF)





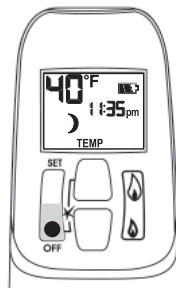
- Briefly press SET button to scroll to TEMP  TEMP (moon) mode. Hold the SET button until the TEMP flashes.



- Press  (large flame) button to increase  Nighttime Setback Temperature.



- Press  (small flame) button to decrease  Nighttime Setback Temperature.



- Press OFF or simply wait to complete programming.

Tip

Set the different parameters when they are flashing.

Remote Control Operation

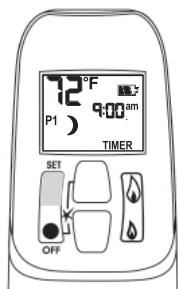
SETTING PROGRAM TIMERS

- You can program two periods of time between 12:00 am and 11:50 pm in each 24-hour cycle.
- The Programs P1 and P2 must be set in the following order during a 24-hour cycle: **P1** ☀, **P1** 🌙, **P2** ☀ and **P2** 🌙
- The icon ☀ indicates the beginning of the period (ON) and the icon 🌙 indicates the end of the period (OFF).
- If **P1** ☀ = **P1** 🌙 or **P2** ☀ = **P2** 🌙, the programming is cancelled.
- To keep the fireplace ON all night, set **P2** 🌙 at 11:50 am and **P1** ☀ at 12:00 am.

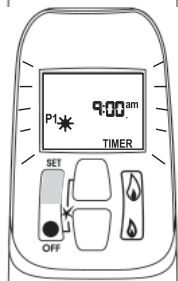
Default settings:

Program 1: **P1** ☀ 6:00 am **P1** 🌙 8:00 am

Program 2: **P2** ☀ 11:50 pm **P2** 🌙 11:50 pm

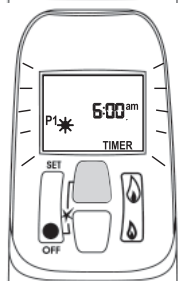


- Briefly press SET button to scroll to TIMER mode.

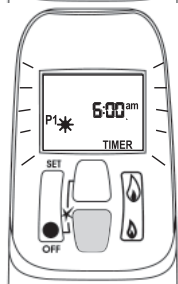


SETTING P1 ON TIME

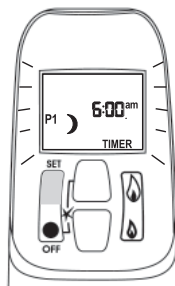
- Hold the SET button until **P1** ☀ (sun) is displayed and the time flashes.



- Press 🔥 (large flame) button to set the hour.

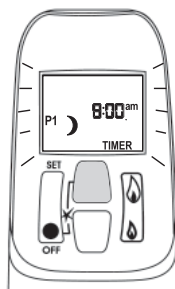


- Press 🔥 (small flame) button to set the minutes.

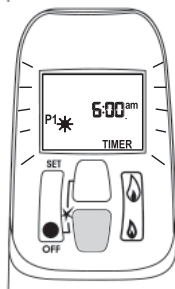


SETTING P1 OFF TIME

- Briefly press SET button to scroll to TIMER **P1** 🌙 (moon) while the time flashes.



- Press 🔥 (large flame) button to set the hour.



- Press 🔥 (small flame) button to set the minutes.

SETTING P2 ON TIME

- Briefly press SET to scroll to TIMER mode **P2** ☀ (sun) while the time flashes.
- Follow the instructions given to set P1 ON time.

SETTING P2 OFF TIME

- Briefly press SET to scroll to TIMER mode **P2** 🌙 (moon) while the time flashes.
- Follow the instructions given to set P1 OFF time.

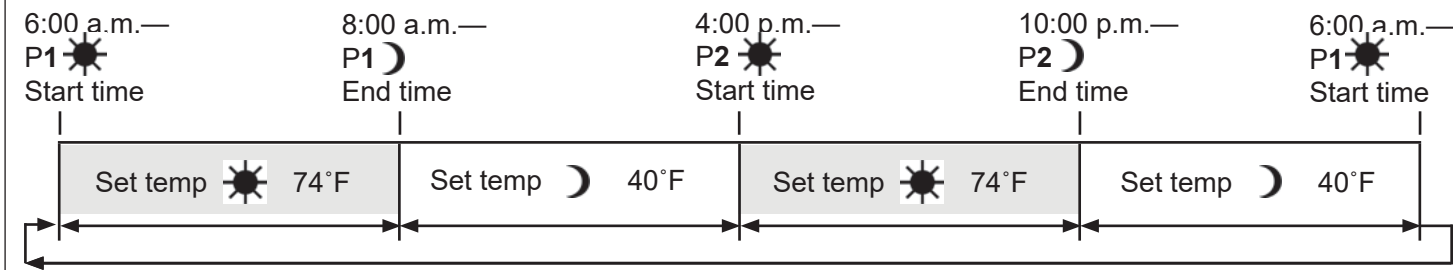
Press OFF button to save these settings. The timers are programmed. See the diagram on programming sequences on the following page.

Tip

If you want to program only one period, program **P1** ☀ and **P1** 🌙 with desired times and program **P2** ☀ and **P2** 🌙 with the same time as **P1** 🌙.

Remote Control Operation

Timer Programming Example (default temperatures shown)



AUTOMATIC TURN DOWN

- **No communication.** If there is no communication between the receiver and the handset for a period of 6 hours, the appliance goes into pilot mode.
- **No change in flame height.** If there is no change in flame height for a period of 6 hours, the appliance goes into pilot mode.

NOTE: In **TEMP** or **TIMER** modes, the flame height will vary according to room temperature. The appliance will continue to work normally. However, if the room temperature remains the same for 6 hours, the appliance will go into pilot mode.


AUTOMATIC SHUT OFF

- **Low batteries in the receiver.** With low battery power in the receiver the system shuts off completely.
NOTE: This does not apply when the power supply is interrupted.
- **No change in pilot.** The appliance shuts off completely when it is continually in pilot position—without any change—for a period of 5 days.

LOW BATTERY INDICATION

CAUTION

DO NOT USE a screwdriver or other metallic object to remove the batteries from the battery box or the handset! This could cause a short circuit.

Remote handset: The battery icon  will show when the battery needs to be replaced. Replace with one 9 V **alkaline** battery.

Receiver: Frequent beeps for 3 seconds when the motor turns indicate the batteries need to be replaced. Replace with four 1.5 V **alkaline** batteries.

HANDSET / RECEIVER MATCH

The remote control handset and receiver are programmed to function together. In case of a replacement of the handset or the receiver, you will need to reset the receiver to allow them to function together. Contact your dealer for details.

Options

Required Kits*	
Liner Panels (choose one)	
1245VRL	Victorian Red Liners
1250FSL	Frontera Liners
1255IBL	Inca Slab Liners
1260BSL	Black Slab Liners
1280LSL	Ledgestone Liners
Optionnal Accessories*	
Gas Conversion Kits	
1200NGK	Conversion to NG
1200PGK	Conversion to LPG
Doors and Surrounds	
1215FDV	FenderFire Double Door Kit
1220FSV	FenderFire Single Door Kit
1240BPK	3-Sided Backing Plate Kit

1241FBK	4-Sided Backing Plate Kit
614CVI	Arched Cast Surround
615CVI	Cast Surround
Frets and Andirons	
1225VFB	Ventana Fret Black
1230ACB	Andiron Classic Black
1236MAP	Metropolis Andiron Polished
Other Accessories	
1270RBK	Remote Blower Kit
1265WSK	Wall switch kit
RBWSK	Remote battery & wall switch kit
Hearth Gate	Hearth gates such as Cardinal's <i>VersaGates</i> are available at retail stores carrying safety products for children.

*Information accurate at the time of printing and subject to change without notice.

Lighting Instructions

FOR YOUR SAFETY, READ BEFORE LIGHTING

WARNING: If you do not follow these instructions exactly, a fire or explosion may result causing property damage, personal injury or loss of life.

- A. This appliance has a pilot which must be lighted by hand or by remote control. Follow these instructions exactly. To save gas, turn the pilot off when not using the appliance for a prolonged period of time.
- B. **BEFORE LIGHTING**, smell all around the appliance area for gas. Be sure to smell next to the floor because some gas are heavier than air and will settle on the floor.
- WHAT TO DO IF YOU SMELL GAS
- Do not try to light any appliance.
 - Do not touch any electric switch; do not use any phone in your building.
 - Immediately call your gas supplier from a neighbor's phone. Follow the gas supplier's instructions.
 - If you cannot reach your gas supplier, **call the fire department.**
- C. Use only your hand to push in or turn the control knobs. Never use tools. If the knobs will not push in or turn by hand, **don't try to repair them; call a qualified service technician. Force or attempted repair may result in a fire or explosion.**
- D. Do not use this appliance if any part has been under water. **Immediately call a qualified service technician** to inspect the appliance and to replace any part of the control system and any gas control, which has been under water.

LIGHTING INSTRUCTIONS

1. STOP! Read the safety information above. Dependent on model, switch #1 may be mounted directly to valve see Fig 2A.

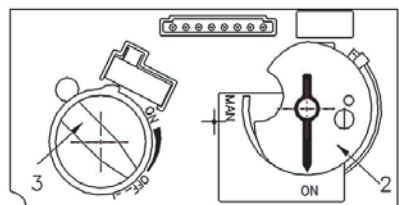


Fig 1

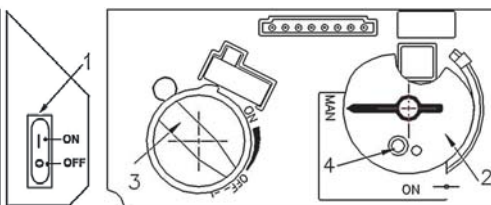


Fig 2

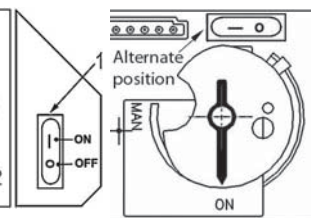




Fig 2A

2. SET ON/OFF SWITCH (1) TO "OFF" POSITION.

- Wait five (5) minutes to clear out any gas, then smell for gas, including near the floor. If you smell gas, STOP! Follow "B" in the safety information above on this label. If you don't smell gas, go to the next step.

3. AUTOMATIC IGNITION (fig. 1): Locate the pilot (fig 3.) inside of firebox at Left Hand side.

- ON/OFF switch (1) in ON position, MAN-knob (2) in ON position; set Flame Adjustment knob (3) to lowest setting (∩);
- On the remote control handset, press and hold the 'off' button and  (large flame) simultaneously; a short acoustic signal confirms the start has begun;
- Further short acoustic signals indicate the ignition process is in progress;
- When the pilot is lit, the Flame Adjustment knob (3) will automatically rotate to the highest setting.
- Press the  (small flame) on the remote control handset to reduce the flame height.

4. MANUAL IGNITION (fig. 2): With the window off, locate the pilot (fig. 3) inside of firebox at Left Hand side;

- ON/OFF switch (1) in ON position, MAN-knob (2) in MAN position;
- Set Flame Adjustment knob (3) to the lowest setting (∩);
- Push down the metallic core (4) with a pen or similar instrument; this will establish the pilot gas flow;
- Light gas at the pilot (5) with a match;
- Continue holding down metal core (4) for about 10 seconds; after release, pilot should remain lit;
- If the pilot will not stay lit after several tries, turn the gas control knob (3) to "OFF" (∩) and call your local service technician or gas supplier.

Reinstall the window and set the MAN-knob (2) to "ON"; turn Flame Adjustment knob (3) up (∩) or down manually or use the up/down 'flame' buttons on the remote control handset to adjust the flame height.

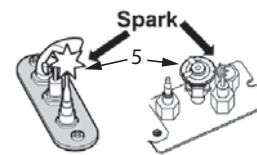



Fig 3

TO TURN OFF GAS TO APPLIANCE

1. AUTOMATIC SHUT-OFF (using the remote control handset):
- Press and hold the  (small flame) on the remote control handset to shut-off the main burner gas flow;
 - Press "OFF" button on remote handset to shut-off the appliance, including pilot flame.
2. MANUAL SHUT-OFF (using only the ON/OFF switch (1))
- Press "O" the ON/OFF switch (1) to shut-off the appliance.

State of Massachusetts Carbon Monoxide Detector/Vent Terminal Signage Requirements

For all side wall horizontally vented gas fueled equipment installed in every dwelling, building or structure used in whole or in part for residential purposes, including those owned or operated by the Commonwealth and where the side wall exhaust vent termination is less than seven (7) feet above finished grade in the area of the venting, including but not limited to decks and porches, the following requirements shall be satisfied:

1. INSTALLATION OF CARBON MONOXIDE

DETECTORS. At the time of installation of the side wall horizontal vented gas fueled equipment, the installing plumber or gas fitter shall observe that a hard wired carbon monoxide detector with an alarm and battery back-up is installed on the floor level where the gas equipment is to be installed. In addition, the installing plumber or gas fitter shall observe that a battery operated or hard wired carbon monoxide detector with an alarm is installed on each additional level of the dwelling, building or structure served by the side wall horizontal vented gas fueled equipment. It shall be the responsibility of the property owner to secure the services of qualified licensed professionals for the installation of hard wired carbon monoxide detectors.

a. In the event that the side wall horizontally vented gas fueled equipment is installed in a crawl space or an attic, the hard wired carbon monoxide detector with alarm and battery back-up may be installed on the next adjacent floor level.

b. In the event that the requirements of this subdivision can not be met at the time of completion of installation, the owner shall have a period of thirty (30) days to comply with the above requirements; provided, however, that during said thirty (30) day period, a battery operated carbon monoxide detector with an alarm shall be installed.

2. APPROVED CARBON MONOXIDE DETECTORS.

Each carbon monoxide detector as required in accordance with the above provisions shall comply with NFPA 720 and be ANSI/UL 2034 listed and IAS certified.

3. **SIGNAGE.** A metal or plastic identification plate shall be permanently mounted to the exterior of the building at a minimum height of eight (8) feet above grade directly in line with the exhaust vent terminal for the horizontally vented gas fueled heating appliance or equipment. The sign shall read, in print size no less than one-half (1/2) inch in size, "GAS VENT DIRECTLY BELOW. KEEP CLEAR OF ALL OBSTRUCTIONS".

4. **INSPECTION.** The state or local gas inspector of the side wall horizontally vented gas fueled equipment shall not approve the installation unless, upon inspection, the inspector observes carbon monoxide detectors and signage installed in accordance with the provisions of 248 CMR 5.08(2)(a)1 through 4.

(b) **EXEMPTIONS:** The following equipment is exempt from 248 CMR 5.08(2)(a)1 through 4:

1. The equipment listed in Chapter 10 entitled "Equipment Not Required To Be Vented" in the most current edition of NFPA 54 as adopted by the Board; and

2. Product Approved side wall horizontally vented gas fueled equipment installed in a room or structure separate from the dwelling, building or structure used in whole or in part for residential purposes.

(c) MANUFACTURER REQUIREMENTS - GAS EQUIPMENT VENTING SYSTEM PROVIDED.

When the manufacturer of Product Approved side wall horizontally vented gas equipment provides a venting system design or venting system components with the equipment, the instructions provided by the manufacturer for installation of the equipment and the venting system shall include:

1. Detailed instructions for the installation of the venting system design or the venting system components; and

2. A complete parts list for the venting system design or venting system.

(d) MANUFACTURER REQUIREMENTS - GAS EQUIPMENT VENTING SYSTEM NOT PROVIDED.

When the manufacturer of a Product Approved side wall horizontally vented gas fueled equipment does not provide the parts for venting the flue gases, but identifies "special venting systems", the following requirements shall be satisfied by the manufacturer:

1. The referenced "special venting system" instructions shall be included with the appliance or equipment installation instructions; and
2. The "special venting systems" shall be Product Approved by the Board, and the instructions for that system shall include a parts list and detailed installation instructions.

(e) A copy of all installation instructions for all Product Approved side wall horizontally vented gas fueled equipment, all venting instructions, all parts lists for venting instructions, and/or all venting design instructions shall remain with the appliance or equipment at the completion of the installation.

Specifications

Approval & Codes

This appliance is certified to ANSI Z21.88-2014/ CSA 2.33-2014 American National Standard / CSA Standard for *Vented Gas Fireplace Heaters* for use in Canada and USA, and to CGA 2.17-91 *High Altitude Standard in Canada*. This appliance is for direct vent installations.

This appliance complies with CSA P4.1-09 *Testing method for measuring annual fireplace efficiencies*.

The installation must conform to local codes or, in the absence of local codes, with the *National Fuel Gas Code, ANSI Z223.1* or the *Natural Gas and Propane Installation Code CAN/CGA-B149*. Only qualified licensed or trained personnel should install this appliance.

This appliance must be electrically grounded in accordance with local codes, or, in the absence of local codes, with the *National Electrical Code, ANSI/NFPA 70* or the *Canadian Electrical Code, CSA C22.1*.

Ratings

Model	N	P
Gas	Natural	Propane
Altitude (Ft.)*	0-4,500 feet*	
Input Maximum (Btu/h)	36,000	31,000
Input Minimum (Btu/h)	15,000	15,000
Manifold Pressure (in w.c.)	3.6"	10.5"
Minimum Supply Pressure (in w.c.)	5"	11"
Maximum Supply Pressure (in w.c.)	10"	14"
Main Burner Injector Marking	Cat # 82-1200	Cat # 92-360
Pilot Injector Marking	#51	#30
Min. Rate By-Pass Screw	#190	#125

*High Altitude Installations

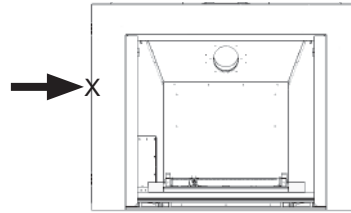
Input ratings are shown in BTU per hour and are certified without deration for elevations up to 4,500 feet (1,370 m) above sea level.

For elevations above 4,500 feet (1,370 m) in USA, installations must be in accordance with the current ANSI Z223.1 and/or local codes having jurisdiction. Heating value of gas in some areas is reduced to compensate for elevation—consult your local gas utility to confirm.

For installations at elevations above 4,500 feet (1,370 m) in Canada, please consult provincial and/or local authorities having jurisdiction.

Supply Gas

Heater engine 1200EAN is used with natural gas. Heater engine 1200EAP is used with propane gas. The supply pressure must be between the limits shown in the Ratings section above.



The supply connection is 3/8 inch NPT male and located on the left hand side of the firebox. A shut-off valve (not supplied) is required on the supply line to isolate the unit during service.

Conversion Kits

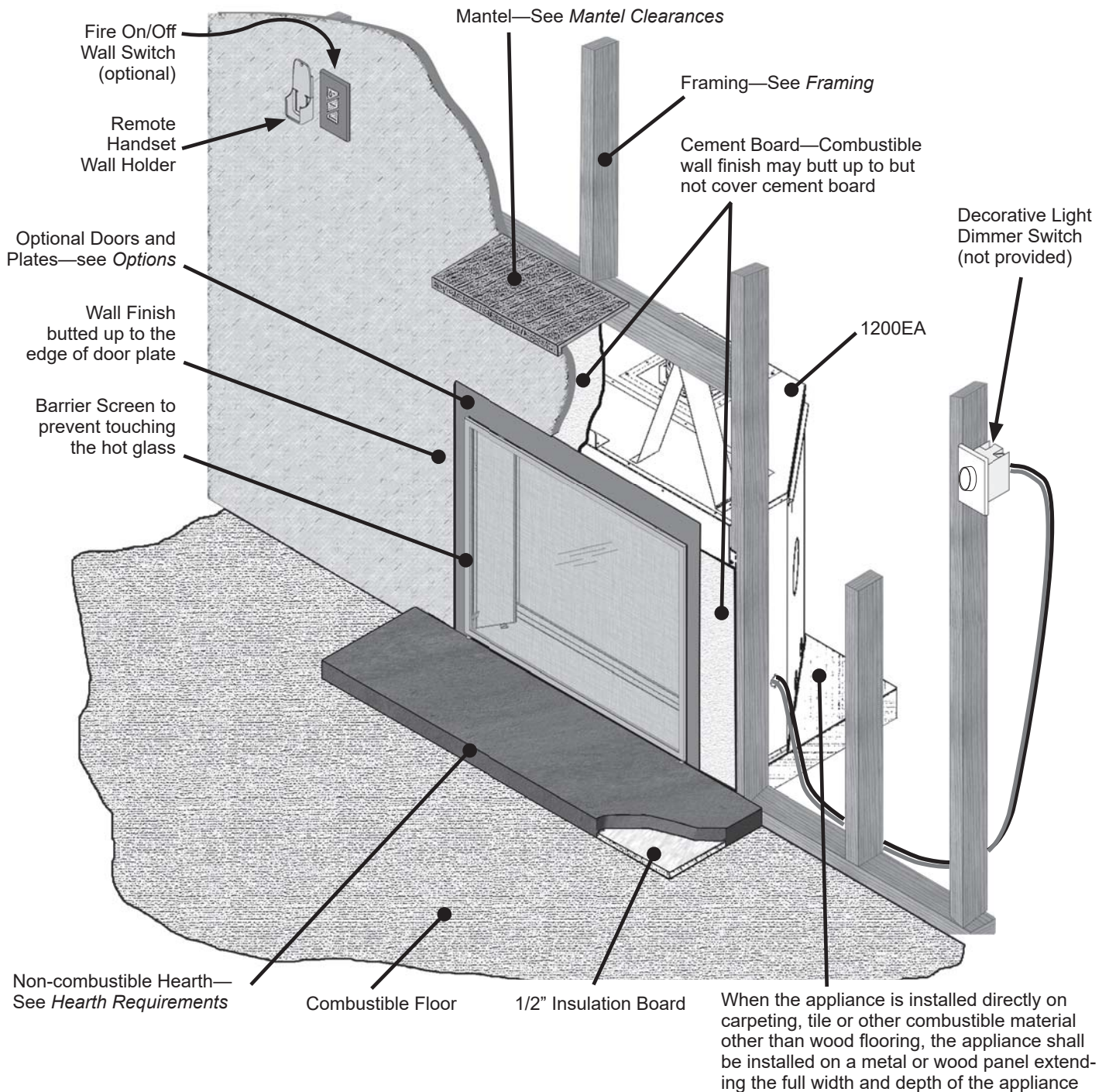
The 1200 Ventana is supplied as natural gas or propane gas and is field convertible between fuels. See instructions packaged with the conversion kit for further information.

Electrical

The 1200 does not require an electrical power source to operate as a heater. However, it requires electrical power to operate its decorative hearth light.

This appliance is designed and approved as a supplemental heater and provides the potential for most energy conservation when used while attended. The use of an alternate primary heat source is advisable.

Overview



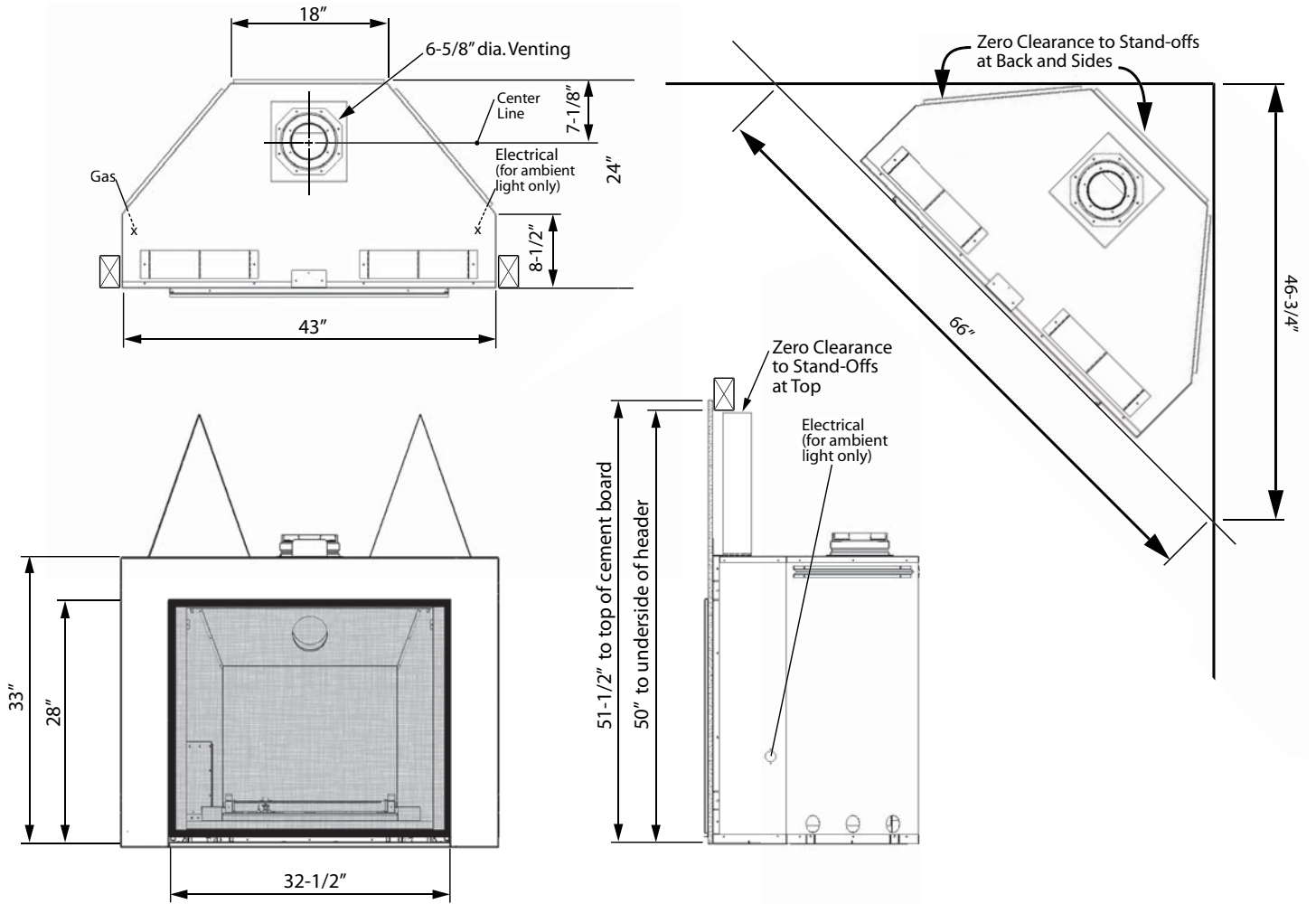
⚠ WARNING

Some materials or items, although safe, may discolor, shrink, warp, crack, peel, and so on because of the heat produced by the fireplace. Avoid placing candles, paintings, photos, and other items sensitive to heat around the fireplace.

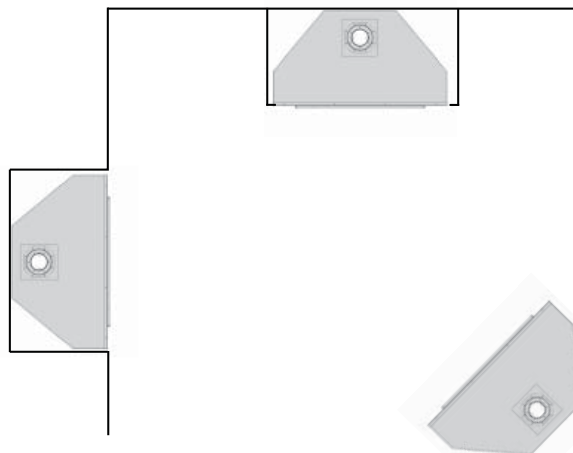
⚠ WARNING

HOT HEARTH / FLOOR! The hearth or floor in front of the fireplace may become very hot when the fireplace heats. Do not use the hearth as a seat or shelf. Solid wood flooring in front of the fireplace (if allowed) may shrink during the heating season due to heat.

Dimensions

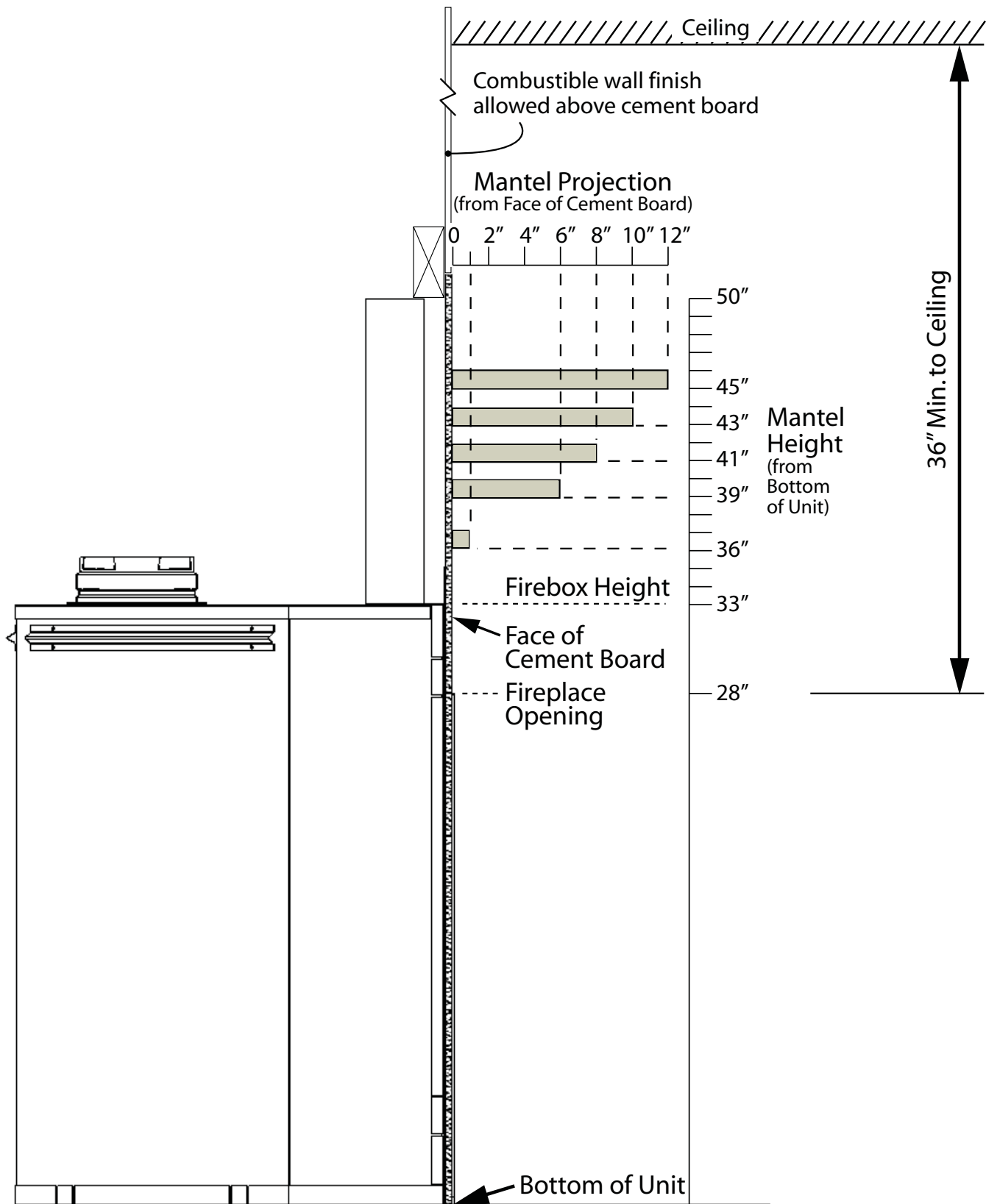


Location



Mantel Clearances

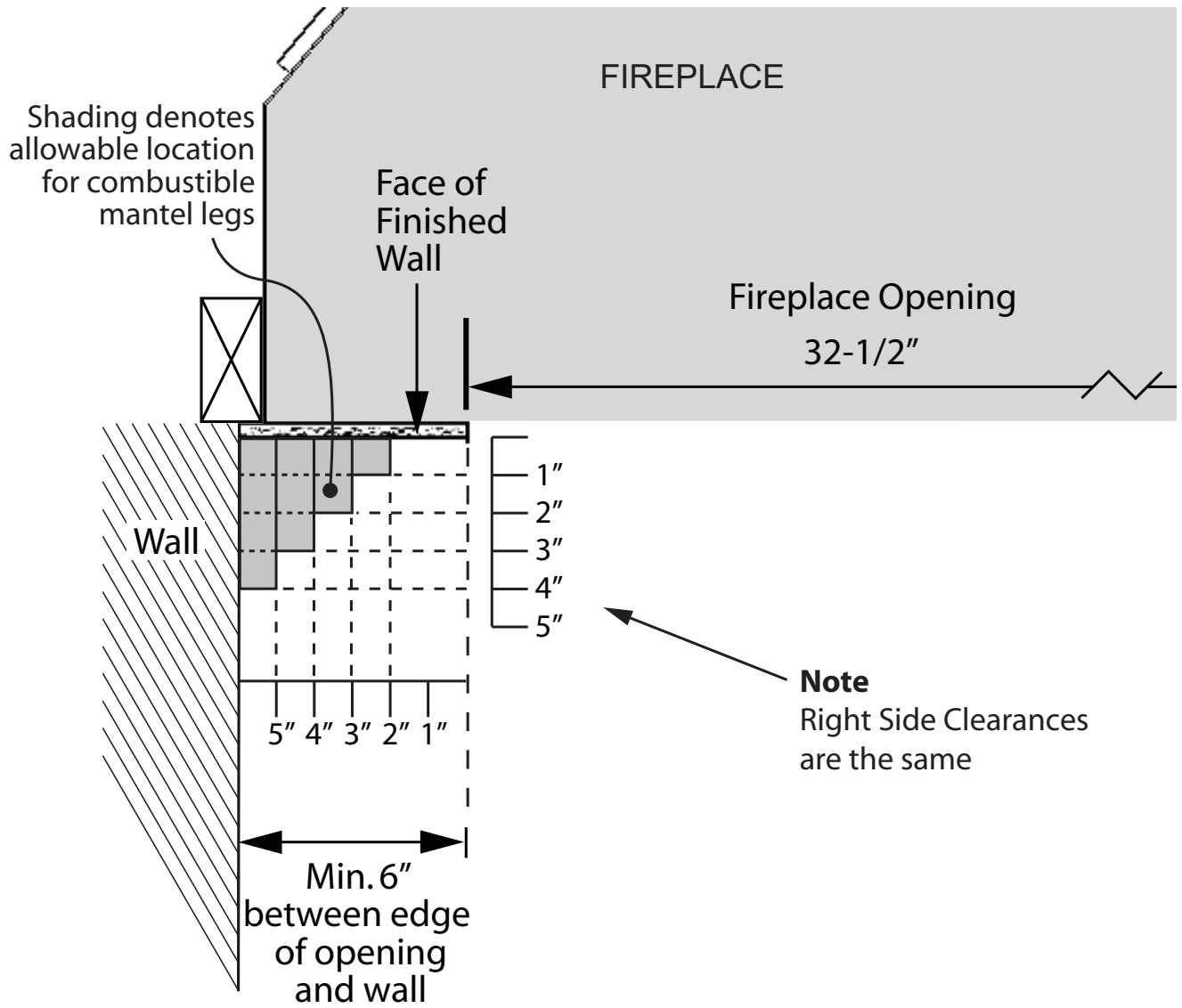
Combustible Mantel—Left Side View



Left Side View

Mantel Clearances

Combustible Sidewall / Mantel Leg—Top View



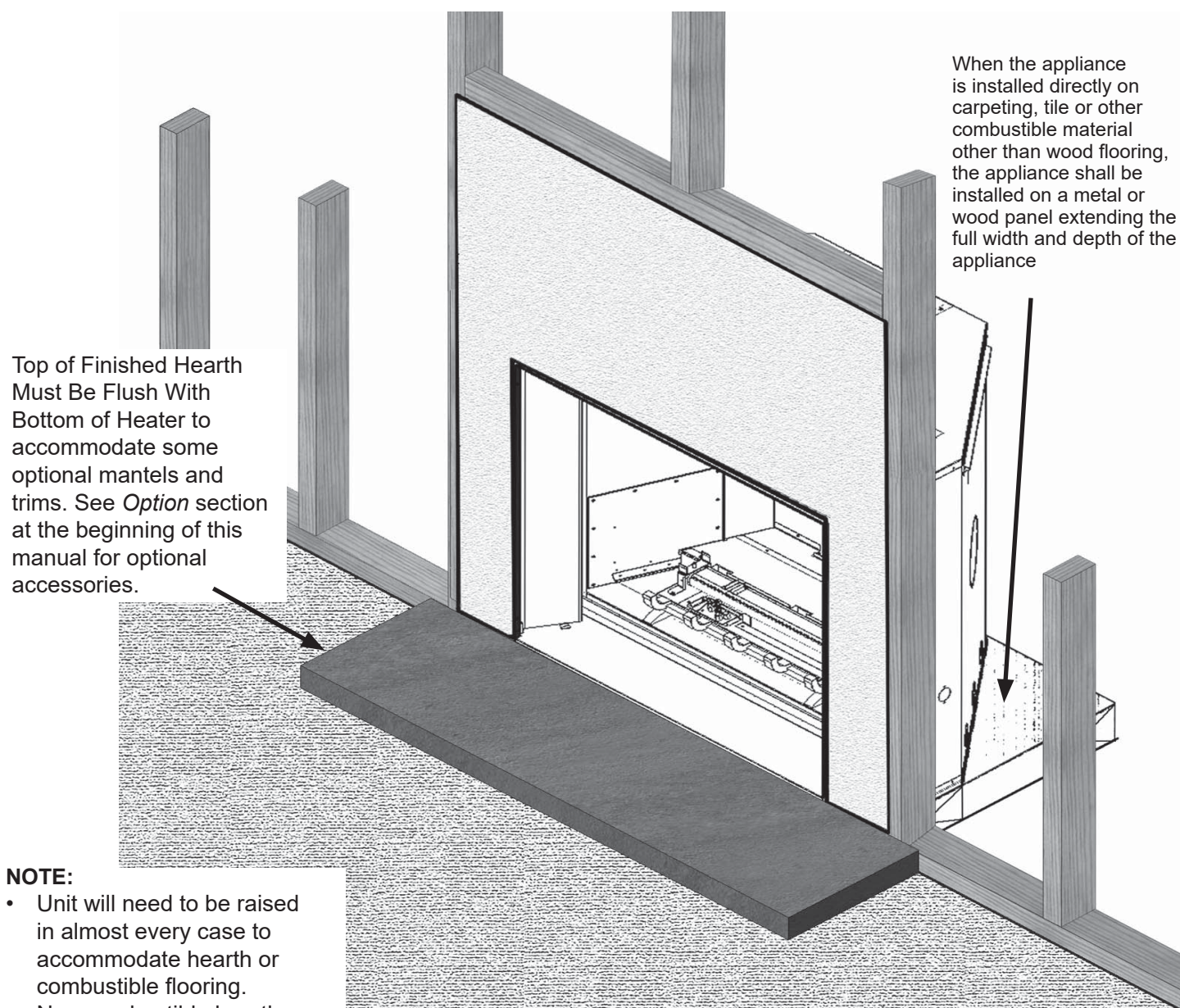
Top View

Hearth Requirements

General Hearth Considerations

⚠ WARNING

SAFETY WARNING! The Ventana is a very effective radiant heater. The hearth/floor in front of the heater can get very hot (in excess of 200°F). Locating the unit raised above the hearth/floor or adding one of the optional screen fronts or a generic freestanding screen in front of the unit can greatly reduce hearth temperatures. Any hearth within 4 inches of the base of the heater must be constructed of non-combustible materials (see diagrams in the following pages). Note that some materials, although safe can degrade due to heat—take this into consideration when choosing materials.



Top of Finished Hearth Must Be Flush With Bottom of Heater to accommodate some optional mantels and trims. See *Option* section at the beginning of this manual for optional accessories.

When the appliance is installed directly on carpeting, tile or other combustible material other than wood flooring, the appliance shall be installed on a metal or wood panel extending the full width and depth of the appliance

NOTE:

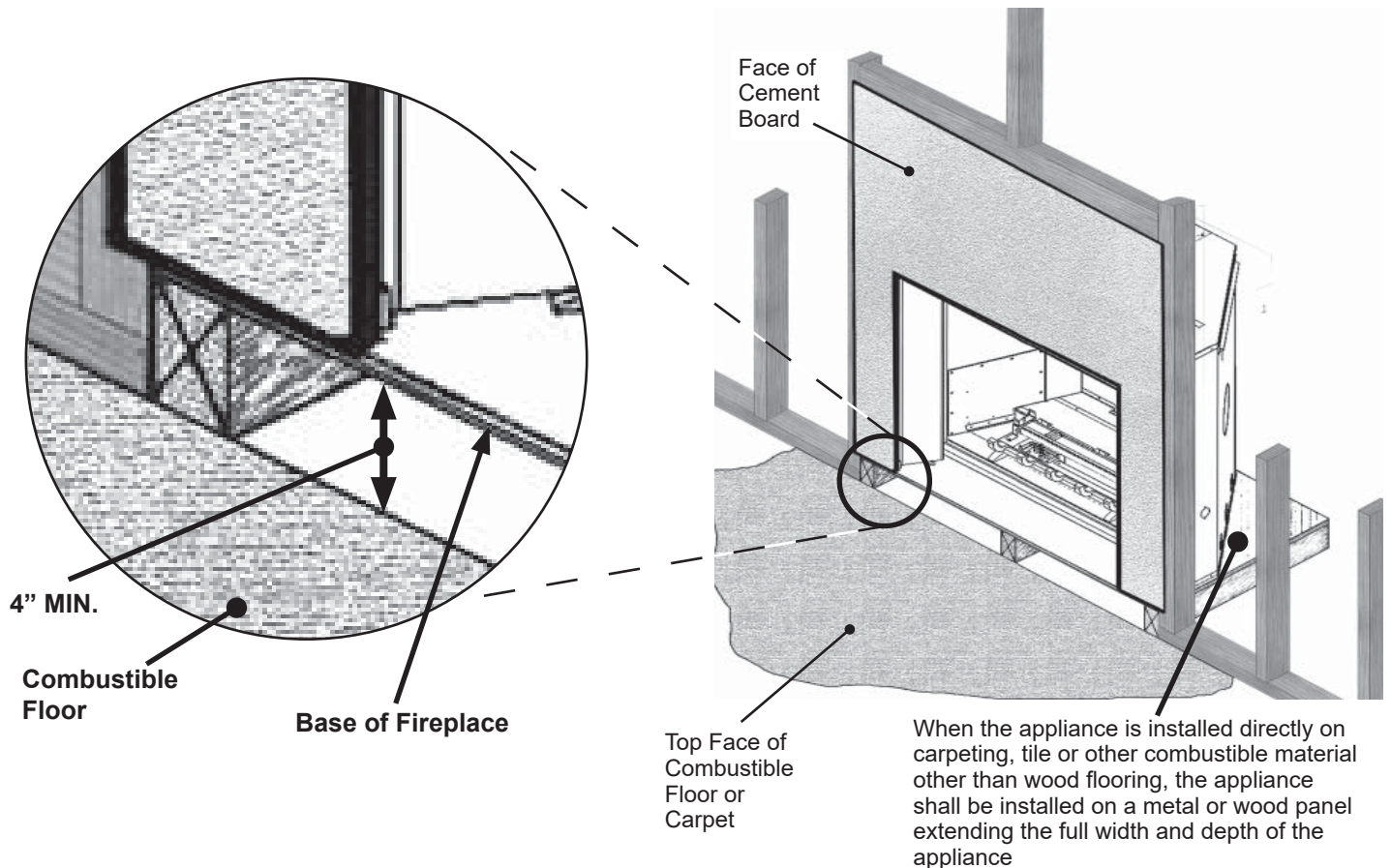
- Unit will need to be raised in almost every case to accommodate hearth or combustible flooring.
- Non-combustible hearth required if bottom of fireplace is less than 4" from combustible floor in front.

Hearth Requirements

Rules

1. Any hearth/floor in front of fireplace within 4 inches of the bottom of the unit must be non-combustible and project a minimum distance as shown on page 27. The hearth/floor must have a non-combustible finish **applied over the 1/2 inch insulation board** provided with the engine. This insulation board acts as a thermal break.
2. Minimum hearth projection is determined by a combination of the height of the hearth above the surface of combustible floor or carpet and the distance between the hearth and the bottom of the fireplace.
3. Combustible baseboards (1 inch thick or less) located on the wall are acceptable provided they are located below the base of the raised fireplace.

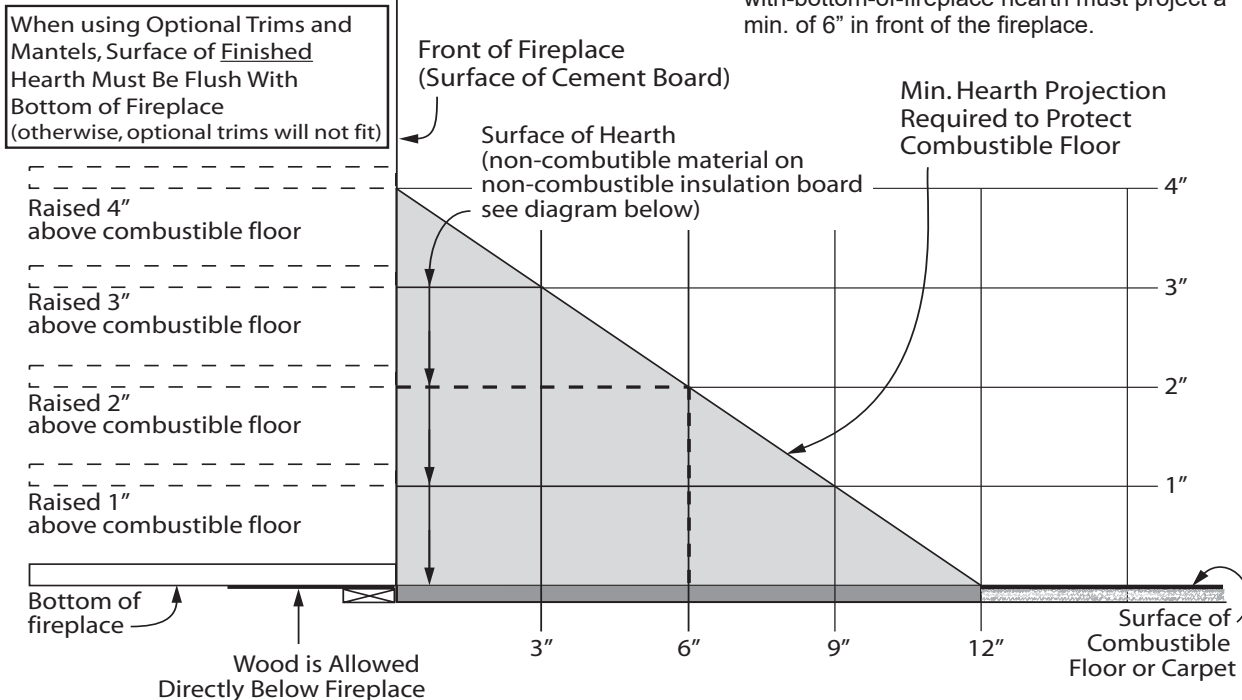
Unit Raised Above Combustible Hearth or Floor



Hearth Requirements

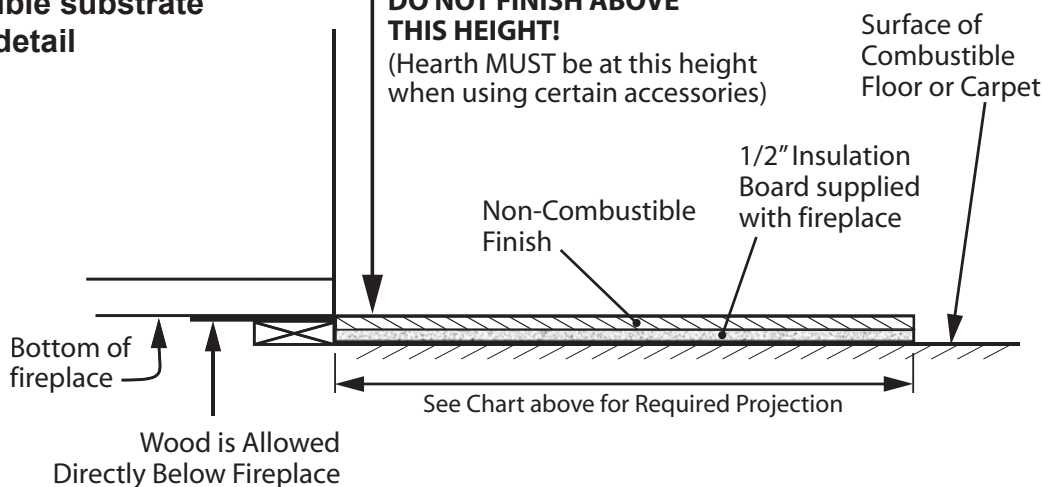
Unit With Site-Built Non-Combustible Hearth Extending

Example: If the fireplace is raised 2" above combustible floor, the non-combustible-flush-with-bottom-of-fireplace hearth must project a min. of 6" in front of the fireplace.



Non-combustible substrate construction detail

DO NOT FINISH ABOVE THIS HEIGHT!
(Hearth MUST be at this height when using certain accessories)

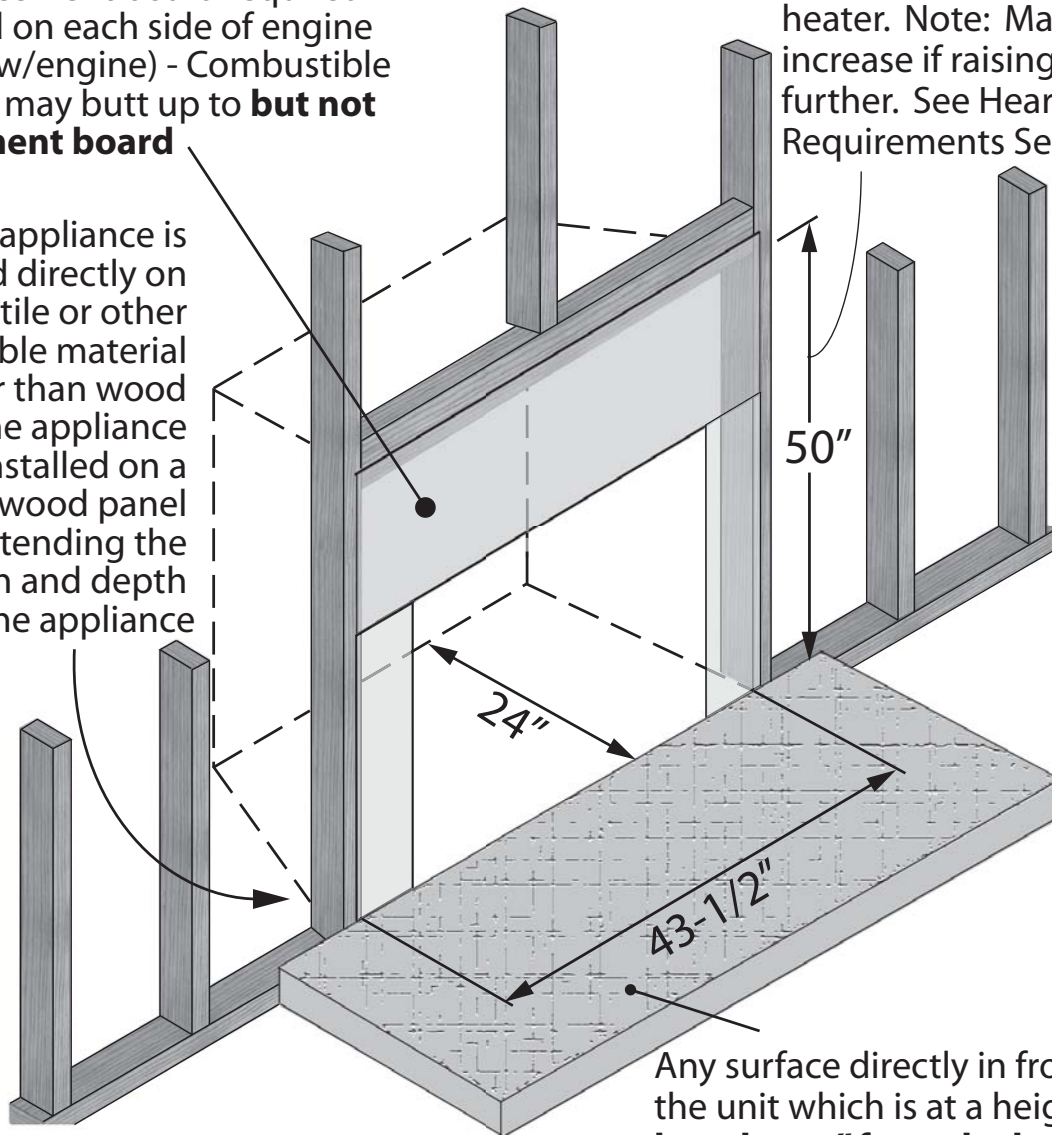


Framing

1/2" thick cement board required above and on each side of engine (supplied w/engine) - Combustible wall finish may butt up to **but not cover cement board**

Between underside of header and base of heater. Note: May increase if raising heater further. See Hearth Requirements Section.

When the appliance is installed directly on carpeting, tile or other combustible material other than wood flooring, the appliance shall be installed on a metal or wood panel extending the full width and depth of the appliance



Any surface directly in front of the unit which is at a height of **less than 4" from the bottom of the unit must be non-combustible.** See chart for minimum non-combustible projection required to protect combustible flooring in front.

FRAMING DIMENSIONS

Venting

Vent Material

This unit is approved for installation using 4 x 6-5/8 inches co-axial direct vent pipe and accessories as listed in the *Approved Venting Components* section on pages 48–49 of this manual. Follow the installation instructions supplied with the individual venting accessories.

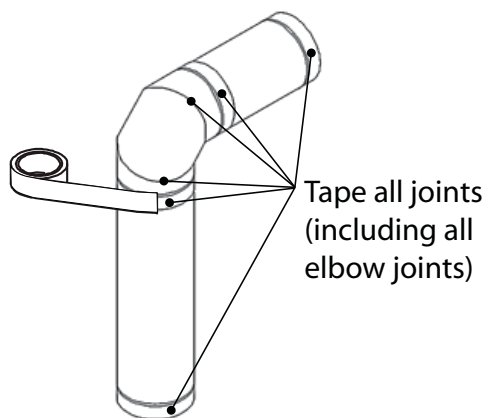
This unit may also be converted to co-linear (2 x 3 in) venting for use in solid-fuel burning fireplaces and chimneys using adapters and accessories—see the *Approved Venting Components* section on pages 48–49 of this manual.

Vent Sealing

Seal all outer coaxial pipe and elbow joints, including sectioned elbow joints, using high quality, high temperature 2 inch wide self-adhesive aluminum foil tape (Nashua-322-2 brand or similar). Wrap the tape completely around all joints and press firmly to seal.

A high temperature black silicone sealant may be used in the outer joints as a substitute to foil tape.

Ensure all the pipe joints have a minimum of 1 ¼ inch overlap.

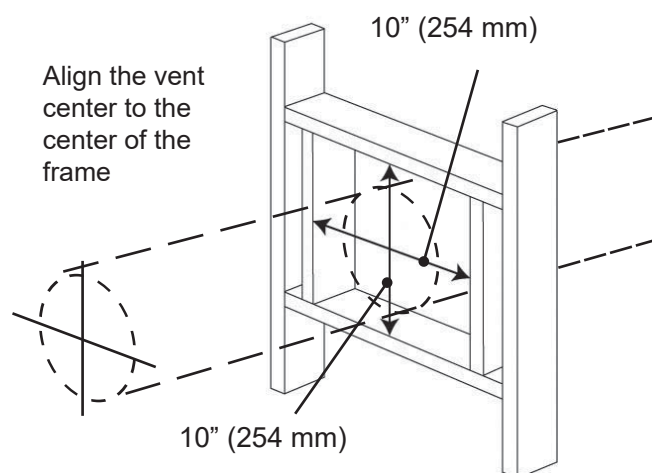


Wall Thickness

The appliance vent is suitable for penetrating a combustible wall assembly up to 8 inches in thickness. A non-combustible wall can be of any thickness up to the maximum horizontal run of vent pipe allowed for the particular installation.

Framing Vent in Combustible Walls & Ceilings

When penetrating through combustible walls and ceilings, frame a minimum of 10 x 10 inches opening and ensure that the insulation is kept clear of the vent pipe using either a wall thimble or an attic insulation shield. Follow the installation instructions supplied with the individual venting components.



All horizontal pipe runs must be graded 1/4 inch per foot upwards in the direction of the exhaust flow. The final pipe length, when terminating through the wall may be graded downwards slightly to prevent water migration.

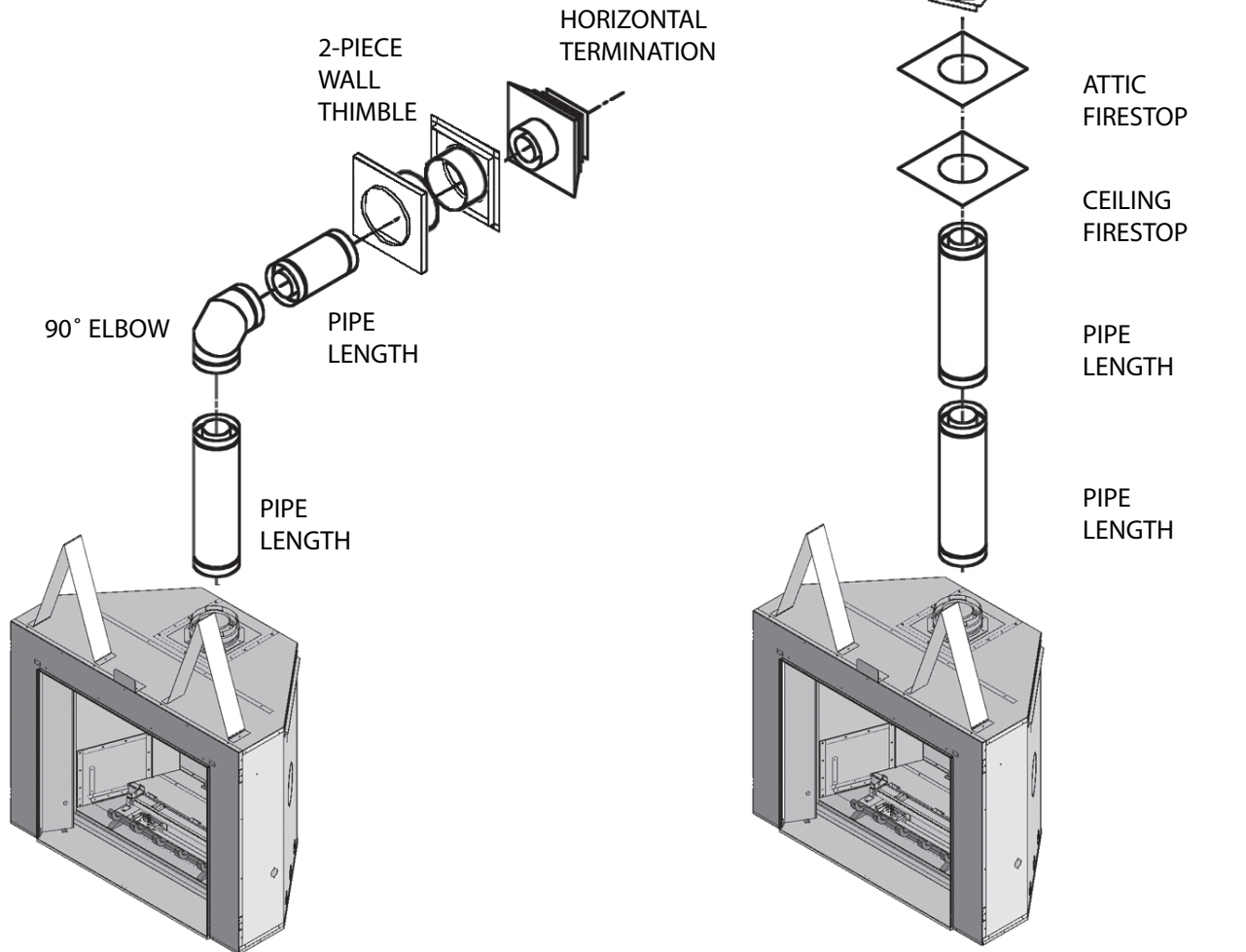
Important Installer Notice – Weather Sealing & Vapor Barriers

It is the installer’s responsibility to ensure that vent installations through exterior walls are caulked and weatherproofed in such a manner as to:

- Prevent rain water from entering the wall from the weather side by adequately caulking the outer vent plate to the exterior wall surface.
- Prevent moisture inside the home from penetrating into the wall structure by ensuring the inside wall plate is adequately sealed to the inside vapor barrier.
- Prevent rain water and moisture from entering the walls by sealing the joints between the outer vent tube and the inner and outer wall plates.

We recommend the use of a high quality polyurethane sealant.

Typical Venting Components



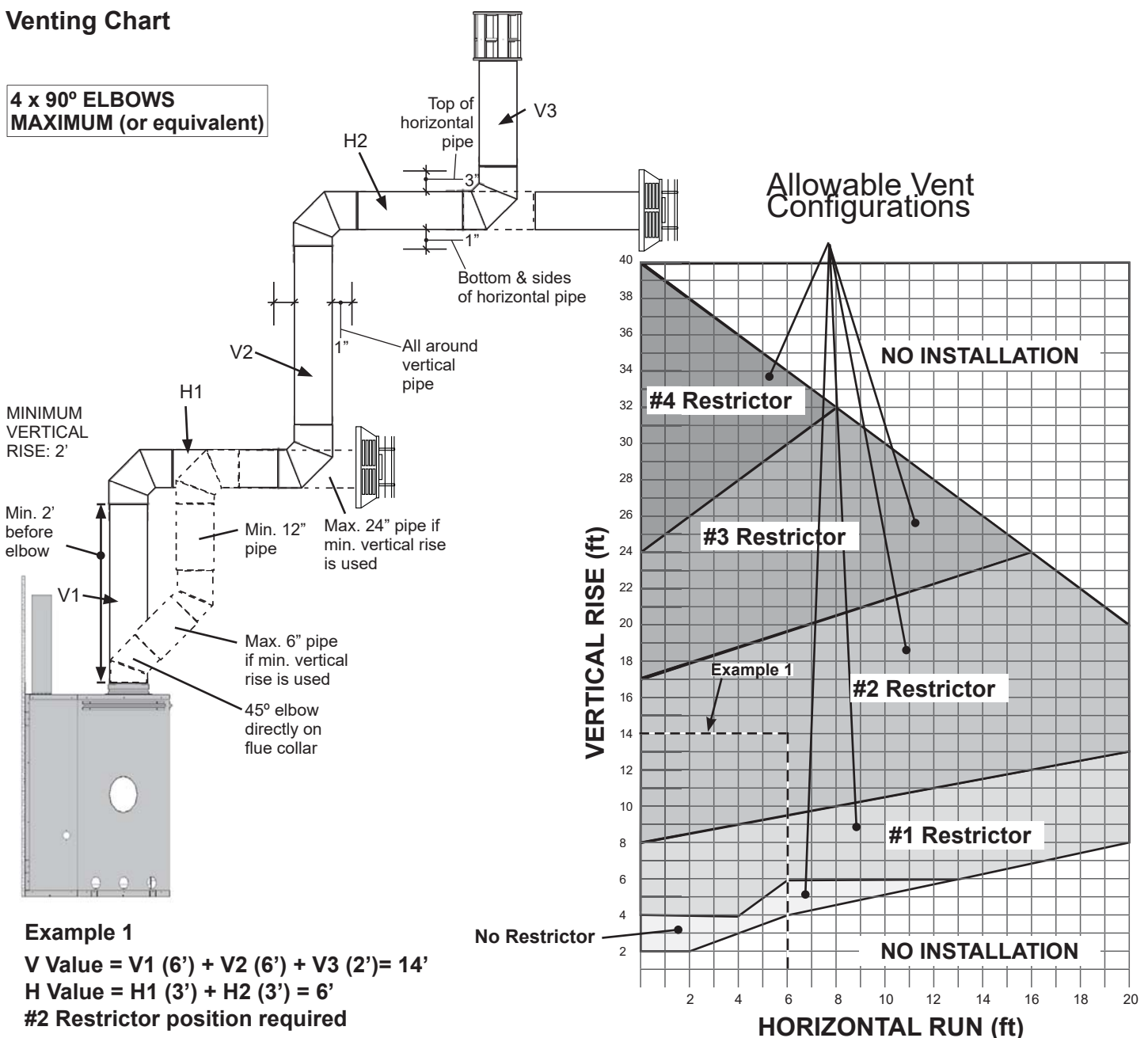
Co-axial Venting

How to Read the Venting Chart

The chart below applies to roof or wall termination.

1. The total length of the vent pipe cannot exceed 40 feet (12.2 m).
2. The minimum vertical height with roof termination is 6 feet (1.83 m).
3. Any combination of rise and run can be used as long as they are within the allowable limits shown on the chart below.
4. A maximum of 4 x 90 degrees elbows—or equivalent (2 x 45 degr. = 90 degr.)—can be used.
5. Each 90 degrees elbow installed on the horizontal plane is equivalent to a 3 feet horizontal pipe; therefore, 3 feet must be subtracted from allowable horizontal run (45 degrees elbow is equivalent to 18 inches horizontal pipe.)
6. All horizontal pipe runs must be graded 1/4 inch per foot upwards in the direction of the exhaust flow. The final pipe length, when terminating through the wall may be graded downwards slightly to prevent water migration.
7. A restrictor is required for many installations—see next section.

Venting Chart



Co-axial Venting

Restrictor

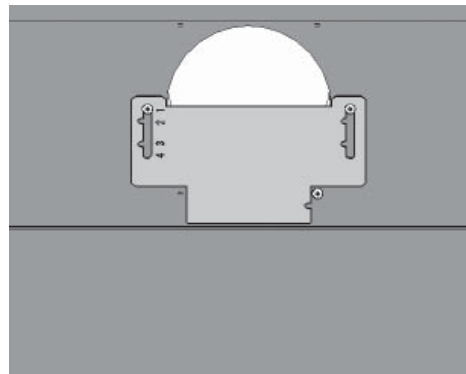
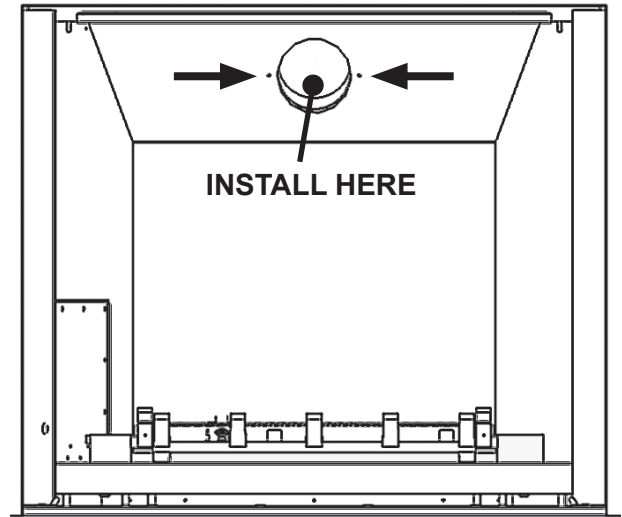
MANY INSTALLATIONS REQUIRE A RESTRICTOR for improved flame picture and performance. This unit is supplied with one restrictor having four different positions or settings. The level of restriction required depends on the vertical rise in the venting system and, to a lesser degree, the horizontal run and number of elbows.

The amount of restriction is based on laboratory tests. The ideal restrictor position may vary slightly, especially when the vent pipe length is near the limits of the acceptable configurations for each type of restrictor.

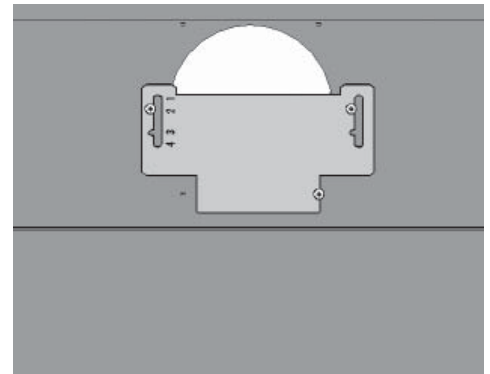
The chart on the previous page shows the vent restrictor required relative to the length of the vent pipe.

To install the restrictor:

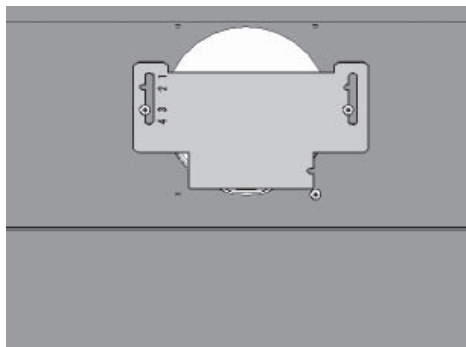
1. On an engine previously installed, open the panels on each side of the window. Remove the window skirt, the window, the logs, the right and rear top brick panels.
2. According to the installation, look up the venting chart on the previous page to know what position the restrictor should be fitted in.
3. Remove the screws (2) on each side of the **venting port in the firebox roof**.
4. Place the restrictor in the required position over the port aligning it with the two screw holes.
5. Fit the screws and tighten.
6. Continue the installation or, for an engine previously installed, replace the right and rear top brick panels, the logs, the window and the window skirt. Close the side panels.



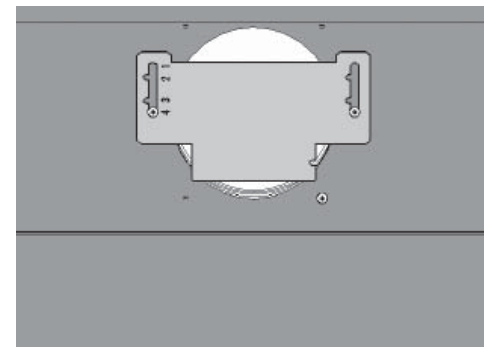
Position #1



Position #2



Position #3



Position #4

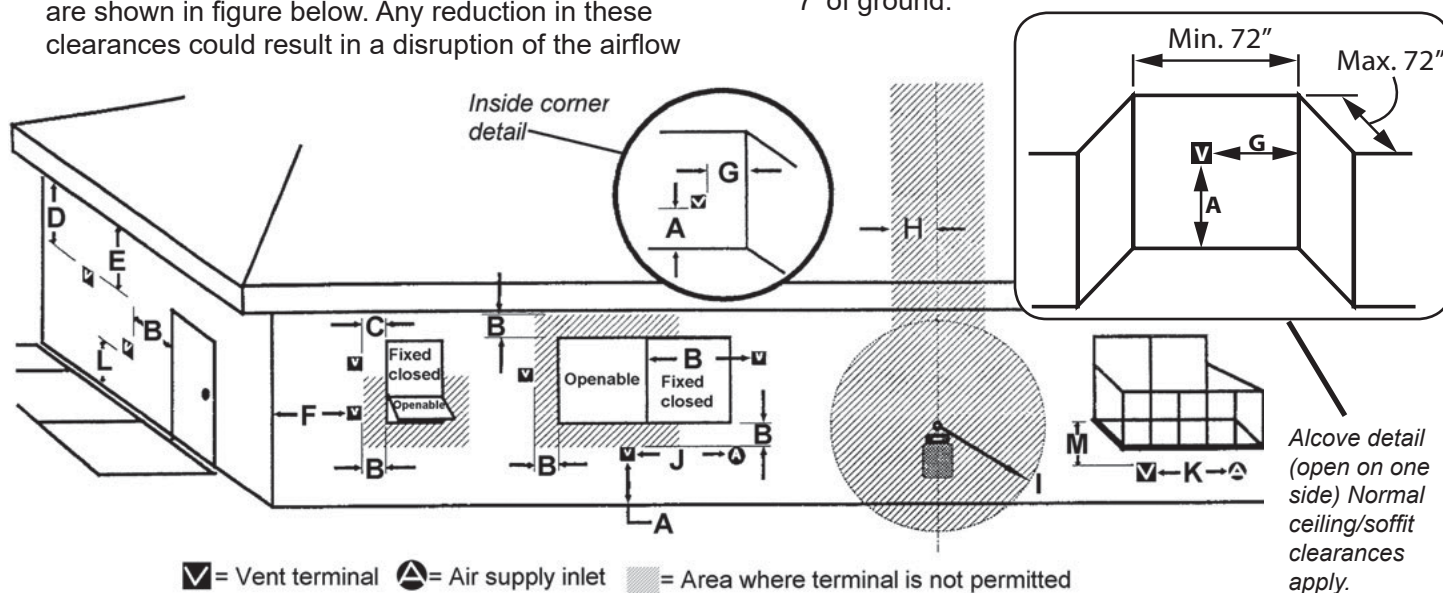
Co-axial Venting

Horizontal Vent Termination Location

- The vent terminal must be located on an outside wall or through the roof.
- This direct vent appliance is designed to operate when an undisturbed airflow hits the outside vent terminal from any direction.
- The minimum clearances from this terminal that must be maintained when located on an outside wall are shown in figure below. Any reduction in these clearances could result in a disruption of the airflow

or a safety hazard. Local codes or regulations may require greater clearances.

- The vent terminal must not be recessed into a wall or siding.
- The vent terminal should be positioned where any snowdrifts will not cover it.
- Sidewall vent terminations require a terminal guard such as 658TG or 845TG when accessible—within 7' of ground.



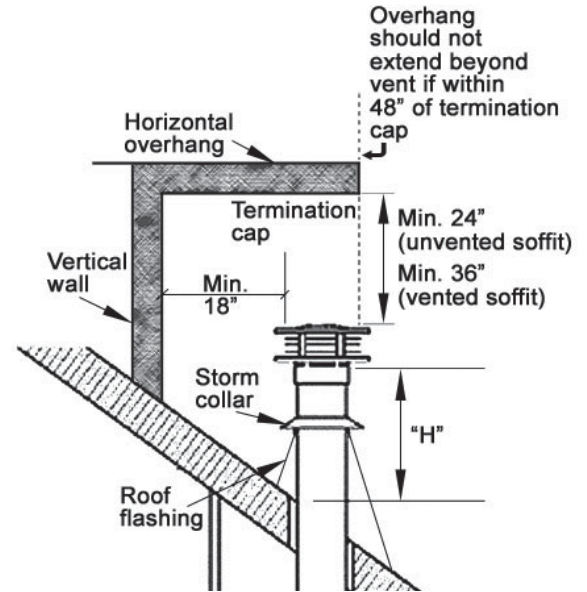
KEY	VENT TERMINAL LOCATIONS - MINIMUM DISTANCES	MINIMUM CLEARANCE	
		Inches	Cm
A	Clearance above grade, verandah, porch, deck or balcony	12	30
B	Clearance to window or door that may be opened	12	30
C	Clearance to permanently closed window (recommended to prevent condensation on window)	12	30
D	Vertical clearance to ventilated soffit located above the terminal within a horizontal distance of 2 feet (60 cm) from the center-line of the terminal	18	46
E	Clearance to unventilated soffit	12	30
F	Clearance to outside corner	12	30
G	Clearance to inside corner	12	30
H	Horizontal clearance to center-line of meter/regulator assembly located within 15 feet (4.6 m) below the terminal	36	90
I	Clearance to service regulator vent outlet	36	90
J	Clearance to non-mechanical air supply inlet to the building or the combustion air inlet to any other appliance	12	30
K	Clearance to a mechanical air supply inlet	72	180
L	Clearance above paved sidewalk or a paved driveway located on public property Note: A vent must not terminate directly above a sidewalk or paved driveway, which is located between two single-family dwellings and serves both dwellings. THIS DOES NOT APPLY to direct vent, non-condensing appliances in the Province of Ontario.	84	210
M	Clearance under a verandah, porch, deck or balcony <i>Only permitted if veranda, porch, deck or balcony is fully open on a minimum of 2 sides beneath the floor</i>	12	30

Note: Local codes and regulations may require different clearances.

Co-axial Venting

Vertical Vent Termination

Roof Pitch	Minimum "H" (feet)
Flat to 7/12	1'
Over 7/12 to 8/12	1.5'
Over 8/12 to 9/12	2'
Over 9/12 to 10/12	2.5'
Over 10/12 to 11/12	3.25'
Over 11/12 to 12/12	4'
Over 12/12 to 14/12	5'



Co-Linear Venting

Conversion to Co-Linear Liners using generic Co-Linear Adapters

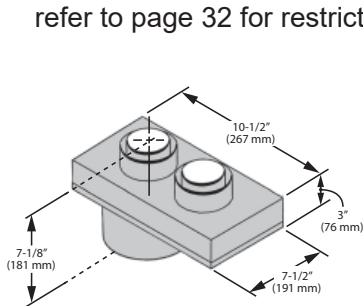
Co-linear portion of vent system may only be installed within a solid-fuel burning fireplace and chimney.

The appliance must not be connected to a chimney flue serving a separate solid-fuel burning appliance.

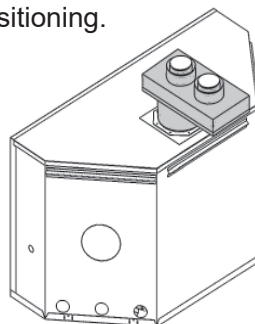
Requires a Co-Axial to Co-Linear appliance Adapter, two lengths of 2-ply 3" dia. flexible chimney liner approved for venting gas appliances, a co-linear termination kit and flashing or a co-linear to co-axial adapter and either a high wind vertical vent terminal cap or a low profile vertical termination. *Firebox top zero clearance stand-offs supplied with the heater are not required for this application.*

Rules for Co-Linear Venting

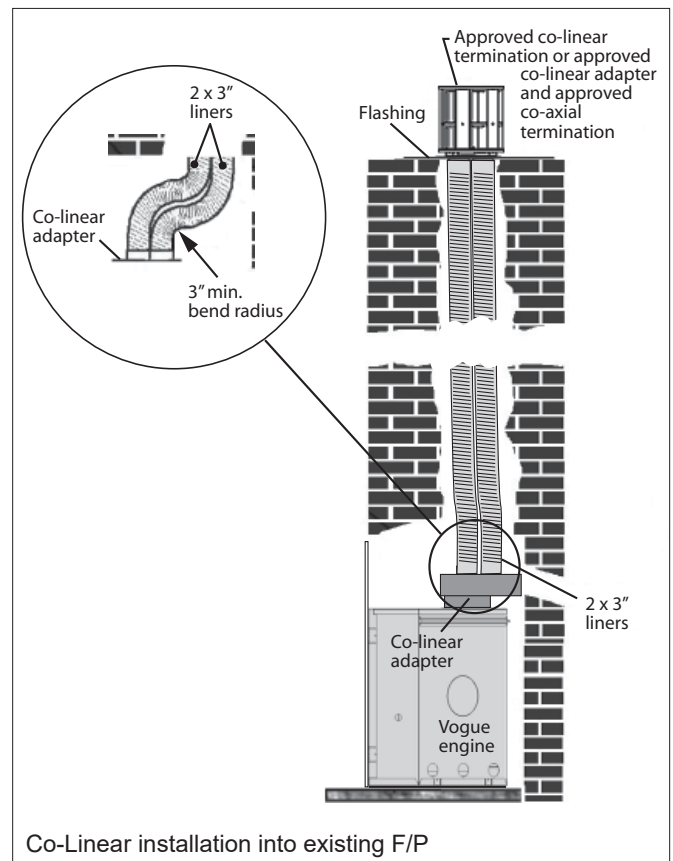
- Maximum 40 feet vertical pipe
- Minimum 10 feet vertical
- Maximum offset 8 feet with liners at minimum 45 degrees from horizontal plane
- Restrictor: Use #4 position for all co-linear installations—refer to page 32 for restrictor positioning.



Dura-Vent #46DVA-GCL
Co-Axial to Co-Linear Adapter

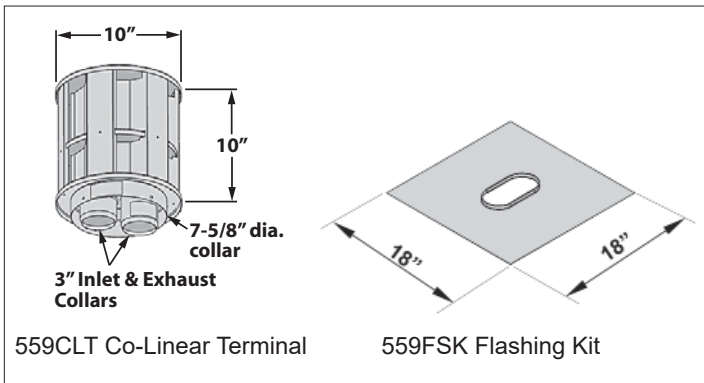


Ventana with co-linear adapter

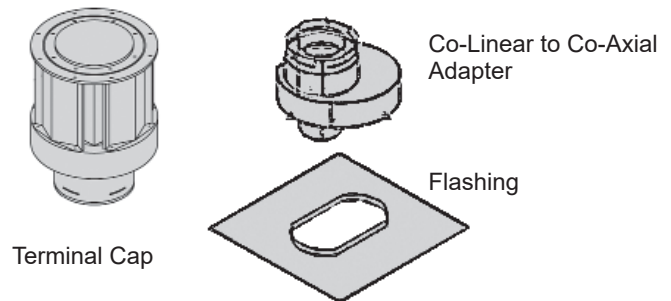


Co-Linear installation into existing F/P

Co-linear terminal configurations



Alternate to 559CLT/559FSK Conversion



Installation Planning

Installer—READ THIS FIRST

Only qualified licensed or trained personnel should install this appliance.

BEFORE YOU START, YOU NEED TO KNOW FROM THE HOMEOWNER:

- The height of the floor or hearth finish;
- The thickness and type of the wall finish around the firebox opening;
- What accessories (surround, door, etc.) will be installed with this fireplace if any;
- The venting configuration.

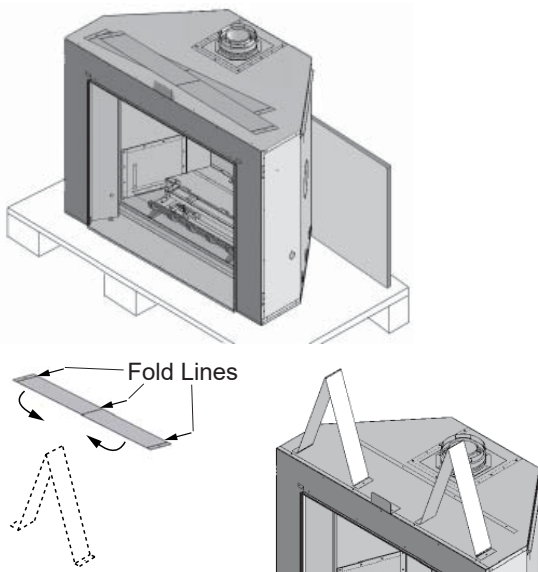
1. Unpack the appliance.
2. Check that you have everything.
3. Finish framing.
4. Fit appliance into framing.
5. Remove overlay, barrier screen bottom brackets and fix the appliance to the floor.
6. Reinstall overlay and screen bottom brackets.
7. Install venting system.
8. Install restrictor.
9. Connect and test gas supply.
10. Install bricks and logs.
11. Refit window.
12. Connect electrical wiring for decorative light.
13. Install optional wall switch if required.
14. Put batteries in receiver and remote control handset.
15. Perform initial remote control set-up.
16. Verify operation and adjust aeration settings.
17. Install the remote control handset wall holder.
- 18. Instruct the homeowner on the operation and maintenance of the fireplace.**
19. Install the window skirt.
20. Install the control access doors.
21. Install the andirons and fret if required.
22. Finish the wall around the fireplace.
23. Install the surround/doors/mantel if required.
- 24. Install the barrier screen.**

Unpack the appliance

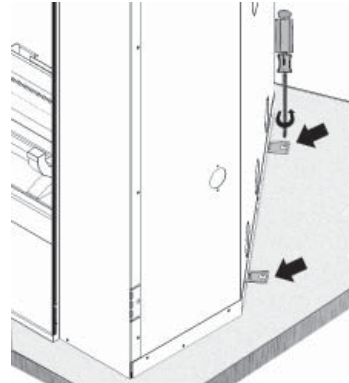
To assist you, we have included the cement and hearth insulation boards required in the installation. The boards need to be removed and reinstalled with care. Two of the boards are fixed temporarily to the back of the appliance for transportation purpose. When disassembling the crate into which the appliance is located, be careful not to damage these boards.

Beware of sharp edges! Wear gloves!

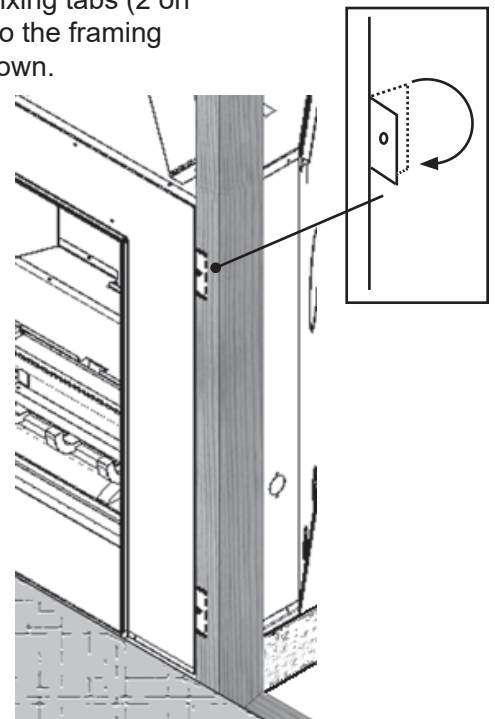
1. Remove the cardboard wrapping and the wood pallet from the appliance and discard.
2. Remove the cement board and hearth insulation board from the rear of the appliance and *set aside with screws* for future use.
3. Remove the cement boards from the front of the appliance and *set aside with screws* for future use. These boards must be removed to allow space to fix the fireplace to the framing through its four side tabs.
4. Unpack any loose items from around the appliance.
5. Remove the window and set aside in a safe place to avoid damage—see next page.
6. **Verify that you have all the components required for the installation, including:**
 - **brick panels (in separate carton);**
 - **surround/doors/fret/andirons;**
 - **venting components and accessories;**
 - **electrical components for installation of the decorative light wall switch.**
7. The standoffs are supplied flat on the firebox and fixed at one end. Bend them as shown and fix the loose end to the top of the firebox.



8. Remove the 4 screws retaining the engine to its pallet.



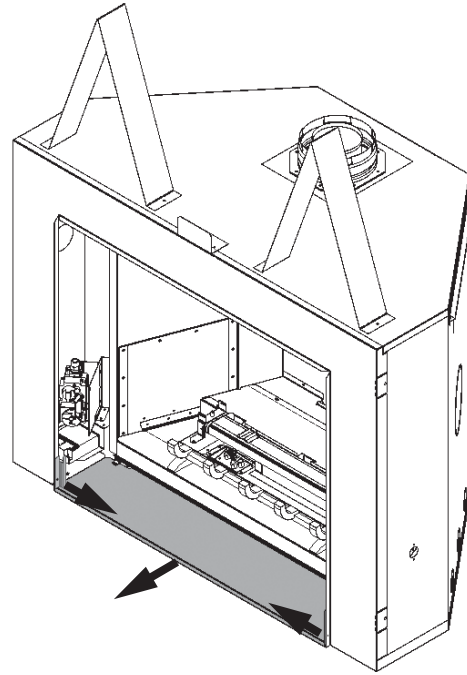
9. On each side of the appliance, bend out the 2 fixing tabs.
10. Taking great care not to cut your hands on the sheet metal edges, lift the appliance out of its packing base and place in the framing. *Make sure that the unit is at the right height with consideration to the trim and the height of the hearth or combustible flooring.*
11. Secure the fixing tabs (2 on each side) to the framing studs as shown.



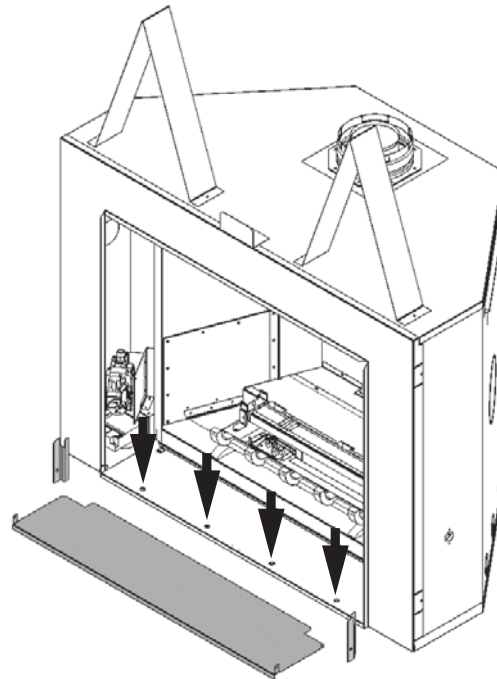
12. Re-install the cement boards on each side and on top of the firebox opening re-using screws removed in 2. and 3.
13. Incorporate the hearth insulation board in the construction of the hearth as required, following the guidelines provided in the *Hearth Requirements* section of this manual.

Fix the appliance to the floor

1. Remove the front bottom overlay panel and the barrier screen lower brackets by removing 1 screw on each side and sliding the panel out from under the firebox.



2. Screw the appliance to the floor with 4 countersunk wood or cement screws (not provided).



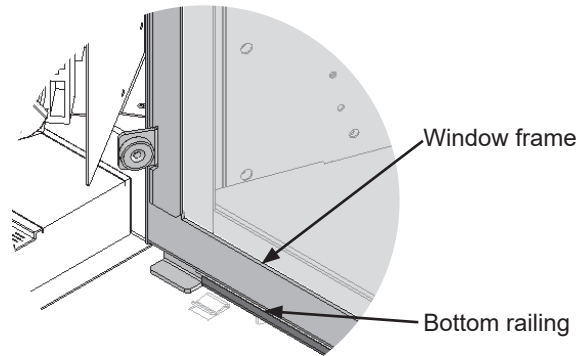
3. Reinstall the overlay panel sliding it in the clips under the edge of the firebox. Add the barrier screen brackets and fix them with the overlay back to the bottom sides of the opening frame with 1 screw on each side.

Installation

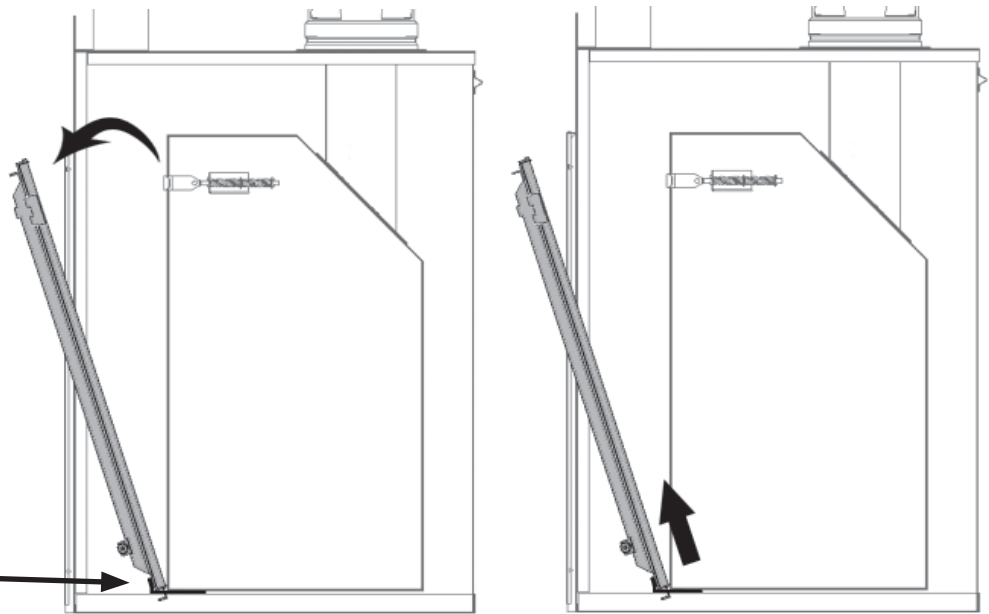
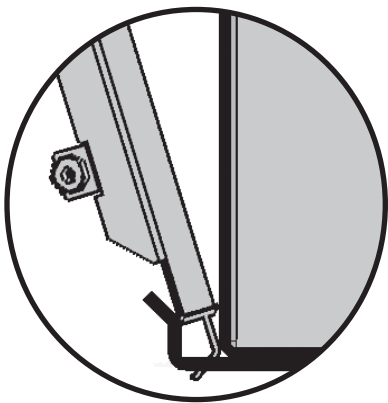
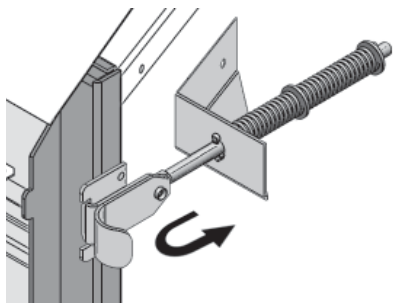
Remove Window

The window is held in place by a spring-loaded lever on each side.

1. To remove the window, locate the levers on each side of the window towards the top. Using your finger, pull the lever towards you and unhook it from the window frame bracket.
2. Gently pull the top of the window outward.
3. Lift the window out of its bottom railing and set it aside in a safe place to avoid damage.

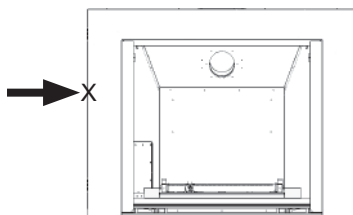


Section Views



Connect Gas Supply

The gas supply inlet connection is a 3/8 inch NPT male connector and is located on the left hand side of the firebox.



Use only new black iron or steel pipes or copper tubing if acceptable—check local codes. Note that in USA,

copper tubing must be internally tinned for protection against sulfur compounds.

Unions in gas lines should be of ground joint type.

The gas supply line must be sized and installed to provide a supply of gas sufficient to meet the maximum demand of the appliance without undue loss of pressure.

Sealant used must be resistant to the action of all gas constituents including LP gas. Sealant should be applied lightly to male threads to ensure excess sealant does not enter gas lines.

Installation

The unit is supplied with a stainless steel flex line to allow the appliance to be disconnected for service. The flex line is supplied loose to avoid damage during shipping. Connect the flex to the appliance valve as shown below. An individual shut-off valve (not supplied) is required on the supply line ahead of the flex connector.

Pressure test the supply line for leaks.

The appliance and its individual shut-off valve must be disconnected from the gas supply piping system during any pressure testing of that system at test pressures in excess of 1/2 psig (3.5 kPa).

The appliance must be isolated from the gas supply piping system by closing its individual manual shut-off valve during any pressure testing of the gas supply piping system at test pressures equal to or less than 1/2 psig (3.5 kPa).

Failure to either disconnect or isolate the appliance during pressure testing may result in regulator or valve damages and void the warranty. Consult your dealer in case of damages.

Pressure Test Points

The minimum supply pressure is given in the section *Specifications* of this manual—page 20.

All piping and connections must be tested for leaks after installation or servicing. All leaks must be corrected immediately.

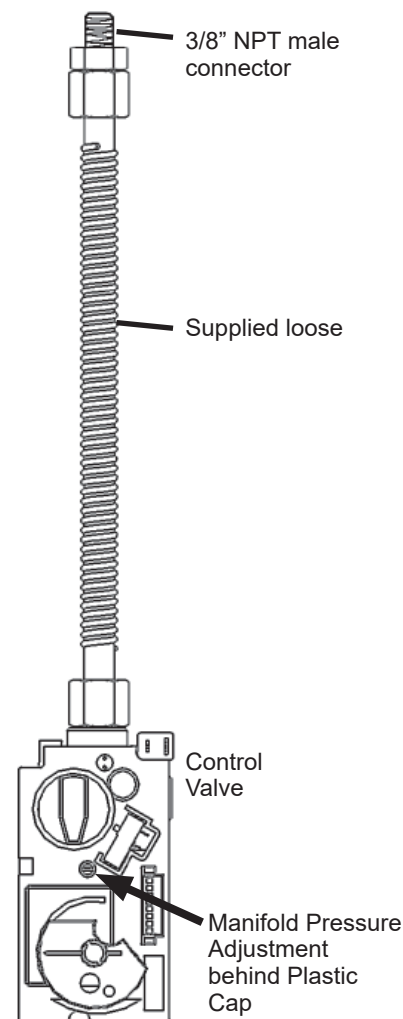
When testing for leaks:

- Make sure that the appliance is turned off.
- Open the manual shut-off valve.
- Test for leaks by applying a liquid detergent or soap solution to all joints. Bubbles forming indicate a gas leak.

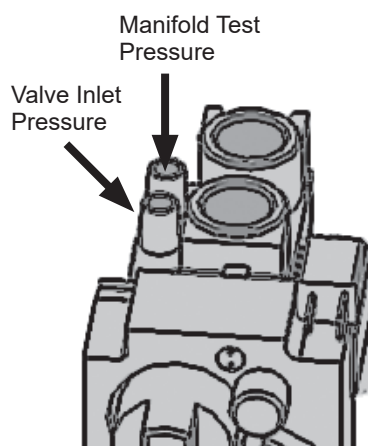
Never use an open flame to check for leaks.

Correct any leak detected immediately.

The pressure test tapping locations are shown in the figures on the right. An internal regulator within the valve controls the burner manifold pressure. The correct pressure range is shown in the table in section *Specifications* of this manual on page 20. The pressure check should be made with the burner alight and at its highest setting. See *Lighting Instructions* section for full operating details on page 17.



Valve Assembly



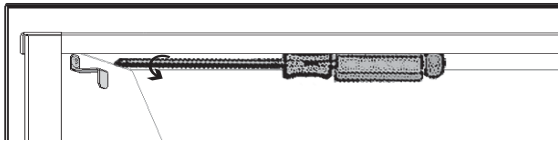
Pressure Testing

Installation

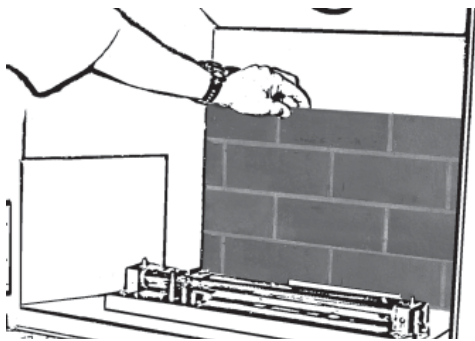
Install Liners

The following guidelines apply for all brick liners.

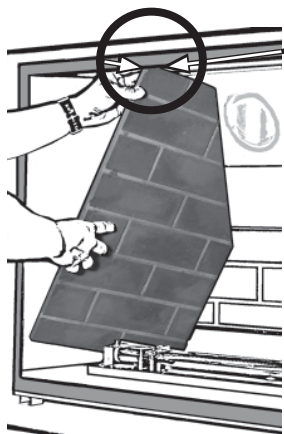
1. Inside the firebox, on the top of each side, release the screw of the side brick anchors (one per side).



2. Place the rear panel against the back of the firebox, behind the retainer at bottom.

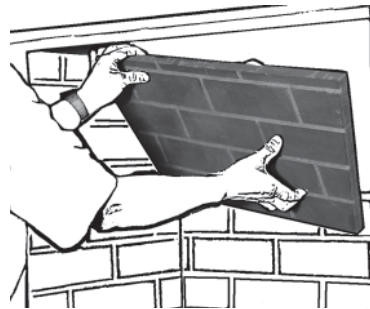


3. Hold the left hand side panel at an angle and insert it totally inside the firebox, **behind the top outer edge of the firebox**. This will greatly facilitate the installation. Slide the bottom first and then the top against the side of the firebox. Rotate the side brick anchor to hold the panel in place.

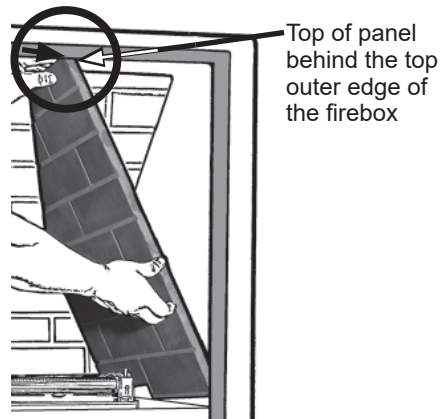


Top of panel behind the top outer edge of the firebox

4. Place the top panel over the top edge of the rear and side panels. Leave the panel to balance there until right hand side panel is installed.



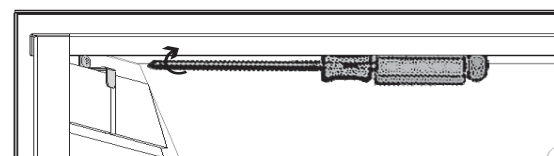
5. Hold the right hand side panel at an angle and insert it totally inside the firebox, **behind the top outer edge of the firebox**. This will greatly facilitate the installation. Slide the bottom first and then the top against the side of the firebox. You may have to lift the top panel slightly to avoid scratching it. Rotate the side brick anchor to hold the panel in place.



6. Make any adjustment by moving the rear top panel slightly.



7. Tighten the side brick anchors on each side of the firebox.

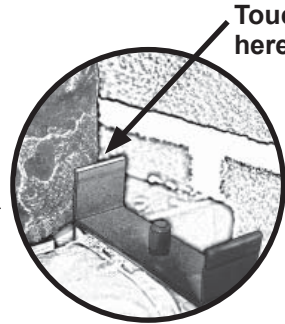
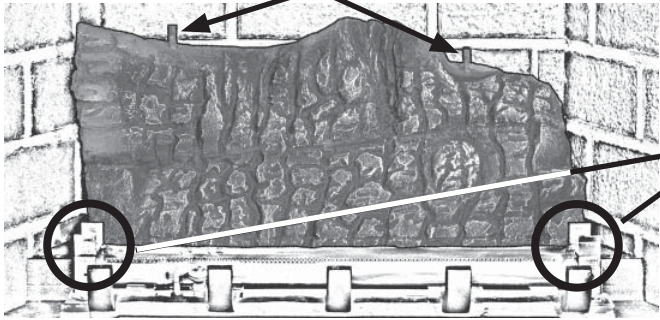


Install Ceramic Logs

The ceramic logs are supplied in two packages. Unpack them very carefully to avoid damaging the fragile material. Install the logs as shown below. Please note that **the position of the Logs is critical to insure proper performance of the appliance.**

1. Place the Rear Log on the rear log support behind the burner. Pull log forward until it contacts at ends. See detailed view.

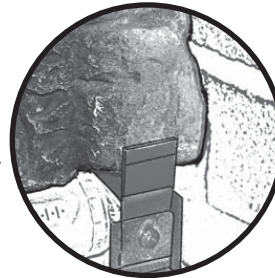
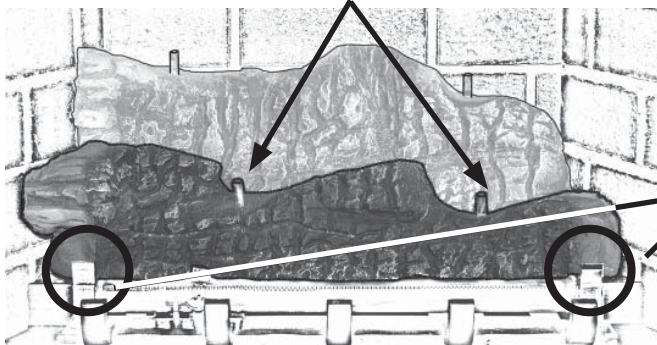
Pins for Top Left and Right Logs



Rear Log position against the back of middle log support

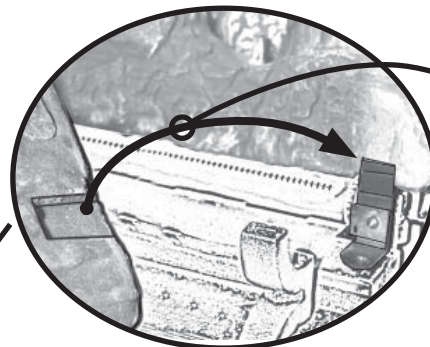
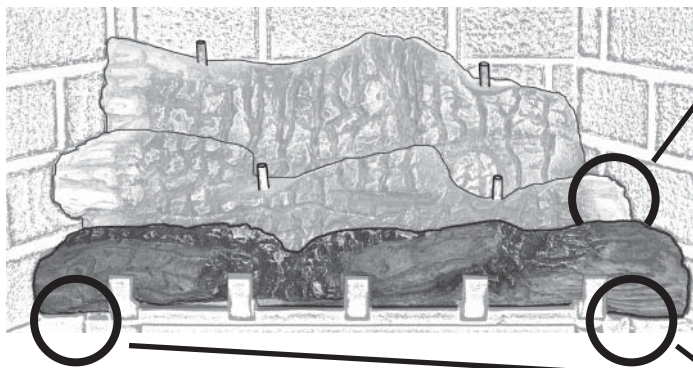
2. Place the Middle Log on the pins of the middle log support on the burner. Move the log slightly forward so it sits against the front tabs of the log support. See detailed view.

Pins for Middle Left and Right Logs

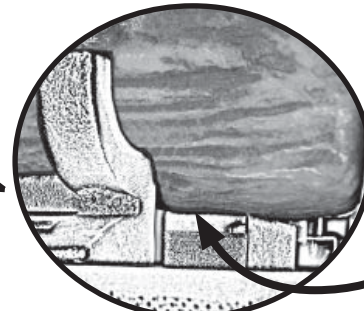


Middle Log position on pins at each end

3. Place the Front Log behind the grate with its rear right notch on the middle log's support front tab. The log must also be flat against the burner plate. See detailed views.



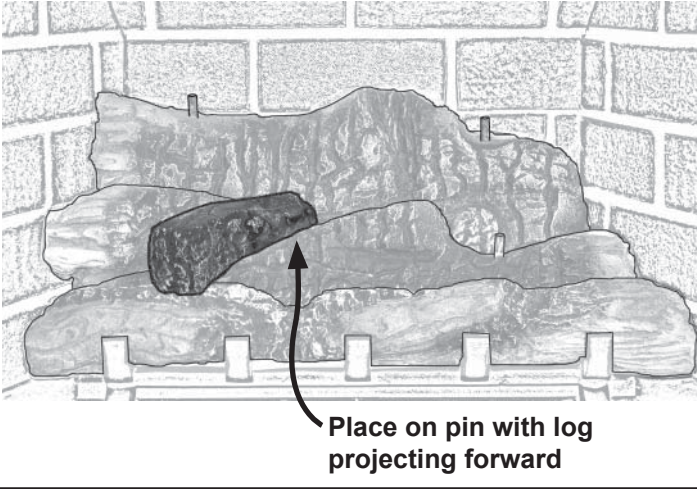
Notch in back side of log lines up with bracket



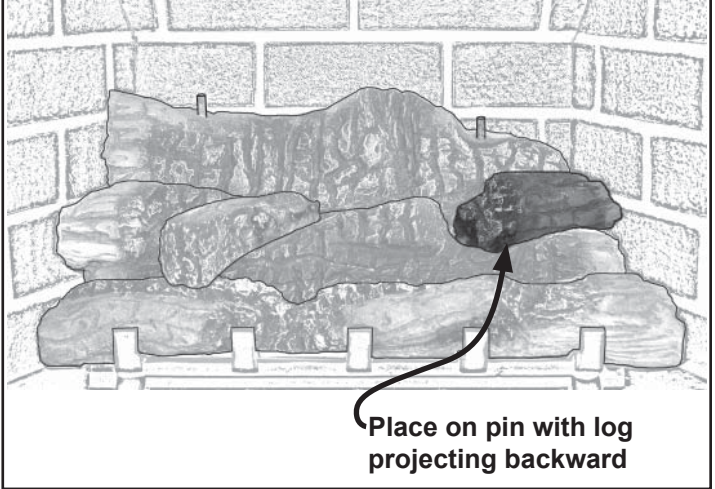
Front Log bottom should contact sheet metal below

Installation

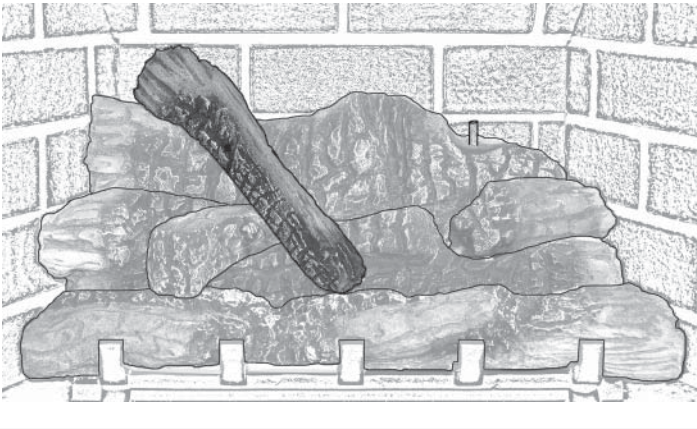
4. Place the narrow end of the Middle Left Log on the left pin of the middle log with its wider end resting on the front log.



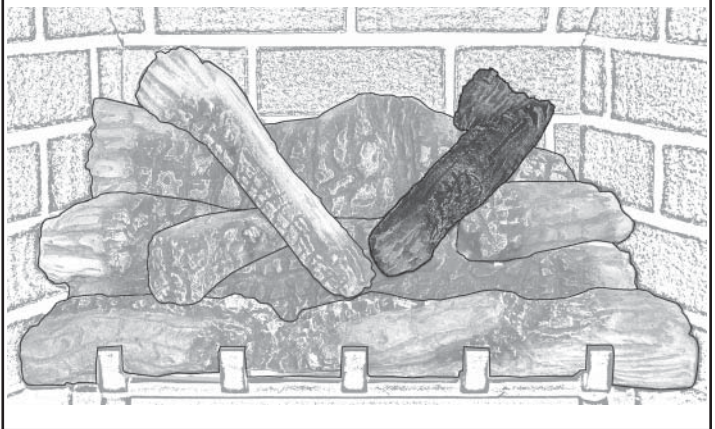
5. Place the charred end of the Middle Right Log on the right pin of the middle log with its lighter end resting on the notch on the far right of the rear log.



6. Place the Top Left Log on the left pin of the rear log with its end resting on the middle left and front logs.

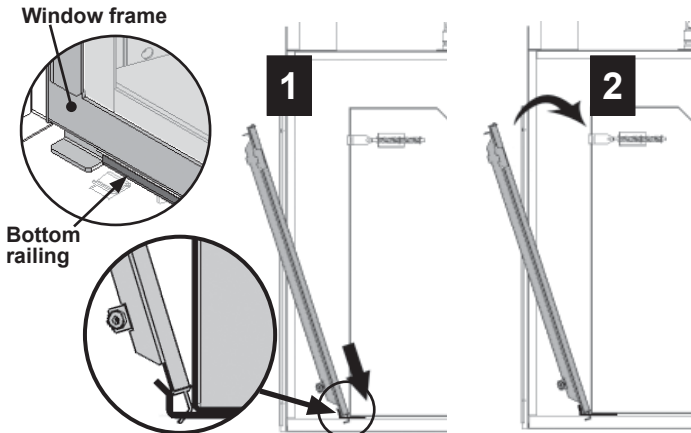


7. Place the Top Right Log on the right pin of the rear log with its narrow end resting on the middle and the middle right logs.

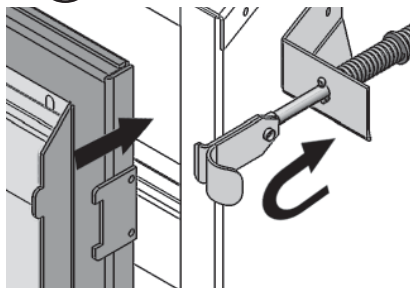


Refit and Check Window

1. Place the window in its bottom railing. **Ensure to remove any particles in the railing before installing the window.**
2. Push the top of the window frame against the firebox.




3. While you hold it, pull and hook the side levers back to the window brackets on each side.



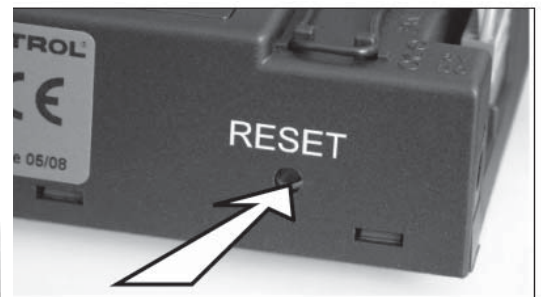
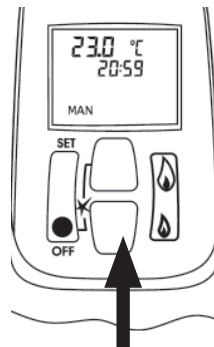
4. Apply firm hand pressure around the window frame to ensure the window is sealed tight against the firebox.

Synchronize Remote Control

The receiver and the handset of the remote control system must be initially synchronized before the first use.

1. Insert alkaline batteries in the remote control receiver and handset. The receiver is located left of the firebox.
2. With a sharp object, press and hold the receiver's reset button until you hear one short and one long beeps. Release the reset button after the second beep.
3. Within the subsequent 20 seconds, press the small flame button () on the remote handset until you hear two short beeps confirming the synchronization is set.

This is a one time setting only and is not required when changing the batteries in the remote receiver. The remote control system is now ready to use.



DANGER

The window unit must be correctly installed, fastened and sealed after servicing or serious bodily injury and/or damage to the appliance may result.

To ensure a safe operation:

- Double-check that the bottom of the window frame is correctly installed in the bottom support railing;
- Verify that the levers are hooked properly to the window tabs then;
- Pull out the top of the window and release it to insure the springs return it;
- Ensure the window is sealed before operation.

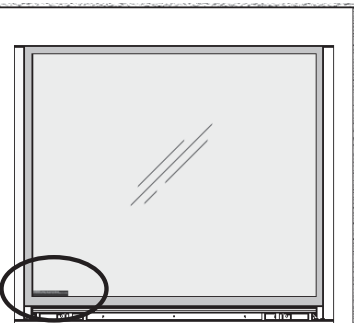
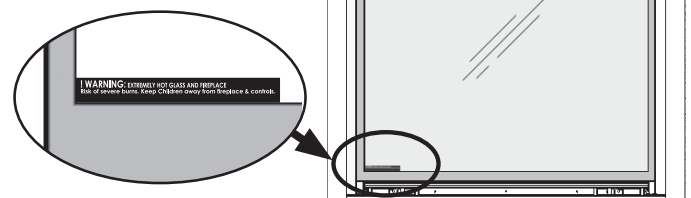
WARNING

Failure to install the window correctly can leak carbon monoxide, affect the performance of the fireplace, damage components, cause overheating resulting in dangerous conditions. Damage caused by incorrect window installation is not covered by the Valor warranty.

5. If the Hot Glass Warning plate has been removed from the front lower corner of the window, reinstall it by sliding it between the glass and the frame as indicated.

! WARNING: EXTREMELY HOT GLASS AND FIREPLACE
Risk of severe burns. Keep Children away from fireplace & controls.
! AVERTISSEMENT: VERRE ET FOCES EXTREMEMENT CHAUDES
Risque de brûlures graves. Éloigner les enfants de la cheminée et des commandes.

Hot Glass Warning Plate



Installation

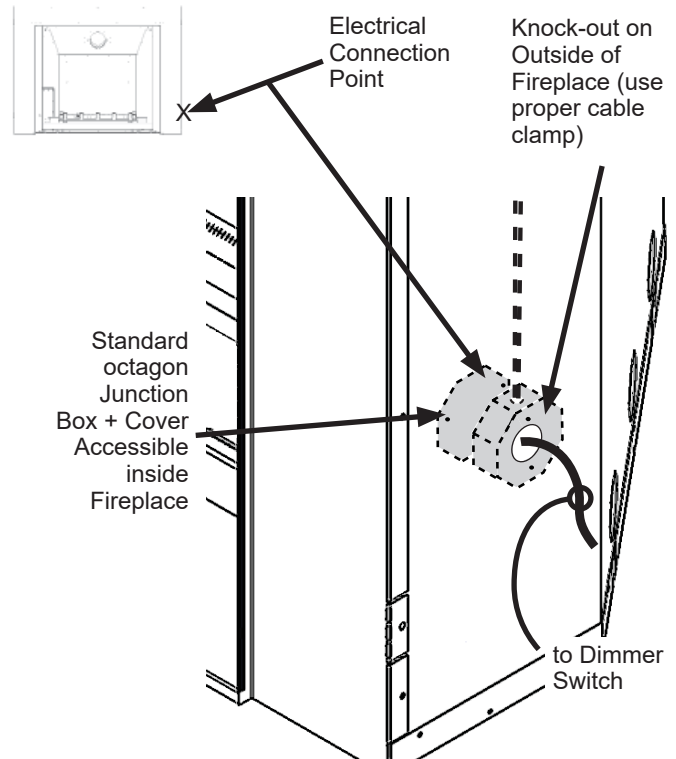
Install Electrical Components for Decorative Lighting

Wall Dimmer Switch

The electrical installation must be performed by a qualified installer and must be electrically wired and grounded in accordance with local codes, or, in the absence of local codes, with the *National Electrical Code, ANSI/NFPA 70* or the *Canadian Electrical Code, CSA C22.1*.

The fireplace is equipped with a decorative light located in front of and above the window. The light is pre-wired to a junction box on the right hand side, inside the fireplace. A switched power supply to the knock-out on the right hand side is required to complete the installation. A dimmer is recommended—see specifications below.*

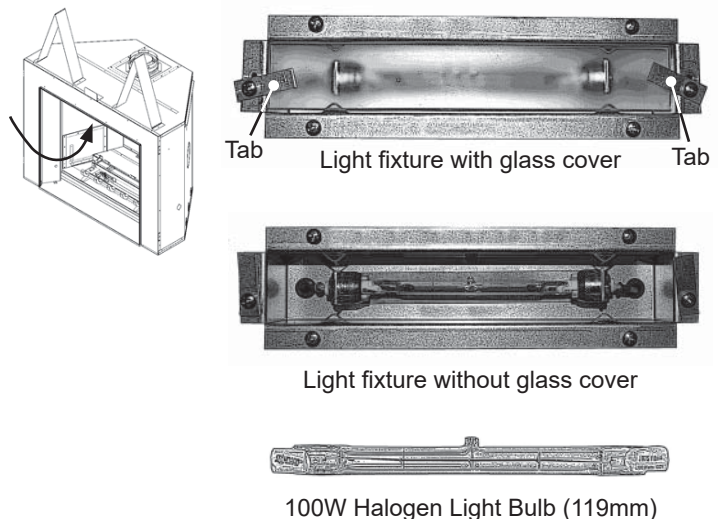
1. Turn the power off at the fuse box.
2. Decide where the dimmer will be located. If you are not sure, check with the homeowner.
3. Install the outlet box and connect the dimmer to the electrical wiring (all components—not supplied—available from your local electrical hardware store).
4. Locate the electrical wire in the junction box inside the firebox outer lining, on the right hand side. Remove its cover.
5. Run the electrical wires from the dimmer and thread it through the knock-out of the firebox to the junction box.
6. In the junction box, hardwire the harness to the electrical wire. Refit the junction box cover. Outside the firebox, fit a cable clamp.
7. Fit the cover plate to the wall (not supplied).



*** Recommended Dimmer Switch (not supplied):**
Switch Type: Single-Pole
Type: Electro-Mechanical none preset or Preset
Load Rating: 600W
Voltage: 120 Volt AC 60 Hz
Action: Standard ON/OFF
Protection: Radio/TV Filter
Standards and Certifications: UL/CSA

Fitting the Decorative Light bulb

1. Locate the decorative light fixture inside the firebox top, just in front of the window.
2. Loosen the screws of the tabs located on each side of the decorative light fixture.
3. While holding the glass cover, turn on of the retaining tabs to free the glass.
4. With a gloved hand, take the halogen light bulb from its packaging and insert in the light fixture.
5. Turn the power back on at the fuse box.
6. Turn on the dimmer switch to ensure good function and then, turn it off.
7. Put the glass cover back in place and, while holding it, turn the retaining tabs back to cover the glass edges.
8. Tighten the tabs screws.



Installation

Check Operation

Turn the fireplace flame up and down using the remote control to confirm that the full range of inputs is achieved—see the remote control operation instructions on pages 11–15.

Adjust Aeration (if necessary, NG units only)

(LPG units do not have any primary air adjustment.) Light the fire and allow the unit to warm up for 11–15 minutes to evaluate the flame picture. Natural gas burners are equipped with an adjustable shutter to control primary aeration. See the figures below. The shutter is factory-set to an aeration gap which will give optimum performance for the vast majority of installations.

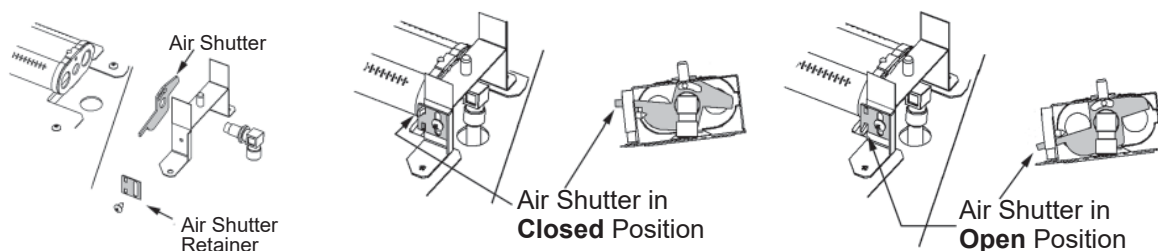
In a few unusual installations, the flame picture may be improved by adjusting the aeration. The need for adjustment should be determined only by operating the appliance with the ceramic logs and window installed.

Increasing aeration will cause the flames to appear more transparent and blue showing more ceramic log glow.

Decreasing aeration will cause the flames to appear more yellow or orange showing less ceramic log glow.

Too little aeration may result in black carbon forming and dropping into the firebox.

Air Shutter (NG units only)

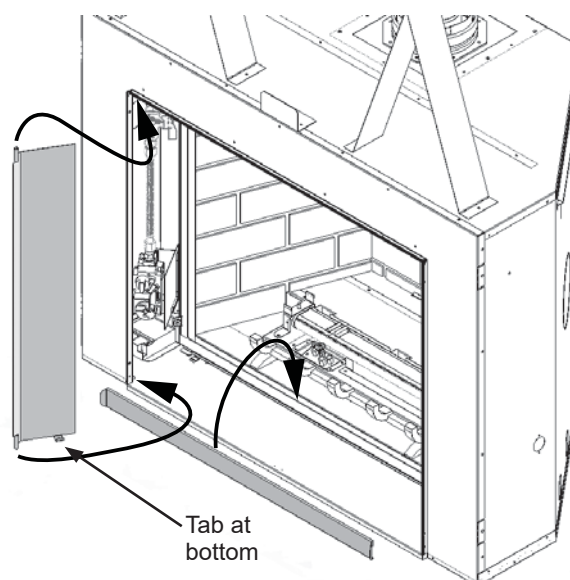


Install Window Skirt and Side Doors

The fireplace comes equipped with a window skirt to hide the underside of the firebox and two side steel doors to hide the gas and electrical controls.

1. To install the window skirt, simply hook it to the bottom frame of the window as indicated.
2. Sort the left hand side and the right hand side doors—the tab to open the door should be towards the outside at the bottom. Take one door and locate the top hinge pin in the holed bracket located inside the top front of the outer firebox liner.
3. Slide the door up as much as possible and fit the lower hinge pin in the bottom hole.
4. Repeat with the other door.

The doors should be maintained closed by a magnet on each side of the window frame.

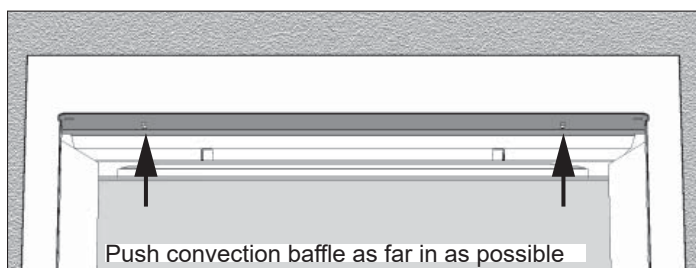


Install Barrier Screen to the Appliance

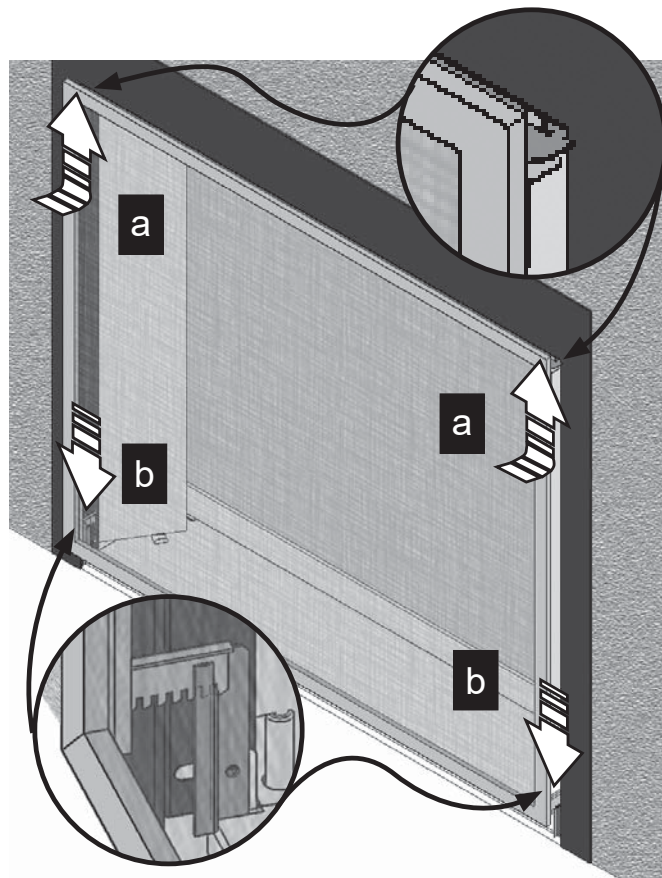
A barrier screen is supplied with this appliance to install in front of the window. The barrier screen is designed specifically to prevent any contact with the glass of the fireplace which becomes hot during operation and remains hot when cooling.

To install the screen:

1. Once the trim is installed on the fireplace or the wall finish is done around the opening of the fireplace, adjust the convection baffle at the top of the opening of the fireplace by releasing the two screws holding it and pushing it as far in as possible. Tighten the screws.



2. Hook the barrier screen's top tabs in the slots of the convection baffle (a).
3. Push the screen up and hook the bottom serrated tabs to the brackets at the bottom of the fireplace opening (b).

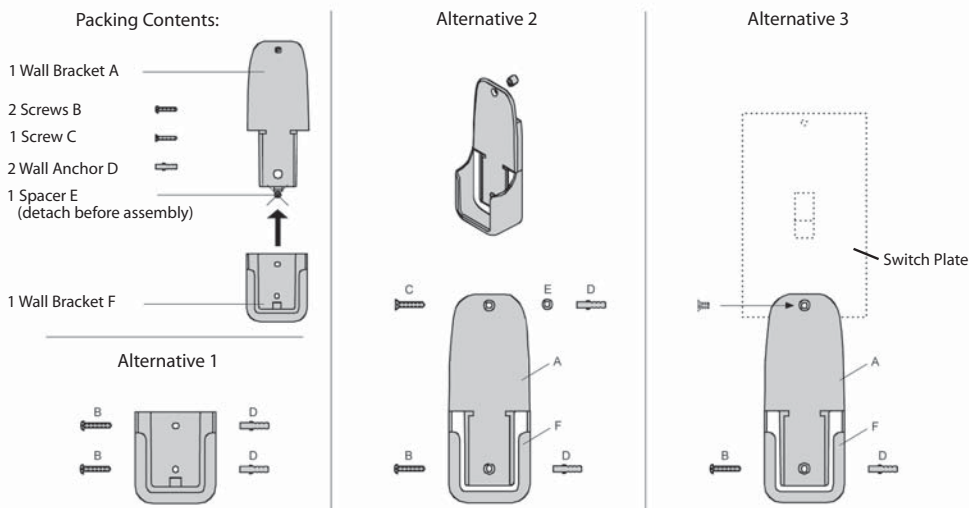


Install Handset Wall Holder

The remote control kit for this fireplace comes complete with a wall-mounted holder. This holder is not required in all installations but is provided as an optional feature for those customers who wish to mount the remote handset to the wall.

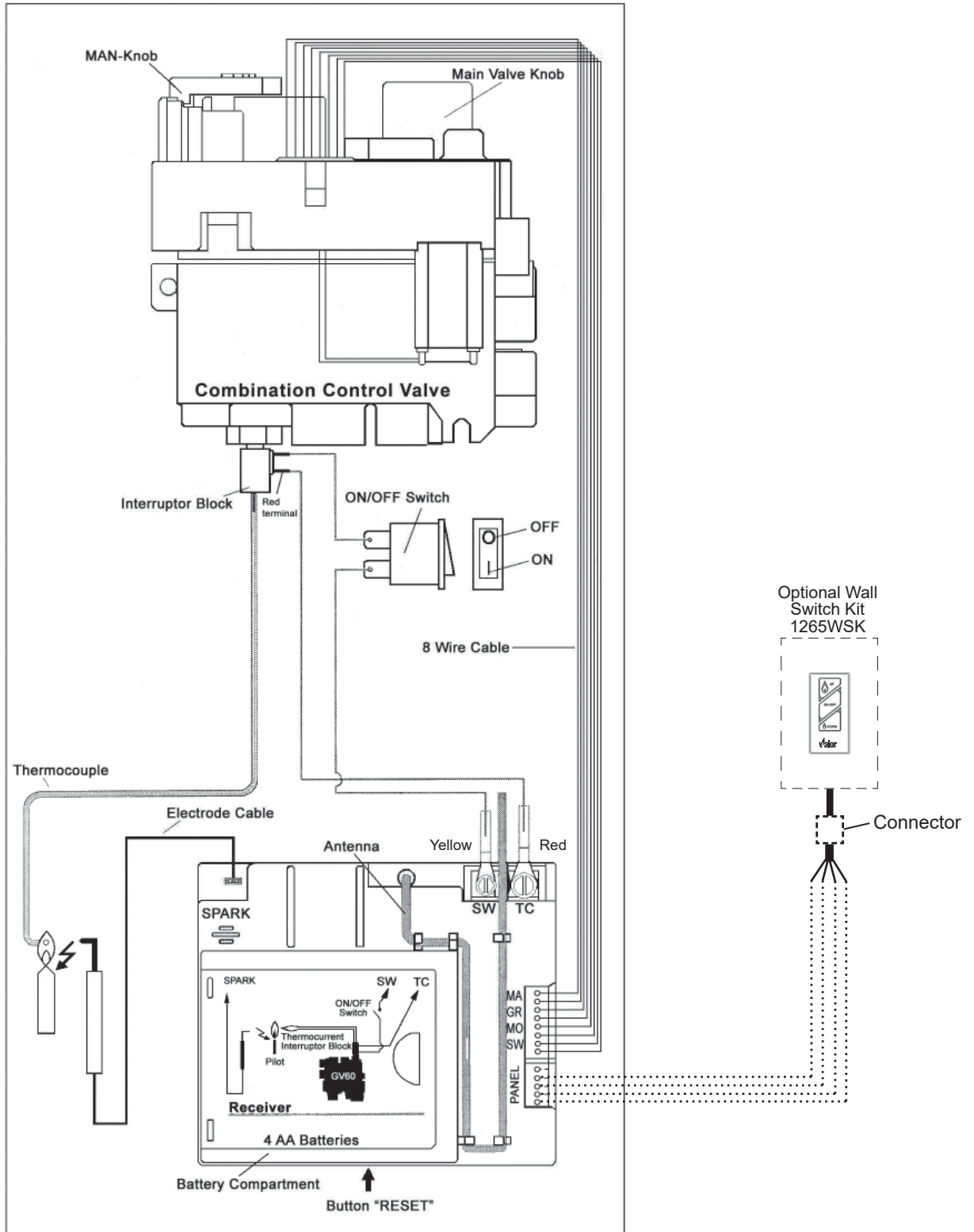
To install the holder to the wall, find a convenient location and use the hardware provided with the kit. See the diagram below for required hardware and configurations. Note that the holder can be installed at the base of a light switch plate.

IMPORTANT. The location of the remote control handset is important to assure proper temperature regulation. To obtain a constant temperature, we recommend that the handset should be between 3 and 15 feet away from the appliance **but not directly above it**. We also advise that the handset should be located away from any other heat source and not in direct sunlight as this may affect the temperature sensor located in the remote handset.





Wiring Diagram

**QUALIFIED
INSTALLER**



GV60 Wiring Diagram

Approved Venting Components

Approved Direct Vent Suppliers for Valor Models 1100, 1150, 1200 ⁵ , 1400, 1500, 1600 ⁵ and 1700 ⁶											
		  Venting Parts Description		Venting Parts Code / availability by Manufacturer							
				DURA-VENT	SELKIRK	ICC EXCEL DIRECT	SECURE VENT	RLH INDUSTRIES	AMERIVENT	MILES INDUSTRIES	BDM
Termination Caps	Horizontal	Standard Co-axial	46DVA-HC	4DT-HC	TM-4HT	—	—	4DHC round	658DVK2	940160	
		Deluxe Co-axial	—	—	TM-4DHT	—	—	4DHCS square	—	940160	
		High Wind Co-axial	—	—	—	SV4CHC	—	—	—	—	
	Vertical	Standard Co-axial	46DVA-VC	4DT-VC	TM-4VT	—	HSDV4658-1313	4DVC	—	940264	
								4DH-1313		940364	
								—		940206LP	
		High Wind Co-axial	46DVA-VCH	—	—	SV4CGV	—	—	—	—	
		Extended Co-axial	46DVA-VCE	—	—	—	—	—	—	—	
		Co-linear	46DVA-CL33 46DVA-CL33H 46DVA-CL34 46DVA-33P 46DVA-CL34P	—	—	3PDVCV	—	HS-C33U-99 HS-C33F-1313	HCL-99-33	559CLT	940033B
									HCL-913-33		940034B
HCL-1313-33	940033HWS										
—	940033RD										
Snorkel, 14" Rise	46DVA-SNK14	4DT-ST14	TM-4ST14	—	—	—	4D14S	—	94040614		
Snorkel, 36" Rise	46DVA-SNK36	4DT-ST36	TM-4ST36	—	—	—	4D36S	—	94040636		
Vent Adapters / Couplers	Universal Adapter 3" Flex Coupler	2150	—	TM-CFAA3	—	—	—	—	95090390		
	Co-linear Flex Connector	46DVA-ADF	—	—	—	—	—	—	—		
	Co-axial-to-Co-linear Adapter	46DVA-GCL ⁶	—	TM-4CAA ⁶	—	—	4DCAB33 ⁶	1156CLA ^{5, 6}	940106433 ⁶		
	Co-linear-to-Co-axial Adapter	46DVA-GK	—	TM-4CTA	—	—	4DCAT33	—	—		
Aluminum Flexible Liner	3" or 4" diameter		NOTE: 2-ply liner approved to CAN/ULC S635 suitable for venting gas appliances. As manufactured by Z-Flex, Flexmasters or others.								
			2280 Series	AF3-35L	—	—	—	—	—	952703 952704	
Adjustable Pipe Length 4" x 6-5/8"	4" to 10"	Galvanized	—	4DT-ADJ	—	—	—	4D7A or 4D7AB (3" to 5")	—	94610608 (4" to 8-1/2")	
		Black		4DT-ADJ(B)							
	1-1/2" to 6"	Galvanized	—	—	—	—	SV4LA SV4LBA	—	4D12A or 4D12AB (3" to 10")	—	94610616 (4" to 16")
		Black									
	1-1/2" to 12"	Galvanized	—	—	—	TC-4DLT TC-4DLTB	SV4LA12 SV4LBA12	—	4D16A or 4D16AB (3" to 14")	—	—
		Black									
1-1/2" to 24"	Galvanized	—	—	—	—	SV4LA24 SV4LBA24	—	4D26A or 4D26AB (3" to 24")	—	—	
	Black										
DV 45° Elbows	Galvanized	46DVA-E45	—	TE-4DE45	—	—	—	4D45L	—	94620645	
		Black	46DVA-E45B	—	TE-4DE45B	SV4EBR45	—	—	4D45LB	—	94620645B
	Galvanized Swivel	—	—	4DT-EL45 4DT-EL45(B)	—	—	SV4E45 SV4EB45	—	—	—	—
DV 90° Elbows	Galvanized	46DVA-E90	—	TE-4DE90	—	—	—	4D90L	—	—	
		Black	46DAV-E90B	—	TE-4DE90B	SV4EBR90	—	—	4D90LB	—	—
	Galvanized Swivel	—	—	4DT-EL90 4DT-EL90(B)	—	—	SV4E90 SV4EB90	—	—	—	94620690
											Black Swivel

Approved Venting Components

**QUALIFIED
INSTALLER**

Venting Parts Description			Venting Parts Code / availability by Manufacturer							
			DURA-VENT	SELKIRK	ICC EXCEL DIRECT	SECURE VENT	RLH INDUSTRIES	AMERIVENT	MILES INDUSTRIES	BDM
Pipes 4" x 6 5/8" (ID x OD)	6" long	Galvanized	46DVA-06	4DT-06	TC-4DL6	SV4L6	—	—	—	94610606
		Black	46DVA-06B	4DT-06(B)	TC-4DL6B	SV4LB6	—	—	—	90410606B
	7" long	Galvanized	—	—	—	—	—	4D7	—	—
		Black	—	—	—	—	—	4D7B	—	—
	9" long	Galvanized	46DVA-09	4DT-09	—	—	—	—	—	94610609
		Black	46DVA-09B	4DT-09(B)	—	—	—	—	—	94610609B
	12" long	Galvanized	46DVA-12	4DT-12	TC-4DL1	SV4L12	—	4D12	—	94610612
		Black	46DVA-12B	4DT-12(B)	TC-4DL1B	SV4LB12	—	4D12B	—	94610612B
	18" long	Galvanized	46DVA-18	4DT-18	—	—	—	—	—	94610618
		Black	46DVA-18B	4DT-18(B)	—	—	—	—	—	94610618B
	24" long	Galvanized	46DVA-24	4DT-24	TC-4DL2	SV4L24	—	4D2	—	94610624
		Black	46DVA-24B	4DT-24(B)	TC-4DL2B	SV4LB24	—	4D2B	—	94610624B
	36" long	Galvanized	46DVA-36	4DT-36	—	SV4L36	—	4D3	—	94610636
		Black	46DVA-36B	4DT-36(B)	—	SV4LB36	—	4D3B	—	94610636B
	48" long	Galvanized	46DVA-48	4DT-48	TC-4DL4	SV4L48	—	4D4	—	94610648
		Black	46DVA-48B	4DT-48(B)	TC-4DL4B	SV4LB48	—	4D4B	—	94610648B
Flashings	Roof Flashing 0/12-6/12		46DVA-F6	4DT-AF6	TF-4FA	SV4FA	—	4DF (0/12-5/12)	—	949606012
	Roof Flashing 7/12-12/12		46DVA-F12	4DT-AF12	TF-4FB	SV4B	—	4DF12 (6/12-12/12)	—	949606712
	Flat Roof Flashing		46DVA-FF	—	TF-4F	SV4F	—	—	559FSK	949606001
	Masonry Flashing		—	—	TF-4MF	—	—	—	—	—
	New Siding Flashing		—	—	—	—	—	—	658NSFK	—
Various Venting System Parts	Wall Thimble		46DVA-WT	4DT-WT	TM-4WT	SV4RSM	—	4DWT	—	949064U
	Storm Collar		46DVA-SC	4DT-SC	TM-SC	SV4AC	—	4DSC	—	94960608
	Decorative Plate		46DVA-DC	4DT-CS	TM-4TR	SV4PF	—	4DFPB	—	94940612
	Cathedral Ceiling Support		46DVA-CS	4DT-CCS	—	—	—	4DRSB	—	949506KT
	Ceiling Firestop / Floor Support		46DVA-FS	4DT-FS	TM-CS	SV4BF SV4SD	—	4DFSP	—	94980612
	Attic Radiation Shield / Firestop		—	—	TM-4AS	—	—	4DAIS12 (12") 4DAIS36 (36")	—	94930620A
	Wall Strap		46DVA-WS	4DTWS	TM-WS	—	—	4DWS	—	949164
	Vinyl Siding Standoff		46DVA-VSS	4DT-VS	TM-VSS	SV4VS	—	4DHVS	—	94800615S
	Elbow Strap / Offset Support		46DVA-ES	4DT-OS	TM-OS	—	—	—	—	949264
	Terminal Guard		46DVA-WG	—	—	—	—	—	845TG 658TG	940164SHRD

- Notes:**
1. Follow instructions supplied with each manufacturer's components.
 2. Unless otherwise specified, all the parts and assemblies from the above table are to be used with 4" x 6-5/8" pipes.
 3. **Do not mix components from different vent manufacturers.**
 4. Termination caps manufactured by RLH Industries or American Metal Products are from Homestyle Chimney Collection and can be ordered in one of the following finishes: a) aluminium; b) black powder coated; c) solid copper.
 5. Miles Industries Valor Co-linear adapter 1156CLA cannot be used with models 1200 and 1600. Use only with models 1100, 1150, 1400, 1500 and 1700.
 6. Only Miles Industries Valor Co-linear adapter 1156CLA can be used with models 1700.

Warranty

If you have a problem with this unit, please contact your dealer or supplier immediately. Under no circumstances should you attempt to service the unit in any way by yourself. The warranties in paragraphs 1 and 2 are provided only to the initial owner of this unit, are not transferable and are subject to the conditions and limitations in paragraphs 3, 4 and 5. Please review the conditions and limitations carefully and strictly follow their requirements.



1. Extended Warranty Coverage

For a period of up to ten (10) years, Miles Industries Ltd., (the "Company") or its appointed distributor will at its option pay the initial owner for the repair of, or will exchange the following parts or components which are found to be defective in material or workmanship under normal conditions of use and service:

Part or Component	Defect Covered	Maximum Warranty Period
Exterior steel casing	Corrosion	10 years
Glass	Loss of structural integrity	10 years
Cast iron parts	Corrosion	10 years
Firebox and heat exchanger	Corrosion (but not discoloration) causing loss of structural integrity	10 years

2. Two-Year Parts Warranty

In addition, for two (2) years from the date of purchase, the Company, at its option, can repair or exchange all parts and components not listed above but that are found to have a *bona fide* defect in material or workmanship under normal conditions of use.

3. Conditions and Limitations

- a) The warranty registration card must be completed by the initial owner and returned to the Company within 90 days of purchase. Alternatively, the warranty registration form may be filled out online at www.valorfireplaces.com.
- b) Installation and maintenance must be performed by an authorized and trained dealer in accordance with the Company's installation instructions.
- c) This warranty is void where installation of the unit does not conform to all applicable codes including national and local gas appliance installation codes and building and fire codes.
- d) The owner must comply with all operating instructions.
- e) The Company is not responsible for the labor costs to remove defective parts or re-install repaired or replacement parts.
- f) The initial owner of the unit will be responsible for any shipping charges for replacement parts as well as travel time incurred by the dealer to perform the warranty work.
- g) This warranty applies to non-commercial use and service and is void if it is apparent that there is abuse, misuse, alteration, improper installation, accident or lack of maintenance to the unit.
- h) This warranty does not cover damage to the unit due to:
 - i) Improper installation, operational or environmental conditions.
 - ii) Inadequate ventilation in the area or competition for air from other household equipment or appliances.
 - iii) Chemicals, dampness, condensation, or sulphur in the fuel supply lines which exceeds industry standards.
- i) This warranty does not cover glass, log breakage or damage to the unit while in transit.
- j) The Company does not allow anyone to extend, alter or modify this warranty and assumes no responsibility for direct, indirect or consequential damages caused by the unit. State or provincial laws where the first purchaser or user resides may provide specific rights to extend this warranty and, if so, the Company's sole obligation under this warranty is to provide labor and/or materials in accordance with those laws.

4. Discharge of Liability

After two (2) years from the date of purchase, the Company may, at its option, fully discharge all obligations under this warranty by paying to the first owner the wholesale price of any defective parts.

5. No Other Warranty

All obligations to repair this unit are defined in this warranty. Some states or provinces may specifically mandate additional warranties on the part of manufacturers, but in the absence of such specific legislation, there is no other warranty or obligation expressed or implied.

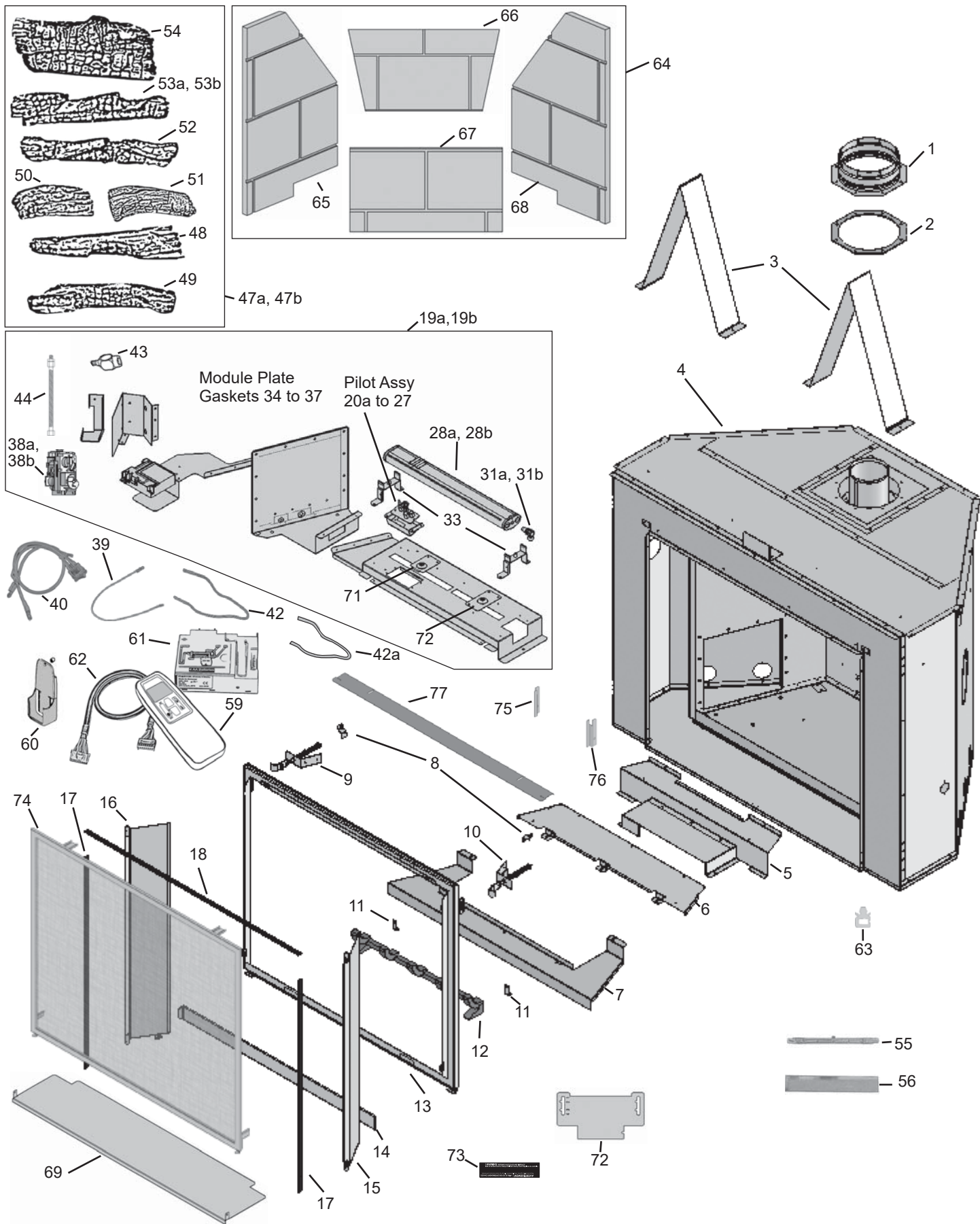
Spare Parts

Code	Description	Part Number	Code	Description	Part Number
1	Intake Collar	4000925	38a	GV60 Complete Valve NG	4003101
2	Intake Collar Gasket	4000942	38b	GV60 Complete Valve LPG	4003114
3	Top Standoff (2)	4001373	39	Cable Interruptor	4001035
4	Firebox		40	Switch with Cable	4001036
5	Air Inlet Duct Assembly	4001246	42	Ignition Cable	4001039
6	Rear Log Support	4001280BY	42a	Ignition Cable Sleeve	4002244
7	Front Brick Support	4001265BY	43	Thermocurrent Interruptor	4001037
8	Side Brick Anchor (2)	4001283	44	Pipe S/S Flex	4000345
9	LH Explosion Relief Assembly	4001286	46	Magnet dia. 16 x 4.5mm	420K551
10	RH Explosion Relief Assembly	4001287	47a	Log Set NG	4001223
11	Grate Mounting Clips (2)	4001402	47b	Log Set LPG	4001541
12	Cast Iron Grate Assembly	4005212AH	48	Top Left Log	4001366
13	Window Frame Assembly	4001221	49	Top Right Log	4001365
14	Window Skirt	4001445AZ	50	Middle Right Log	4001368
15	RH Side Panel	4001243AZ	51	Middle Left Log	4001367
16	LH Side Panel	4001242AZ	52	Front Log	4001369
17	1/2" Side Trim (2)	4001360AZ	53a	Middle Log NG	4001370
18	1/2" Top Trim	4001359AZ	53b	Middle Log LPG	4001534
19a	Burner Module Assembly NG	4001228S	54	Rear Log	4001371
19b	Burner Module Assembly LPG	4001229S	55	Quartz Lamp 100 Watts	4001446
20a	Pilot Assembly NG	4000727	56	Light Cover	4001353
20b	Pilot Assembly LPG	4000728	59	Handset G6R H3T5-ZV (BJ)	4001910
21	Pilot Bracket	4000729	60	Handset Wall Holder	9000008
22	Thermocouple	4000061	61	Receiver G6R-R3AM-ZV (CP)	4001911
23a	Pilot Injector #51 NG	4000735	62	Wiring Harness	4001187
23b	Pilot Injector #30 LPG	4000736	63	Cable Clip	4000012
24	Pilot Tube	4000732	64	Ceramic Liner Sets	
25	Pilot Hood 2 Flame	4000730	a	<i>Victorian Red Brick</i>	1245VRL
26	Extended Nut	4001855	b	<i>Frontera Stone</i>	1250FSL
27	Electrode	4001856	c	<i>Inca Slab</i>	1255IBL
28a	Burner Assembly NG	4001400	d	<i>Black Slab</i>	1260BSL
28b	Burner Assembly LPG	4001472	65	LH Panel	
29	Air Shutter (2)—NG only	4000657	a	<i>Victorian Red Brick</i>	4001224
30	Shutter Slider—NG only	4000759	b	<i>Frontera Stone</i>	4001327
31a	Injector Elbow #82 NG	4001270	c	<i>Inca Slab</i>	4001328
31b	Injector Elbow #360 LPG	4001494	d	<i>Black Slab</i>	4001478
32	Valve to Burner Pipe Assembly	4001279X	66	Top Panel	
33	Location Support Assembly (2)	4001288X	a	<i>Victorian Red Brick</i>	4001227
34	Top Gasket	4001269	b	<i>Frontera Stone</i>	4001323
35	Bottom Gasket	4001363	c	<i>Inca Slab</i>	4001324
36	Sealing Gasket	4001364	d	<i>Black Slab</i>	4001481
37	Side Gasket (2)	4001268			

Spare Parts

Code	Description	Part Number
67	Rear Panel	
a	<i>Victorian Red Brick</i>	4001226
b	<i>Frontera Stone</i>	4001321
c	<i>Inca Slab</i>	4001322
d	<i>Black Slab</i>	4001480
68	RH Panel	
a	<i>Victorian Red Brick</i>	4001225
b	<i>Frontera Stone</i>	4001325
c	<i>Inca Slab</i>	4001326
d	<i>Black Slab</i>	4001479
69	Overlay (to cover front bottom FP)	4001500AZ
70	LH Burner Support	4001511
71	RH Burner Support	4001512
72	Restrictor	4001222
73	Hot Glass Warning Plate	4003093
74	Barrier Screen	4003365
75	LH Bracket for screen	4003655AZ
76	RH Bracket for screen	4003654AZ
77	Convection baffle	4004473AZ
	Micore insulation pad (not shown)	4001489

Spare Parts



Thank You ...

For purchasing a Valor by Miles Industries. Your new radiant gas heater is a technical appliance that must be installed by a qualified installer.

Please fill in the information below. The information provided will be used for customer records only.



Fireplace Information

Model Number: 1200 EAN or EAP

Serial Number:

Date Purchase (yyyy-mm-dd):

Dealer:

Customer Information

First Name:

Last Name:

Contact Information

Email:

Mailing Address

Address:

City:

Province/State:

Postal/Zip Code:

Country:

Cut out page, fill information, and mail to Miles Industries Ltd.

Online Warranty registration at www.valorfireplaces.com



Tape Shut



Fold here



Postage
needed

Miles Industries Ltd.
190 - 2255 Dollarton Highway
North Vancouver, BC V7H 3B1
Canada

Online Warranty registration at www.valorfireplaces.com

Were you given all documentation and manuals for your product? YES NO



Thank you for choosing a Valor Product