

# Installation Manual



# G4

Direct Vent Gas Fireplace Insert  
Gas Fireplace  
natural gas 780MN  
propane gas 780MP

with  
**AutoFire™**

Canadian Patent 2,717,779 Issued October 24 2017  
US Patent 10,060,624 Issued August 28 2018  
US Patent 10,935,246 Issued March 2 2021

Installer: Place model/serial number here.

Installer: Leave this manual with the appliance.  
Consumer: Retain this manual for future reference.

**⚠ WARNING:**  
**FIRE OR EXPLOSION HAZARD**  
Failure to follow safety warnings exactly could result in serious injury, death, or property damage.

Do not store or use gasoline or other flammable vapors and liquids in the vicinity of this or any other appliance.

#### WHAT TO DO IF YOU SMELL GAS

- Do not try to light any appliance.

- Do not touch any electrical switch; do not use any phone in your building.
- Leave the building immediately.
- Immediately call your gas supplier from a neighbor's phone. Follow the gas supplier's instructions.
- If you cannot reach your gas supplier, call the fire department.

Installation and service must be performed by a qualified installer, service agency or the gas supplier.

## **⚠ DANGER**



Hot glass will cause burns.

Do not touch glass until cooled.

Never allow children to touch glass.

A barrier designed to reduce the risk of burns from the hot viewing glass is provided with this appliance and must be installed for the protection of children and other at-risk individuals.

This appliance may be installed in an after-market permanently located, manufactured (mobile) home where not prohibited by local codes. This appliance is only for use with the type of gas indicated on the rating plate. This appliance is not convertible for use with other gases, unless a certified kit is used.

**INSTALLER:** Leave this manual with the appliance.

**CONSUMER:** Retain this manual for future reference.

#### Massachusetts:

The piping and final gas connection must be performed by a licensed plumber or gas fitter in the State of Massachusetts. Also, see Carbon Monoxide Detector requirements in the this manual, page 39.

#### **⚠ WARNING**

This product can expose you to chemicals including Benzene, which is known to the State of California to cause cancer and birth defects or other reproductive harm. For more information go to [www.P65Warnings.ca.gov](http://www.P65Warnings.ca.gov).

Note: Natural gas, in its original state, contains Benzene.

This appliance is a domestic room-heating appliance. It must not be used for any other purposes such as drying clothes, etc.

This appliance is suitable for installation in a bedroom or bed sitting room.

Ce guide est disponible en français sur demande.



We recommend a US Certified National Fireplace Institute (NFI) specialist install our gas hearth products.



The information contained in this manual is believed to be correct at the time of printing. Miles Industries Ltd. reserves the right to change or modify any information or specifications without notice. Miles Industries Ltd. grants no warranty, implied or stated, for the installation or maintenance of your heater, and assumes no responsibility for any consequential damage(s).

© Copyright Miles Industries Ltd., 2024. All rights reserved.  
Designed and manufactured for Miles Industries Ltd.

# Welcome to Valor®

This appliance has been professionally installed by:

Dealer Name: \_\_\_\_\_

Phone: \_\_\_\_\_

**Please read this manual BEFORE installing and operating this appliance.**

Fireplace Safety .....	4
Specifications .....	6
Kits & Accessories.....	7
Dimensions & Cavity.....	8
Clearances .....	9
Installation Planning.....	11
Before Installation.....	11
Overview .....	12
Venting.....	13
Preparation .....	15
Existing Fireplace Preparation .....	15
Installation .....	16
Window and Optional Fan.....	16
Connect Venting.....	17
Gas Supply.....	18
Liner Panels .....	21
Fuel Beds.....	23
Birch Log Kit 1000BLKV2.....	23
Driftwood Kit 1000DWKV2.....	26
Traditional Log Kit 1000LSKV2 .....	29
Reinstall & Check Window.....	32
Remote Control Pairing.....	33
Check Operation and Aeration.....	34
Front/Trim.....	35
Handset Wall Holder .....	36
Wiring Diagram .....	37
Approved Venting Components .....	38
Commonwealth of Massachusetts .....	39
Appendix A–Lighting Instructions Plate.....	40
Appendix B–Remote Control Operation .....	41
Appendix C–Spare Parts .....	45

# Fireplace Safety

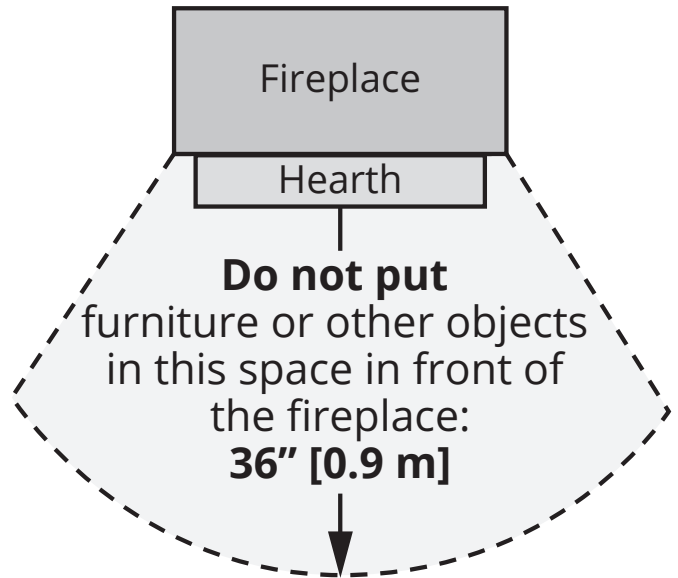
This manual contains very important information about the safe installation and operation of the fireplace. Read and understand all instructions carefully before installing and operating the fireplace. Failure to follow these instructions may result in possible fire hazard and will void the warranty.

Replacement manuals are available by contacting the Valor Customer Service at 1-800-468-2567, or by visiting [valorfireplaces.com](http://valorfireplaces.com).

## **WARNING: Extremely Hot!**

### Heat and flammability

- Some parts of the fireplace are extremely hot, particularly the glass window. Use the barrier screen provided or a gate to reduce the risk of severe burns.
- The glass windows can exceed 500°F at full capacity.
- Always keep the appliance clear and free from combustible materials, gasoline, and other flammable vapors and liquids.
- Be aware of hot wall surfaces! The wall directly above the fireplace can get very hot when the fireplace heats. Although safe, it may reach temperatures in excess of 200°F (93°C) depending on choice of optional accessories. Do not touch!
- Be aware of hot shelf/hearth/floor surfaces! Any projections directly around the fireplace can get very hot when the fireplace heats. Although safe, they may reach temperatures in excess of 200°F (93°C) depending on their elevation. Be careful of touching these! Do not put objects on the hearth or shelf. Temperature of projection surfaces will be reduced when barrier screen is installed.
- Some materials or items, although safe, may discolor, shrink, warp, crack, peel, and so on because of the heat produced by the fireplace. Avoid placing candles, paintings, photos and other combustible objects sensitive to heat or furniture within 36 inches (0.9 m) around the fireplace.
- Solid wood flooring in front of the fireplace (if allowed) may shrink during the heating season due to heat.
- Due to high temperatures, the appliance should be located out of traffic areas and away from furniture and draperies.
- Clothing or other flammable material should not be placed on or near the appliance.



### Barrier Screen and Safety

- A barrier designed to reduce the risk of burns from the hot viewing glass is provided with this appliance and must be installed for the protection of children and other at-risk individuals.
- Children and adults should be alerted to the hazards of high surface temperature and should stay away to avoid burns or clothing ignition.
- Young children should be carefully supervised when they are in the same room as the appliance. Toddlers, young children, and others may be susceptible to accidental contact burns. A physical barrier is recommended if there are at-risk individuals in the house. To restrict access to a fireplace or stove, install an adjustable safety gate to keep toddlers, young children, and other at-risk individuals out of the room and away from hot surfaces.
- Any safety screen, guard, or barrier removed for servicing an appliance, must be replaced prior to operating the appliance.

# Fireplace Safety

## Glass window



### **WARNING**

**Do not operate this appliance with the glass front removed, cracked, or broken.**

**Do not strike or slam the glass front.**

**Replacement of the glass front should be performed by a licensed or qualified service person.**

- The glass front assembly must be in place and sealed before the unit can be placed into safe operation.
- The glass front assembly must only be replaced as a complete unit, as supplied by the fireplace manufacturer. No substitute material may be used.
- Do not use abrasive cleaners on the glass front assembly. Do not attempt to clean the glass when it is hot.

## Venting

- This unit must be used with a vent system as described in this manual. No other vent system or components may be used.
- Never obstruct the flow of combustion and ventilation air. Keep the front of the appliance clear of all obstacles and materials for servicing and proper operation.
- This gas fireplace and vent assembly must be vented directly to the outside and must never be attached to a chimney serving a separate solid fuel burning appliance. Each gas appliance must use a separate vent system. Common vent systems are prohibited.

## Intended use

- This appliance is designed and approved as a supplemental heater and provides the potential for most energy conservation when used while attended. The use of an alternate primary heat source is advisable.
- This unit is not for use with solid fuel.
- Do not use this heater as a temporary source of heat during construction.

## Installation and Servicing

- Installation and repair should be done by a qualified service person. The appliance should be inspected before use and at least annually by a professional service person. More frequent cleaning might be required due to excessive lint from carpeting, bedding material, et cetera. It is imperative that control compartments, burners, and circulating air passageways of the appliance be kept clean.
- Do not use this appliance if any part has been under water. Immediately call a qualified service technician to inspect the appliance and to replace any part of the control system and any gas control that has been under water.

# Specifications

## Approval & Codes

This appliance is certified to ANSI Z21.88/CSA 2.33 American National Standard / CSA Standard for Vented Gas Fireplace Heaters for use in Canada and USA, and to CGA 2.17-91 High Altitude Standard in Canada. This appliance is for direct vent installations.

This appliance complies with CSA P.4.1-15 Testing method for measuring annual fireplace efficiencies.

The installation must conform to local codes or, in the absence of local codes, with the National Fuel Gas Code, ANSI Z223.1/NFPA 54 or the Natural Gas and Propane Installation Code CAN/CGA-B149.1. Only qualified licensed or trained personnel should install this appliance.

This appliance must be electrically grounded in accordance with local codes, or, in the absence of local codes, with the National Electrical Code, ANSI/NFPA 70 or the Canadian Electrical Code, CSA C22.1.

## Ratings

Model	780MN	780MP
Gas	Natural	Propane
Altitude (Ft.)*	0-4,500 feet*	
Input Maximum (Btu/h)	28,000	28,000
Input Minimum (Btu/h)	14,000	14,000
Manifold Pressure (in w.c.)	3.2"	10.5"
Minimum Supply Pressure (in w.c.)	5"	11"
Maximum Supply Pressure (in w.c.)	10"	14"
Main Burner Injector Marking	850	300
Pilot Injector Marking	51	30
Min. Rate By-Pass Screw	185	125

## \*High Altitude Installations

Input ratings are shown in BTU per hour and are certified without deration for elevations up to 4,500 feet (1,370 m) above sea level.

For elevations above 4,500 feet (1,370 m) in USA, installations must be in accordance with the current ANSI Z223.1 and/or local codes having jurisdiction. Heating value of gas in some areas is reduced to compensate for elevation—consult your local gas utility to confirm.

For installations at elevations above 4,500 feet (1,370 m) in Canada, please consult provincial and/or local authorities having jurisdiction.

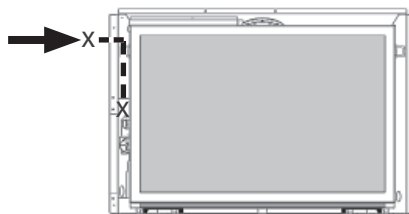
## Supply Gas

Heater engine 780MN is used with natural gas.

Heater engine 780MP is used with propane gas.

The supply pressure must be between the limits shown in the Ratings section.

The supply connection is 1/2" NPT female and located on the left side of the control valve. The gas line entry point is on the the upper left hand side of the fireplace. See page 20 for connection details.



## Electrical

The 780M is designed to run on battery power and does not require an electrical source to operate as a heater. However, if the appliance is fitted with a fan, a grounded power source is required.

## Conversion Kits

The 780M is supplied as natural gas or propane gas and is field convertible between fuels. See instructions packaged with the conversion kits for further information.

## Floor/Hearth

This appliance is approved for installation into existing solid-fuel burning fireplaces only. Combustible material such as plywood and so on may be used for leveling and shimming beneath the unit. This appliance does not require a hearth other than to support the weight of certain fronts.

## Outdoor Conversion Kit

The 780M models are supplied standard for indoor applications and may be adapted for installation in specific "outdoor" applications protected from weather as defined in the GV60CKO outdoor conversion kit manual.



## WARNING

**NO ELECTRICAL CONNECTION ALLOWED  
for any outdoor installation!**

# Kits & Accessories

## Required Kits

Fuel Beds (choose one)		
1000LSKV2	Traditional Log Set	
1000DWKV2	Driftwood Log Set	
1000BLKV2	Birch Log Set	
Liners (choose one)		
786LSLV3	Ledgestone Panels	
787RGL	Reflective Glass Panels	
788FBLV2	Fluted Black Panels	
789VRLV2	Valor Red Brick Panels	
Fronts (choose one)		Barrier Screen
784EC	Edgemont Craftsman Fronts	4007655AZ
784ECBR	Bronze	
784ECPW	Pewter	
784ECCB	Champagne Brass	
790FTV	Floating Trim vintage iron	4003371AZ
791	Square Trim Kits	4003371AZ
791STB	Black	
791STV	Vintage iron	
791STP	Polished	
792	Floating Trim Kits	4003371AZ
792FTB	Black	
792FTV	Vintage iron	
792FTZ	Bronze	
798	Floating 4-Sided Trims	4003371AZ
798FFB	Black	
798FFV	Vintage iron	
798FFZ	Bronze	
799ED	Edgemont Door Kits	4004348AZ
799EDFZ	Bronze	
799EDFN	Nickel	
Backing Plates for 784EC and 799ED fronts (choose one)		
799BPB-1 799BPB-2 799BPB-3	3-Sided flat Backing plates, black	
799STB-1 799STB-2	3-Sided square Backing plates, black	
799BPB-4S	4-Sided flat Backing plate, black	

## Optional Accessories

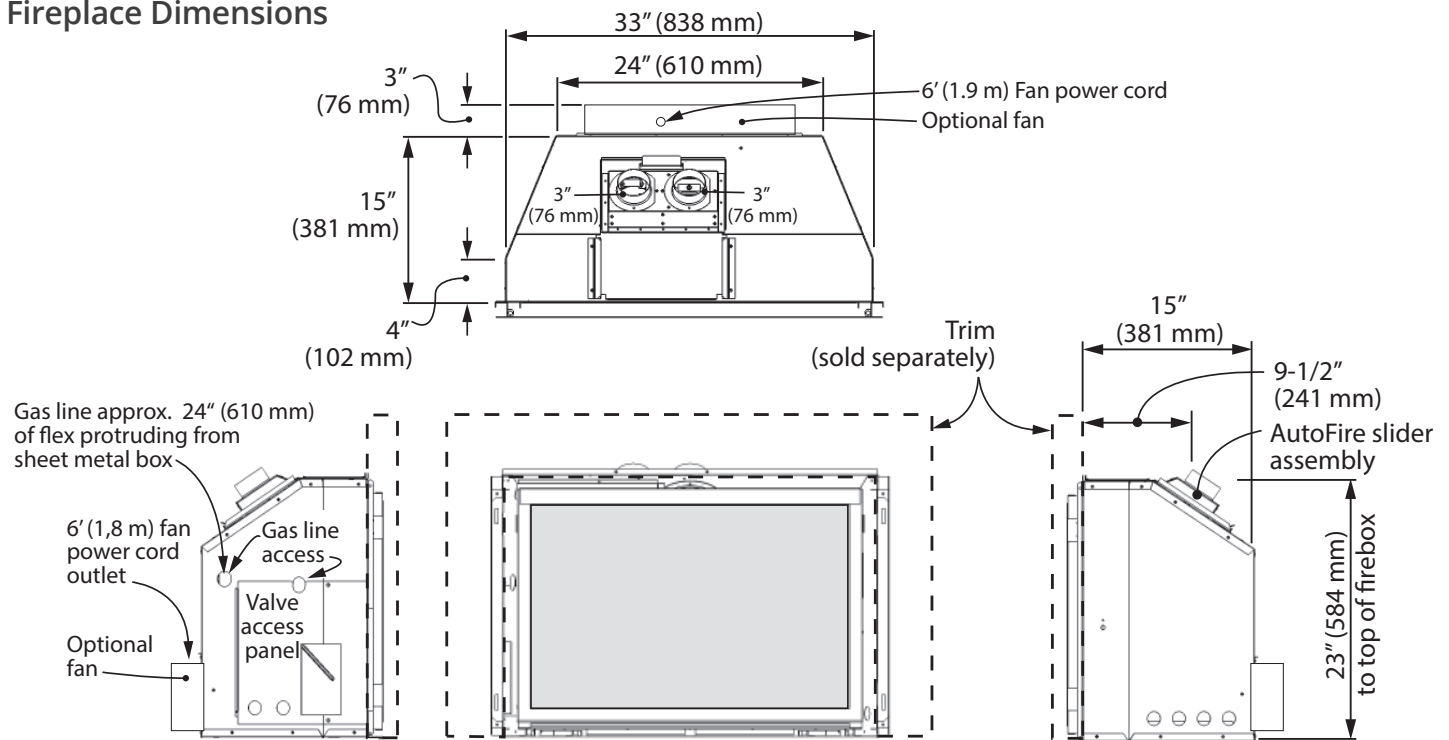
Optional Backing Plates	
794BPB 794BPB-1	Backing plates Black for 790, 791 & 792
Gas Conversion Kits	
780MNGK	Conversion Kit to Natural Gas
780MPGK	Conversion Kit to Propane Gas
Other Accessories	
793RTB	Riser trim black for 790, 791, 792 & 798
793RTV	Riser trim vintage iron for 790, 791, 792 & 798
785RGP	Reflective Glass Panel for 788FBLV2
795CFKV2*	Circulating Fan Kit
796ALP	Adjustable Leveling Platform
1265WSK	Wall Switch Kit
RBWSK	Remote Battery & Wall Switch Kit
GV60CKO	Outdoor Fireplace Conversion Kit
Hearth Gate	Hearth gates such as Cardinal's VersaGate are available at retail stores carrying safety products for children.

 **WARNING**  
**\*NO ELECTRICAL CONNECTION ALLOWED  
 for any outdoor installation!**

Above information accurate at the time of printing and subject to change without notice.

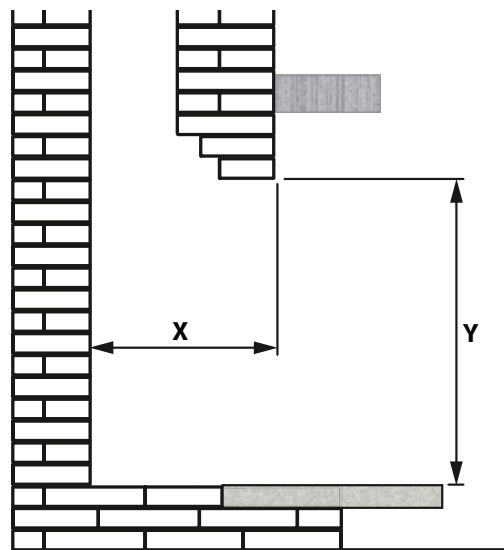
# Dimensions & Cavity

## Fireplace Dimensions



## Cavity Dimensions

Check that masonry step does not interfere with install dimensions or vent pipe. If mantel is combustible, see following table for allowable clearances. A hearth that is at a height within 4" (102 mm) of the bottom of the heater **MUST** be non-combustible.



		Minimum Cavity Dimensions			
		All trims EXCEPT: 799ED or 784EC Edgemont Doors		799ED or 784EC Edgemont Doors	
		Standard Install	w/796 Leveling Platform	w/799BPB Flat Backing Plates	w/799STB Square Backing Plates
Width (min. fireplace opening at front)		33-1/4" [855 mm]	33-1/4" [855 mm]	35-3/4" [908 mm]	33-1/4" [855 mm]
Depth X	No Fan	15-1/2" [855 mm]	16" [406 mm]	16-3/4" [426 mm]	15-1/2" [855 mm]
	w/795 Fan	18-1/2" [470 mm]	18-1/2" [470 mm]	19-3/4" [502 mm]	18-1/2" [470 mm]
Height Y *		23-1/4" [591 mm]	23-1/4" [591 mm]	23-3/4" [603 mm]	23-3/4" [603 mm]

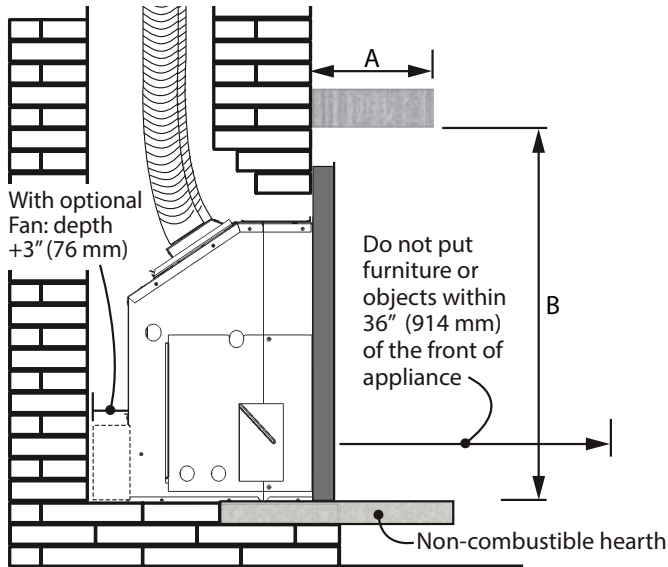
\* Please note that the 799BPB-4S 4-Sided backing plate extends below the bottom of appliance by 2-13/16" (72 mm). Plan accordingly!



# Clearances

## Combustible Mantel

### Combustible Mantel Clearances



Clearances based on diagram above in Inches [mm]

Mantel Projection A	1 [25]	4 [101]	8 [203]	14 [355]
Mantel Projection B*	34 [864]	36 [914]	38 [965]	40 [1016]

\* Measure taken from the underside of the mantel to finished hearth or surface that the unit is sitting on.

### Finishing Materials

**Combustible Materials:** Materials made of or surfaced with wood, compressed paper, plant fibers, plastics, or other material that can ignite and burn, whether flame proofed or not, or plastered or unplastered.

**Non-Combustible Materials:** Material which will not ignite and burn. Such materials are those consisting entirely of steel, iron, brick, tile, concrete, slate, glass or plasters, or any combination thereof.

Materials that are reported as passing ASTM E 136, Standard Test Method for Behavior of Materials in a Vertical Tube Furnace at 750 °C.

#### **WARNING**

Some materials or items, although safe, may discolor, shrink, warp, crack, peel, and so on because of the heat produced by the fireplace. Avoid placing candles, paintings, photos, and other items sensitive to heat around the fireplace.

#### **WARNING**

**HOT GLASS!** The use of a screen in front of the glass is highly recommended, particularly in households with children

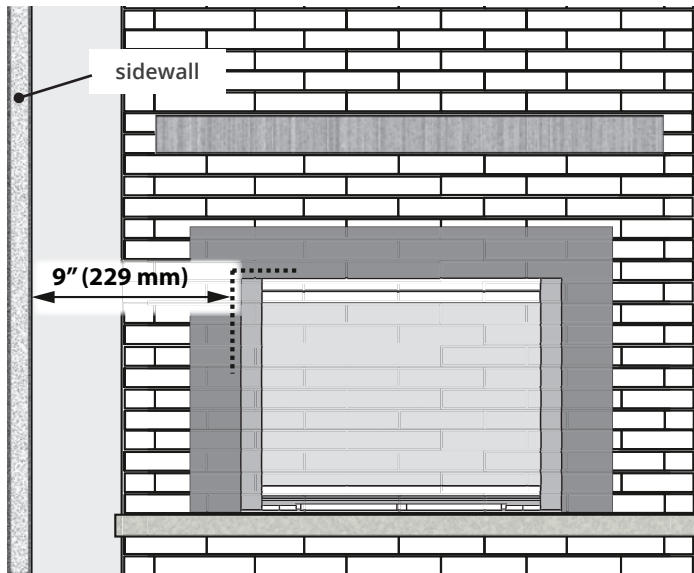
#### **WARNING**

**HOT HEARTH/FLOOR!** The hearth or floor in front of the fireplace may become very hot when the fireplace heats. Do not use the hearth as a seat or shelf. Solid wood flooring in front of the fireplace (if allowed) may shrink during the heating season due to heat.

# Clearances

## Combustible Sidewall

### Sidewall Clearances



Minimum distance from side of appliance (liner box) to combustible wall: 9" [229 mm] (see above).

Mantel legs projecting forward less than 6" [152 mm] may be located within 5" [127 mm] of the side of the appliance (liner box).

### Floor/ Hearth Clearances

Combustible shims/supports may be used beneath the appliance to level or raise the appliance within the existing fireplace cavity.

Combustible flooring/hearths in front of the appliance must be at a minimum of 4" [102 mm] below the bottom of the appliance. The gas insert does not require a hearth.

# Installation Planning

## Before Installation



### Caution

Only qualified, license, or trained personnel should install this appliance.

### Before Installation

1. YOU NEED TO KNOW FROM THE HOMEOWNER:
  - Whether any facing material will be used over the existing fireplace.
  - What trim, front, and optional accessories (if any) will be installed with this unit.
2. Unpack the appliance and recycle the packaging.
3. Check that you have everything, using the Pack Content sheet. Also, check that you have:
  - A fuel bed (packed separately)
  - Liner panels (packed separately)
  - Venting accessories
  - Electrical accessories (if using a fan kit)
  - Any other ordered accessories
4. Carefully read the Installers Checklist included with the fireplace for the installation sequence.

### Note

The following steps must be done BEFORE the appliance is placed in its final position, since the connections are done from the back of the appliance:

- Electrical connections (if needed for fan kit)



### WARNING

**NO ELECTRICAL CONNECTION ALLOWED  
for any outdoor installation!**

# Installation Planning

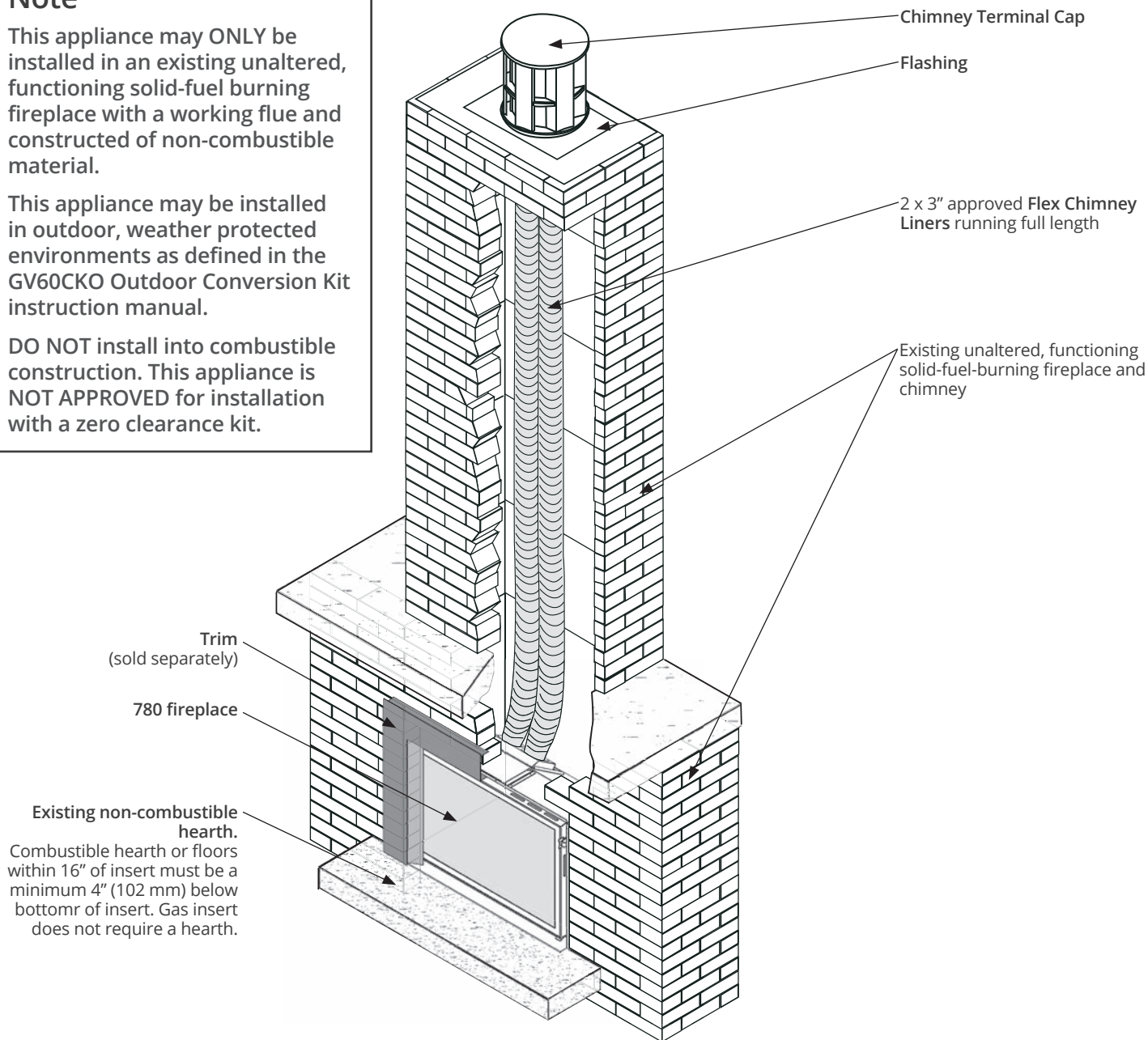
## Overview

### Note

This appliance may **ONLY** be installed in an existing unaltered, functioning solid-fuel burning fireplace with a working flue and constructed of non-combustible material.

This appliance may be installed in outdoor, weather protected environments as defined in the GV60CKO Outdoor Conversion Kit instruction manual.

**DO NOT** install into combustible construction. This appliance is **NOT APPROVED** for installation with a zero clearance kit.



### **WARNING**

**HOT HEARTH / FLOOR!** The hearth or floor in front of the fireplace may become very hot when the fireplace heats. Do not use the hearth as a seat or shelf. Solid wood flooring in front of the fireplace (if allowed) may shrink during the heating season due to heat.

### **WARNING**

Some materials or items, although safe, may discolor, shrink, warp, crack, peel, and so on because of the heat produced by the fireplace. Avoid placing candles, paintings, photos, and other items sensitive to heat around the fireplace.

# Venting

## Overview

### Typical Vent Installation

Flex liners may only be installed into solid-fuel burning fireplace and chimney systems (no combustible constructions).

The appliance must not be connected to a chimney flue serving a separate solid-fuel burning appliance.

See "Approved Venting Components" on page 38 of this manual.

### Vent Location

The vent terminal must be located through the roof. This direct vent appliance is designed to operate when an undisturbed airflow hits the outside vent terminal from any direction.

Check local codes for allowable vertical vent termination.

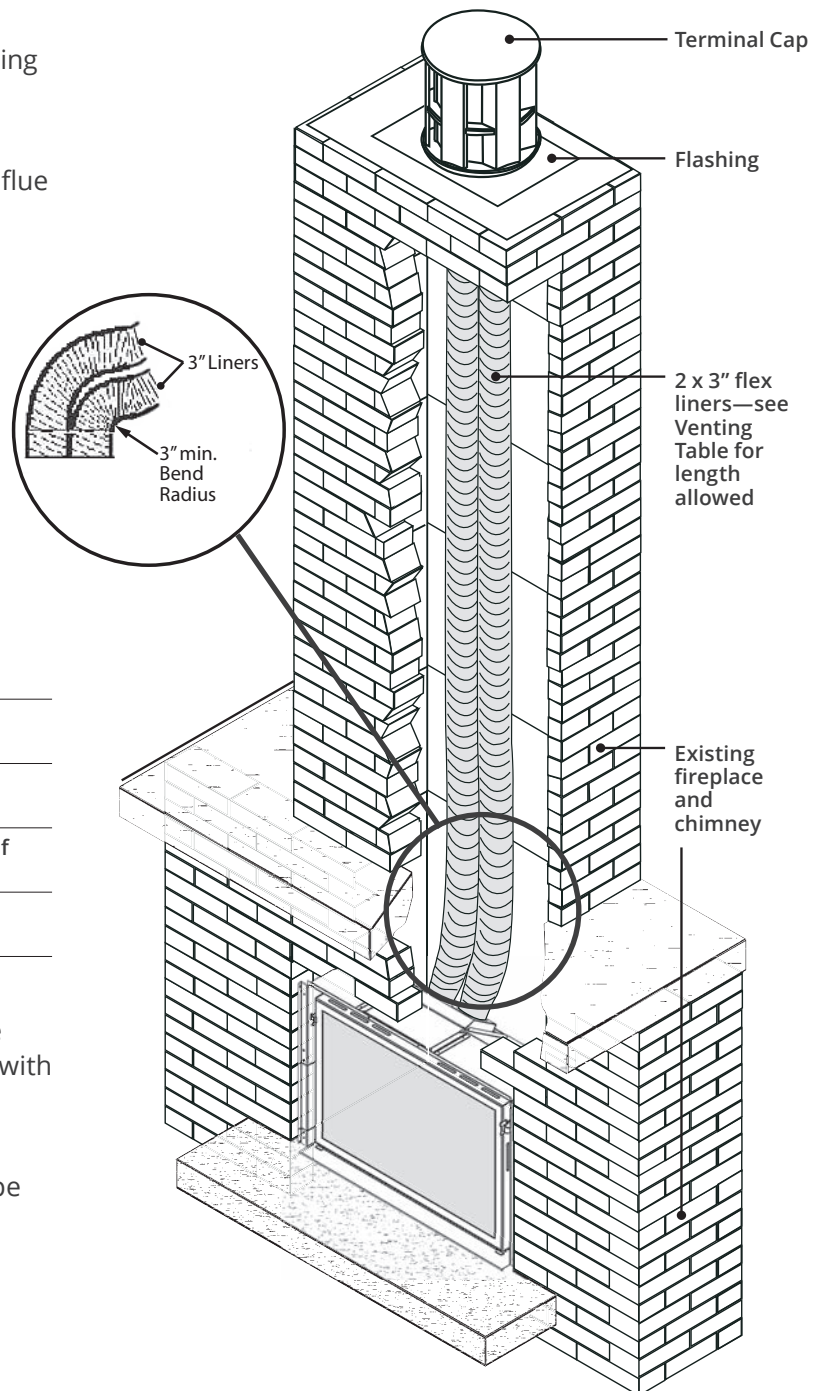
### Venting Table

Maximum vertical height	40 ft (measured to bottom of termination)
Minimum vertical height	10 ft (measured to bottom of termination)
Maximum horizontal run	4 ft (measured center to center of pipe)
Maximum offset angle	45° (sweeping bend to allow for obstructions)

### Venting Notes

Where possible, avoid joining flex pipes. If joints are required, use an approved connector and seal joints with RTV high temp sealant.

Horizontal offset is permissible to allow for routing around masonry projections. Avoid bending flex pipe over a 45 degrees radius where possible.

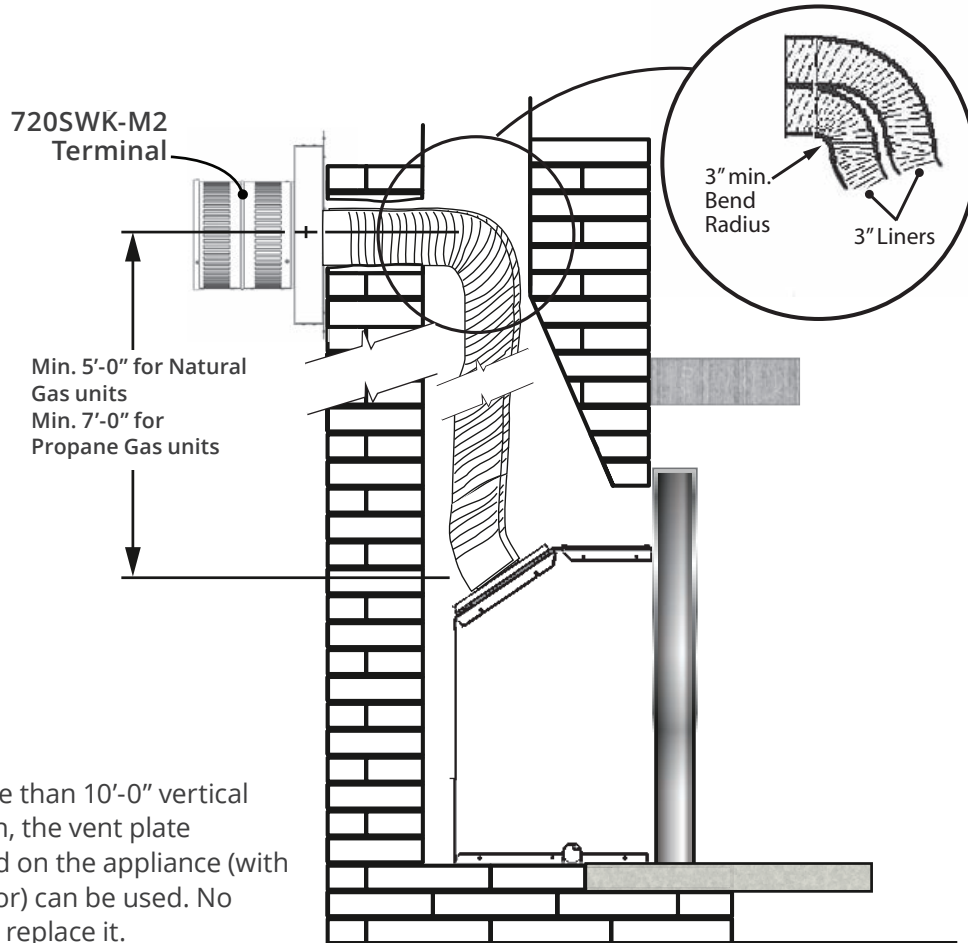


### Alternate Venting with optional 720SWK-M2—Co-linear sidewall kit

The appliance may also be vented using the optional 720SWK-M2—Co-linear sidewall kit—see installation instructions supplied with the kit.

#### NOTE

Depending on the length of the vertical vent run, the AutoFire vent plate may need to be replaced by the vent plate included with the 720SWK-M2 terminal—see instructions provided with the terminal.



# Preparation

## Existing Fireplace Preparation

A few points must be considered before inserting the 780 into an existing fireplace cavity. Generally, no modifications are allowed to the existing fireplace that will compromise the integrity of the existing fireplace.

Components that are bolted or screwed on such as dampers or baffles may be removed to accommodate the installation of the 780 engine. Refractory bricks and log grates may also be removed.

**Cutting away any sheet metal parts of the existing fireplace to accommodate the installation of the 780 is prohibited.**

Check with local authorities if in doubt.

## Clean Fireplace and Chimney

Have the chimney swept and the fireplace cavity including ash dumps and clean-outs cleaned before installing the 780 heater and vent liners. Any creosote or soot residue remaining in the fireplace cavity chimney or clean-out may cause odors or stains once the 780 insert is installed. Consult with chimney sweep for information on how best to clean.

## Existing Dampers

Factory-built, zero-clearance fireplaces will require the damper to be removed in order to install the vent liners. These dampers are usually bolted into place. Dampers in masonry fireplaces must be fixed open and may remain in place.

## Ash Retaining Curbs

Some fireplaces (particularly factory-built) have a raised curb at the front edge to retain ashes. Check the dimensions carefully to ensure the 780 engine will fit behind any raised curb (some curbs may be removed separately from the refractory base).

## Gas Line Routing

Plan the routing of the gas line before proceeding. Utilize the existing hole for the gas line of the factory-built fireplace.

If the fireplace has no access hole, carefully drill an access hole of 1.5 inch (38 mm) or less through the lower sides or bottom of the firebox. The access hole must be plugged with non-combustible insulation after

the gas supply line has been installed.

See *Dimensions* section for detailed location of gas inlet. Also, take into consideration whether or not a fan or shut-off valve will interfere when planning routing of the gas line.

## Existing Glass Doors and Wire Screens

**Existing glass doors must be permanently removed prior to installing the 780 insert.**

## Combustible Mantels

Combustible mantel clearances must conform to those required for the original solid-fuel fireplace into which the 780 is being installed.

## Attach Warning Conversion Plate to Existing Fireplace

(Label supplied loose with 780 heater)

Attach the "This fireplace has been converted..." label to **the existing fireplace** using screws or other mechanical means and store any removed parts in back of the existing fireplace for future use.

## Unpack the Appliance



### **WARNING**

**Beware of sharp edges! Wear gloves!**

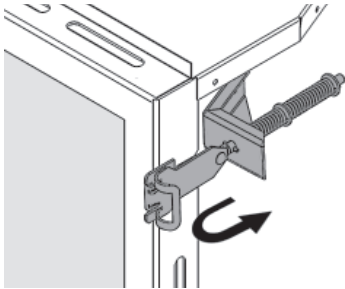
1. Unpack the appliance.
2. Unpack any loose items from around the appliance and check against the Pack Content list provided in the documentation package.
3. Remove the window and set aside in a safe place to avoid damage—see next page.
4. Verify that you have all the components required for the installation, including:
  - liner panels
  - fuel bed
  - trim
  - venting components and accessories
  - fan and electrical components for its installation (if used)

# Installation

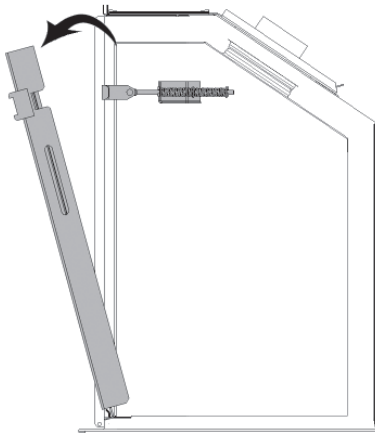
## Remove Window

The window is held in place by a spring-loaded lever on each side. To remove the window:

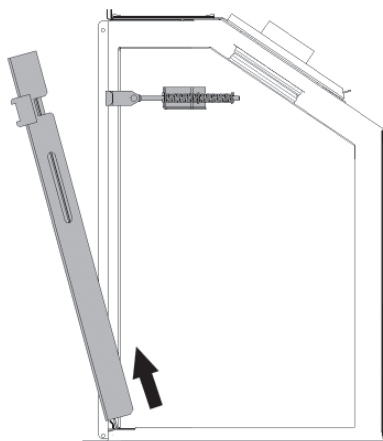
1. Locate the levers on each side of the window towards the top. Using your finger, pull the lever towards you and unhook it from the window frame



bracket.



2. Gently pull the top of the window outward.
3. Lift the window out of its bottom railing and set it



aside in a safe place to avoid damage.

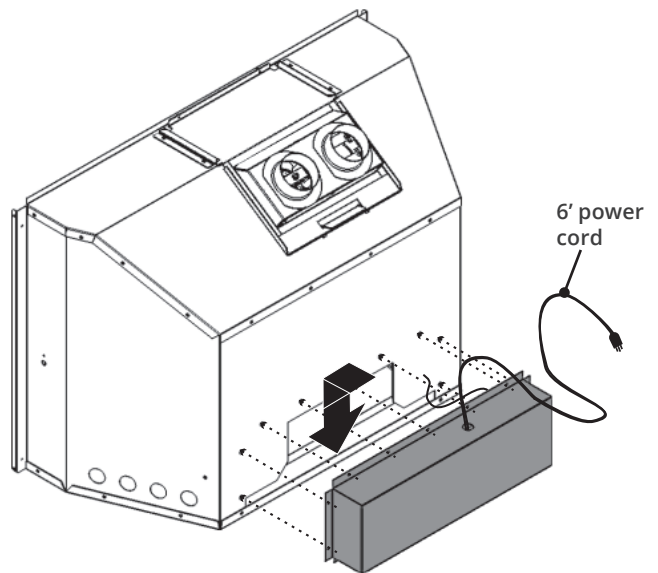
## Window and Optional Fan

### Install Fan Kit (if used)

If the 795CFKV2 Circulating Fan Kit (blower) is to be installed, we suggest that you do it now.

The fan cavity is accessible from the back of the firebox to facilitate its installation. If the fan is retrofitted after the installation of the appliance, the appliance will need to be removed. Therefore, we recommend that, where possible, the fan be installed before the appliance is fitted into the cavity.

Refer to instructions provided with the 795CFKV2 to install the fan.



### **WARNING**

**NO ELECTRICAL CONNECTION ALLOWED  
for any outdoor installation!**



# Installation

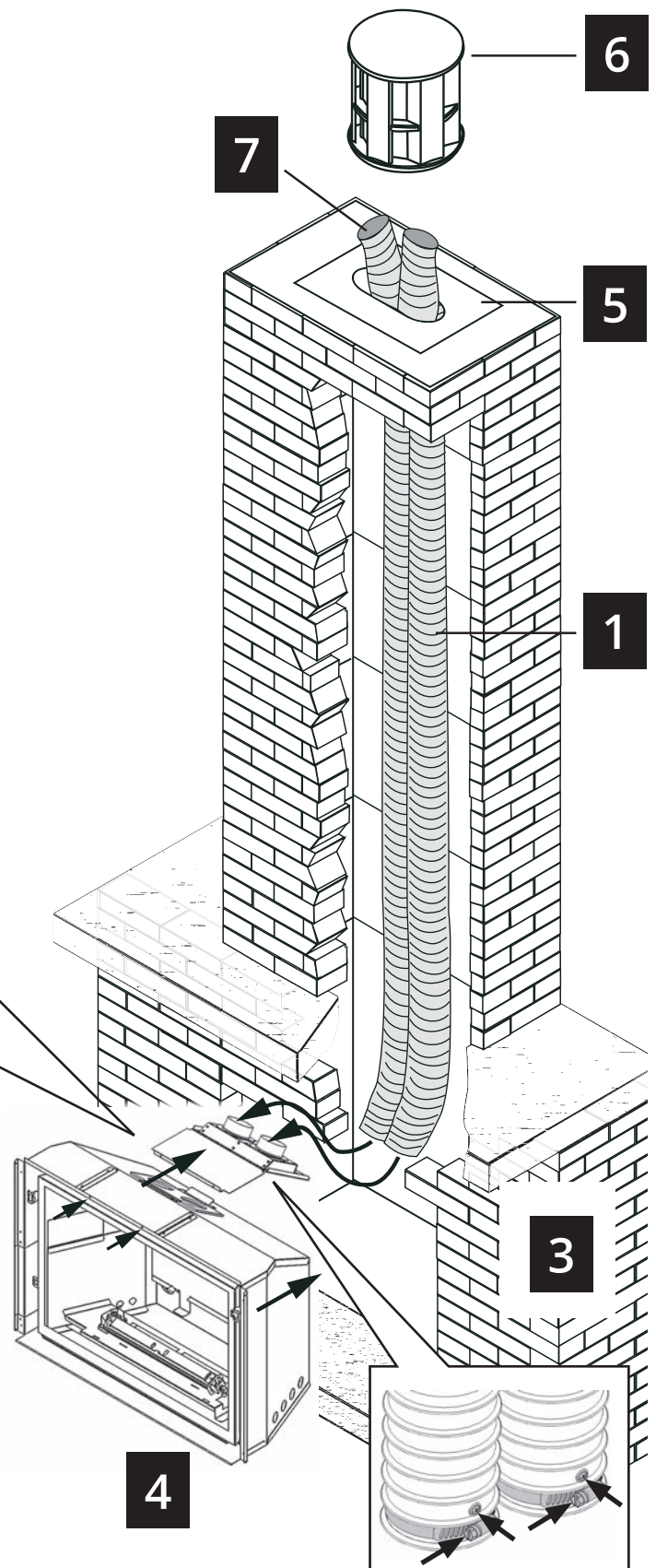
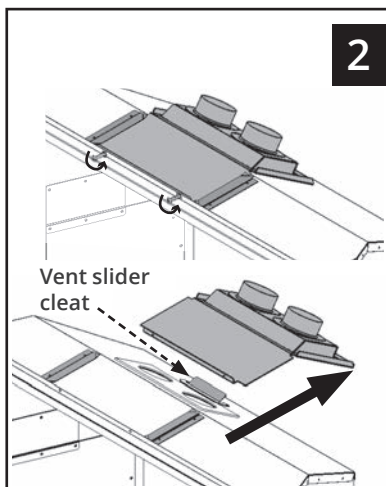
## Connect Venting

### Connect Venting

**IMPORTANT:** This appliance's venting system is room sealed and therefore, does not require room air to be used in the combustion process.

1. Rough-in two 3" diameter vent liners into the existing chimney system from the roof. Be careful not to tear or damage the liners in the process. It may be easier to install both liners at the same time rather than one at a time. Leave plenty of liners at the bottom to facilitate the connection of the liners to the vent slider. **It is best to leave the top termination until later.** Designate and mark the top and bottom of one liner as "EXHAUST" to avoid confusion later.
2. Release the two screws retaining the vent slider to the front of the firebox. Remove the slider from the firebox by sliding it towards the back of the firebox.
3. Fit the two liners ensuring that the exhaust liner is connected to the identified "EXHAUST" vent collar. Secure liners to collars with hose clamps (included) and 2 tapping screws per liner.
4. Slide the firebox onto the vent slider in the cavity taking care not to damage the liners. **Make sure that the rear edge of the slider is hooked over the cleat on the firebox.** Secure the vent slider to the front of the firebox with two screws removed earlier.

5. From the roof, pull the liners and fit the flashing.
6. Fit the terminal cap ensuring that the exhaust liner is connected to the exhaust vent collar. Secure with screws.
7. Seal the terminal and flashing from water penetration as required.



### **WARNING**

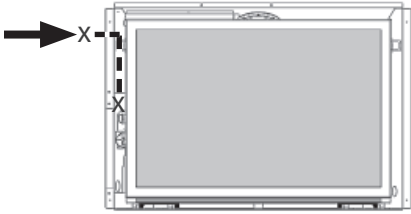
**Failure to position the parts in accordance with these diagrams or failure to use only parts specifically approved with this appliance may result in property damage or personal injury.**

# Installation

## Gas Supply

### Connect Gas Supply

The gas supply inlet connection is a 1/2" NPT female. Stainless steel flexible connector with gas shut-off valve supplied with the appliance.



Use only new black iron or steel pipes, CSST, or copper tubing if acceptable—check local codes. Note that in USA, copper tubing must be internally tinned for protection against sulfur compounds.

The burner module and gas train on this appliance may be removed as a unit for servicing. The flex pipe supplied with the unit provides a union for removal of the module.

Unions in gas lines should be of ground joint type.

The gas supply line must be sized and installed to provide a supply of gas sufficient to meet the maximum demand of the appliance without undue loss of pressure.

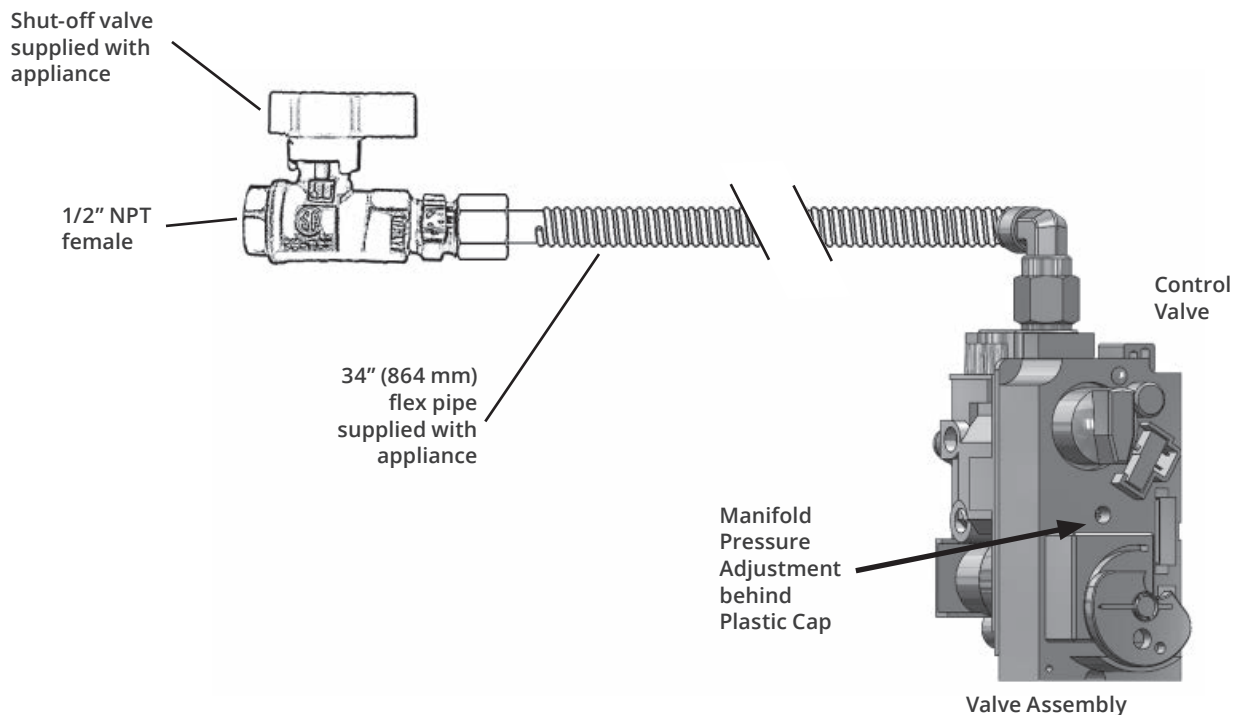
Sealant used must be resistant to the action of all gas constituents including LP gas. Sealant should be applied lightly to male threads to ensure excess sealant does not enter gas lines.

Pressure test the supply line for leaks.

The appliance and its individual shut-off valve must be disconnected from the gas supply piping system during any pressure testing of that system at test pressures in excess of 1/2 psig (3.5 kPa).

The appliance must be isolated from the gas supply piping system by closing its equipment shut-off valve during any pressure testing of the gas supply piping system at test pressures equal to or less than 1/2 psi (3.5 kPa).

Failure to either disconnect or isolate the appliance during pressure testing may result in regulator or valve damages and void the warranty. Consult your dealer in case of damages.



### Pressure Test Points

The minimum supply pressure is given in the section Specifications of this manual—page 6.

All piping and connections must be tested for leaks after installation or servicing. All leaks must be corrected immediately.

When testing for leaks:

- Make sure that the appliance is turned off.
- Open the manual shut-off valve.
- Test for leaks by applying a liquid detergent or soap solution to all joints. Bubbles forming indicate a gas leak.

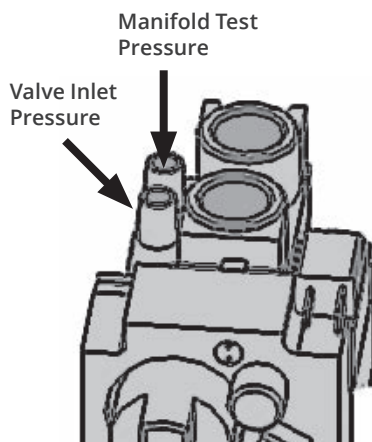


### **WARNING**

**NEVER USE AN OPEN FLAME to check for leaks. Correct any leak detected immediately.**

The pressure test tapping locations are shown in the figure below. An internal regulator within the valve controls the burner manifold pressure.

The correct pressure range is shown in the table in section Specifications of this manual on page 6. The pressure check should be made with the burner alight and at its highest setting. See Lighting Instructions section for full operating details on page 40.



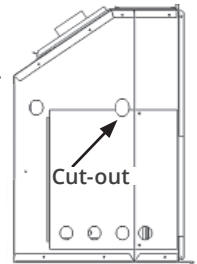
# Installation

## Gas Supply

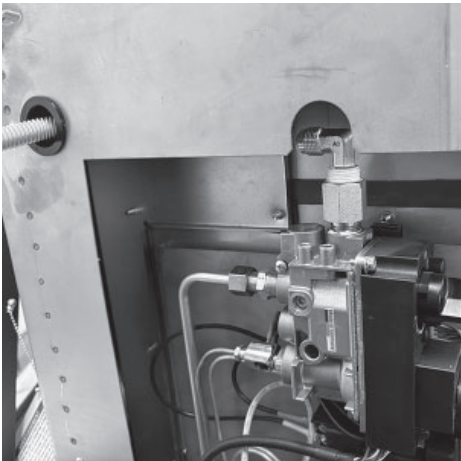
### Alternate Inlet Connection

In cases where local codes do not permit the flex connector to be used inside the appliance case, reconnect the flex connector outside of the appliance case. A cut-out is provided in the appliance case for this purpose.

Use common elbow and fittings (not supplied) to redirect the position of the flex connector. NOTE: the flex connector bend radius must be no smaller than the size of a golf ball (approx. 1-3/4" or 44 mm).



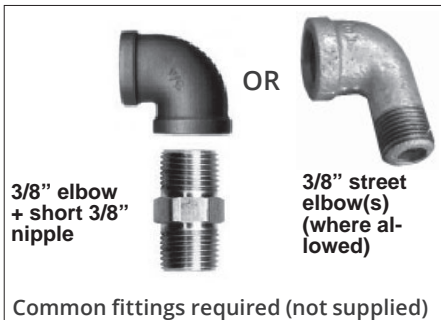
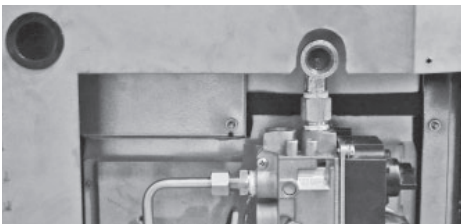
1. Remove flex pipe from elbow.



2. Remove elbow.

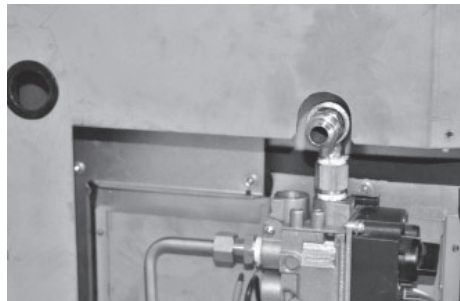


3. Install new inlet elbow.



### Option 1

4. Add straight flared connector (not supplied) to new elbow and fit flex connector. Close the access panel.



Flex connector redirected using one elbow.



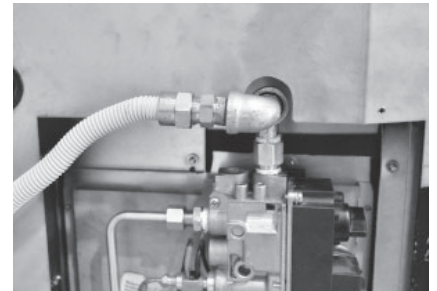
Top view, left side



Front view, left side

### Option 2

4. Add another elbow, the flared connector and refit the flex connector. Direct it towards the rear of the appliance or downward. Close the access panel.



Flex connector redirected using two elbows.

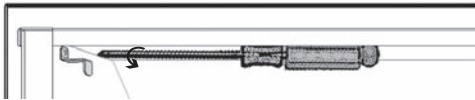
# Installation

## Liner Panels

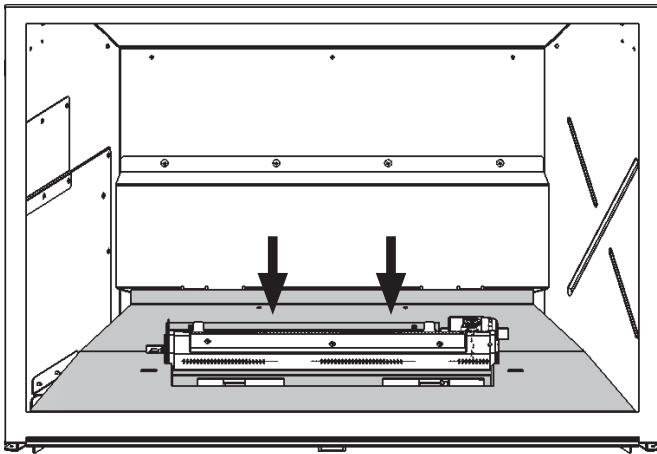
### Install Liners

The following guidelines apply for all liners (with the exception of the 787RGL Reflective Glass Liners—see the installation manual supplied with that liner kit for details).

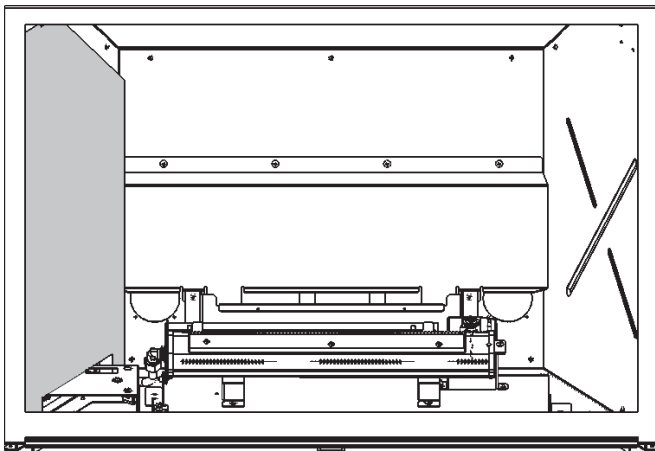
1. Inside the firebox, on the top of each side, loosen (but do not remove) the screw of the side panel anchors if necessary so they can rotate freely (one per side).



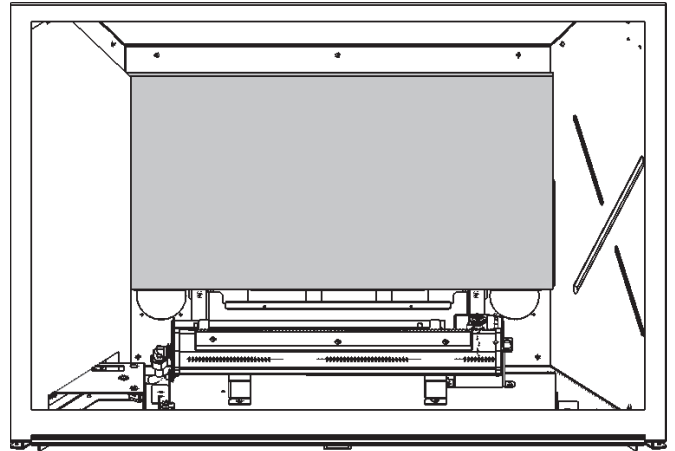
2. Remove the burner cover plate (2 screws at rear). Lift the front edge up and pull the plate toward you.



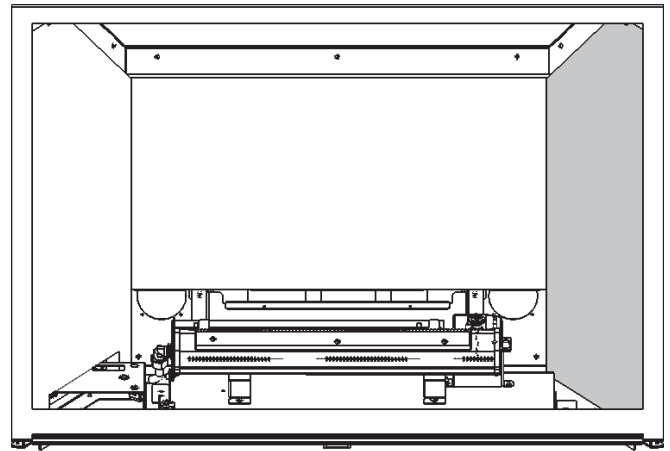
3. Place the left side panel as shown. Rotate the left clip at the top over the panel to hold it in place.



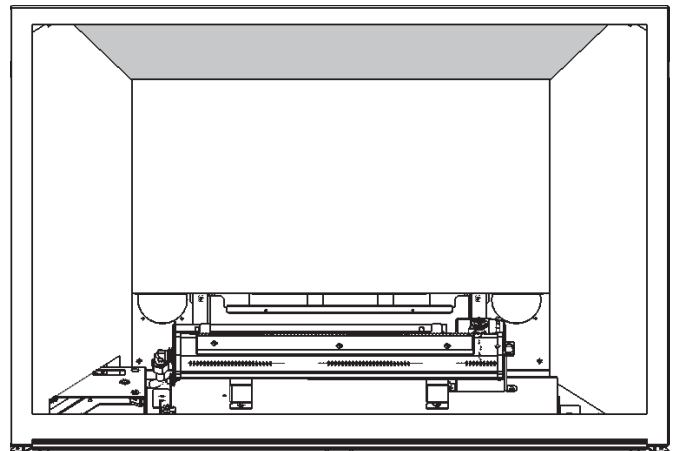
4. Place the rear panel as shown. It should slide gently behind the left panel.



5. Place the right panel as shown. Note to take care around the bottom rear right corner as it is a close fit. Rotate the right clip at the top of the panel to hold it in place.



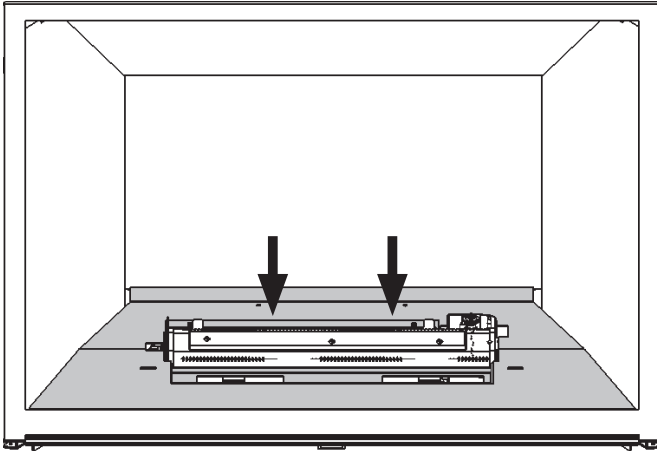
6. Place the top panel as shown. Insert one side with the panel near the front, place the second side, and slide the panel to the rear of the unit, resting it on the rear panel.



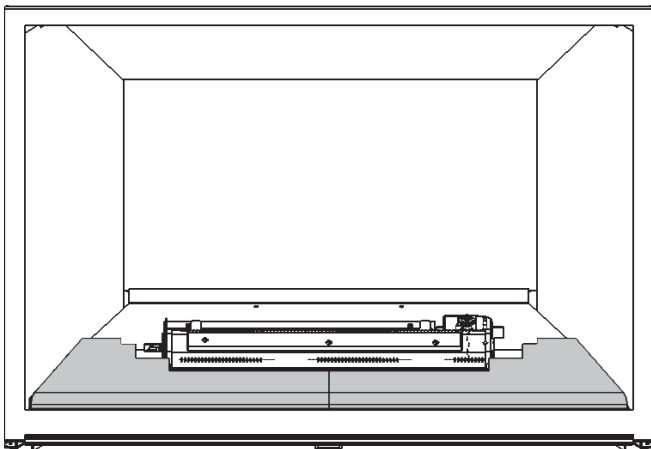
# Installation

## Liner Panels

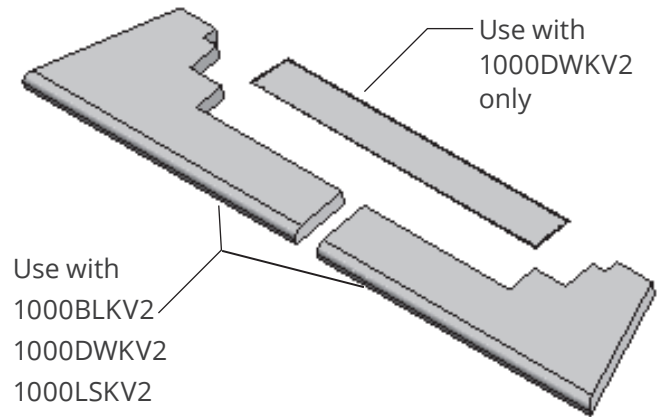
7. Replace the burner cover. Place the rear end of the cover first and drop the front of the cover down. Replace the 2 screws at rear.



8. Place the left and right base panels at the front of the unit. **These are included with the fireplace.** (Discard the base panels supplied with the liner panels). These will be needed for all fuel beds to be installed.



The base panels come packed with a rectangular cover plate measuring 1-1/2"x14-3/8". This plate is only used with the 1000DWKV2 Driftwood Log Kit (see page 26). If using the 1000BLKV2 (Birch) or 1000LSKV2 (Traditional) log kits, you may discard or recycle this plate.



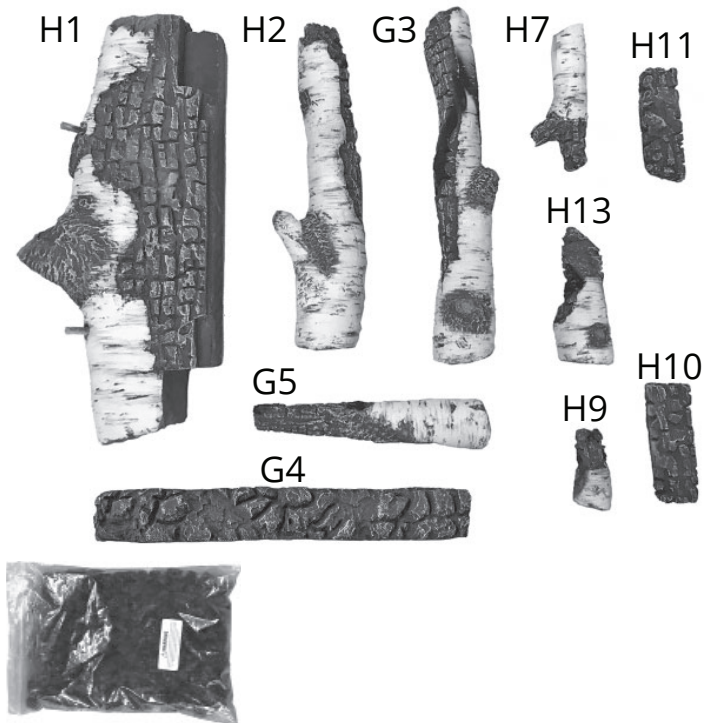
# Installation

## Fuel Beds

### Birch Log Kit 1000BLKV2

#### Material required

- Birch Log Kit, which contains:
  - 10 logs
  - 2 cups of embers, bagged
- Gloves, if desired (not included)

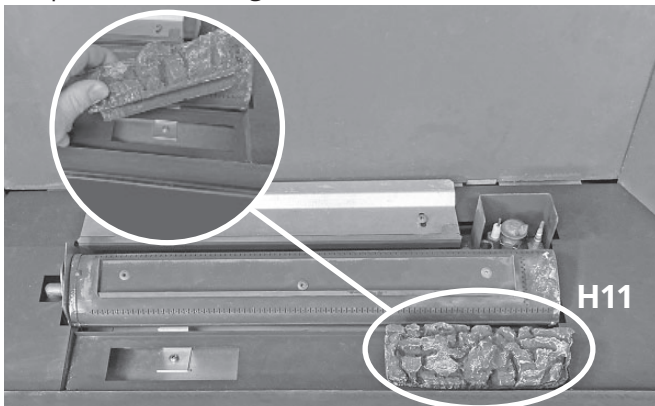


#### Installation

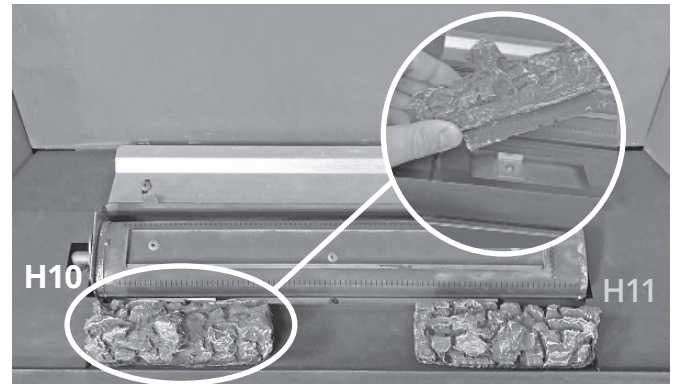
Carefully unpack the kit. Note each log has its own number stamped on the bottom. Some logs have pegs to help you place them on the burner platform, or other logs.

Install the logs as shown below.

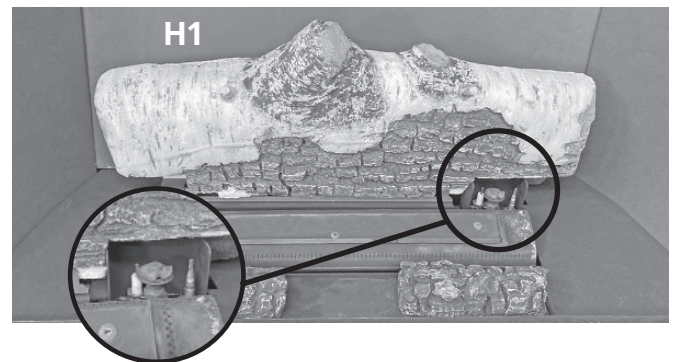
1. Place log H11 into the right hole in the front of the burner cover. Note the angled feature of H11 should be pointed to the right side.



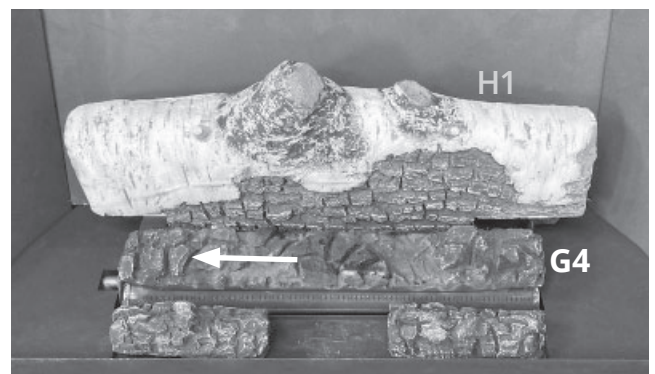
2. Place log H10 into the left hole in the front of the burner cover.



3. Place log H1 onto the rear support bracket, and slide it as far to the right as it will travel, gently resting the log against the pilot shield.



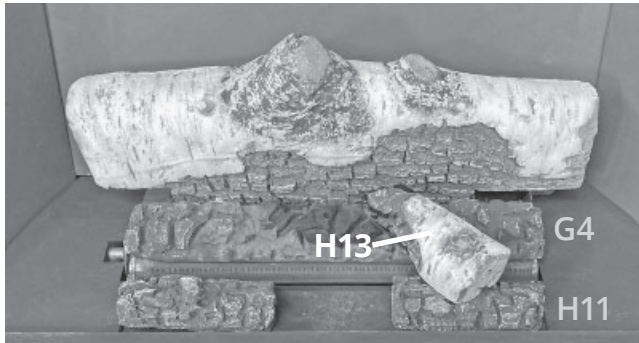
4. Place log G4 directly on the burner, its underside groove fitting on the front raised flange of the burner. Slide the log all the way to the left.



# Installation

## Fuel Beds

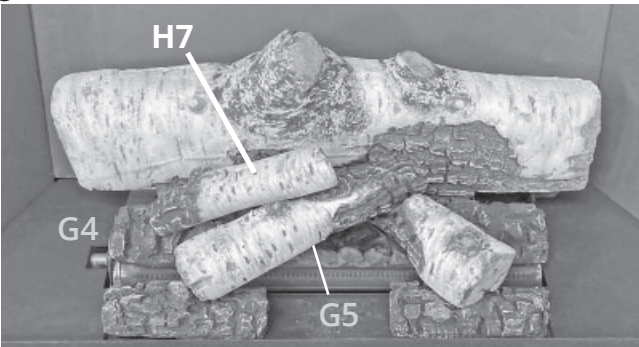
5. Place log H13 at the right end of G4, on top of H11.



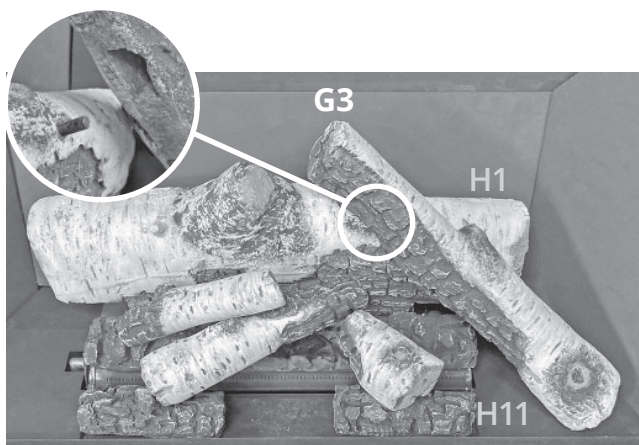
6. Place log G5 from the groove in H10 to the groove in H13.



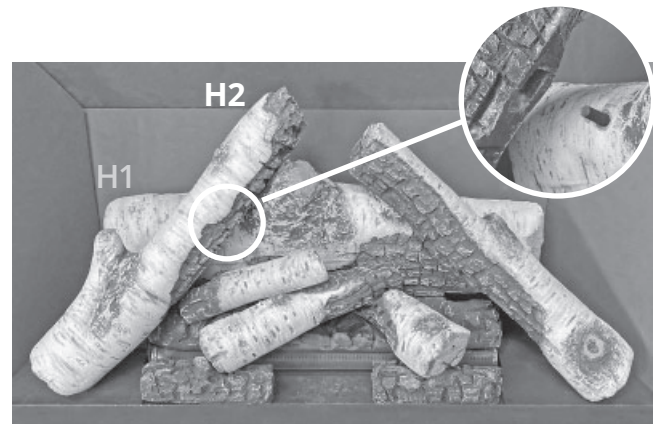
7. Place log H7 from the left side of G4 to the top groove of G5.



8. Place log G3 as shown. Note the hole in G3 fits onto the pin in H1.



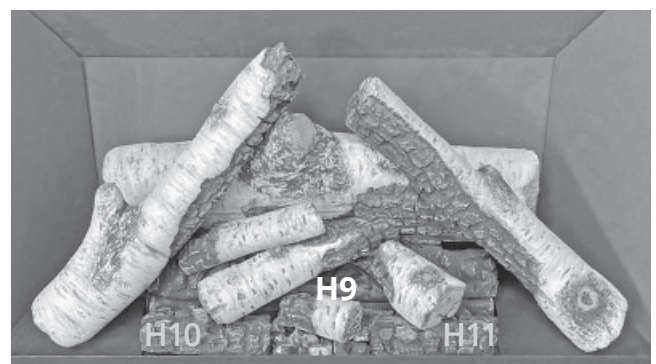
9. Place log H2 as shown. Note the hole in H2 fits onto the pin in H1.



10. Place embers as shown, between and behind H10 and H11 as desired. You may not need to use all the embers.



11. Place log H9 on top of the embers between H10 and H11.

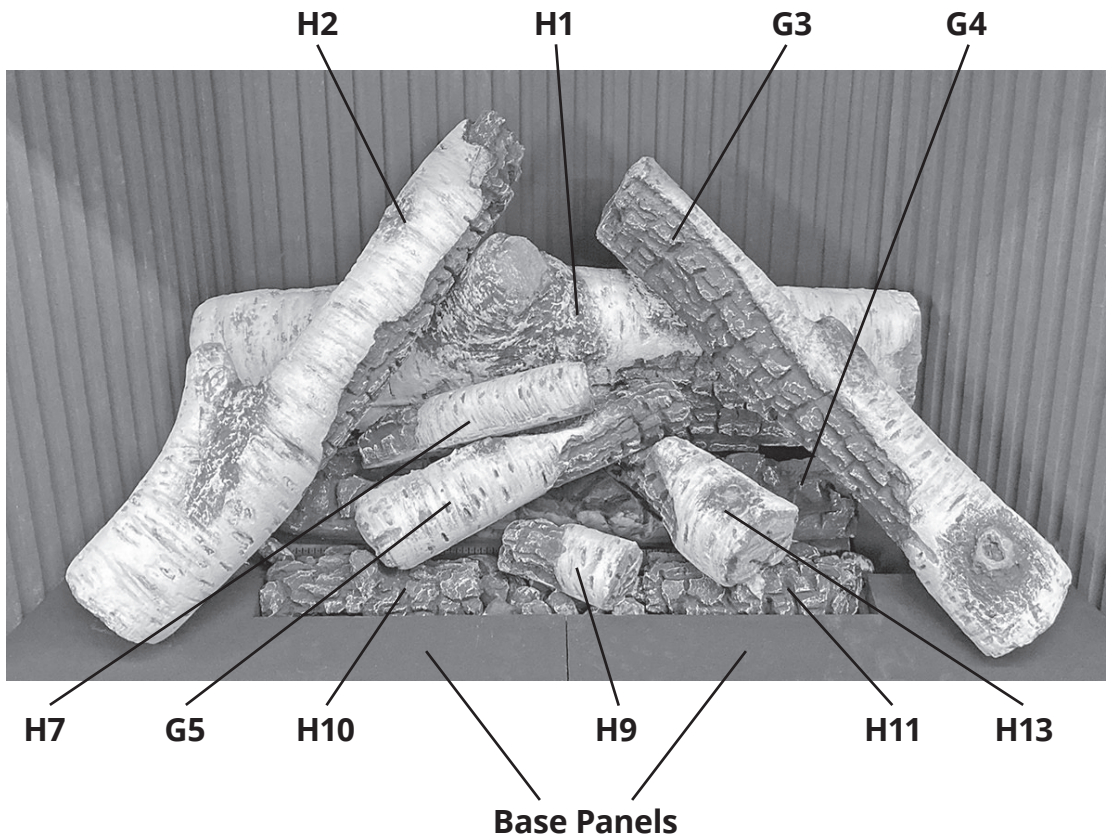




# Installation

## Fuel Beds

1000BLKV2 Birch Logs installed



### IMPORTANT

Approved for use only with the ceramic embers provided with your Valor fireplace. The use of any other products may void your fireplace warranty.



### WARNING

Choking Hazard! Ensure that the fireplace area is clear of embers as these could be ingested by small children. Vacuum area after installation.

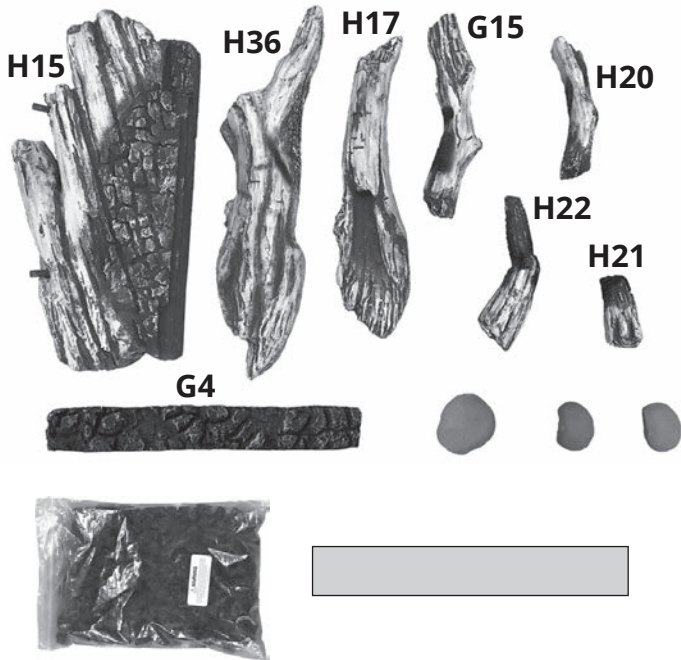
# Installation

## Fuel Beds

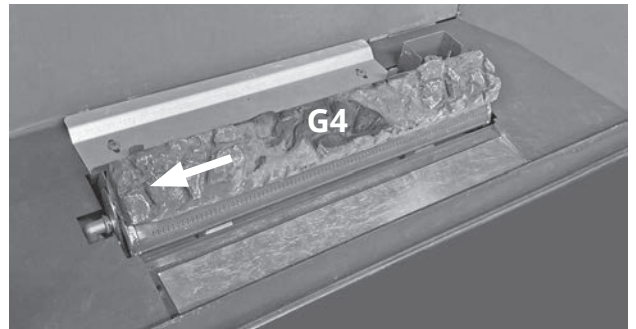
### Driftwood Kit 1000DWKV2

#### Material required

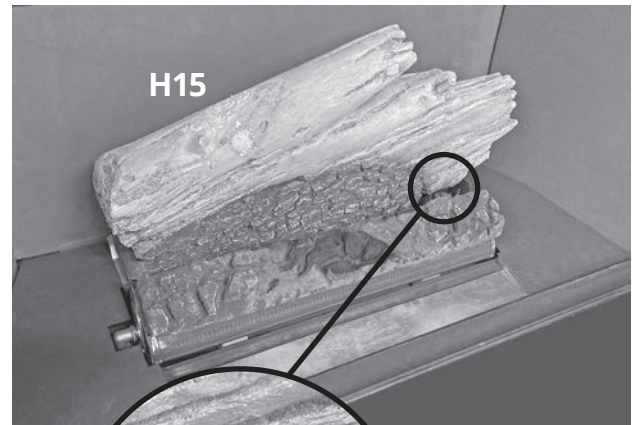
- Driftwood Log Kit, which contains:
  - 8 logs
  - 3 pebbles
  - 2 cups of embers, bagged
- 1 cover plate, supplied with appliance
- Gloves, if desired (not included)



2. Place log G4 directly on the burner, its underside groove fitting on the front raised flange of the burner. Slide the log all the way to the left.



3. Place log H15 onto the rear support bracket, and slide it as far to the right as it will travel, gently resting the log against the pilot shield.

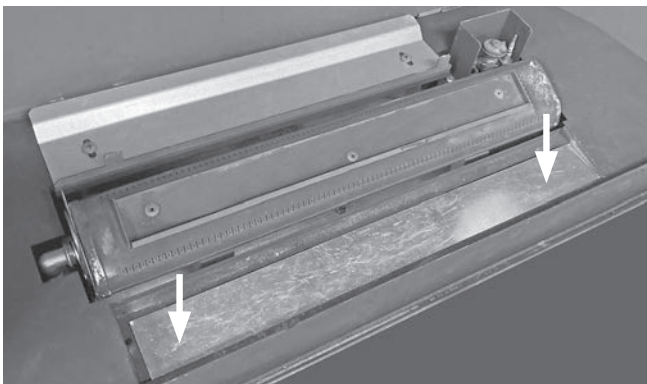


#### Installation

Carefully unpack the kit. Note each log and pebble has its own number stamped on the bottom. Some logs have pins and holes to help you place them on the burner platform, or other logs.

Install the logs as shown below.

1. Place the cover panel into the recess in front of the burner.



# Installation

## Fuel Beds

- Place log H22 at the right end of G4, on top of the cover panel.



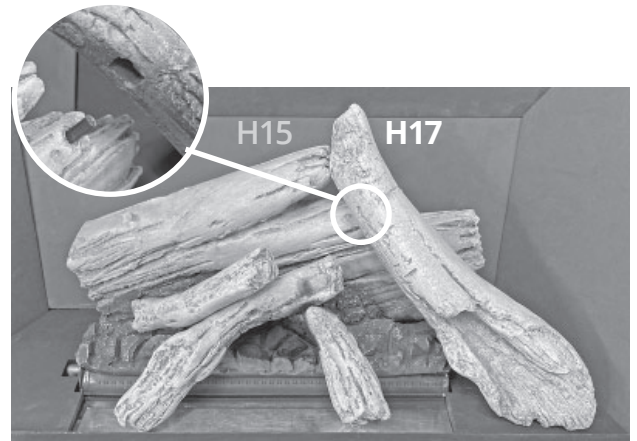
- Place log G15 from the cover panel to the groove in H22.



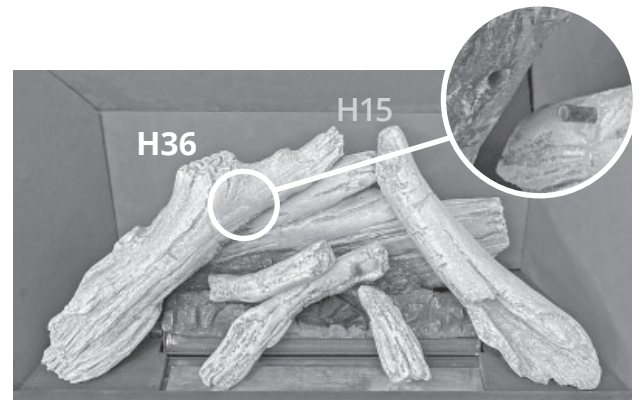
- Place log H20 from the left side of G4 to the top groove of G15.



- Place log H17 as shown. Note the hole in H17 fits onto the pin in H15.



- Place log H36 as shown. Note the hole in H36 fits onto the pin in H15.



- Place embers as shown on the cover plate. You may not need to use all the embers.



# Installation

## Fuel Beds

10. Place log H21 on top of the embers between G15 and H22.



11. Place pebbles as desired.



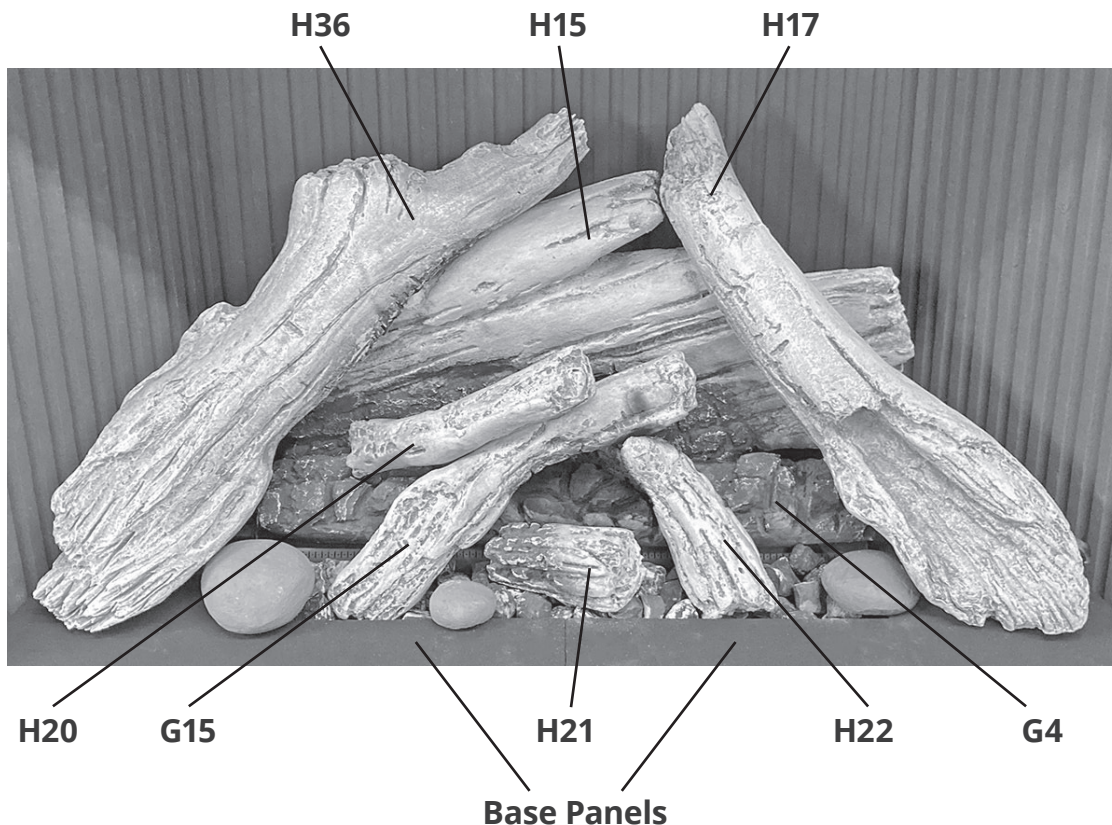
### IMPORTANT

Approved for use only with the ceramic embers provided with your Valor fireplace. The use of any other products may void your fireplace warranty.

### WARNING

**Choking Hazard!** Ensure that the fireplace area is clear of embers as these could be ingested by small children. Vacuum area after installation.

### 1000DWKV2 Driftwood Kit installed



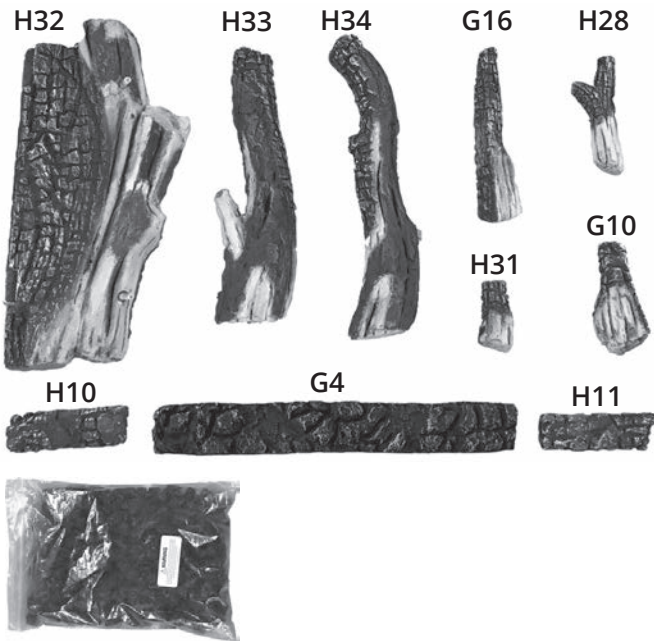
# Installation

## Fuel Beds

### Traditional Log Kit 1000LSKV2

#### Material required

- Traditional Log Kit, which contains:
  - 10 logs
  - 2 cups of embers, bagged
- Gloves, if desired (not included)

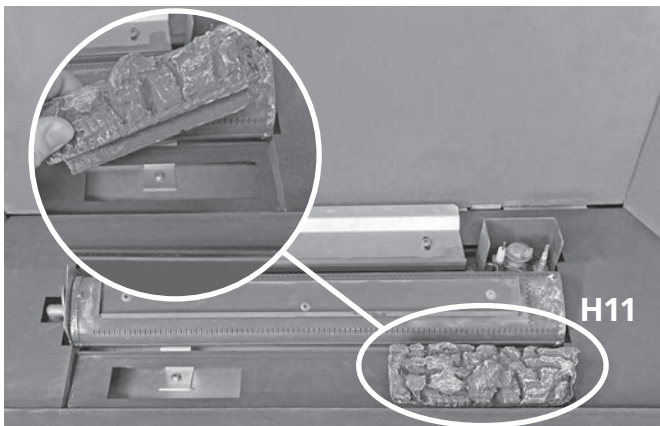


#### Installation

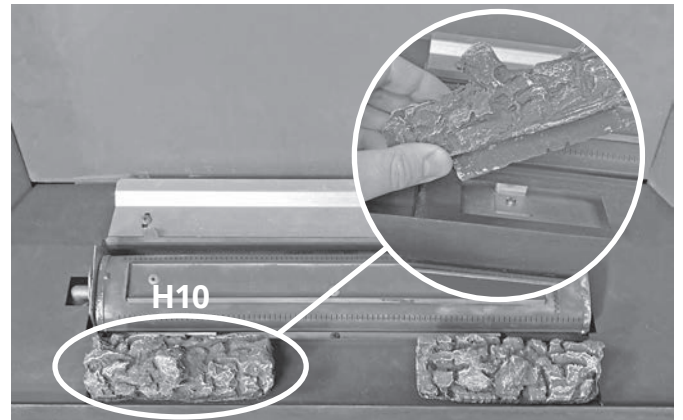
Carefully unpack the kit. Note each log has its own number stamped on the bottom. Some logs have pegs to help you place them on the burner platform, or other logs.

Install the logs as shown below.

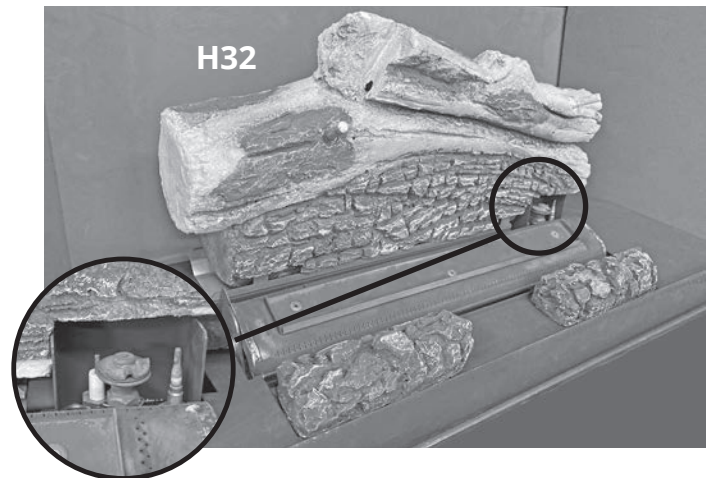
1. Place log H11 into the right hole in the front of the burner cover. Note the angled feature of H11 should be pointed to the right side.



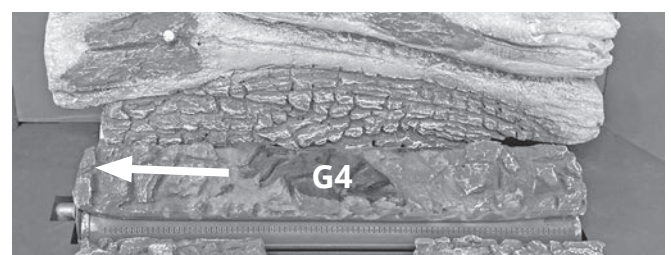
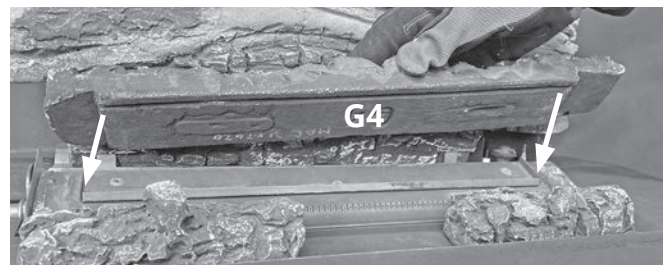
2. Place log H10 into the left hole in the front of the burner cover.



3. Place log H32 onto the rear support bracket, and slide it as far to the right as it will travel, gently resting the log against the pilot shield.



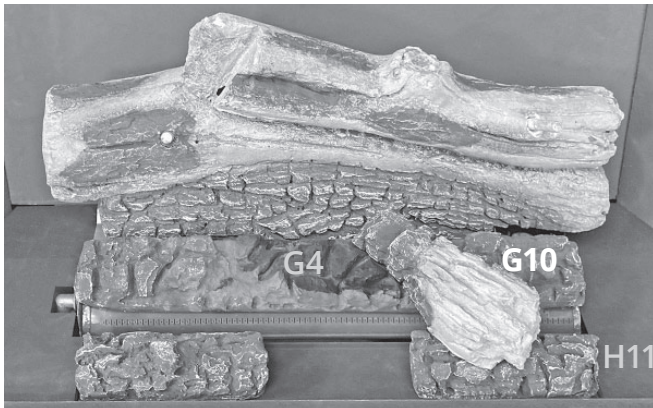
4. Place log G4 directly on the burner, its underside groove fitting on the front raised flange of the burner. Slide the log all the way to the left.



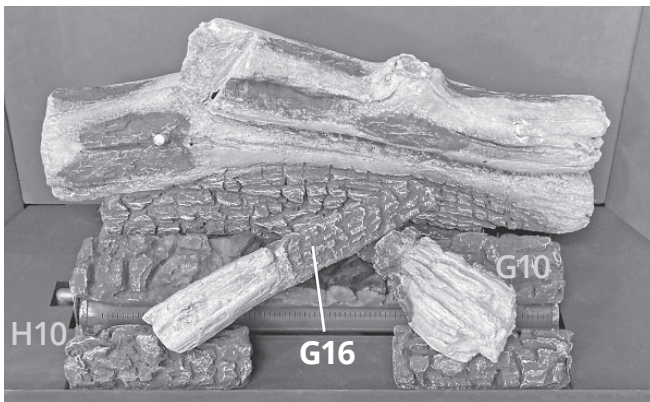
# Installation

## Fuel Beds

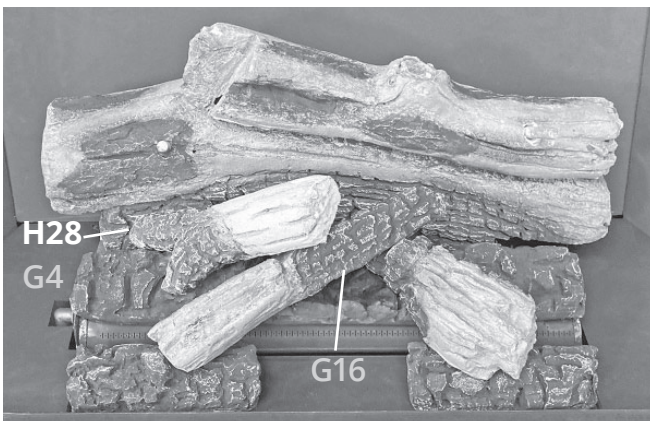
5. Place log G10 at the right end of G4, on top of H11.



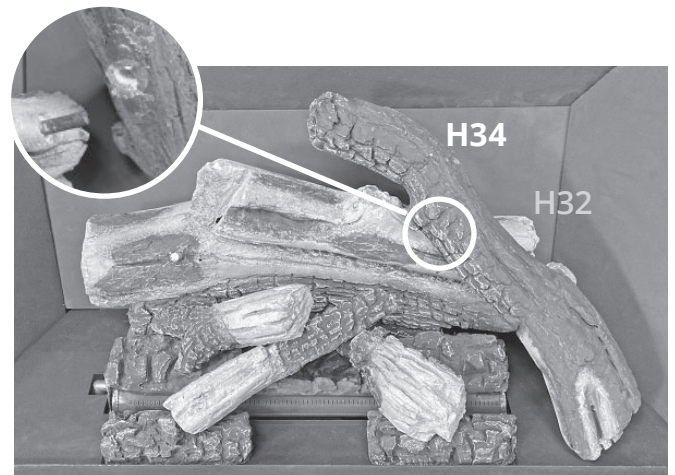
6. Place log G16 from the groove in H10 to the groove in G10.



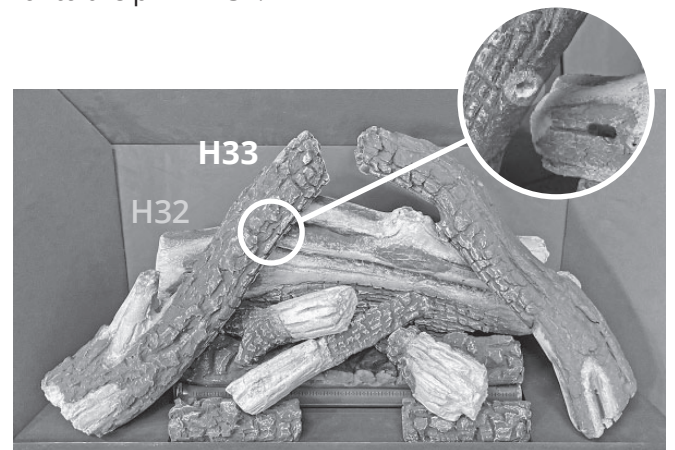
7. Place log H28 from the left side of G4 to the top of G16.



8. Place log H34 as shown. Note the hole in H35 fits onto the pin in H32.



9. Place log H33 as shown. Note the hole in H33 fits onto the pin in H32.



# Installation

## Fuel Beds

10. Place embers as shown, between and behind H10 and H11 as desired. You may not need to use all the embers.



11. Place log H31 on top of the embers between H10 and H11.



### IMPORTANT

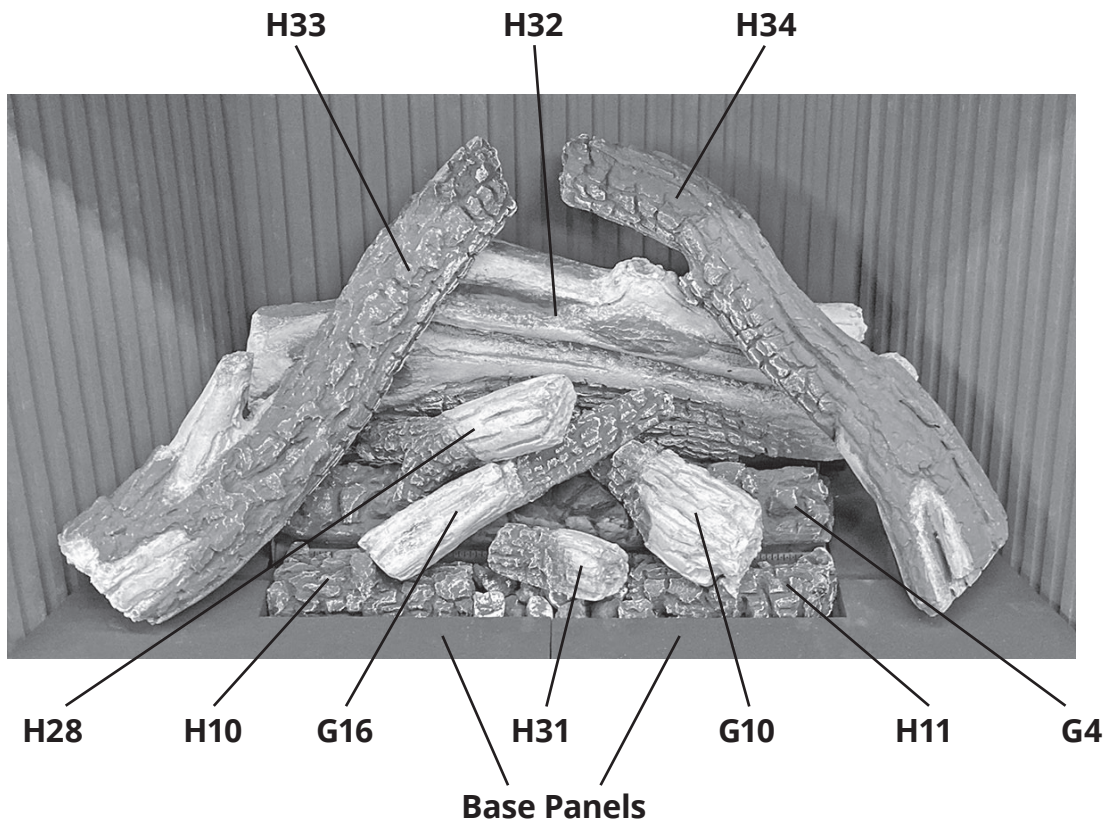
Approved for use only with the ceramic embers provided with your Valor fireplace. The use of any other products may void your fireplace warranty.



### WARNING

**Choking Hazard! Ensure that the fireplace area is clear of embers as these could be ingested by small children. Vacuum area after installation.**

### 1000LSKV2 Traditional Logs installed

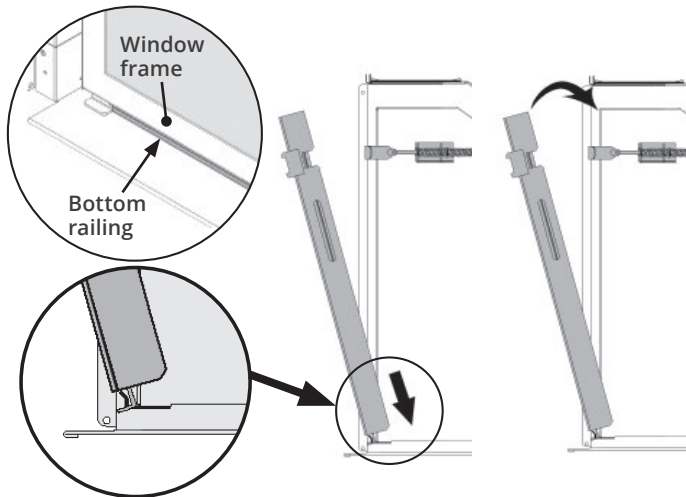


# Installation

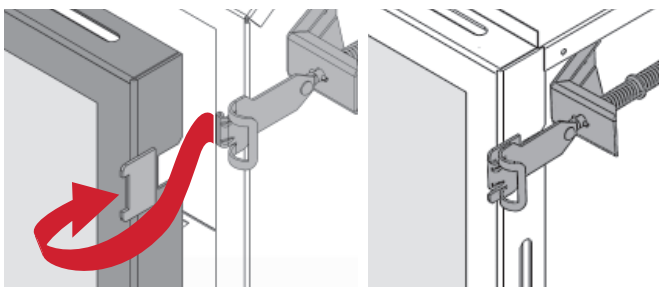
## Reinstall & Check Window

### Refit and Check Window

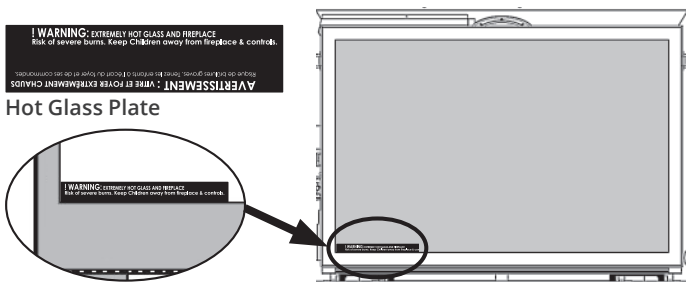
1. Place the window in its bottom railing and push its top against the firebox. **Ensure to remove any particles in the railing before installing the window.**



2. While you hold it, hook the side levers into the window tabs.



3. Pull out the top of the window and release it to ensure the springs return it.
4. Apply firm hand pressure around the window frame to ensure the window is sealed tight against the firebox.
5. If the Hot Glass Warning plate has been removed from the front lower corner of the window, reinstall it by sliding it between the glass and the frame as indicated below.



### **WARNING**

The window unit must be correctly installed, fastened and sealed after servicing or serious bodily injury and/or damage to the appliance may result.

To ensure a safe operation:

- Double-check that the bottom of the window frame is correctly installed in the bottom support railing;
- Verify that the levers are hooked properly to the window tabs then;
- Pull out the top of the window and release it to ensure the springs return it;
- Ensure the window is sealed before operation.

### **WARNING**

Failure to install the window correctly can:

- Leak carbon monoxide.
- Affect the performance of the fireplace.
- Damage components.
- Cause overheating resulting in dangerous conditions.

Damage caused by incorrect window installation is not covered by the Valor Warranty.



# Installation

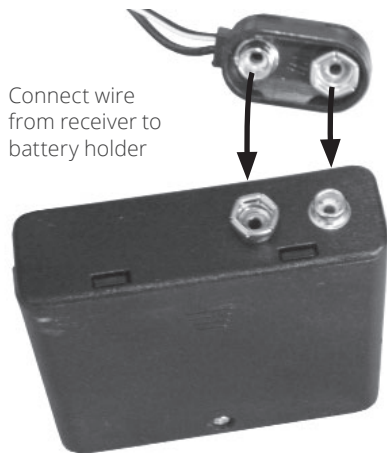
## Synchronize Remote Control

The receiver and the handset of the remote control system must be initially synchronized before the first use.

1. Remove the battery holder cover (1 screw).  
Insert 4 x 1.5V alkaline batteries in the holder.



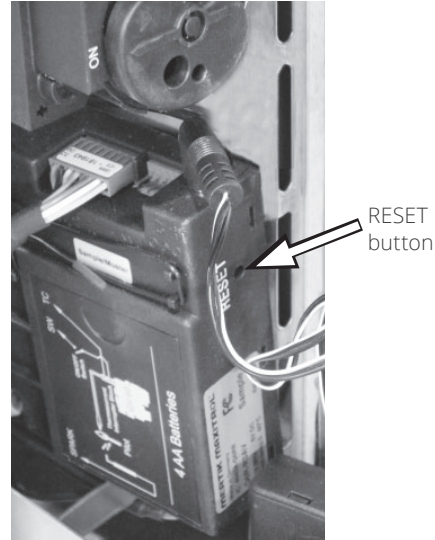
2. On the left hand side of the firebox, pull the loose wire that is already connected to the receiver and connect it to the battery holder.



3. Insert 1 9V alkaline battery in the handset.

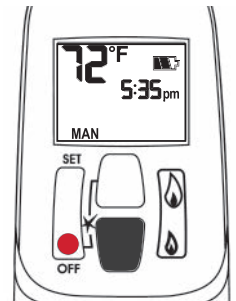
## Remote Control Pairing

4. With a sharp object, press and hold the receiver's RESET button until you hear one short and one long beep. Release the reset button after the second beep.

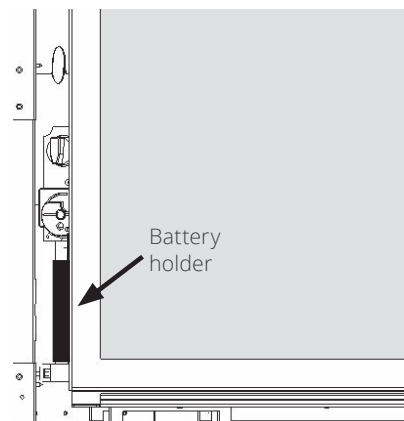


5. Within the subsequent 20 seconds, press the small flame button on the remote handset until you hear two short beeps confirming the synchronization is set.

This is a one time setting only and is not required when changing the batteries in the remote handset. The remote control system is now ready to use.



6. Inside the left panel of the appliance outer case, in front of the receiver, peel off the Velcro backing and stick the battery box on it to keep it in place.



# Installation

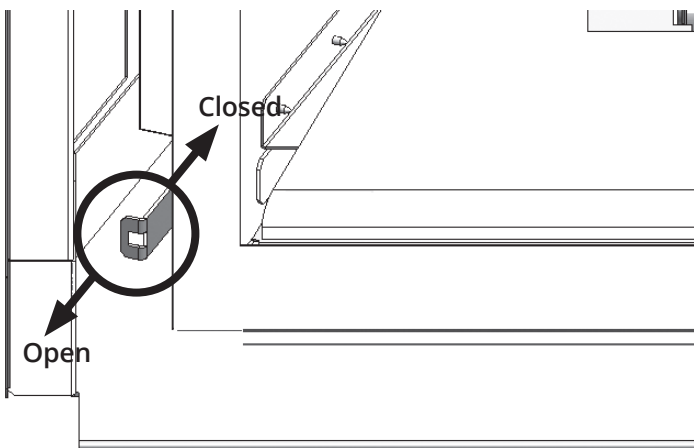
## Check Operation

Turn the fireplace flame up and down using the remote control to confirm that the full range of inputs is achieved—see “Appendix B–Remote Control Operation” on page 41.

## Adjust Aeration (if necessary)

Light the fire and allow the unit to warm up for 10–15 minutes to evaluate the flame picture. Burners are equipped with an adjustable shutter to control primary aeration. See the figures below. The shutters are factory-set to an aeration gap which will give optimum performance for the vast majority of installations.

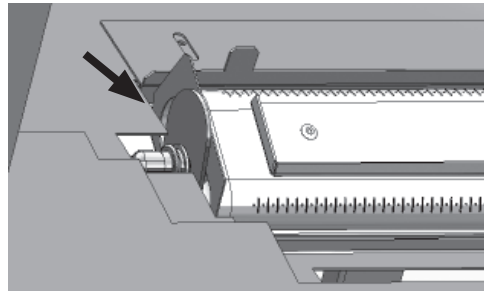
Depending of fuel bed used, altitude and other considerations, the flame picture may be improved by adjusting the aeration. The need for adjustment should be determined only by operating the appliance with the fuel bed, liners and window installed and evaluating the flame picture after a 15-minute warm-up.



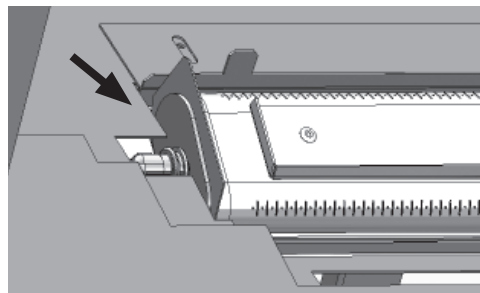
Pull or push the aeration lever at the bottom front left corner of the unit to open or close the air shutter. The shutter is visible at the left hand end of the burner.

## Check Operation and Aeration

Increasing aeration (open) will cause the flames to appear more transparent and blue showing more ceramic effects glow.



Decreasing aeration (close) will cause the flames to appear more yellow or orange showing less ceramic effects glow.



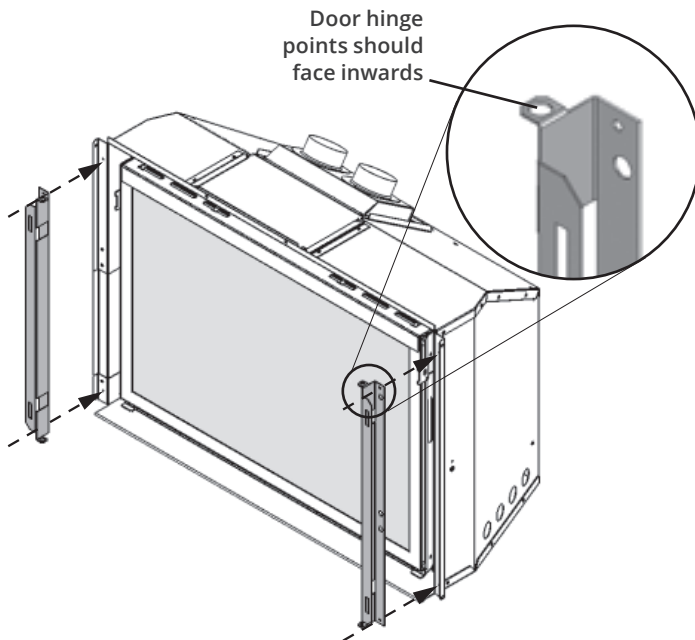
**Too little aeration may result in black carbon forming on the logs or roof panel and dropping into the firebox. May also result in carbon or soot stains on the vent termination and exterior wall around the termination! The Manufacturer is not responsible for any damage caused by an air shutter setting with too little aeration.**

### Install Side Shrouds

The side shrouds are required to install the front on the appliance. They are supplied with the engine.

Fit them to the appliance outer case as indicated (2 screws/side).

See instructions supplied with the front trim for installation of trim.



### Install Front, Trim and Barrier Screen

Install the front or trim chosen by the customer for their fireplace. Install as well the barrier screen which is provided with the front or trim.

Show the customer how to access the controls when the front or trim are installed and how to remove them.

Follow the instructions provided with the front or trim and leave those instructions behind for the customer's further reference.

# Installation

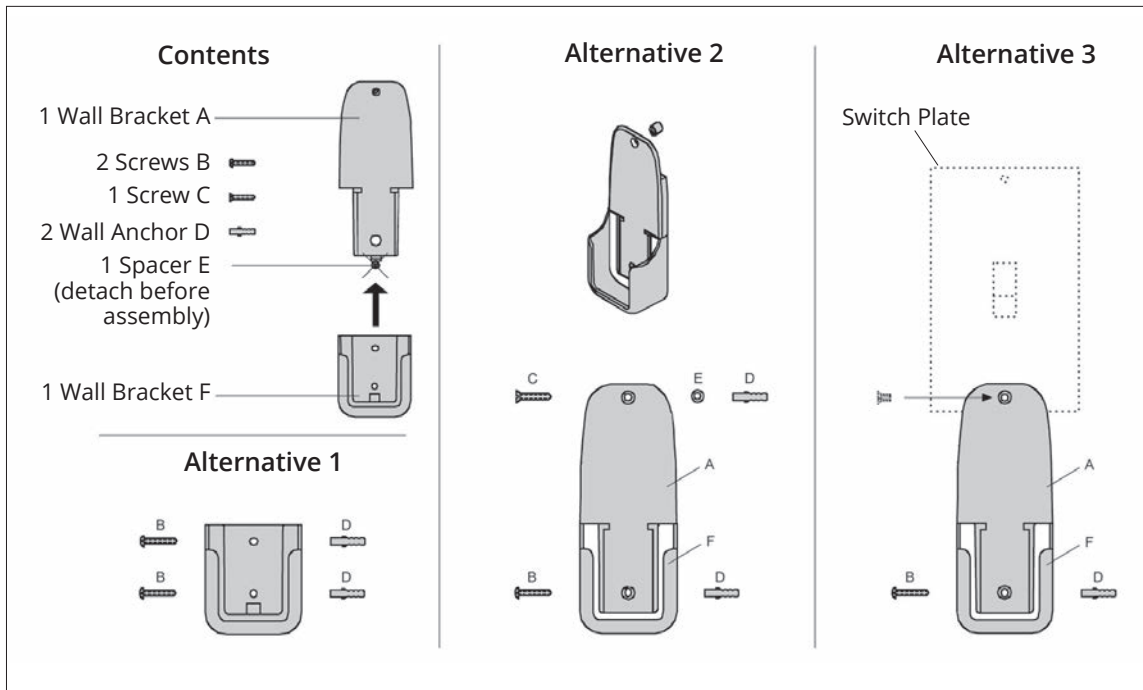
## Handset Wall Holder

### Install Handset Wall Holder

The remote control kit for this fireplace comes complete with a wall-mounted holder. This holder is not required in all installations but is provided as an optional feature for those customers who wish to mount the remote handset to the wall.

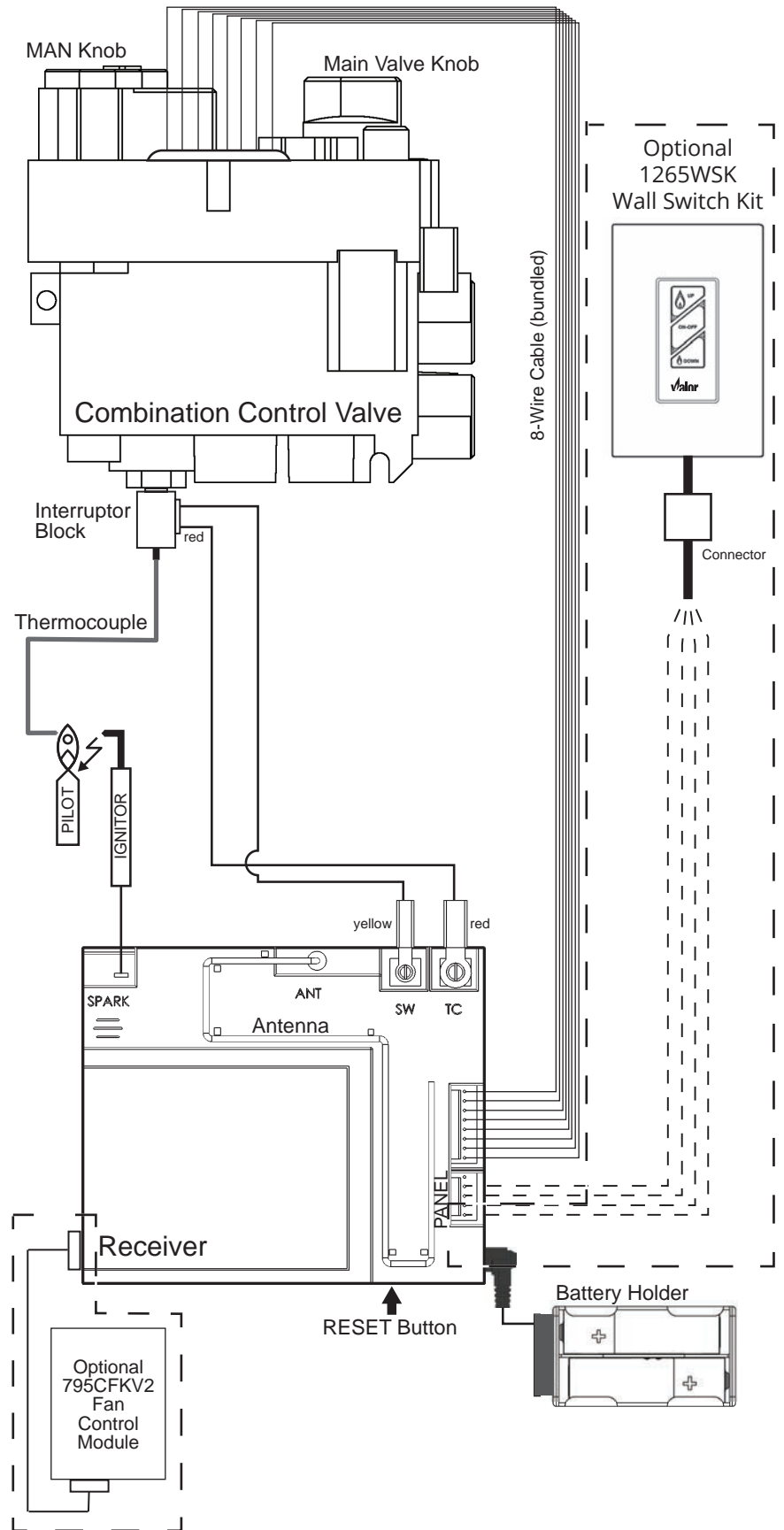
To install the holder to the wall, find a convenient location and use the hardware provided with the kit. See the diagram below for required hardware and configurations. Note that the holder can be installed at the base of a light switch plate.

**IMPORTANT.** The location of the remote control handset is important to assure proper temperature regulation. To obtain a constant temperature, we recommend that the handset should be between 3 and 15 feet away from the appliance **but not directly above it**. We also advise that the handset should be located away from any other heat source and not in direct sunlight as this may affect the temperature sensor located in the remote handset.



# Wiring Diagram



## GV60 Wiring Diagram



### WARNING

**NO ELECTRICAL CONNECTION ALLOWED for any outdoor installation!**

# Approved Venting Components

Approved Direct Vent Suppliers for Valor Models 700 <sup>3</sup> , 739 <sup>2</sup> , 780 <sup>3</sup> and 785 <sup>4</sup>							
  Venting Parts Description		Venting Parts Code / availability by Manufacturer					
		DURA-VENT	SELKIRK	ICC EXCEL DIRECT	AMERIVENT	MILES INDUSTRIES	BDM
Termination Caps	Vertical	Standard Co-axial	46DVA-VC	4DT-VT	—	4DVC 4DH-1313	— DVR6-VCH DVR6-VCSB
		High Wind Co-axial	46DVA-VCH	—	TM-4SVT	—	—
		Extended Co-axial	46DVA-VCE	—	—	—	—
	Horizontal	Co-linear	46DVA-CL33 46DVA-CL33H 46DVA-CL33P	—	TM-IVT	HCL-99-33 HCL-913-33 HCL-1313-33	559CLT 940033B 940033HWS 940033RD
—			—	—	—	720SWK-M for 739M & 739V 720SWK-M2 for 700M & 780M	—
Vent Adapters / Couplers	Universal Adapter 3” Flex Coupler		2150	—	TM-CFAA3	—	95090390
	Co-linear Flex Connector		46DVA-ADF	—	—	—	—
	Co-linear-to-Co-axial Adapter		46DVA-GK 46DVA-CLTA	—	TM-4CTA	4DCAT33	—
Aluminum Flexible Liner	3” diameter		NOTE: 2-ply liner approved to CAN/ULC S635 suitable for venting gas appliances. As manufactured by Z-Flex, Flexmaster and others.				
			2280 Series	AF3-35L	TM-ALK33 TM-ALT33	—	—
Flashings	Roof Flashing 0/12-6/12		46DVA-F6	4DT-AF6	TF-4FA	4DF (0/12-5/12)	— DVR6-AF012
	Roof Flashing 7/12-12/12		46DVA-F12	4DT-AF12	TF-4FB	4DF12 (6/12-12/12)	— DVR6-AF712
	Flat Roof Flashing		46DVA-FF	—	TF-4F	—	— DVR6-TCF
	Masonry Flashing		—	—	TF-4MF	—	559FSK

- Notes:**
1. Follow instructions supplied with each manufacturer's components.
  2. The 720SWK-M Sidewall Kit can only be installed on the 739M and 739V models.
  3. The 720SWK-M2 Sidewall Kit can only be installed on the 700M and 780M models.
  4. The 720SWK-M2 Sidewall Kit CANNOT be installed on the 785Y models.

# Commonwealth of Massachusetts

## State of Massachusetts Carbon Monoxide Detector/Vent Terminal Signage Requirements

For all side wall horizontally vented gas fueled equipment installed in every dwelling, building or structure used in whole or in part for residential purposes, including those owned or operated by the Commonwealth and where the side wall exhaust vent termination is less than seven (7) feet above finished grade in the area of the venting, including but not limited to decks and porches, the following requirements shall be satisfied:

### 1. INSTALLATION OF CARBON MONOXIDE DETECTORS.

At the time of installation of the side wall horizontal vented gas fueled equipment, the installing plumber or gas fitter shall observe that a hard wired carbon monoxide detector with an alarm and battery back-up is installed on the floor level where the gas equipment is to be installed. In addition, the installing plumber or gas fitter shall observe that a battery operated or hard wired carbon monoxide detector with an alarm is installed on each additional level of the dwelling, building or structure served by the side wall horizontal vented gas fueled equipment. It shall be the responsibility of the property owner to secure the services of qualified licensed professionals for the installation of hard wired carbon monoxide detectors.

a. In the event that the side wall horizontally vented gas fueled equipment is installed in a crawl space or an attic, the hard wired carbon monoxide detector with alarm and battery back-up may be installed on the next adjacent floor level.

b. In the event that the requirements of this subdivision can not be met at the time of completion of installation, the owner shall have a period of thirty (30) days to comply with the above requirements; provided, however, that during said thirty (30) day period, a battery operated carbon monoxide detector with an alarm shall be installed.

2. APPROVED CARBON MONOXIDE DETECTORS. Each carbon monoxide detector as required in accordance with the above provisions shall comply with NFPA 720 and be ANSI/UL 2034 listed and IAS certified.

3. SIGNAGE. A metal or plastic identification plate shall be permanently mounted to the exterior of the building at a minimum height of eight (8) feet above grade directly in line with the exhaust vent terminal for the horizontally vented gas fueled heating appliance or equipment. The sign shall read, in print size no less than one-half (1/2) inch in size, "GAS VENT DIRECTLY BELOW. KEEP CLEAR OF ALL OBSTRUCTIONS".

4. INSPECTION. The state or local gas inspector of the side wall horizontally vented gas fueled equipment shall not approve the installation unless, upon inspection, the inspector observes carbon monoxide detectors and signage installed in accordance with the provisions of 248 CMR 5.08(2)(a)1 through 4.

(b) EXEMPTIONS: The following equipment is exempt from 248 CMR 5.08(2)(a)1 through 4:

1. The equipment listed in Chapter 10 entitled "Equipment Not Required To Be Vented" in the most current edition of NFPA 54 as adopted by the Board; and

2. Product Approved side wall horizontally vented gas fueled equipment installed in a room or structure separate from the dwelling, building or structure used in whole or in part for residential purposes.

(c) MANUFACTURER REQUIREMENTS - GAS EQUIPMENT VENTING SYSTEM PROVIDED. When the manufacturer of Product Approved side wall horizontally vented gas equipment provides a venting system design or venting system components with the equipment, the instructions provided by the manufacturer for installation of the equipment and the venting system shall include:

1. Detailed instructions for the installation of the venting system design or the venting system components; and

2. A complete parts list for the venting system design or venting system.

(d) MANUFACTURER REQUIREMENTS - GAS EQUIPMENT VENTING SYSTEM NOT PROVIDED.

When the manufacturer of a Product Approved side wall horizontally vented gas fueled equipment does not provide the parts for venting the flue gases, but identifies "special venting systems", the following requirements shall be satisfied by the manufacturer:

1. The referenced "special venting system" instructions shall be included with the appliance or equipment installation instructions; and

2. The "special venting systems" shall be Product Approved by the Board, and the instructions for that system shall include a parts list and detailed installation instructions.

(e) A copy of all installation instructions for all Product Approved side wall horizontally vented gas fueled equipment, all venting instructions, all parts lists for venting instructions, and/or all venting design instructions shall remain with the appliance or equipment at the completion of the installation.

# Appendix A–Lighting Instructions Plate

## FOR YOUR SAFETY, READ BEFORE LIGHTING

**WARNING:** If you do not follow these instructions exactly a fire or explosion may result causing property damage, personal injury or loss of life.

A. This appliance has a pilot which must lighted by hand or by remote control. Follow these instructions exactly. To save gas, turn the pilot off when not using the appliance for a prolonged period of time.

B. **BEFORE LIGHTING**, smell all around the appliance area for gas. Be sure to smell next to the floor because some gas are heavier than air and will settle on the floor.

### WHAT TO DO IF YOU SMELL GAS

- Do not try to light any appliance.
- Do not touch any electric switch; do not use any phone in your building.
- Immediately call your gas supplier from a neighbor's phone. Follow the gas supplier's instructions.
- If you cannot reach your gas supplier, call the fire department.

C. Use only your hand to push in or turn the control knobs. Never use tools. If the knobs will not push in or turn by hand, don't try to repair them; call a qualified service technician. Force or attempted repair may result in a fire or explosion.

D. Do not use this appliance if any part has been under water. Immediately call a qualified service technician to inspect the appliance and to replace any part of the control system and any gas control, which has been under water.

## LIGHTING INSTRUCTIONS

1. STOP! Read the safety information above

2. TO CLEAR ANY GAS, turn main valve off by pressing OFF (red dot) button on remote handset (1).

- Wait five (5) minutes to clear out any gas, then smell for gas, including near the floor. If you smell gas, STOP! Follow "B" in the safety information above on this label. If you don't smell gas, go to the next step.

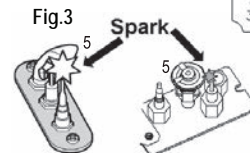
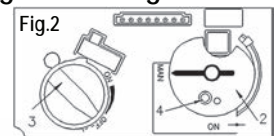
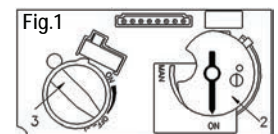
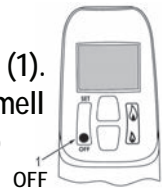
3. **AUTOMATIC IGNITION:** MAN-knob (2) in ON position. Ensure Flame Adjustment knob (3) is set to lowest setting ( ◡ ) (Fig. 1). Locate the pilot (Fig. 3) inside firebox.

- On the remote control handset, press the OFF button (red dot) and large flame button ( 🔥 ) simultaneously; a short acoustic signal confirms the start has begun.
- Further short acoustic signals indicate the ignition process is in progress.
- When the pilot is lit, the Flame Adjustment knob (3) will automatically rotate to the highest setting.
- Press the small flame button ( 🔥 ) on the remote.

4. **MANUAL IGNITION:** MAN-knob (2) in MAN position (Fig. 2).

With the window off, locate the pilot (Fig. 3) inside firebox.

- Set Flame Adjustment knob (3) to the lowest setting ( ◡ ).
- Push down the metallic core (4) with a pin or similar instrument; this will establish the pilot gas flow.
- Light gas at the pilot (5) with a match.
- Continue holding down metal core (4) for about 10 seconds; after release, pilot should remain lit.
- If the pilot will not stay lit after several tries, turn the gas control knob (3) to OFF ( ◡ ) and call your local service technician or gas supplier.
- Reinstall the window and set the MAN-knob (2) to ON; turn Flame Adjustment knob (3) up ( ◡ ) or down ( ◡ ) manually or use the flame buttons ( 🔥 ) ( 🔥 ) on the remote control handset to adjust the flame height.



## TO TURN OFF GAS TO APPLIANCE

1. **AUTOMATIC SHUT-OFF** (using the remote control handset):

- Press and hold the small flame on the remote control handset to shut-off the main burner gas flow;
- Press "OFF" button (red dot) on remote handset to shut-off the appliance, including pilot flame.



# Appendix B-Remote Control Operation

## Radio Frequency

315 MHz for USA and Canada.

This device complies with Part 15 of the FCC Rules and with Industry Canada license-exempt RSS standard(s). Operation is subject to the following two conditions:  
 (1) this device may not cause harmful interference, and  
 (2) this device must accept any interference received, including interference that may cause undesired operation.

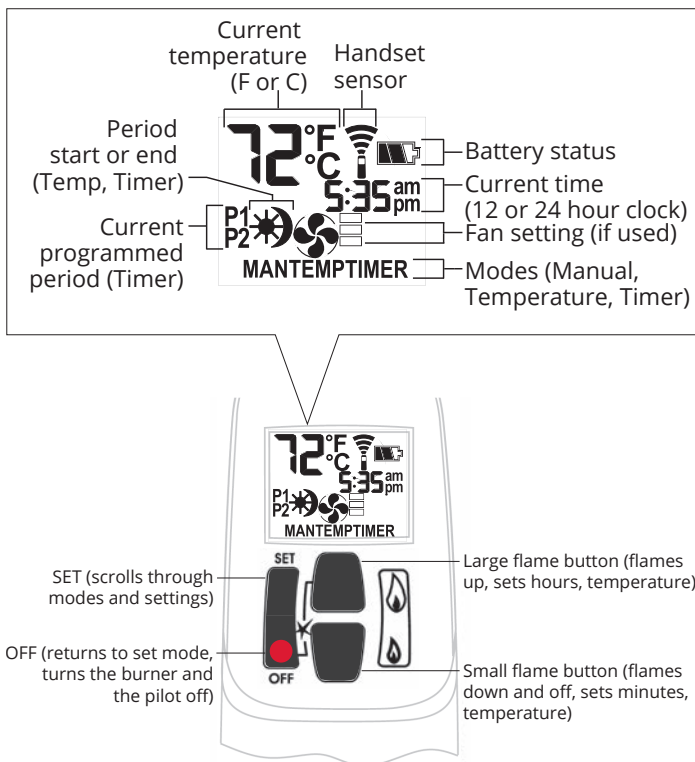
**NOTE: Before using the remote control system for the first time**, the receiver and the handset must be synchronized. See the section *Synchronize Remote Control*.

**IMPORTANT: BEFORE YOU BEGIN**, please note that on this system, the settings of time, temperature and automatic ON/OFF **can only be programmed when the function display is flashing**. Be patient when programming as it can take a few seconds to set.

Note: In the TEMP or TIMER modes, the remote handset senses the room temperature and adjusts the flame accordingly.

To communicate, the handset should be within 15 feet (4.5 meters) of the fireplace.

**Do not leave the handset on the mantel or hearth.**



## Turn Fireplace ON

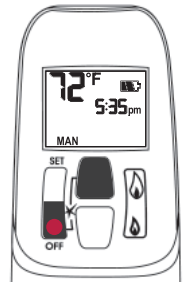
Press ● + 🔥 buttons until you hear a short beep; release buttons.

Beeps continue until pilot is lit.

Burner lits to maximum flame height and handset goes automatically to manual (MAN) mode.

NOTES:

On the valve, MAN button must be at ON, in full counter-clockwise position ↺.



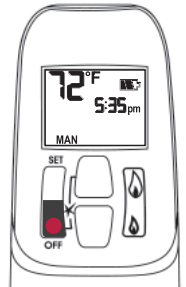
## Turn Fireplace OFF

Press ● button.

When pilot is just turned off, wait 2 minutes to light it again.

## Standby Mode (Pilot Flame)

Press and hold 🔥 to set fireplace to pilot.



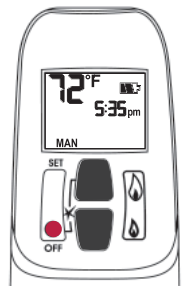
## Adjust Flames Height

With pilot lit, press and hold buttons:

🔥 = increase flame height

🔥 = decrease flame height or set to pilot

For fine adjustment, tap buttons.



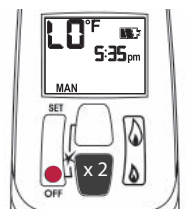
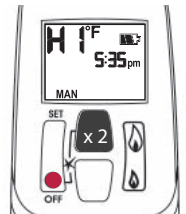
## Express Low and High Fire

Double-click buttons:

🔥 = increase flame to maximum height "HI"

🔥 = decrease flame minimum height "LO"

NOTE: Flame goes to high fire first before going to designated low fire.

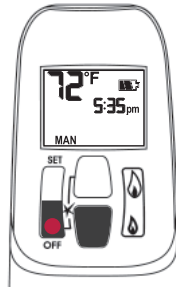


# Appendix B-Remote Control Operation

## Setting °C/24-hr or °F/12-hr clock

In MAN mode, press ● + 🔥 buttons until temperature / clock display changes from

°F / 12-hour ↔ °C / 24-hour



## Setting Time

The time display will flash after either:

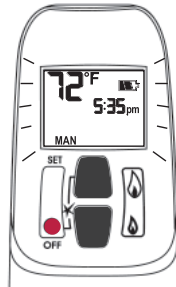
- installing the battery, or
- pressing 🔥 + 🔥

To set the time, press buttons:

🔥 = hour

🔥 = minutes

Press ● or wait to go back to MAN.



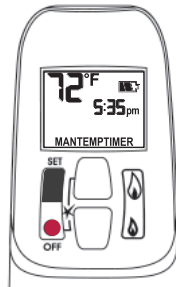
## Modes of Operation

Briefly press SET cycles through modes of operation.

MAN > TEMP > Light > Fan >

TEMP > TIMER > MAN

NOTE: Press 🔥 or 🔥 to reach MAN mode.



### MAN Manual Mode

Manual flame height adjustment.



### TEMP Daytime Temperature Mode

When pilot is lit, room temperature is measured and compared to set temperature. Flame height automatically adjust to reach Daytime Set Temperature.



### Light Dimmer Mode

Not available on this fireplace.



### Fan Mode

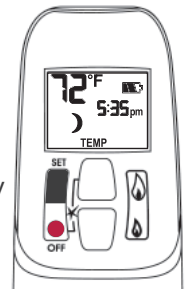
Turns fan ON and OFF and adjusts speed.



Note: To turn fan OFF, press 🔥 until all 4 bars disappear.

### TEMP Night time Setback Temperature Mode

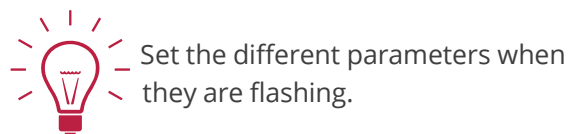
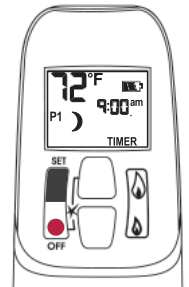
When pilot is lit, room temperature is measured and compared to set temperature. Flame height automatically adjust to reach Night Time Setback Temperature.



### TIMER Timer Mode

When pilot is lit, two periods of time (P1 and P2) can be programmed to use Daytime and Night time temperatures at specific times.

Note: Display shows set temperature every 30 seconds.



# Appendix B-Remote Control Operation

## Circulating Fan Operation (if equipped)

Circulating fan has 4 speed levels from low to high (1 to 4 bars).

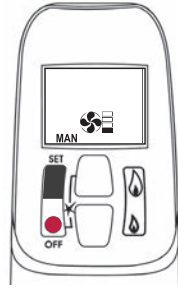
Press SET to scroll to . Fan and level icons flash.

To set speed, press flame buttons:

= increases speed.

= decreases speed and turns OFF fan when all bars disappear.

Note: 8 seconds after the fan is set, handset goes automatically in temperature control mode. Fan starts 4 minutes after gas opens (from OFF or pilot) at maximum speed then goes to displayed level after 10 seconds. Fan stops 10 minutes after gas is OFF or at pilot.



## Setting Program Timers

You can program two periods of time between 12 am and 11:50 pm in each 24-hour cycle.

Programs P1 and P2 must be set in the following order during a 24-hour cycle: **P1** , **P1** , **P2** and **P2** .

= Day Time temperature (high) program period

= Night Time temperature (low) program period

### Default Settings:

Program 1: **P1** 06:00 am **P1** 08:00 am

Program 2: **P2** 11:50 pm **P2** 11:50 pm

Press SET to scroll to **TIMER**.



If **P1** = **P1** or **P2** = **P2** , programming is cancelled.

To keep fireplace ON all night, set **P2** at 11:50 am and **P1** at 12:00 am.

If you want to program only one period, program **P1** and **P1** with desired times then **P2** and **P2** with the same time as **P1** .

## Setting high / low Temperatures

### Setting "DAYTIME" high temperature.

Default Settings: **TEMP** 23 °C/74 °F

Press SET to scroll to **TEMP**

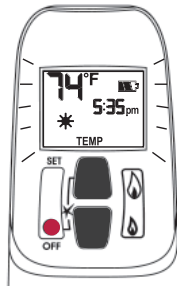
Hold SET button until TEMP flashes.

To set Daytime Temperature:

= increases temperature.

= decreases temperature.

Press or wait to complete setting.



### Setting P1 time - high temperature.

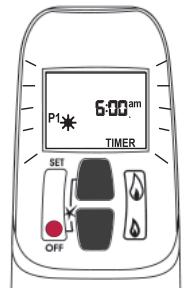
Hold SET button until **P1** is displayed and time flashes.

To set time:

= hour

= minutes

Press or wait to complete setting.



### Setting "NIGHT TIME SETBACK" low temperature.

Default Settings: **TEMP** "--" (OFF)

Press SET to scroll to **TEMP**

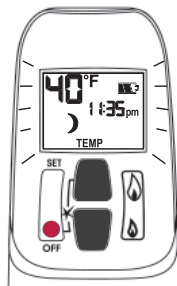
Hold SET button until TEMP flashes.

To set Night Time Temperature:

= increases temperature.

= decreases temperature.

Press or wait to complete setting.



### Setting P1 time - low temperature.

Hold SET button until **P1** is displayed and time flashes.

To set time:

= hour

= minutes

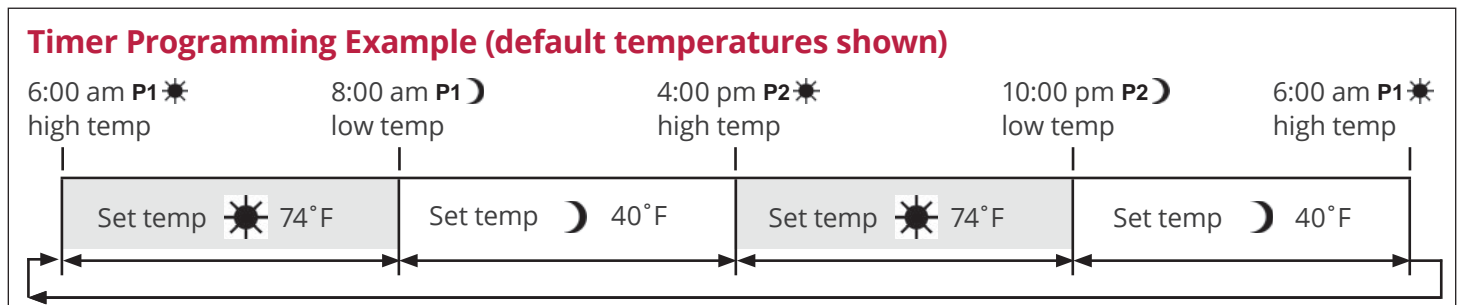
Press or wait to complete setting.

# Appendix B—Remote Control Operation

Setting P2 high and low temperature times.

Repeat same steps as Setting P1.

When all settings are complete, press ● to save them.



## Automatic Turn Down

### 8 Hour no Motor Movement

The valve will turn to pilot flame if there is no motor movement for an 8-hour period.

## Automatic Shut-Off

**Low Batteries Receiver.** With low battery power in the battery holder the system shuts off the fire completely. This does not apply when the power supply is interrupted.

**On-Demand Pilot (7 Day Shut-Off).** This green feature eliminates gas energy consumption during extended appliance inactivity. When the appliance is inactive for an extended period of time the system automatically extinguishes the pilot. This feature helps the consumer realize cost benefits by automatically eliminating energy consumption during non-heating months and limited use.

The programmed length of inactivity to activate the system is specified by the appliance manufacturer and cannot be altered in the field.

## Low Battery Indication

**Handset:** The battery icon  will show when the battery needs to be replaced. Replace with one 9 V **alkaline**

### Caution

DO NOT USE a screwdriver or other metallic object to remove batteries from holder. This could cause a short-circuit.

battery.

**Battery holder:** Frequent 'beeps' for 3 seconds when the valve motor turns indicate the batteries need to be replaced in battery holder. Replace with four 1.5 V **alkaline** batteries.

## Handset / Receiver Match

The remote control handset and receiver are programmed to function together. In case of a replacement of the handset or the receiver, you will need to reset the receiver to allow them to function together. Contact your dealer for details.

# Appendix C–Spare Parts

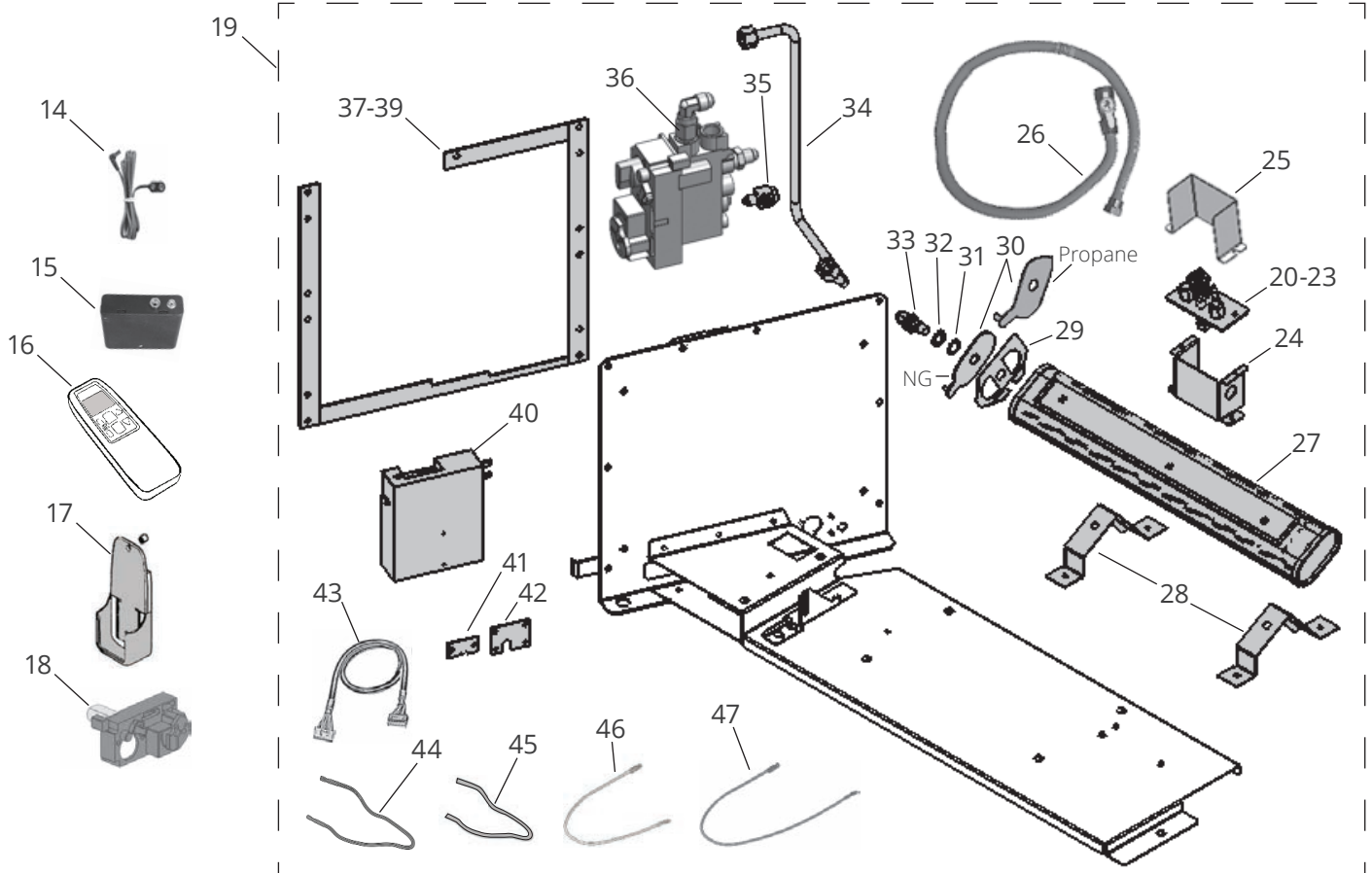
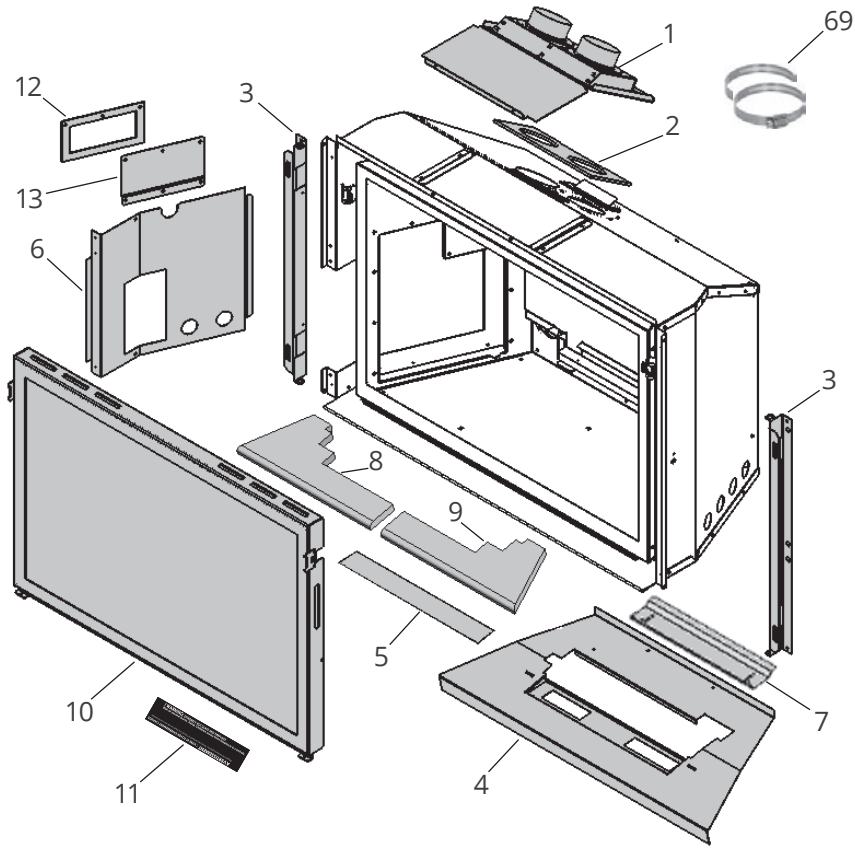
	Description	Part Number
1	Autofire vent plate assembly	4006540
2	Exhaust plate gasket	4001662
3	Shroud (2)	4002446AZ
4	Burner cover platform	4007794BY
5	Cover panel, Driftwood Kit	4007895
6	Side cover	4002289
7	Support bracket	4007479
8	Left hand base panel	4007883
9	Right hand base panel	4007884
10	Window assembly	4004463
11	Hot glass warning plate	4003093
12	Access plate gasket	4002664
13	Valve access plate	4002510
14	Battery holder cable (1500 mm)	4006552
15	Battery holder	4008039
16	Handset GV60 MAX	4002251
17	Handset wall holder	9000008
18	GV60 valve repair kit (not included)	4004544
19	Module assembly (natural gas)	4007783S
	Module assembly (propane)	4007852S
20	Pilot assembly (natural gas)	4006019
	Pilot assembly (propane)	4006020
21	Thermocouple	4004801
22	Pilot injector #51 (natural gas)	4000735
	Pilot injector #30 (propane)	4000736
23	Pilot hood 2-flame	4000730
24	Pilot mounting bracket	4007142
25	Pilot shield	4008555AH
26	Flex pipe assembly with valve	4002475
27	Burner with bracket	4007354
28	Burner mount (2)	4007140
29	Anti-flashback shield	4007629
30	Air shutter (natural gas)	4007136
	Air shutter (propane)	4008699
31	Spring tension washer	4007460
32	Steel flat washer	4007461
33	Injector elbow 82-850 (natural gas)	9730010
	Injector elbow 92-300 (propane)	9730035
34	Gas supply tube assembly	4007848
35	Thermocurrent interruptor	4001037
36	GV60 Valve assembly (natural gas)	4007896X
	GV60 Valve assembly (propane)	4003111X

	Description	Part Number
37	Top module plate gasket	4002403
38	Side module plate gasket (2)	4002404
39	Bottom module plate gasket	4002405
40	Receiver (MAX version)	4002422
41	Thermocouple pilot sealing plate	4002700
42	Pipe sealing plate	4004338
43	Wiring harness	4001187
44	Ignition cable	4004800
45	Ignition cable sleeve	4002244
46	Interruptor cable, red	4001035
47	Interruptor cable, yellow	4002096
48	Ceramic liner kits (complete kit)	
a	Ledgestone V3	786LSLV3
b	Red Brick	789VRLV2
c	Fluted Black	788FBLV2
49	Top panel	
a	Ledgestone V3	4007997
b	Red Brick	4002385
c	Fluted Black	4002374
50	Left hand panel	
a	Ledgestone V3	4007998
b	Red Brick	4002382
c	Fluted Black	4002377
51	Right hand panel	
a	Ledgestone V3	4007999
b	Red Brick	4002383
c	Fluted Black	4002378
52	Rear panel	
a	Ledgestone V3	4008000
b	Red Brick	4004266
c	Fluted Black	4004268
53	Reflective glass liner kit	787RGL
54	Top liner panel	4002374
55	Rear glass panel	4004707
56	Rear filler panel	4004799
57	Side filler panel (2 - one for each side)	4002776
58	Left hand glass panel	4004708
59	Right hand glass panel	4004709
60	Glass retainer	4004883AH
61	Side anchor	4004710AH
62	Side spacer (5)	4004711AH

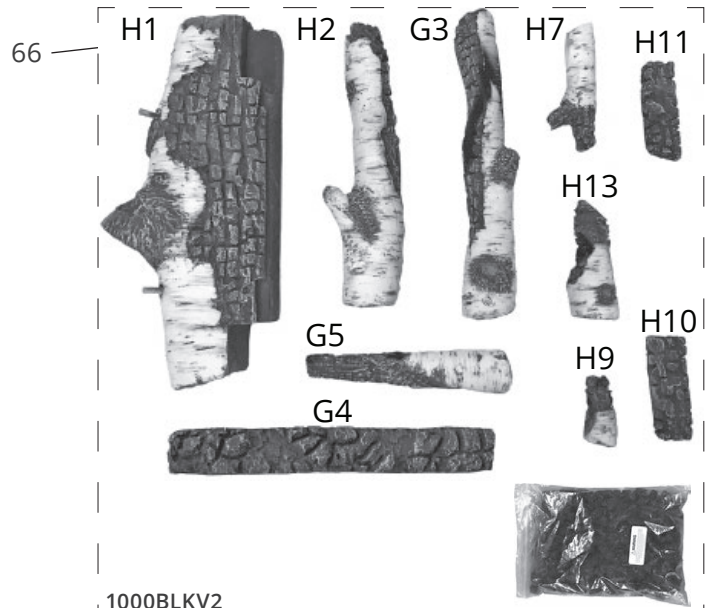
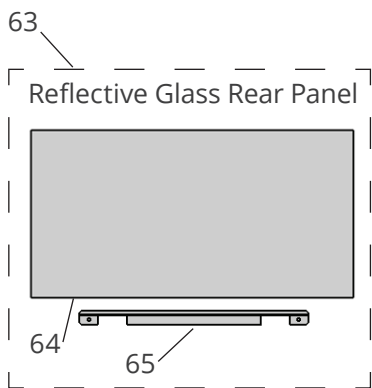
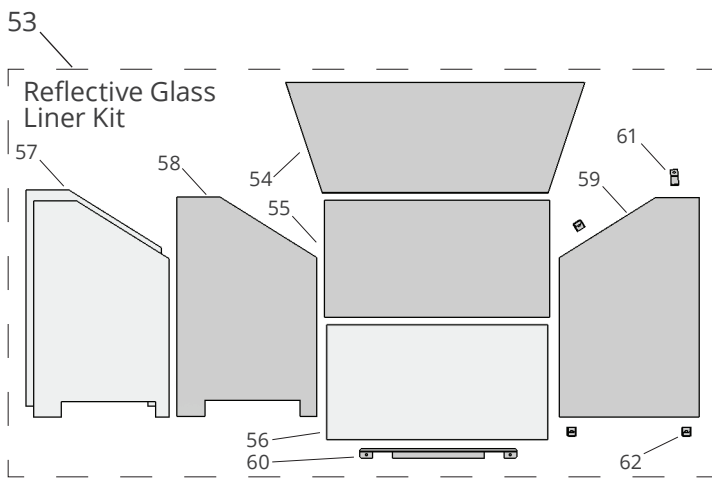
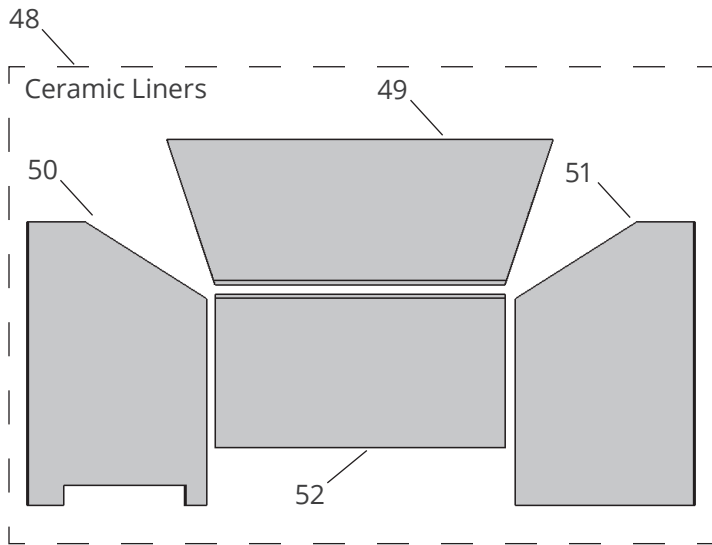
# Appendix C—Spare Parts

	Description	Part Number
63	Reflective glass panel (rear) kit	785RGP
64	Rear glass panel	4004707
65	Glass retainer	4004883AH
66	Birch log kit	1000BLKV2
	Log no. H1	4007463
	Log no. H2	4007464
	Log no. G3	4008161
	Log no. G4	4008162
	Log no. G5	4008163
	Log no. H13	4008903
	Log no. H7	4007469
	Log no. H9	4007471
	Log no. H10	4007472
	Log no. H11	4007473
	Embers—2 cup bag	4008304
67	Traditional log kit	1000LSKV2
	Log no. H32	4008905
	Log no. H33	4008906
	Log no. H34	4008617
	Log no. G4	4008162
	Log no. G10	4008168
	Log no. H28	4007505
	Log no. G16	4008306
	Log no. H31	4007508
	Log no. H10	4007472
	Log no. H11	4007473
	Embers—2 cup bag	4008304
68	Driftwood log kit	1000DWKV2
	Log no. H15	4007494
	Log no. H36	4008618
	Log no. H17	4007496
	Log no. G4	4008162
	Log no. H22	4008904
	Log no. G15	4008305
	Log no. H20	4007499
	Log no. H21	4007500
	Pebbles (3)	4008173
	Embers— 2 cup bag	4008304
69	2.5-4.5" hose clamp (2)	4000768

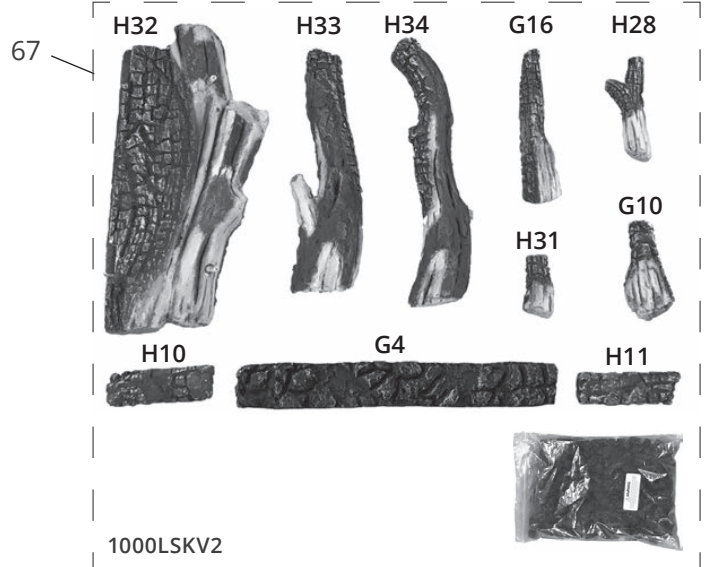
# Appendix C-Spare Parts



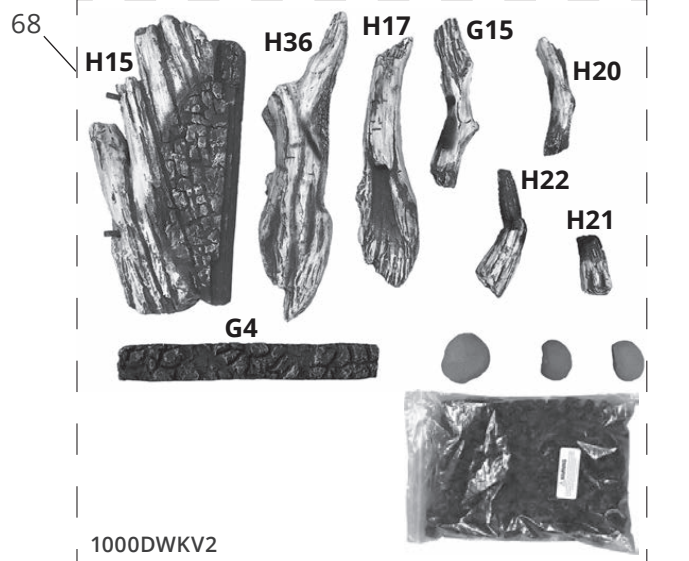
# Appendix C-Spare Parts



1000BLKV2



1000LSKV2



1000DWKV2