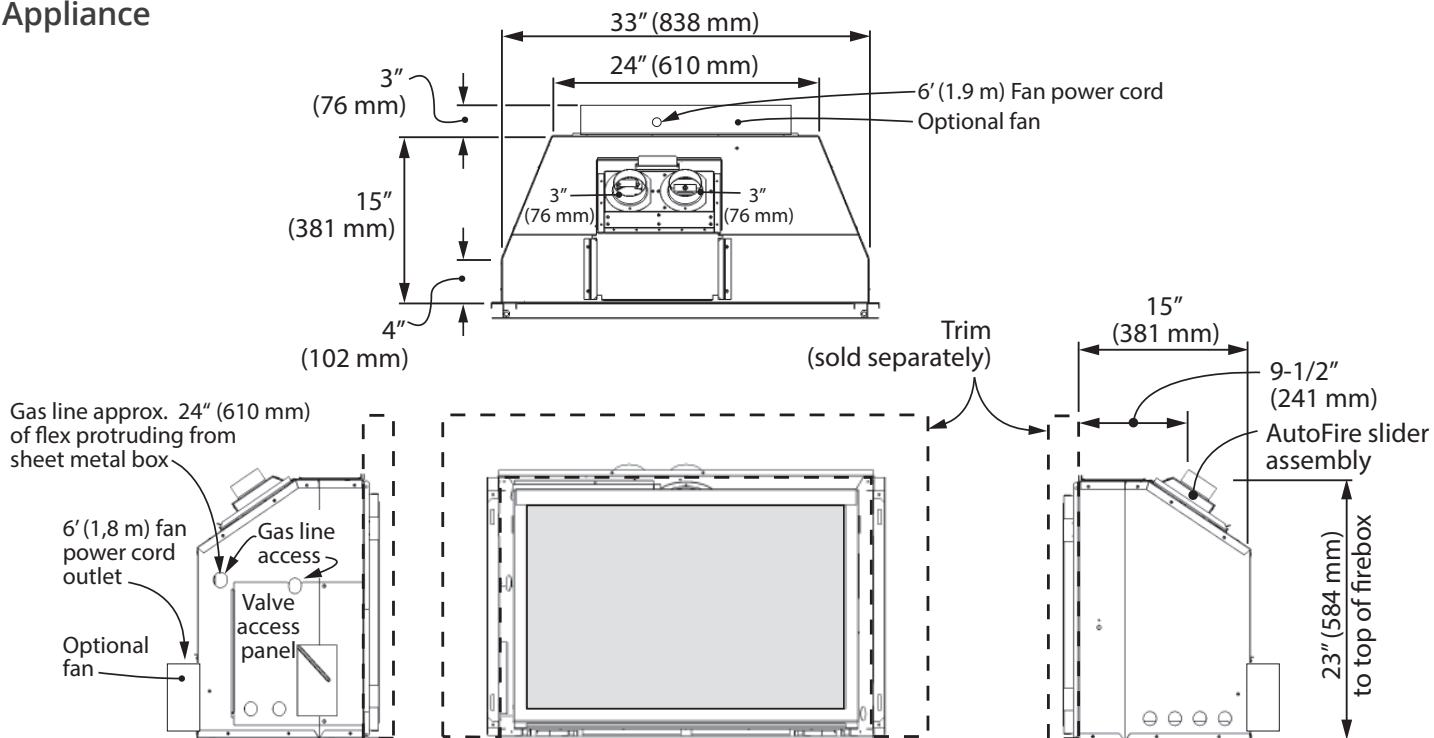


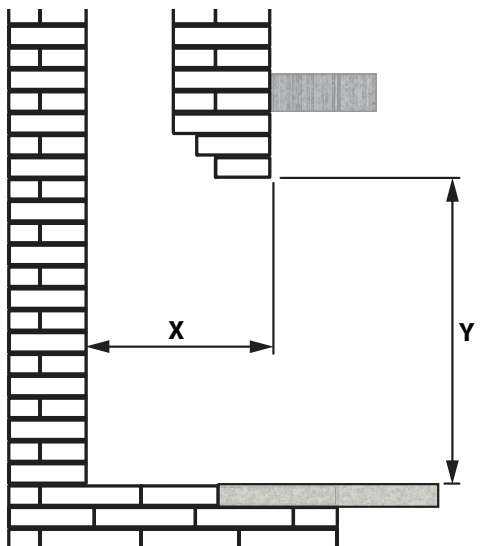
## Dimensions & Clearances

### Appliance



### Cavity

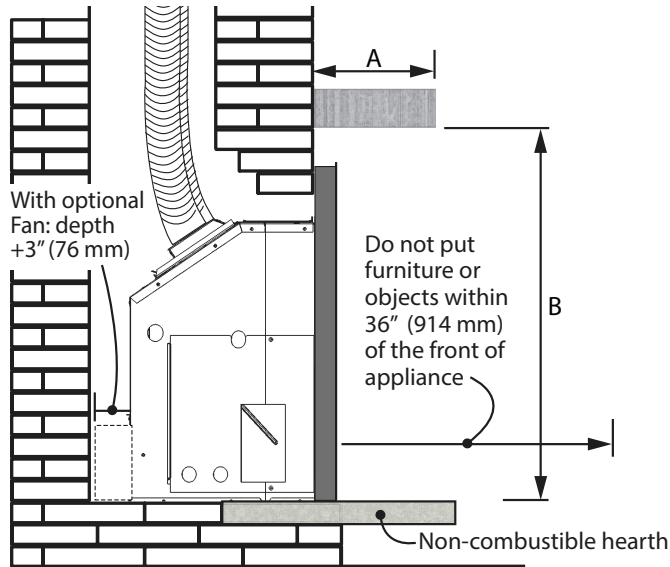
Check that masonry step does not interfere with install dimensions or vent pipe. If mantel is combustible, see following table for allowable clearances. A hearth that is at a height within 4" (102 mm) of the bottom of the heater **MUST** be non-combustible.



Minimum Cavity Dimensions					
	All trims except 799 Edgemont Door			With 799 Edgemont Door Kit	
	Standard Install	w/796 Leveling Platform	w/795 Fan Kit	No Fan	w/795 Fan
Width (min. fireplace opening at front)	33-1/4" [855 mm]	33-1/4" [855 mm]	33-1/4" [855 mm]	35-3/4" [908 mm]	
Depth X	15-1/2" [855 mm]	16" [406 mm]	18-1/2" [470 mm]	16-3/4" [426 mm]	19-3/4" [502 mm]
Height Y *	23-1/4" [591 mm]	23-1/4" [591 mm]	23-1/4" [591 mm]	23-3/4" [603 mm]	

\* Please note that the 799BPB-4S 4-Sided backing plate extends below the bottom of appliance by 2-13/16" (72 mm). Plan accordingly!

## Dimensions & Clearances



### Combustible Mantel Clearances inches [mm]

Mantel Projection A	1 [25]	4 [101]	8 [203]	14 [355]
Mantel Projection B*	34 [864]	36 [914]	38 [965]	40 [1016]

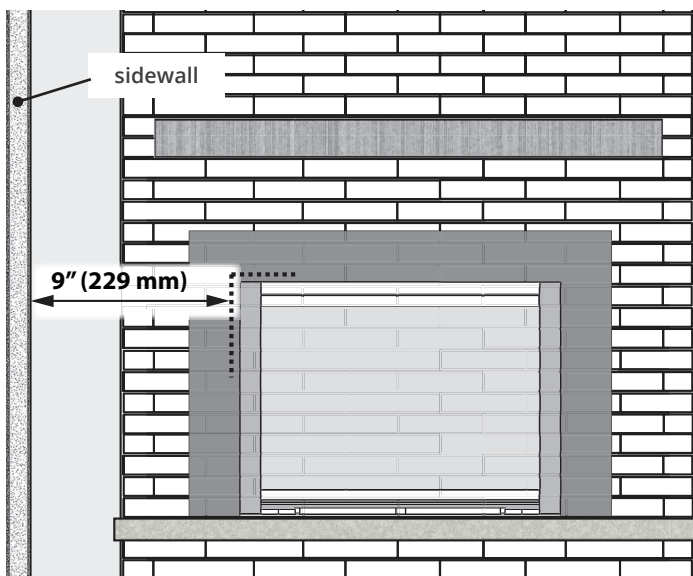
\* Measure taken from the underside of the mantel to finished hearth or surface that the unit is sitting on.

### Finishing Materials

**Combustible Materials:** Materials made of or surfaced with wood, compressed paper, plant fibers, plastics, or other material that can ignite and burn, whether flame proofed or not, or plastered or unplastered.

**Non-Combustible Materials:** Material which will not ignite and burn. Such materials are those consisting entirely of steel, iron, brick, tile, concrete, slate, glass or plasters, or any combination thereof.

Materials that are reported as passing ASTM E 136, Standard Test Method for Behavior of Materials in a Vertical Tube Furnace at 750 °C.



### Sidewall Clearances

Minimum distance from side of appliance (liner box) to combustible wall: 9" [229 mm] (see above).

Mantel legs projecting forward less than 6" [152 mm] may be located within 5" [127 mm] of the side of the appliance (liner box).

### Floor/ Hearth Clearances

Combustible shims/supports may be used beneath the appliance to level or raise the appliance within the existing fireplace cavity.

Combustible flooring/hearths in front of the appliance must be at a minimum of 4" [102 mm] below the bottom of the appliance. The gas insert does not require a hearth.