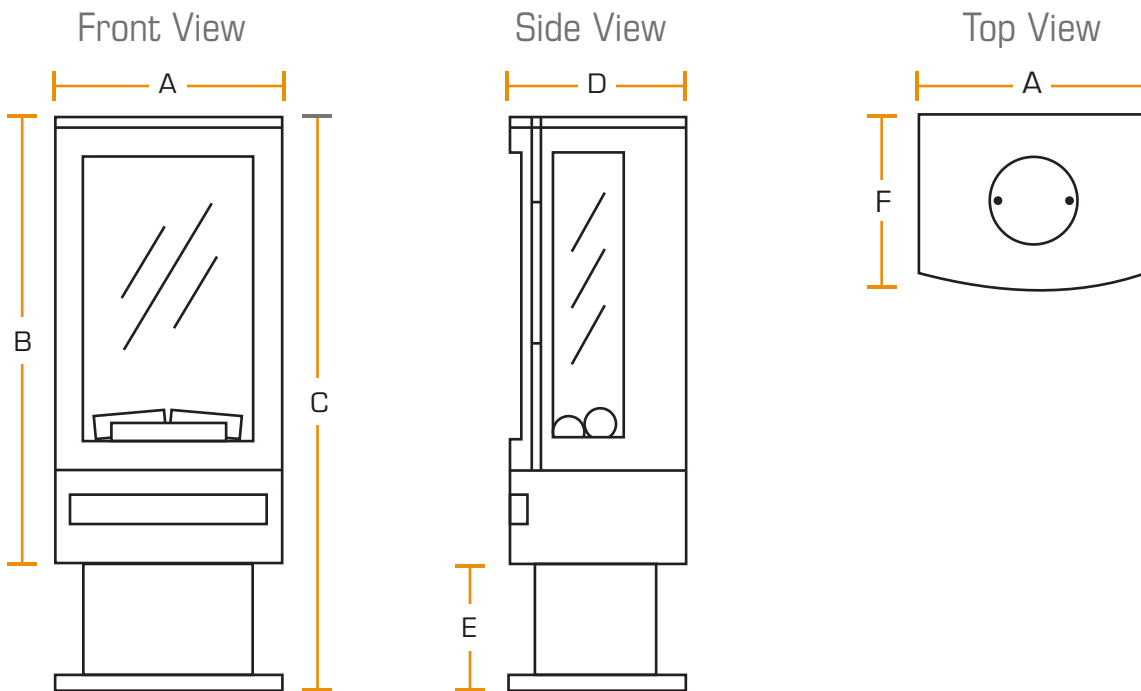


// BRAMSHAW ELECTRIC STOVE

Information Sheet



Dimensions

A	15-3/4"
B	31"
C	39-7/8"
D	12-1/5"
E	8-7/8"
F	12-1/5"

Tech Specs

Heat output:	1500 W
Supply voltage:	120 V AC
Rating power:	60 Hz
Weight:	66 lbs.
Lighting:	LED