

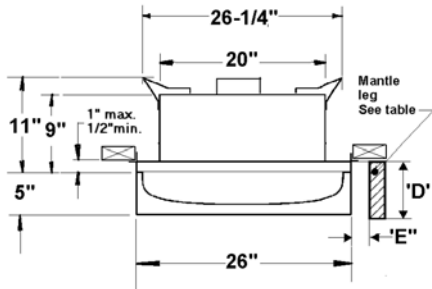


Model 530

Zero Clearance

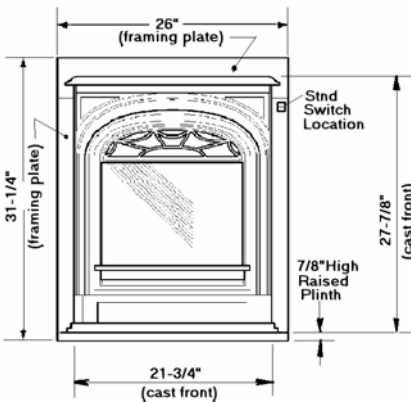
Rear Outlet DV (without vertical rise)

May 2000

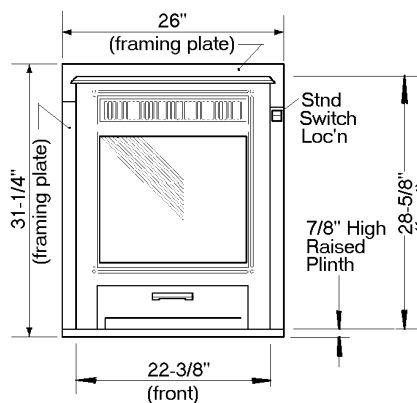


Top View

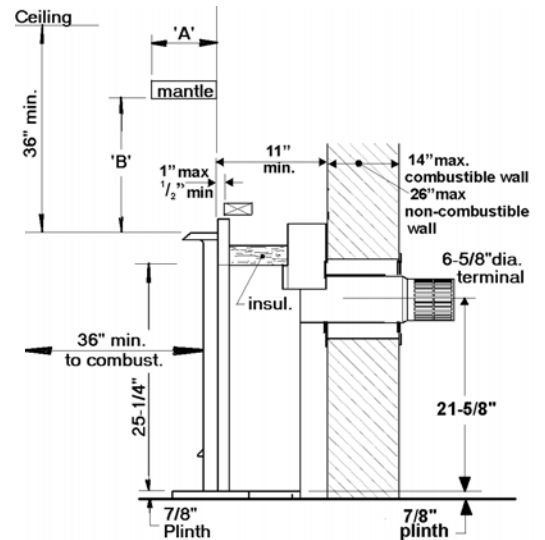
'A' mantle depth	'B' min. clearance		'D' mantle projection	'E' min. clearance
	President	Impression		
0-5"	4"	4"	0-8"	0"
5-7"	4"	5"	8 + "	6"
7-8"	5"	7"		
8-9"	7"	8"		
9-10"	8"	10"		
10-12"	9"	10"		
12+ "	Add extra 1" for every 1" increase in depth			



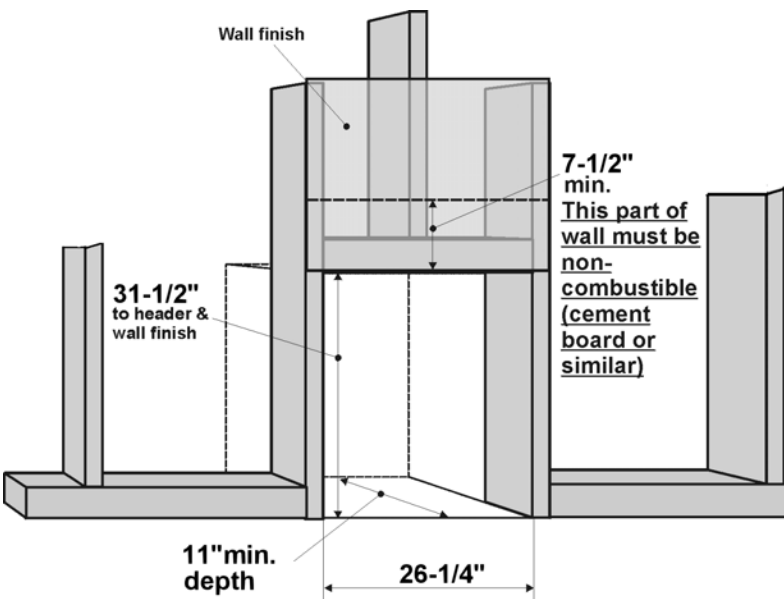
President Front



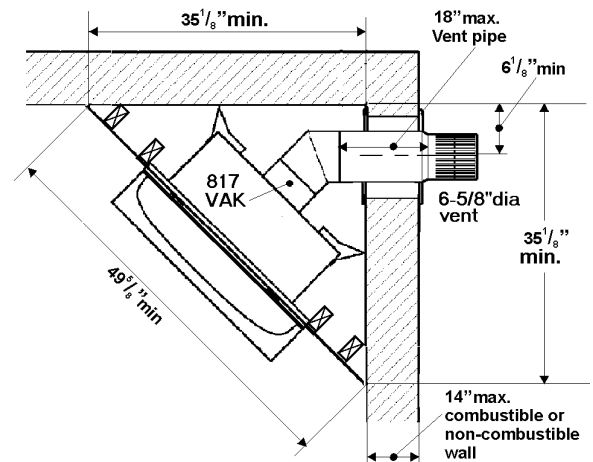
Impression Front



Side View



Framing Dimensions



Corner Dimensions

Max. Vent Configuration
1-45 deg. Elbow (no vertical rise)