

# RetroFire<sup>TM</sup>

SMALL INSERT



renos 101:  
the perfect fit  
for the hard-to-fit.

**valor**<sup>®</sup>  
Radiant  
Gas Fireplaces

# What is the RetroFire™ ?

The RetroFire is a radiant heat gas fireplace insert with a unique size and shape that fits into more existing fireplaces than any other. RetroFire is the fireplace that fits.

## Is the RetroFire right for you?

RetroFire is essentially a high efficiency gas log set, built for your safety and performance. You'll notice the difference in radiant warmth, efficiency and air quality, and you'll feel more comfortable.



### Enjoy your fireplace again.

Refresh your old wood-burning masonry or factory-built fireplace without entering into a costly renovation.



### Out with the old — not quite!

The RetroFire means you can preserve architectural details that you prefer to keep, such as masonry or stone.



### Fits where others can't.

Small, yet powerful, **RetroFire** fits into small or uniquely shaped openings—like arches and boathouse design—with its modest size and accommodating shape.



### Traditional Logs

### Get fired up!

**RetroFire** firebed has been tried and tested across the Valor line so you can enjoy a sure-fire flame and the comfort of radiant heat every time you turn the fire on.



### Driftwood

### Nothing to vent about.

No other fireplace insert has the flexibility of RetroFire. With coaxial and colinear vent options, RetroFire makes it easier than ever to fit into small chimneys.

Your authorized Valor dealer will be able to offer you exactly what you need to make your RetroFire come to life.

Find out more at [valorfireplaces.com/retrofire](http://valorfireplaces.com/retrofire) or speak to your dealer.

Proudly made in North America.

# 1 Choose your logs:

Driftwood **New**




MF28DWK

Traditional Log **Improved**



MF28LSK

Choose this standard look for a clean finish. 

# 2 Customize with optional frets:

Ventana Black fret



1225VFB

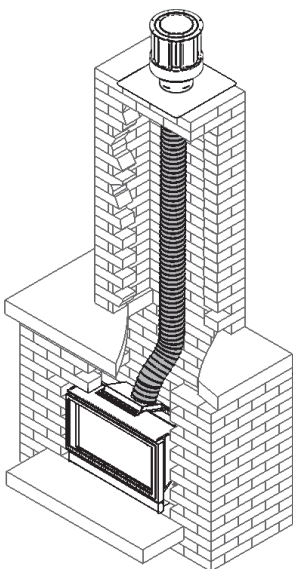
Traditional Black fret



RA24TB

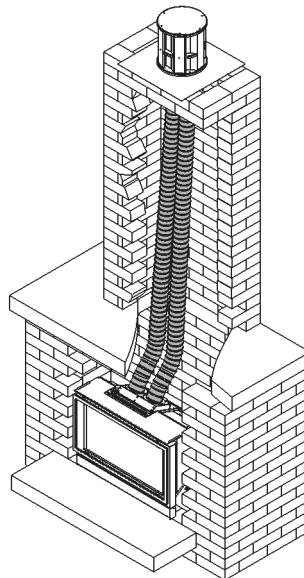
# 3 Your dealer can help you select venting:

Co-axial  
5" Co-axial Flex vent



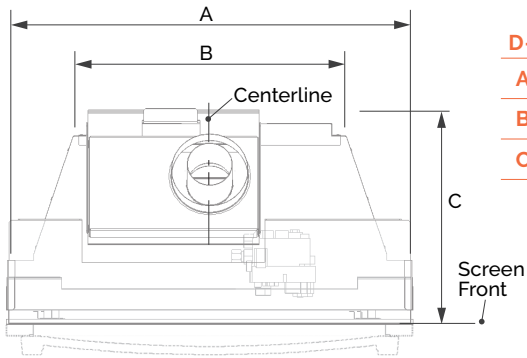
Natural Gas RF24JDN-CA  
Propane RF24JDP-CA

Colinear  
AutoFire 2x3" Flex vent



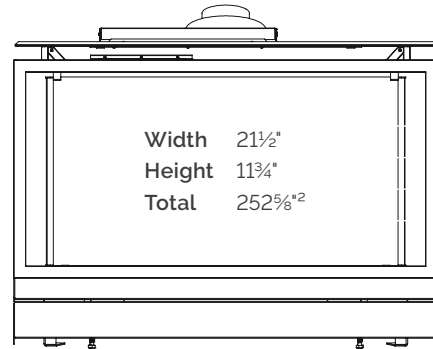
Natural Gas RF24JDN-CL  
Propane RF24JDP-CL

# Dimensions



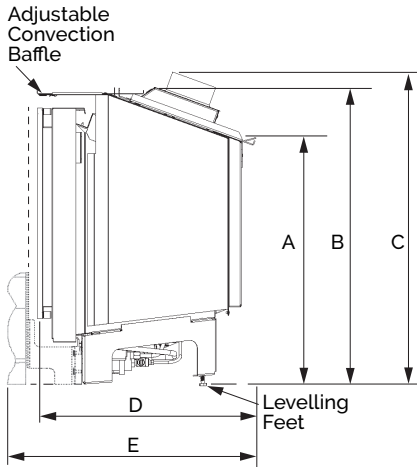
D-Vent	
A	26½"
B	17¾"
C	14"

## Window Size



Width	21½"
Height	11¾"
Total	252½"*2

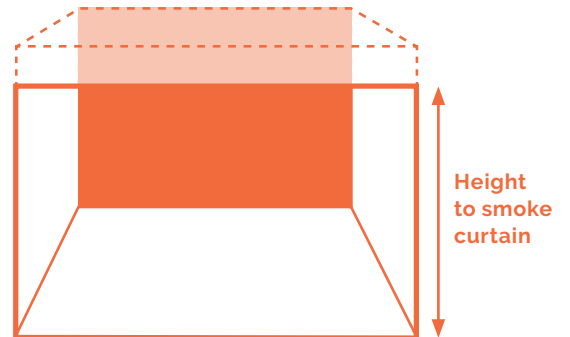
Co-axial Direct vent shown.



D-Vent	
A	15⅞"
B	19¾"
C	21¼"
D*	14"
E**	15¾"

\*to screen \*\*with fret

## Minimum Cavity Dimensions



D-Vent	
Width	27"
Height	20"
Height to smoke curtain	18"
Depth	14"
Depth w/fret	15¾"

# Efficiency Ratings

Type	Fuel	High Input	Low Output	Max Output*	EnerGuide % Rating*	Model
D-Vent coaxial	NG	20,000	6,500	14,322	70	RF24JDN-CA
	LP	18,000	12,500	13,248	67	RF24JDP-CA
D-Vent colinear	NG	20,000	6,500	14,294	64	RF24JDN-CL
	LP	18,000	12,500	12,118	58	RF24JDP-CL

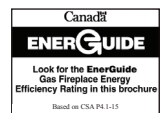
\*EnerGuide Ratings and Outputs have been determined without a fan/blower, using the CSA P4.1-15 test method

ALWAYS DEPEND UPON THE RETROFIRE MANUAL FOR THE MOST ACCURATE INSTALLATION INFORMATION.  
[VALORFIREPLACES.COM/RETROFIRE](http://VALORFIREPLACES.COM/RETROFIRE)



### WARNING

This product can expose you to chemicals including Benzene, which is known to the State of California to cause cancer and birth defects or other reproductive harm. For more information go to [www.P65Warnings.ca.gov](http://www.P65Warnings.ca.gov).



Designed and manufactured by Miles Industries Ltd. Copyright Miles Industries Ltd. 2023