



Retrofire



US Patent no. 8,166,965

Gravity Vent Fireplace Insert RF24XBN (natural gas) & RF24XBP (propane gas) Installation and Owner's Manual

DANGER



**HOT GLASS WILL
CAUSE BURNS.**

**DO NOT TOUCH GLASS
UNTIL COOLED.**

**NEVER ALLOW CHILDREN
TO TOUCH GLASS.**

A barrier designed to reduce the risk of burns from the hot viewing glass is provided with this appliance and shall be installed for the protection of children and other at-risk individuals.

INSTALLER
Leave this manual
with the appliance.

CONSUMER
Retain this manual
for future reference.

Please read this manual
BEFORE installing and
operating this appliance.

WARNING

FIRE OR EXPLOSION HAZARD

Failure to follow safety warnings exactly could result in serious injury, death, or property damage.

- Do not store or use gasoline or other flammable vapors and liquids in the vicinity of this or any other appliance.
- **WHAT TO DO IF YOU SMELL GAS**
 - Do not try to light any appliance.
 - Do not touch any electrical switch; do not use any phone in your building.
 - Leave the building immediately.
 - Immediately call your gas supplier from a neighbor's phone. Follow the gas supplier's instructions.
 - If you cannot reach your gas supplier, call the fire department.
- Installation and service must be performed by a qualified installer, service agency or the gas supplier.

This appliance may be installed in an after-market permanently located, manufactured (mobile) home where not prohibited by local codes.

This appliance is only for use with the type of gas indicated on the rating plate. This appliance is not convertible for use with other gases, unless a certified kit is used.

This appliance is a domestic room-heating appliance. It must not be used for any other purposes such as drying clothes, etc.

This appliance is suitable for installation in a bedroom or bed sitting room.

Massachusetts: The piping and final gas connection must be performed by a licensed plumber or gas fitter in the State of Massachusetts.

Ce guide est disponible en français sur demande.

Table of Contents

FOR THE OWNER

Safety Precautions	3
Safety and Your Fireplace.....	4
Owner's Information.....	5
Operating Your Fireplace for the First Time.....	5
Cleaning Your Fireplace	6
Checking Pilot and Burner Flames	7
Replacing Batteries	7
Locating Lighting, Operation and Rating Information Card.....	8
Servicing Your Fireplace.....	8
How to Turn Your Fireplace OFF (including pilot).....	8
How to Ensure Your Fireplace Cannot Be Turned ON Inadvertently	8
Vent Safety Switch.....	8
Remote Control Operation.....	9
Options	11
Lighting Instructions.....	12
Warranty	27

FOR THE QUALIFIED INSTALLER

Specifications	13
Dimensions	14
Vent Configurations	15
Existing Fireplace Preparation.....	16
Installation.....	17
Connect Gas Supply.....	17
Rough-in Vent Liner.....	18
Prepare Appliance	18
Connect Vent LIner to Appliance	19
Re-install Support Legs (if removed).....	19
Level Appliance in Hearth.....	20
Re-install Burner Module	20
Connect Gas Line and Test Appliance.....	20
Re-install Top Baffle (if removed).....	20
Install Top Convection Baffle	21
Install Ceramic Log Set	22
Refit Window	23
Install Remote Control	23
Check Operation.....	24
Adjust Aeration (if necessary).....	24
Check Vent Safety Switch	24
Install Barrier Screen.....	25
Install Bottom Cover or Cast Iron Fret.....	25
Warranty	27
Spare Parts.....	28

Warranty Card at the back of this manual.



We recommend that our gas hearth products be installed and serviced by professionals who are certified in the U.S. by the National Fireplace Institute® (NFI) as NFI Gas Specialists.

The information contained in this installation manual is believed to be correct at the time of printing. Miles Industries Ltd. reserves the right to change or modify any information or specifications without notice. Miles Industries Ltd. grants no warranty, implied or stated, for the installation or maintenance of your heater, and assumes no responsibility for any consequential damage(s).

Designed and Manufactured by / for
Miles Industries Ltd.

190-2255 Dollarton Highway, North Vancouver, BC, CANADA V7H 3B1

Tel. 604-984-3496 Fax 604-984-0246

www.valorfireplaces.com

© Copyright Miles Industries Ltd., 2017



Safety Precautions

READ and **UNDERSTAND** all instructions carefully before starting the installation. **FAILURE TO FOLLOW** these installation instructions may result in possible fire hazard and will void the warranty.

Prior to the first firing of the fireplace, **READ** the Owner's Information section of this manual.

DO NOT USE this appliance if any part has been under water. Immediately, **CALL** a qualified service technician to inspect the unit and to replace any part of the control system and any gas control that has been under water.

THIS UNIT IS NOT FOR USE WITH SOLID FUEL.

Installation and repair should be **PERFORMED** by a qualified service person. The appliance and venting system should be **INSPECTED** before initial use and at least annually by a professional service person. More frequent cleaning may be required due to excessive lint from carpeting, bedding, etc. It is **IMPERATIVE** that the unit's control compartment, burner, and circulating air passageways **BE KEPT CLEAN** to provide for adequate combustion and ventilation air.

Always **KEEP** the appliance clear and free from combustible materials, gasoline, and other flammable vapors and liquids.

NEVER OBSTRUCT the flow of combustion and ventilation air. Keep the front of the appliance **CLEAR** of all obstacles and materials for servicing and proper operation.

This unit **MUST** be used with a vent system as described in this installation manual. **NO OTHER** vent system or components **MAY BE USED**.

This gas fireplace and vent assembly **MUST** be vented directly to the outside and **MUST NEVER** be attached to a chimney serving a separate solid fuel burning appliance. Each gas appliance **MUST USE** a separate vent system. Common vent systems are **PROHIBITED**.

INSPECT the external vent cap on a regular basis to make sure that no debris, plants, trees, shrubs are interfering with the air flow.

TURN OFF the gas before servicing this appliance. It is recommended that a qualified service technician perform an appliance check-up at the beginning of each heating season.

DO NOT use this heater as a temporary source of heat during construction.

State of California. Proposition 65 Warning. Fuels used in gas, wood-burning or oil fired appliances, and the products of combustion of such fuels, contain chemicals known to the State of California to cause cancer, birth defects and other reproductive harm. California Health & Safety Code Sec. 25249.6.

Due to the high temperature, the appliance should be **LOCATED** out of traffic areas and away from furniture and draperies.

Clothing or flammable material **SHOULD NOT BE PLACED** on or near the appliance.

This appliance is a **DOMESTIC ROOM-HEATING APPLIANCE**. It must not be used for any other purposes such as drying clothes, etc.

DO NOT place furniture or any other combustible household objects within 36" of the fireplace front.

BE CAREFUL not to put any decorating objects sensitive to heat to close above or around the fireplace as it gets very hot when operating.

The glass door assembly **MUST** be in place and sealed before the unit can be placed into safe operation.

DO NOT OPERATE this appliance with the glass door removed, cracked, or broken. Replacement of the glass door should be performed by a licensed or qualified service person. **DO NOT** strike or slam the glass door.

The glass door assembly **SHALL ONLY** be replaced as a complete unit, as supplied by the fireplace manufacturer. **NO SUBSTITUTE** material may be used.

DO NOT USE abrasive cleaners on the glass door assembly. **DO NOT ATTEMPT** to clean the glass door when it is hot.

A BARRIER DESIGNED TO REDUCE THE RISK OF BURNS from the hot viewing glass is provided with this appliance and **SHALL BE INSTALLED** for the **PROTECTION OF CHILDREN** and other **AT-RISK INDIVIDUALS**.

If the barrier becomes damaged, the barrier **SHALL BE REPLACED** with the **MANUFACTURER'S BARRIER** for this appliance.

Any safety screen, guard or barrier removed for servicing the appliance, **MUST BE REPLACED** prior to operating the appliance.

Children and adults should be **ALERTED** to the hazards of high surface temperature and should **STAY AWAY** to avoid burns or clothing ignition.

YOUNG CHILDREN should be **CAREFULLY SUPERVISED** when they are in the same room as the appliance. Toddlers, young children and others may be susceptible to **ACCIDENTAL CONTACT BURNS**. A physical barrier is recommended if there are at-risk individuals in the house. To restrict access to a fireplace or stove, **INSTALL AN ADJUSTABLE SAFETY GATE** to keep toddlers, young children and other at-risk individuals out of the room and away from hot surfaces.

Safety and Your Fireplace

Please Read and Carefully Follow all Safety Warnings and Operating Instructions Contained in Your Owner's Manual

(Replacement Manuals are available by contacting our service department at 1-800-468-2567 or visit www.valorfireplaces.com).

Please Follow These Important Child Safety Precautions and Recommendations,

- Parts of your Valor Fireplace become **extremely hot** while in operation.
- The glass viewing **window temperature can exceed 500 F** at full capacity. Momentary contact with a hot glass surface can **cause a severe burn**, even if the fireplace is operating at reduced heating capacity.
- **The glass window will remain hot** for an extended period of time after the fireplace has been turned off. Ensure that children are prevented from touching the fireplace during the cool down period.
- **Toddlers and Young Children must be closely supervised at all times** when they are in the same room as the operating fireplace. They lack full awareness of danger and rely on your protection. Toddlers, in particular, do not have the motor



skills and response reflexes to withdraw in the event of accidental contact with a hot surface.

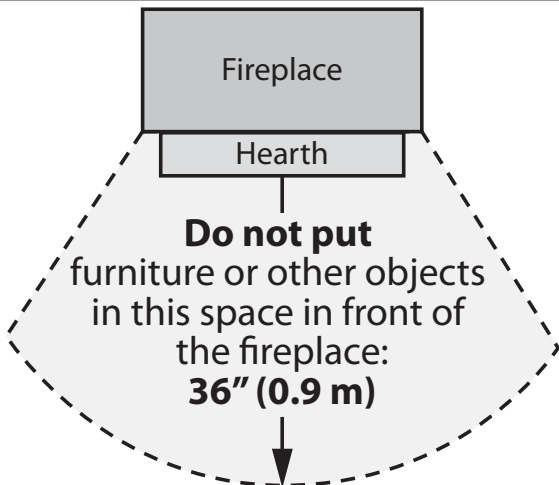
- **A physical barrier is strongly recommended** if there are young children, or at-risk individuals in the house. Install an approved after-market safety gate to keep toddlers, young children and other at-risk individuals a safe distance from the fireplace.
- **Keep the remote control handset out of reach of children at all times.** A wall mount storage holster is provided with your remote control handset.
- **Ensure that the fireplace, including the pilot light, is completely turned off** when children are present and close supervision and safety barriers are not available—see page 8 of *Owner's Information* section.
- If the fireplace is not going to be used for the summer or any extended period of time, **remove the batteries from the remote control handset and receiver.** It is recommended that batteries are replaced annually in any event—see page 7.

⚠ WARNING

EXTREMELY HOT!!!

- **READ the SAFETY information on pages 3 and 4 of this manual BEFORE operating your gas heater.**
- Some parts of your fireplace are **EXTREMELY HOT**, particularly the **GLASS** window.
- **DO NOT LET CHILDREN** touch the glass or any parts of your fireplace **even after it is turned off** as it is still hot.
- **USE THE BARRIER SCREEN** provided with the appliance, front or trim or a **GATE** to reduce the risk of burns.
- Keep the remote control handset **OUT OF REACH** of children.
- **HOT HEARTH/FLOOR SURFACE!** The hearth or floor directly in front of the fireplace is **VERY HOT** when the fireplace heats. Even if constructed of non-combustible materials, and although safe, it may reach temperatures **in excess of 200° F** depending on choice of materials. **DO NOT STEP ON IT!**
- Some materials or items, although safe, may discolor, shrink, warp, crack, peel, and so on because of the heat produced by the fireplace. **AVOID PLACING** candles, paintings, photos, and other items **SENSITIVE TO HEAT** within 36 inches (0.9 m) around the fireplace.
- Solid wood flooring in front of the fireplace (if allowed) may shrink during the heating season due to heat.

Performance of propane gas appliances may be affected by the quality of commercial gas supplied in your area.



Thank You ...

For purchasing a Valor by Miles Industries. Your new radiant gas heater is a technical appliance that must be installed by a qualified dealer. Each Valor fireplace is fully tested during the production process for your safety and comfort. Your unit has been professionally installed by:

Dealer Name: _____

Phone Number : _____

Should you encounter an operational problem, call your dealer immediately.

Do not try to repair the unit as you may cause an injury or damage the fireplace.

This manual and particularly the preceding and following pages contain very important information regarding the safe operation of your fireplace as well as maintenance instructions.

Read carefully BEFORE operating your fireplace and pay special attention to the SAFETY WARNINGS.

A heating gas appliance does require safe handling and for this reason, we very strongly recommend that no children be allowed to touch the fireplace and its controls at all times. **Do install a screen or barrier in front of the fireplace to protect your children against severe burns.**

This appliance is designed and approved as a supplemental heater and provides the potential for most energy conservation when used while attended. The use of an alternate primary heat source is advisable.

Operating Your Fireplace for the First Time

When operating your new fireplace for the first time, some vapors may be released due to the burning of curing compounds used in the manufacture of the appliance. They may cause a slight odor and could cause the flames to be the full height of the firebox, or even slightly higher, for the first few hours of operation.

It is also possible that these vapors could set off any smoke detection alarms in the immediate vicinity. These vapors are quite normal on new appliances. We recommend opening a window to vent the room. After a few hours use, the vapors will have disappeared and the flames will be at their normal height.

Flame Supervision Device

For your safety, this appliance is fitted with a flame supervision device which will shut-off the gas supply if, for any reason, the pilot flame goes out. This device incorporates a fixed probe, which senses the heat from the pilot flame. If the probe is cool, the device will prevent any gas flow unless manually lighting the pilot. See full lighting instructions on page 12 of this manual.

Cleaning Your Fireplace

! WARNING

DO NOT TOUCH THE GLASS WHILE IT IS HOT!
Let the fireplace cool first before cleaning it.

Important - Glass cleaning - Mineral deposits

One of the by-products of the combustion process in a gas appliance is a mineral which can show up as a white film on the ceramic glass of the viewing door. The composition of the deposit varies widely from various locations and also from time to time in the same location. It seems this is associated with the varying sulfur content of the gas. You may have the problem for a time and then not see it for many months when it will reappear in your area.

We have discussed this problem with ceramic glass manufacturers and they cannot give us a definitive answer to this problem. Dealers have tried various cleaning products with varying results. The following recommendations will not guarantee results in your particular case.

NOTE: This is a problem beyond Miles Industries' control and is not covered under warranty.

- Clean the glass regularly as soon as you notice the buildup (white film). If the film is left for a longer period of time, it will bake on. It is then much harder, if not impossible, to remove.
- NEVER use an abrasive cleaner or ammonia-based cleaner on the ceramic glass. Any abrasion of the surface has the immediate effect of compromising the strength of the glass. An emulsion type cleaner is recommended.
- Use a soft damp cloth to apply the cleaner. Dry the glass with a soft, dry, preferably cotton cloth. Most paper towels and synthetic materials are abrasive to ceramic glass and should be avoided.
- Our dealers have had good results from the products listed below. We cannot, however, guarantee the results of these products.
 - BRASSO, POLISH PLUS by KELKEM, COOK TOP CLEAN CREME by ELCO, WHITE OFF by RUTLAND, TURTLE WAX

Do not clean the glass while it is hot!

Always securely replace the window and the barrier screen before lighting.

If broken, the glass pane may only be replaced as a complete window unit as supplied by the manufacturer.

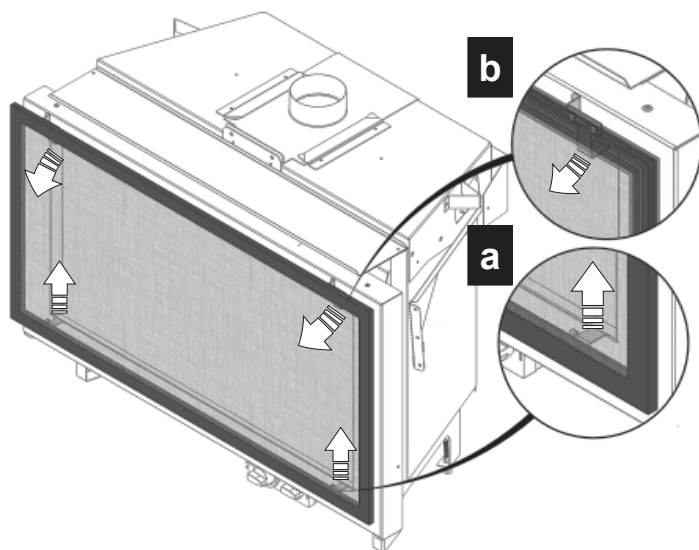
If the barrier becomes damaged, the barrier shall be replaced with the manufacturer's barrier for this appliance.

It is necessary to unhook the cast iron fret and brackets or the bottom cover, as well as the barrier screen before removing the window for cleaning.

! WARNING

DO NOT TOUCH THE BARRIER SCREEN OR FIREPLACE WHILE THEY ARE HOT! Let the fireplace cool first before cleaning it.

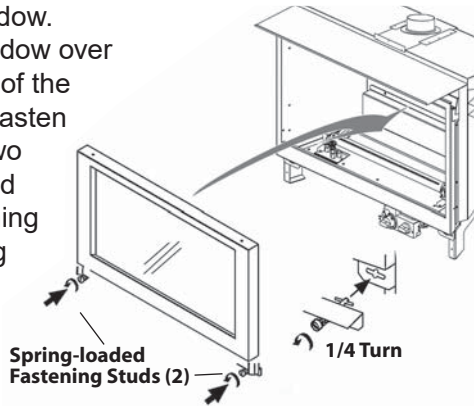
1. Remove the barrier screen.
 - a. Unhook the bottom of the screen by pushing the screen up and pulling it outward.
 - b. Unhook the top of the screen from the window frame by pulling it downward.



2. Clean the barrier screen with a soft brush.
3. Remove the window for cleaning.
 - a. Rotate the two fastening studs at the bottom corners 90 degrees to release them.
 - b. Swing the bottom of the window outwards to unhook the top edge.
4. Clean the window glass following the guidelines indicated in this section.
5. Dust the ceramic fuel effects and firebox walls using a soft brush.
6. Dust the burner using a soft brush after removing the ceramic fuel effects. **When cleaning, make sure that no particles are brushed into the slots in the burner.**

Owner's Information

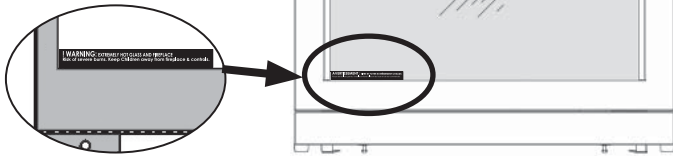
7. Reinstall the window.
 - a. Hook the window over the top edge of the firebox, and fasten the bottom two spring-loaded bolts by pushing in and turning them 90 degrees.



- b. If the Hot Glass Warning plate has been removed from the front lower corner of the window, reinstall it by sliding it between the glass and the frame as indicated.

! WARNING: EXTREMELY HOT GLASS AND FIREPLACE
Risk of severe burns. Keep Children away from fireplace & controls.
AVERTISSEMENT : VITRE ET Foyer EXTREMEMENT CHAUDS
Risque de brûlures graves. Tenir les enfants à l'écart du foyer et des commandes.

Hot Glass Plate

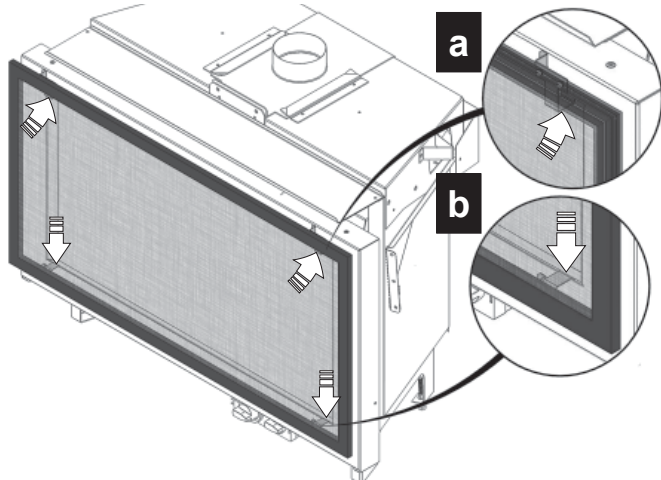


8. Reinstall the barrier screen.

! WARNING

FOR SAFETY PURPOSE, ensure the barrier screen is re-installed on the fireplace window after maintenance.

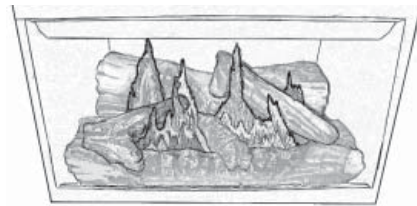
- a. Hook the top of the screen by inserting the tabs into the slots in the window frame.
- b. Push the screen up and insert the lower tabs into the slots of the window frame. Pull the screen down to ensure the lower tabs are well inserted.



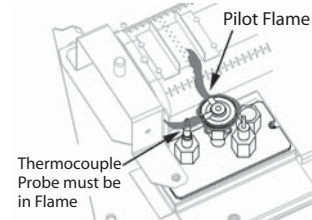
9. Reinstall the bottom cover sliding its top flange into slots located at the bottom corners of the window frame or hook the fret to its brackets.

Checking Pilot and Burner Flames

A periodic check of the pilot and burner flames should be made. Check after the fire has been on for at least 30 minutes. The pilot flame must cover the tip of the thermocouple probe. The main burner flame pattern will vary from appliance to appliance depending on the type of installation and climatic conditions—see images below.



Correct Flame Picture



The appliance area must always be kept clear and free from combustible materials, gasoline and other flammable vapors and liquids. Inspect the vent terminal outdoors regularly to make sure that, snow, leaves, bushes, trees, etc, do not obstruct it. Examine the vent system and terminal regularly. We recommend annually.

Replacing Batteries

! WARNING

DO NOT ATTEMPT TO CHANGE THE BATTERIES WHILE THE FIREPLACE IS STILL HOT! Let the fireplace cool first before touching it.

CAUTION

DO NOT USE a screwdriver or other metallic object to remove the batteries from the receiver or the handset! This could cause a short circuit to the receiver.

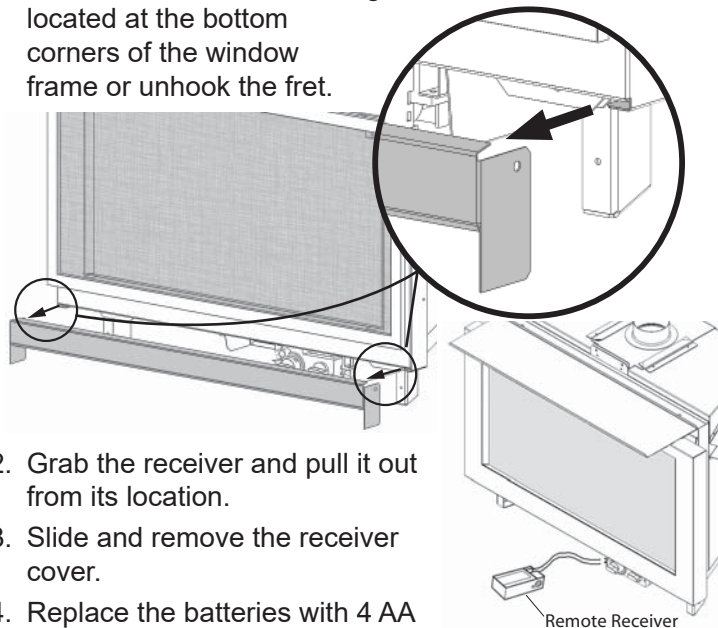
Low batteries signal: see page 10.

The remote control receiver of the appliance uses four alkaline 1.5 V AA batteries and the handset uses one 9 V alkaline battery.

Batteries should last one to two seasons, depending on usage. Removing the batteries in the off-season will extend the battery life. Should the batteries loose power, the control may be operated by manually turning the control knob at the valve.

To replace the batteries in the remote control receiver: The receiver is located under the firebox, behind the bottom cover or the fret; it sits at the left of the valve and it is retained to the firebox by a *Velcro* tab.

1. Slide the bottom cover straight out from the slots located at the bottom corners of the window frame or unhook the fret.



2. Grab the receiver and pull it out from its location.
3. Slide and remove the receiver cover.
4. Replace the batteries with 4 AA **alkaline** batteries.
5. Replace the cover.
6. Put the receiver back in its position pushing it in so it attaches to the *Velcro* tab.

Locating Lighting, Operation and Rating Information Card

⚠ WARNING

DO NOT ATTEMPT TO TOUCH THE DATA CARD WHILE THE FIREPLACE IS STILL HOT! Let the fireplace cool first before touching it.

The Lighting, Operation and Rating Information card is located at the left of the valve under the burner. To access the card, remove the cast fret or the bottom cover, grab the card and take it out to read it. There is important information on both sides of the card.

Servicing Your Fireplace

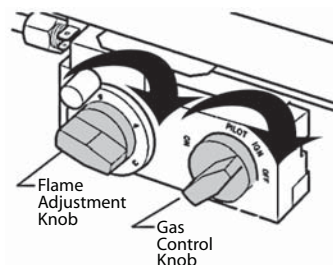
If any attention is required for your appliance, contact your supplier quoting the model number. It will be helpful if the appliance's serial number can also be quoted. This number is on the rating card, which is located under the burner.

The replacement parts are shown at the end of this manual. Please always quote the part number and description when requesting spare parts.

How to Turn Your Fireplace OFF (including pilot)
First, ensure your fireplace is cooled BEFORE going ahead.

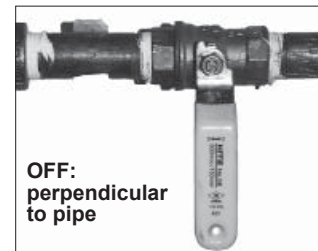
Locate the gas valve under the firebox.

1. Set the Flame Adjustment Knob clockwise ∪ as far as possible.
2. Push in the Gas Control Knob slightly and turn it clockwise ∪ to OFF. Do not force.



Turn gas valve buttons clockwise to turn fireplace OFF.

As well, familiarize yourself with the gas shut-off valve location in your house. As indicated below, the gas is running when the handle is parallel with the pipe. The gas is off when the handle is perpendicular with the pipe.



How to Ensure Your Fireplace Cannot Be Turned ON Inadvertently

The best way to ensure your fireplace will not turn on is to turn it off, including pilot—see above.

If you wish to maintain the pilot only without the main burner coming on, turn the Gas Control Knob to Pilot position.

Vent Safety Switch

This appliance is equipped with a vent safety switch which, when activated, will turn off the burner and pilot if the vent is blocked, disconnected, or if there is excessive down draught.

If the safety switch is activated, wait for it to cool off before trying to light the appliance again. The safety switch will cool off and reset itself automatically after 25 to 30 minutes.

In the event that the safety switch is activated again, contact a qualified service technician for inspection.

Should the safety switch require replacement, only use parts supplied by Miles Industries.

Remote Control Operation

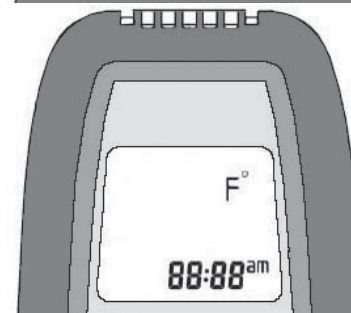
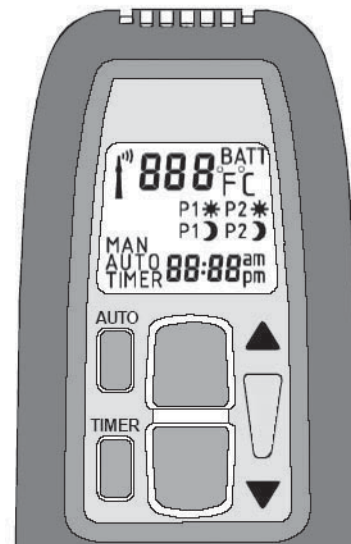
Your fireplace remote control helps you get the comfort, convenience and aesthetics you want from your gas fireplace. The remote controls your fireplace in different ways.

IMPORTANT: *BEFORE YOU BEGIN*, please note that on this system, the settings of time, temperature and automatic ON/OFF **can only be programmed when the function display is flashing**. Be patient when programming as it can take a few seconds to set.

Setting the time

The first thing to do is to set the time.

1. With your thumb, hold down **both** the **AUTO** and **TIMER** buttons until **F** flashes. Let go.
2. Note the digital clock on the bottom right hand corner. The **▲** button sets the hour; the **▼** button sets the minutes. Set the time.
Note: You must start setting the time while the **F** is flashing. If it stops flashing, go back to 1.
3. The display shows °C/24-hour or °F/12-hour. To change the temperature/hour display, press on the **AUTO** button while the display flashes.
4. Let go and wait until the flashing stops. The remote shows the time you set. It also shows the current temperature.

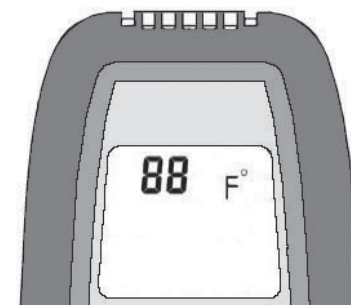


Setting the temperature

Use this setting when you come in and want to enjoy a specific temperature.

1. Push the **AUTO** button until a number and **F** flash. Let go.
2. While it is still flashing, push the **▲** and **▼** buttons to the temperature you want. Let go.

Your fireplace will reach that temperature and the remote will check the temperature every five minutes, adjusting the amount of fuel needed to give you a steady, even heat.

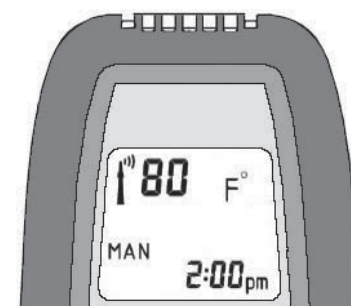


Setting the flame

Use this setting when you want a particular flame level. For instance, you want to watch flames burn at their highest level and you don't mind if the room is too hot.

1. To raise the flame, press and hold the **▲** button until the flame gets to the desired level. Let go.
2. To lower the flame, press and hold the **▼** button until the flame gets to the desired level. Let go.

The **flame level** will remain just as you set it.



Remote Control Operation

Programming time and temperature

You can set your fireplace to come on before you wake up and turn off after you leave and then, turn on again just before you come home and turn off after going to bed.

You can leave it like this for the heating season.

1. Decide what temperature you want your fireplace to be at. Also, decide what time you want your fireplace to turn on and off. Finally, decide what time you want it to come back on and off in the afternoon or evening. For the first few times you set the timer, it's handy to write these times down.
2. Set the temperature (just as you did in the section *Setting the temperature*.)
3. Press the **TIMER** button and hold it until **P1** ☀ appears and flashes. Let go. While flashing, push the buttons ▲ (hour) and ▼ (minutes) to set the time at which you want your fireplace to turn on in the morning.
4. Press the **TIMER** button and hold it until **P1** 🌙 appears and flashes. Let go. While flashing, push the buttons ▲ (hour) and ▼ (minutes) to set the time at which you want your fireplace to turn off when you leave.
5. Press the **TIMER** button and hold it until **P2** ☀ appears and flashes. Let go. While flashing, push the buttons ▲ (hour) and ▼ (minutes) to set the time at which you want your fireplace will turn back on in the afternoon.
6. Press the **TIMER** button and hold it until **P2** 🌙 appears and flashes. Let go. While flashing, push the buttons ▲ (hour) and ▼ (minutes) to set the time at which you want your fireplace to turn off in the evening.
7. That is all you have to do. Your fireplace will give you steady, even heat at the temperatures and times you set.

Note: If you want to set your fireplace for only one time on and off, set **P2** ☀ and **P2** 🌙 for the same times as **P1** 🌙. The remote will record the **P1** 🌙 off time for both **P2** times.

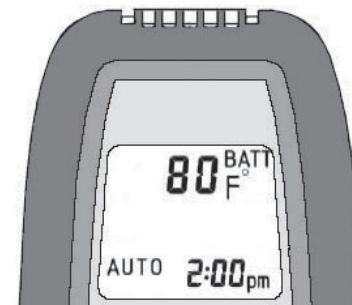
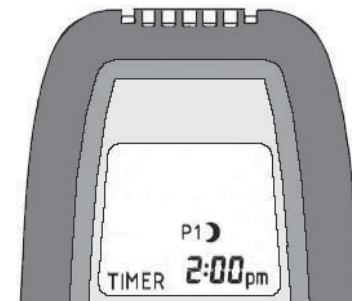
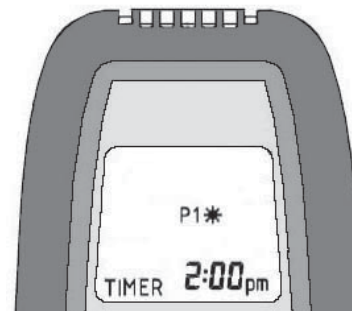
To temporarily override the timer setting, just press **AUTO** or ▲ and ▼ to go back to manual settings. Press **TIMER** to go back to your settings.

Battery Replacement

When your remote control displays **BATT**, you need to replace the battery with a new 9 volt alkaline battery—6LR61/MN1604.

CAUTION

DO NOT USE a screwdriver or other metallic object to remove the batteries from the receiver or the handset! This could cause a short circuit to the receiver.



Options

Required Accessories*

Venting

Pipe—Generic 3" dia. flexible aluminum liner approved for gas venting into existing fireplace and chimneys or 4" dia. type "B" vent with zero clearance kit option.

Optional Accessories*

Decorative Cast Iron Frets

RA24CV—Contemporary, Vintage Iron Finish

RA24AV—Avant-Garde, Vintage Iron Finish

RA24TB—Traditional, Black Finish

1225VFB—Ventana Fret, Black

RA24FK—Fret Kit, Required for all Frets

Other Accessories

RA24ZC—Zero Clearance Kit

715CVI—Cast Iron Surround (with RA24ZC only)

Screened Fronts (with RA24ZC only)

RA24DS—Draw Screen

RA24FS—Fixed Screen

743FVI—FenderFire Double Door

744FVI—FenderFire Single Door

555CFK—Circulating Fan Kit, thermally actuated, variable speed, 6' c/w grounded cordset

Gas Conversion Kits

RA24NK—Converts from LPG to NG

RA24PK—Converts from NG to LPG

Hearth Gate

Hearth gates such as Cardinal's VersaGates are available at retail stores carrying safety products for children.

*Information accurate at the time of printing and subject to change without notice.

Lighting Instructions

FOR YOUR SAFETY READ BEFORE LIGHTING

WARNING: If you do not follow these instructions exactly, a fire or explosion may result causing property damage, personal injury or loss of life.

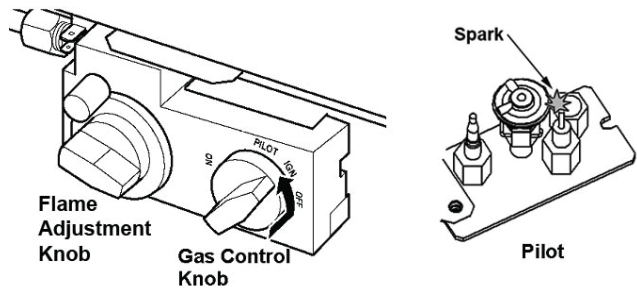
- A. This appliance has a pilot, which must be lighted by hand. When lighting the pilot, follow these instructions exactly. To save energy, turn the pilot off when not using the appliance.
- B. **BEFORE LIGHTING** smell all around the appliance area for gas. Be sure to smell next to the floor because some gas is heavier than air and will settle on the floor.

WHAT TO DO IF YOU SMELL GAS

- Do not try to light any appliance.
 - Do not touch any electric switch; do not use any phone in your building.
 - Immediately call your gas supplier from a neighbor's phone. Follow the gas supplier's instructions.
 - If you cannot reach your gas supplier, call the fire department.
- C. Use only your hand to push in or turn the control knobs. Never use tools. If the controls will not push in or turn by hand, don't try to repair them, call a qualified service technician. Force or attempted repair may result in a fire or explosion.
- D. Do not use this appliance if any part has been under water. Immediately call a qualified service technician to inspect the appliance and to replace any part of the control system and any gas control, which has been under water.

LIGHTING INSTRUCTIONS

1. **STOP!** Read the safety information above.
 2. Set the flame adjustment knob as far clockwise ↻ as possible*.
 3. Turn the gas control knob clockwise ↻ to OFF.
- NOTE:** The knob cannot be turned from PILOT to OFF unless it is pushed in partially. Do not force.
4. Wait five (5) minutes to clear out any gas, then smell for gas, including near the floor. If you smell gas, **STOP!** Follow "B" in the safety information above. If you don't smell gas, go to the next step.



5. Find the pilot. It is at the left side of the firebox viewed through slotted hole in front log.
6. Push in and turn the gas control knob counterclockwise until resistance is felt just before the "IGN" position.
7. Keep pushed in for a few seconds to allow gas to flow then, keeping knob depressed, turn to "PILOT" to light pilot. Hold knob in for a further 5 seconds then release. The knob should pop back out. Pilot should remain lit. If pilot goes out repeat steps 3 through 7.
 - If knob does not pop out when released, stop and immediately call your service technician or gas supplier.
 - If pilot lights but will not stay lit after several tries, turn the gas control knob to "OFF" and call your service technician or gas supplier.
8. When pilot is lit, partially depress the knob and turn to "ON" position (Burner alight).
 - Do not leave knob set between "PILOT" and "ON".
9. Set the flame height to desired setting*.

TO TURN OFF GAS TO APPLIANCE

1. Set the flame adjustment knob as far clockwise ↻ as possible*
2. Push in gas control knob slightly and turn clockwise ↻ to "OFF". Do not force.

* The flame height can be increased or decreased by depressing the remote control hand set button.

This appliance is intended for installation **into existing masonry or factory-built, solid-fuel burning fireplaces only.**

Approvals and Codes

This appliance is certified to ANSI Z21.88-2014 / CSA 2.33-2014 American National Standard / CSA Standard for *Vented Gas Fireplace Heaters* for use in Canada and the USA and to CGA 2.17-91 *High Altitude Standard in Canada*. This appliance is for direct vent installation terminating at the roof only.

Model RF24XBN is for use with Natural Gas only.

Model RF24XBP is for use with LPG only.

Conversion between fuels may only be done using the approved conversion kits listed in the section *Options*.

This appliance complies with CSA P.4.1-15 *Testing method for measuring annual fireplace efficiencies*.

The installation must conform to local codes or, in the absence of local codes with the *National Fuel Gas Code, ANSI Z223.1/NFPA 54* or the *Canadian Installation Code CAN/CGA-B149.1*. Only qualified licensed or trained personnel should install this appliance.

This appliance, when installed, must be electrically grounded in accordance with local codes, or in the absence of local codes, with the *National Electrical Code, ANSI/NFPA 70* or the *Canadian Electrical Code, CSA C22.1*

Ratings

Model	XBN	XBP
Gas	Natural	Propane
Altitude (Ft.)*	0-4,500 feet*	
Input Maximum (Btu/h)	20,500	19,000
Input Minimum (Btu/h)	12,500	12,500
Manifold Pressure (in w.c.)	3.7	10.5
Minimum Supply Pressure (in w.c.)	5.0	11.0
Maximum Supply Pressure (in w.c.)	10.5	14.0
Main Burner Injector Marking	82-580	92-200
Pilot Injector Marking	51	30

*High Altitude Installations

Input ratings are shown in BTU per hour and are certified without deration for elevations up to 4,500 feet (1,370 m) above sea level.

For elevations above 4,500 feet (1,370 m) in USA, installations must be in accordance with the current ANSI Z223.1 and/or local codes having jurisdiction. In Canada, please consult provincial and/or local authorities having jurisdiction for installations at elevations above 4,500 feet (1,370 m).

⚠ WARNING

Some materials or items, although safe, may discolor, shrink, warp, crack, peel, and so on because of the heat produced by the fireplace. Avoid placing candles, paintings, photos, and other items sensitive to heat around the fireplace.

⚠ WARNING

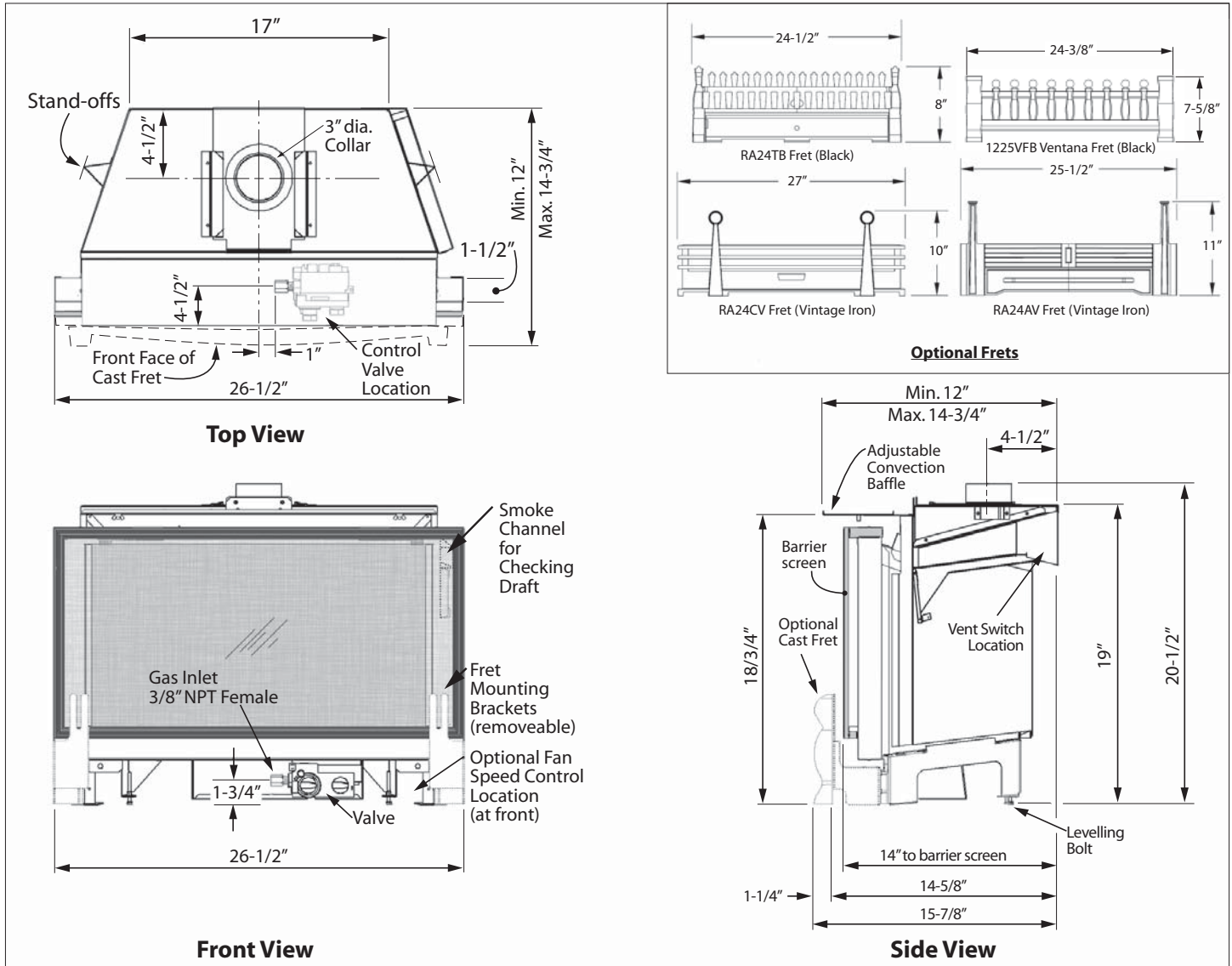
HOT HEARTH / FLOOR! The hearth or floor in front of the fireplace may become very hot when the fireplace heats. Do not use the hearth as a seat or shelf. Solid wood flooring in front of the fireplace (if allowed) may shrink during the heating season due to heat.

This appliance is designed and approved as a supplemental heater and provides the potential for most energy conservation when used while attended. The use of an alternate primary heat source is advisable.

Dimensions

Dimensions—for Solid-Fuel Burning Fireplace Insert Only

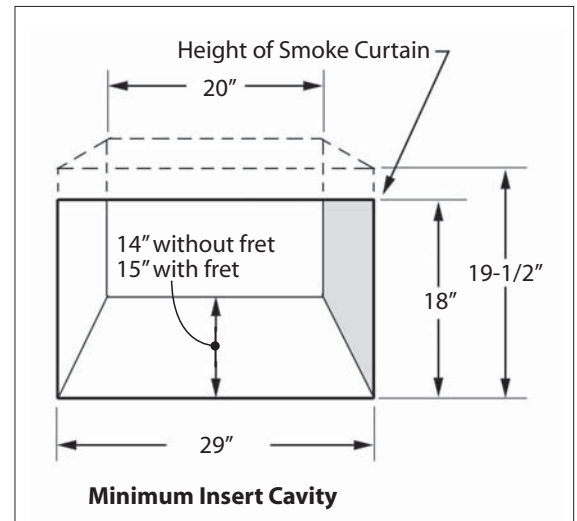
See separate framing Dimensions for Zero Clearance applications with the Zero Clearance Kit RA24ZC.



Minimum Cavity Dimensions—For Solid-Fuel Burning Fireplace Insert

(See separate framing dimensions for Zero Clearance applications in the Zero Clearance Kit RA24ZC.)

The diagram shows minimum dimensions required to install the RF24. Installations in cavities having a combination of **all** the minimum dimensions shown, although possible, may prove to be difficult.



Dimensions

Mantel / Hearth Clearances

Combustible Mantel and Hearth Clearances for insert applications must conform to those required for the original solid-fuel burning fireplace in which the RF24 insert is being installed.

NOTE: The glass front and hearth are very hot. Existing wire mesh screens or free standing hearth mounted mesh screens may be used in front of the RF24 insert to help minimize the chance of injury.

Vent Configurations

Vent Materials

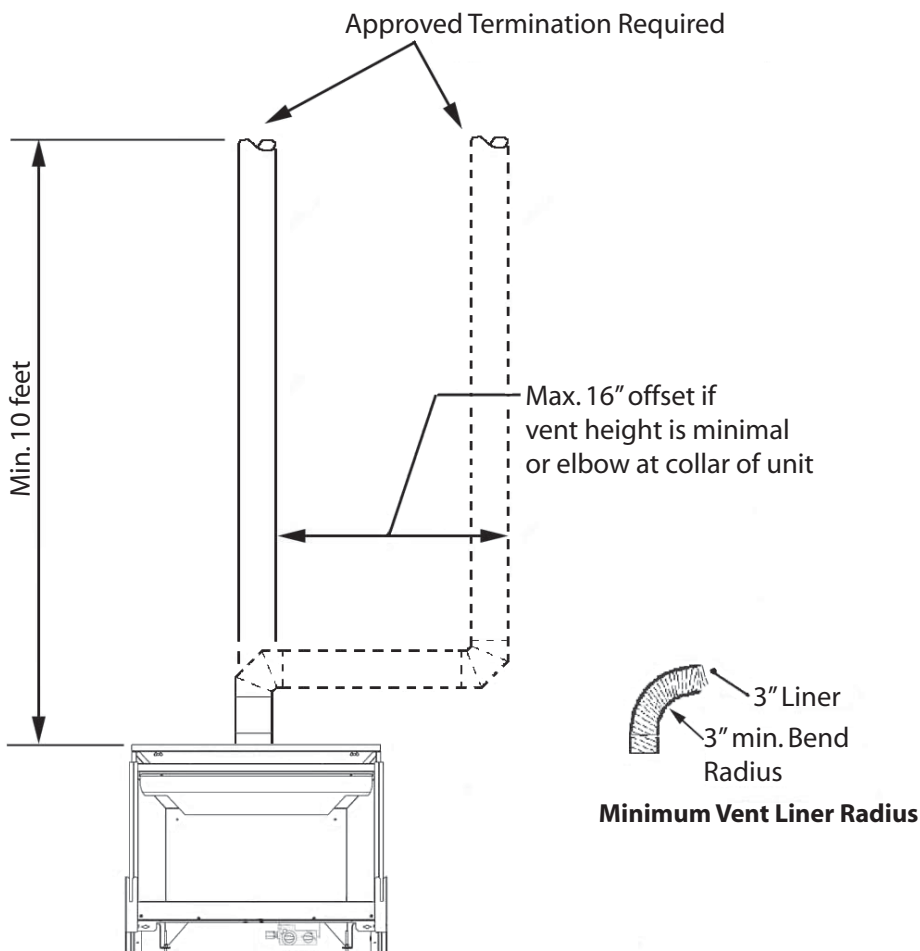
Use a 3" diameter aluminium flex liner approved for gas venting when installing as an insert (existing chimneys).

Use a 4" diameter type "B" vent when installing with a RA24ZC Zero Clearance Kit. See separate instructions packaged with the Zero Clearance Kit.

The minimum vent lengths are shown below. For other allowable configurations, refer to the venting tables in the *National Fuel Gas Code Z223.1* or the *Natural Gas and Propane Installation Code B149.1*.

WARNING

Failure to position the parts in accordance with these diagrams or failure to use only parts specifically approved with this appliance may result in property damage or personal injury.



Allowable Vent Configurations

Existing Fireplace Preparation

A few points must be considered before inserting the RF24 into an existing fireplace cavity. Generally, modifications to the existing fireplace that will compromise its integrity are NOT allowed. Components that are bolted or screwed on such as dampers or baffles may be removed to accommodate the installation of the RF24 engine. **Cutting away any sheet metal parts of the existing fireplace to accommodate the installation of the RF24 is prohibited.** Check with local authorities if in doubt.

Clean Fireplace and Chimney

Have the chimney swept and the fireplace cavity including ash dumps and clean-outs cleaned before installing the RF24 heater and vent liners. Any creosote or soot residue remaining in the fireplace cavity, chimney, or clean-out may cause odors or stains once the RF24 insert is installed. Consult with chimney sweep for information on how best to clean.

Existing Dampers

Factory-built, zero-clearance fireplaces will require the damper to be removed in order to install the vent liners. These dampers are usually bolted into place. Dampers in masonry fireplaces must be fixed open and may remain in place.

Ash Retaining Curbs

Some fireplaces (particularly factory-built) have a raised curb at the front edge to retain ashes. Check the dimensions carefully to ensure the RF24 engine will fit behind any raised curb (some curbs may be removed separately from the refractory base). The fret retainers allow for some vertical adjustment of the cast iron fret should the fret need to sit on top of the curb, otherwise the fret will need to be eliminated or adequate room provided behind the curb.

Gas Line Routing

Plan the routing of the gas line before proceeding. Utilize the existing hole for the gas line. If the factory-built fireplace has no access hole, carefully drill an access hole of 1.5 inch (38 mm) or less through the lower sides or bottom of the firebox. The access hole must be plugged with non-combustible insulation after the gas supply line has been installed. See General Dimension drawing for detailed location of gas inlet. Also, take into consideration whether or not a fan or shut-off valve will interfere when planning routing of the gas line.

Existing Glass Doors and Wire Screens

Existing glass doors must be permanently removed prior to installing the RF24 insert. Existing wire fire screens may remain in place or new ones may be added. The RF24 has been tested and approved to operate with wire fire screens in the **closed** or **open** positions.

Combustible Mantels

Combustible mantel clearances must conform to those required for the original solid-fuel fireplace into which the RF24 is being installed.

Paint Existing Refractory Liners

It may be desirable, for visual reasons, to paint the existing refractory liners in black to blend in with the RF24 insert once installed.

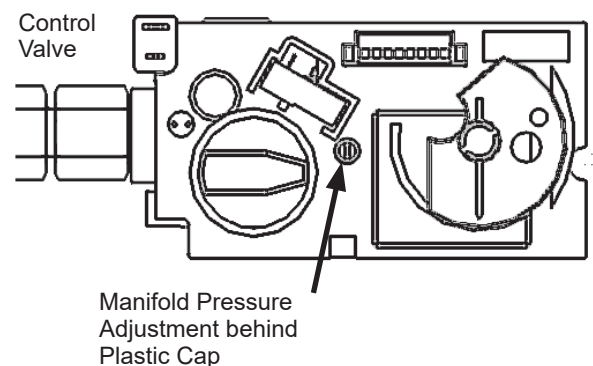
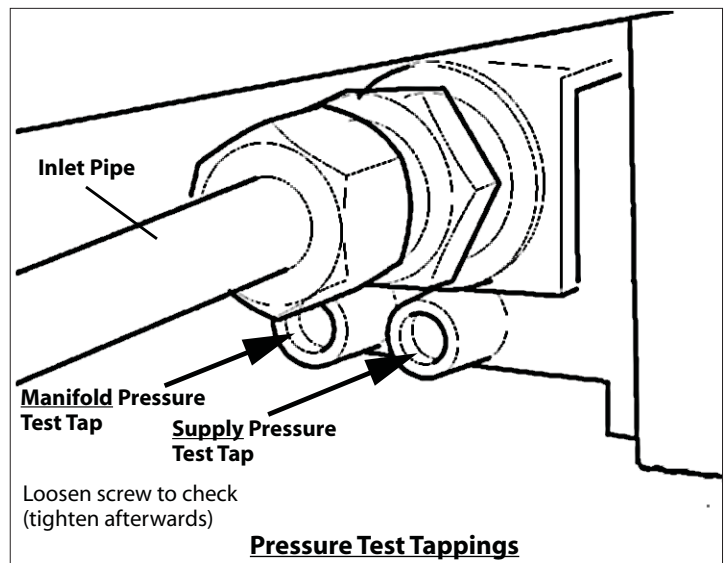
Attach Warning Label to Existing Fireplace (label supplied loose with RF24 heater)

Attach the "This fireplace has been converted..." label **to the existing fireplace** using screws or other mechanical means and store any removed parts in back of the existing fireplace for future use.

Connect Gas Supply

- It's preferable to rough-in the gas line at this point before proceeding with the firebox installation.
- The gas supply inlet connection is a 3/8" NPT female connector. For detailed location of this connector, see drawing in section *Dimensions*. If a circulating fan or isolating valve is to be installed, adjust the routing of the gas line to suit.
- Use only new black iron or steel pipes or copper tubing if acceptable—check local codes. Note that in USA, copper tubing must be internally tinned for protection against sulfur compounds.
- Unions in gas lines should be of ground joint type.
- The gas supply line must be sized and installed to provide a supply of gas sufficient to meet the maximum demand of the appliance without undue loss of pressure.
- Sealant used must be resistant to the action of all gas constituents including LP gas. Sealant should be applied lightly to male threads to ensure excess sealant does not enter gas lines.
- The supply line should include a manual shut-off valve and union to allow the appliance to be disconnected for servicing.
- Pressure test the supply line for leaks.
- **The appliance and its individual shut-off valve must be disconnected from the gas supply piping system during any pressure testing of that system at test pressures in excess of ½ psig (3.5 kPa).**
- **The appliance must be isolated from the gas supply piping system by closing its individual manual shut-off valve during any pressure testing of the gas supply piping system at test pressures equal to or less than ½ psig (3.5 kPa).**
- Failure to either disconnect or isolate the appliance during pressure testing may result in regulator or valve damage. Consult your dealer in this case.
- The minimum supply pressure is given in the section *Specifications* of this manual.
- All piping and connections must be tested for leaks after installation or servicing. All leaks must be corrected immediately.
- When testing for leaks:

- Make sure that the appliance is turned off.
- Open the manual shut-off valve.
- Test for leaks by applying a liquid detergent or soap solution to all joints. Bubbles forming indicate a gas leak. **Never use an open flame to check for leaks.**
- Correct any leak detected immediately.
- The pressure test tapping locations are shown in figure below. A built-in non-adjustable regulator controls the burner manifold pressure. The correct pressure range is shown in the table in section *Specifications* of this manual. The pressure check should be made with the burner alight and at its highest setting. See *Lighting Instructions* section for full operating details.

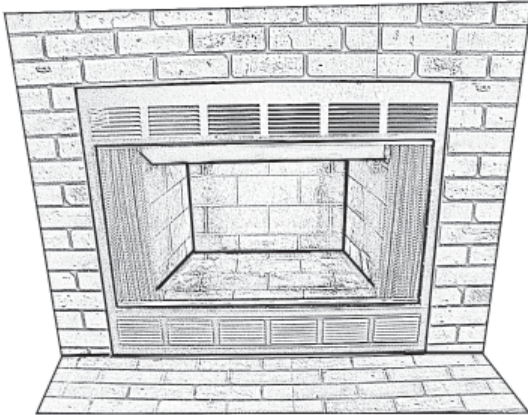


Installation

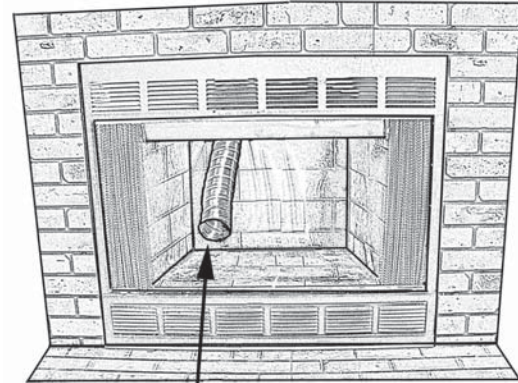
Rough-in Vent Liner

Rough-in the 3" diameter vent liner into existing chimney system being careful not to tear or damage the liner in the process. Leave plenty of liner at the bottom end if the heater will be connected while on the hearth—see diagram.

When connecting the liner in this manner, **it is best to leave the top termination until later** so the slack liner can be lifted after the insert is in place.



Existing Fireplace

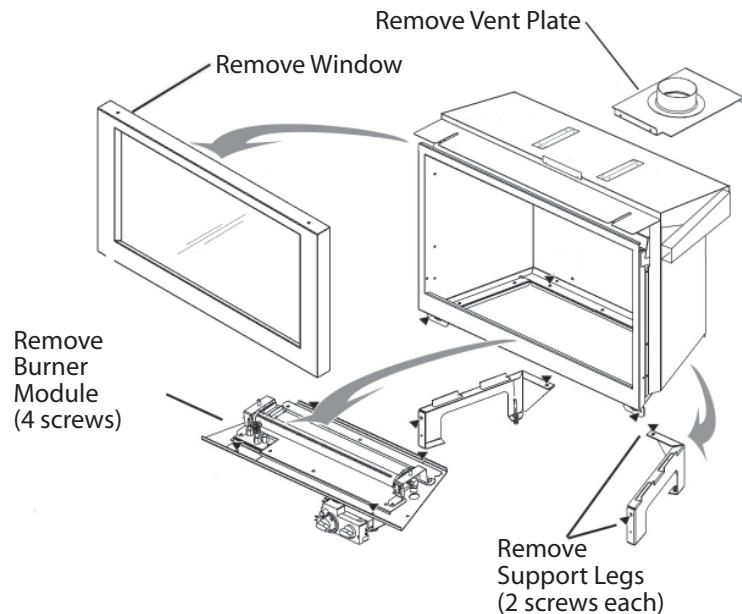
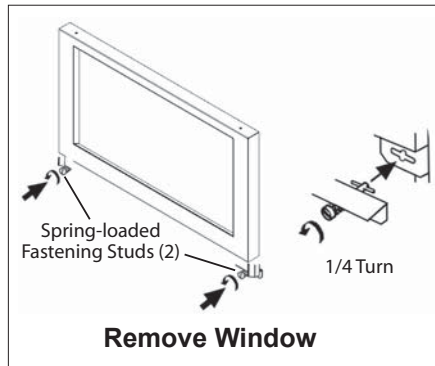


**3" dia. Aluminum Liner
Rough-In Liner**

Prepare Appliance

The size of the existing fireplace cavity will affect the method of installation. Smaller fireplaces, particularly factory-built zero-clearance fireplaces will require the RF24 firebox to be disassembled then reassembled inside the fireplace. Plan your particular installation accordingly.

1. Unpack appliance.
2. Remove window.
3. Remove log pack from firebox.
4. Strip firebox down by removing:
 - a. Burner Module (4 screws),
 - b. Vent plate (2 screws);
 - c. Support Legs (2 screws per leg) (required when inserting into small fireplaces only)



Installation

Connect Vent Liner to Appliance

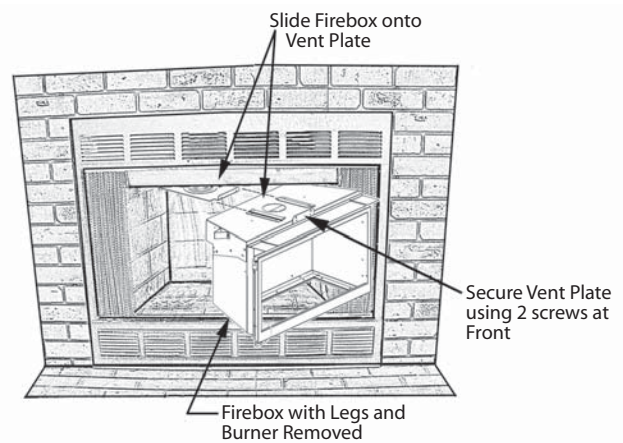
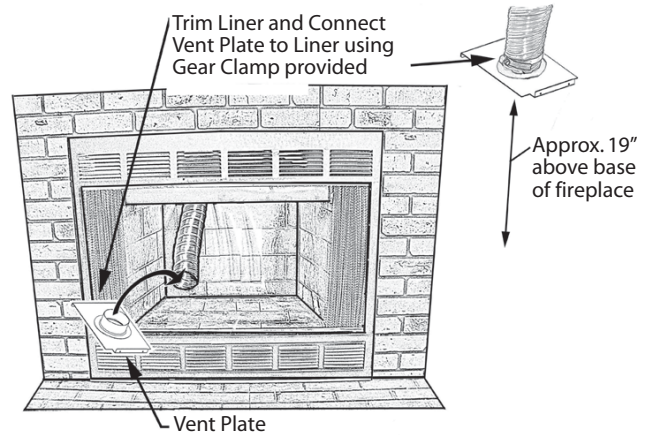
The vent plate will ultimately locate approximately 19" above the base of the fireplace once inserted.

1. Trim the liner accordingly so it will not be too long once the firebox is raised.
2. Connect the liner to the vent plate using the gear clamp provided.
3. Stretch the liner down and slide the firebox onto the vent plate.
4. Secure the vent plate to the firebox using 2 screws through the front tab.

NOTE: When installing into larger fireplaces, the RF24 may be connected to the liner while sitting out on the hearth or inside the fireplace without removing the vent plate.

The support legs may also be left in place if the fireplace is large enough.

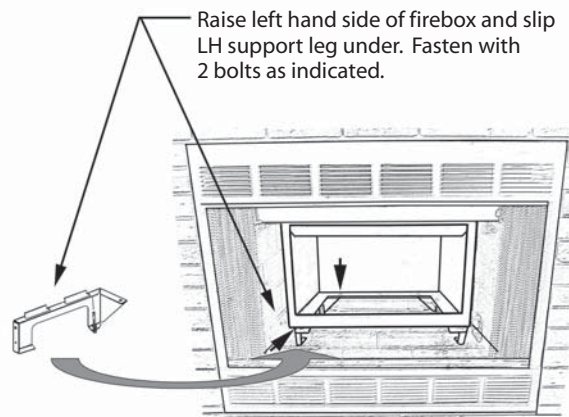
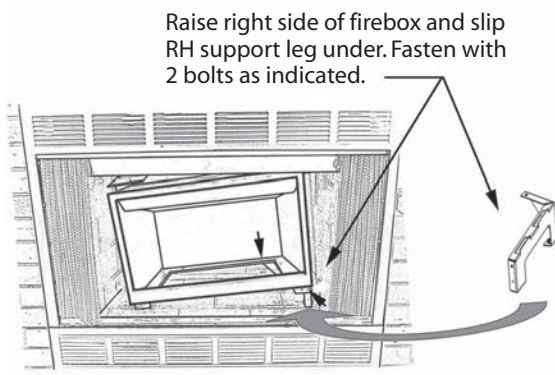
If the liner is connected to the firebox on the hearth, it will be necessary to pull the slack liner up from the top of the chimney after the firebox is installed.



Re-install Support Legs (if removed)

With the firebox recessed behind the smoke curtain of the existing fireplace, raise the firebox and place the individual support legs under the firebox. Placing a temporary shim under the firebox, such as a 2" x 4",

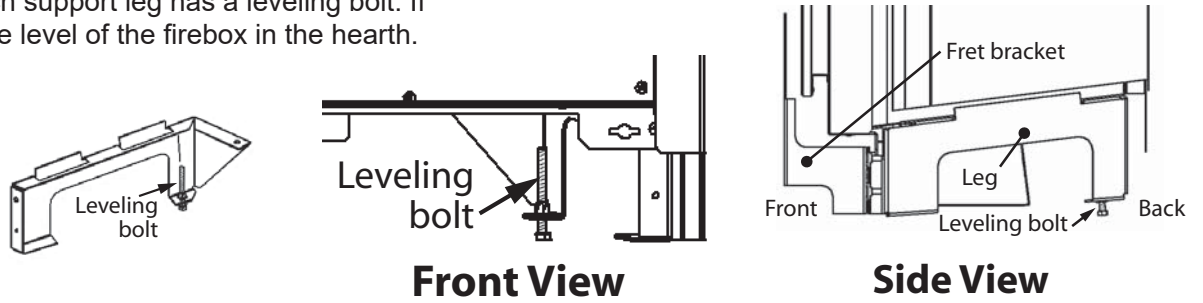
may help while positioning the support legs. Tabs are provided on the support legs to help position them. Fasten the support legs at the points indicated by the arrows using the bolts provided (2 per side).



Installation

Level Appliance in Hearth

The backside of each support leg has a leveling bolt. If necessary, adjust the level of the firebox in the hearth.

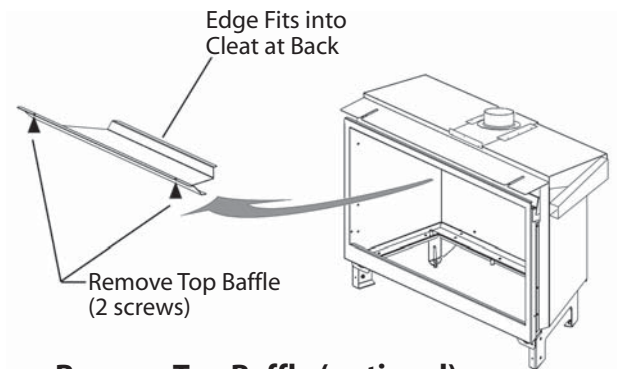
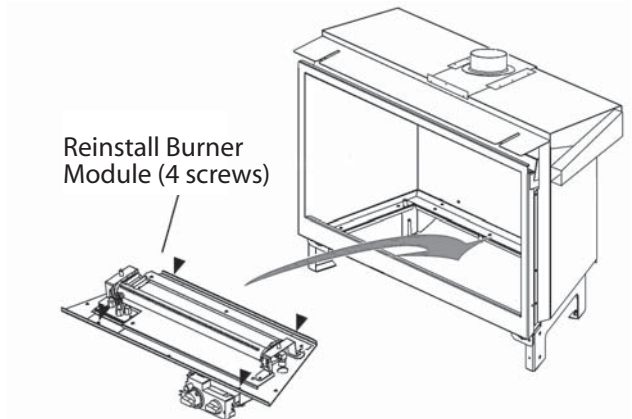


Re-install Burner Module

Note: If the circulating fan is to be installed it should be done at this point before installing the burner module. See instructions packaged with the fan for details of the fan installation.

Reinstall the burner module using the 4 screws removed previously.

Note: The upper baffle may be removed to gain more room for the screwdriver to install the rear screws.

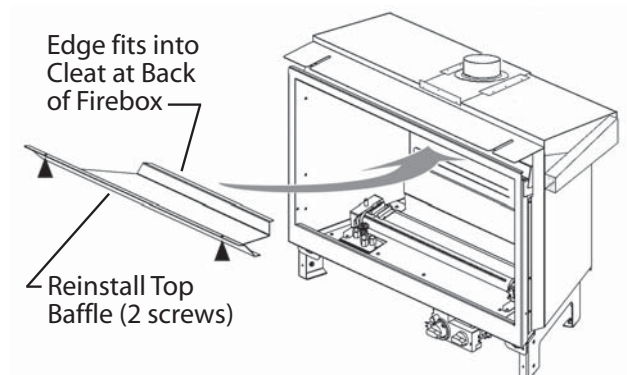


Remove Top Baffle (optional)
(to provide space for a screwdriver)

Connect Gas Line and Test Appliance

Connect the gas line to the burner module. Check for leaks, purge the line, and test-fire the unit before installing the window or proceeding with the remainder of the install—see *Lighting Instructions* section.

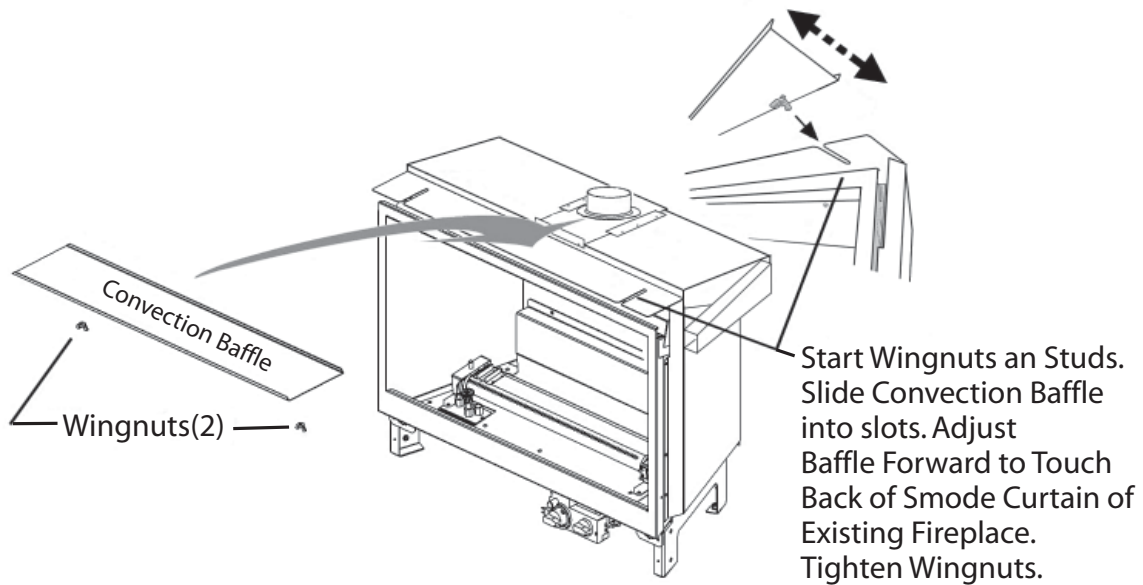
Re-install Top Baffle (if removed)



Install Top Convection Baffle

Position the firebox as far back as possible within the existing fireplace to allow ample space at front for the fret and to allow convection air to flow under the smoke curtain of the existing fireplace.

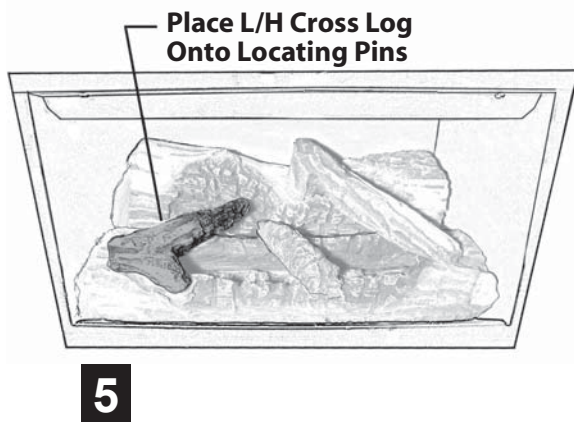
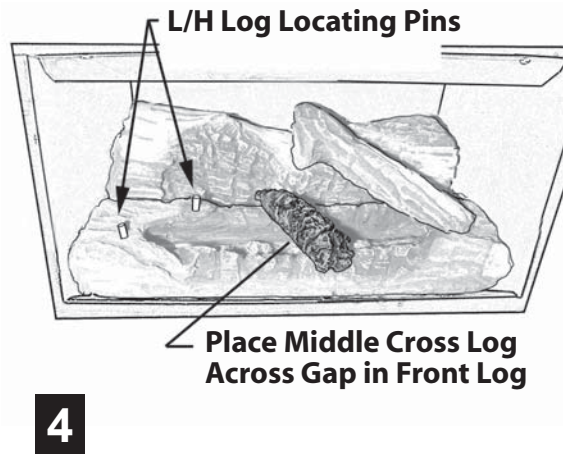
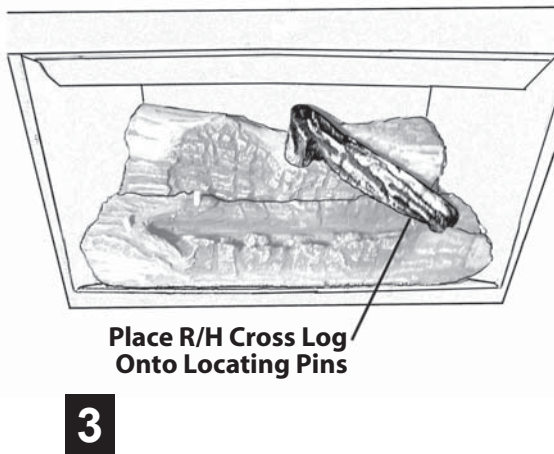
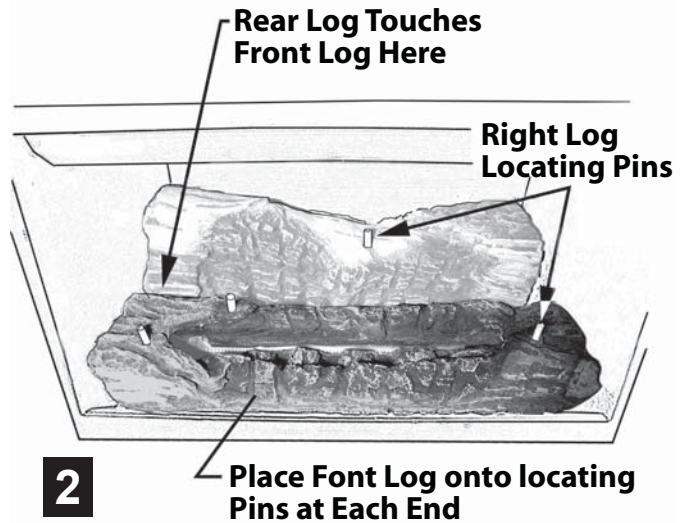
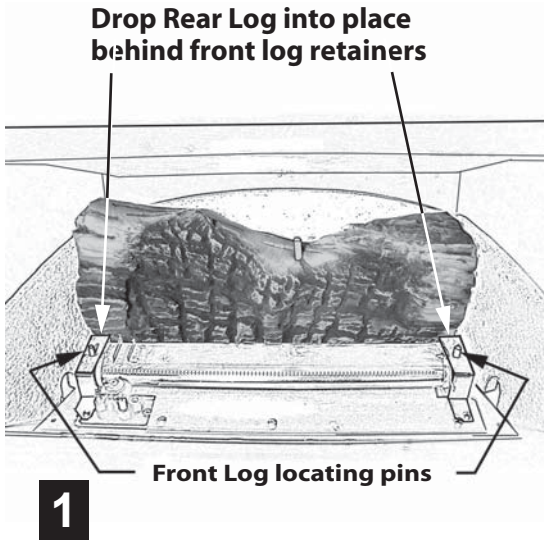
Position the top convection baffle with the threaded studs pointing downwards into the slots at the top of the firebox. Slide the convection baffle **as far forward as possible**, angled down if possible, to force the air under the smoke curtain, and tighten the wing nuts.



Install Ceramic Log Set

Carefully remove the ceramic logs from the packaging taking care not to damage them. Install the logs as described below.

The position of the logs is critical to insure the good performance of the appliance.



Installation

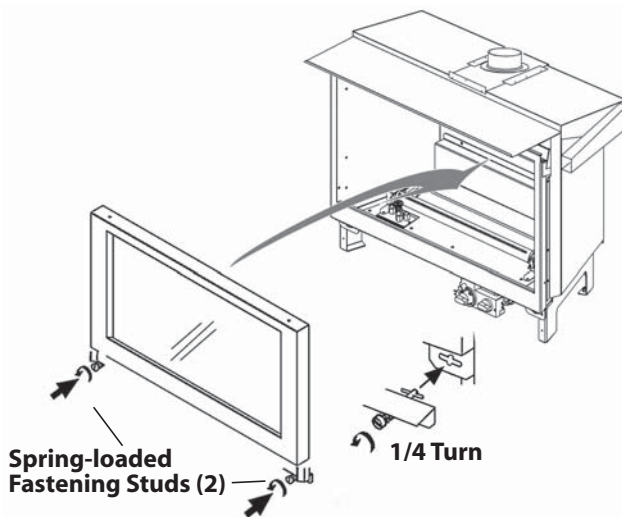
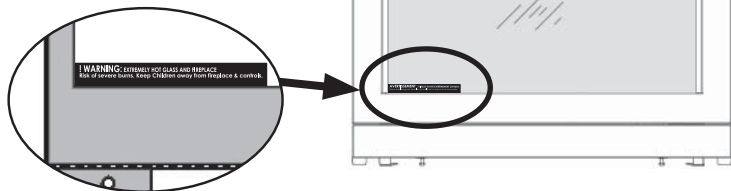
Refit Window

Hook the window over the top edge of the firebox, and fasten the bottom two spring loaded bolts by pushing in and turning 90 degrees.

If the Hot Glass Warning plate has been removed from the front lower corner of the window, reinstall it by sliding it between the glass and the frame as indicated.

! WARNING: EXTREMELY HOT GLASS AND FIREPLACE
Risk of severe burns. Keep Children away from fireplace & controls.
Risque de brûlures graves. Évitez les enfants de s'approcher de la cheminée et des commandes.
AVERTISSEMENT : VITRE ET FOYER EXTREMEMENT CHAUDS

Hot Glass Plate



Note: To remove the window, the optional bottom cover or the cast iron fret and fret retainers as well as the screen will need to be removed first—see sections *Optional Cast Iron Fret Installation* or *Optional Bottom Cover Installation*.

Install Remote Control

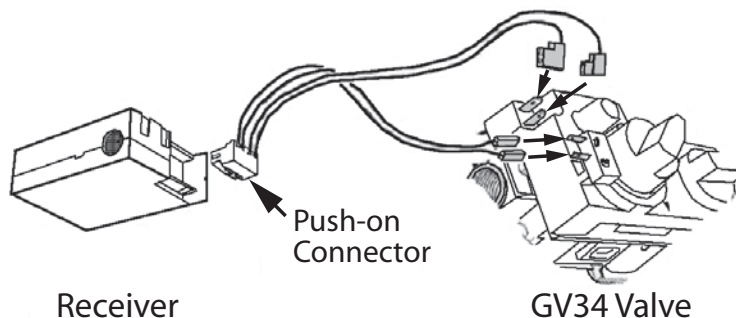
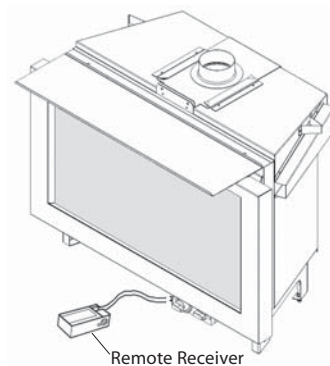
CAUTION

DO NOT PUT BATTERIES IN THE REMOTE CONTROL RECEIVER until the wires are connected to the burner control unit as short-circuit could result in the destruction of the electrical components.

CAUTION

DO NOT USE a screwdriver or other metallic object to remove the batteries from the receiver or the handset! This could cause a short circuit to the receiver.

1. Connect the wiring harness to the receiver box, by pushing the wire connector on to the receiver circuit board. The plug will only go on one way so please ensure that the wires are pointing up and slot in the board is in line with the tab on the wiring harness plug.
2. Connect wires as shown. Please note that the “L” connectors are different sizes, the smaller one fits to the lower connection and the larger one the top connection on the top left hand side of the valve. The other two wire connectors can be fitted to either terminal located to the left of the flame control button.
3. Remove the remote control receiver lid.
4. Fit four AA 1.5 V alkaline batteries.
5. Place the remote control receiver on the base of the fireplace beside the valve.
6. Fit the 9 V alkaline battery to the handset transmitter.



Remote control operating instructions are on pages 9–10 of this manual.

Check Operation

Turn the fireplace up and down using the remote control to confirm that the full range of inputs is achieved.

Adjust Aeration (if necessary)

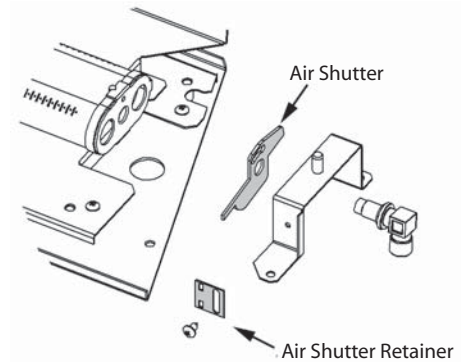
Light the fire and allow to warm up for 10–15 minutes to evaluate the flame picture. The burner is equipped with an adjustable air shutter to control primary aeration. See figures below. The shutter is factory-set at an aeration gap, which will give optimum performance for the vast majority of installations.

Depending of altitude and other considerations, the flame picture may be improved by adjusting the aeration. The need for adjustment should be determined only by operating the appliance with the fuel bed and window installed and evaluating the flame picture after a 15-minute warm-up.

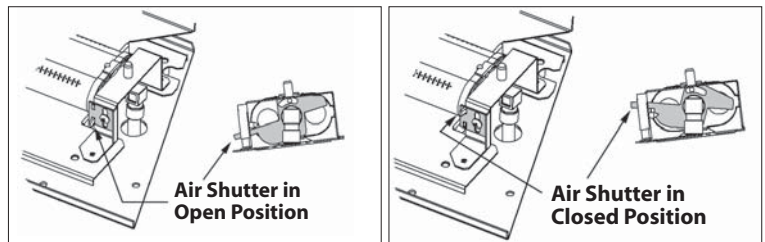
Increasing aeration will cause the flame to appear more transparent and blue making the ceramic fuel effects glow more.

Decreasing aeration will cause the flames to appear more yellow or orange making the fuel effects glow less.

Too little aeration may result in black carbon forming and dropping into the firebox.

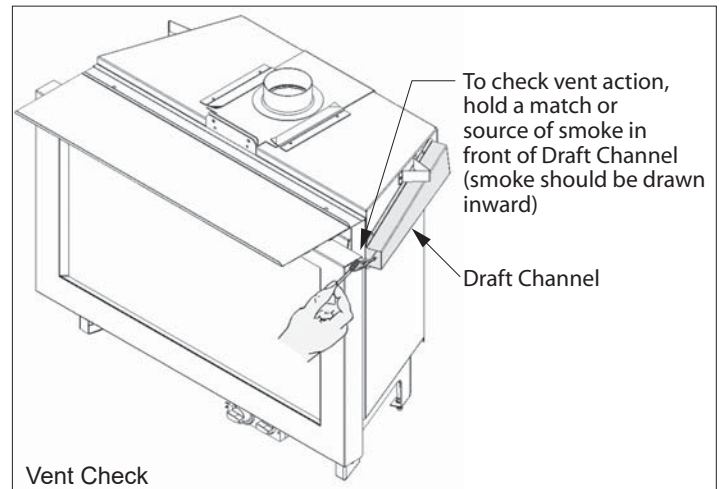
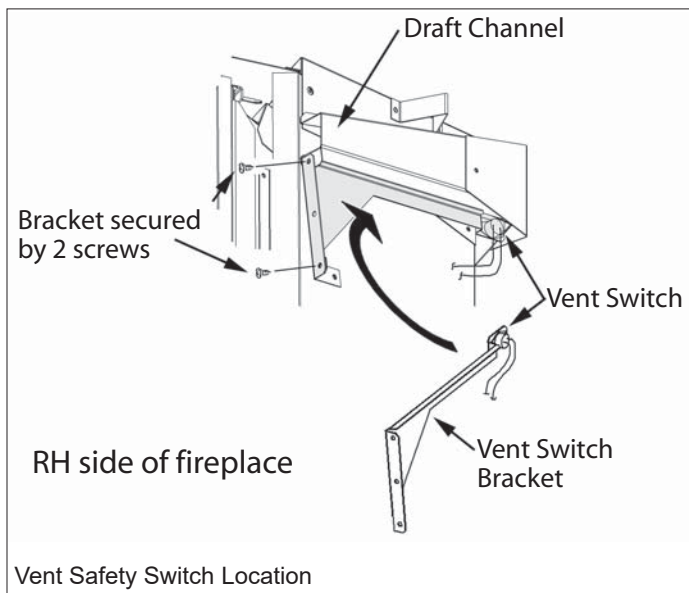


Air Shutter Components



Check Vent Safety Switch

This unit is equipped with a vent safety switch, located on the right side of the draft hood, which will shut the burner off if the vent is not functioning properly. Use a match or a source of smoke at the front of the draft channel to check direction of flow in the vent. Access to the vent switch for servicing is shown below.

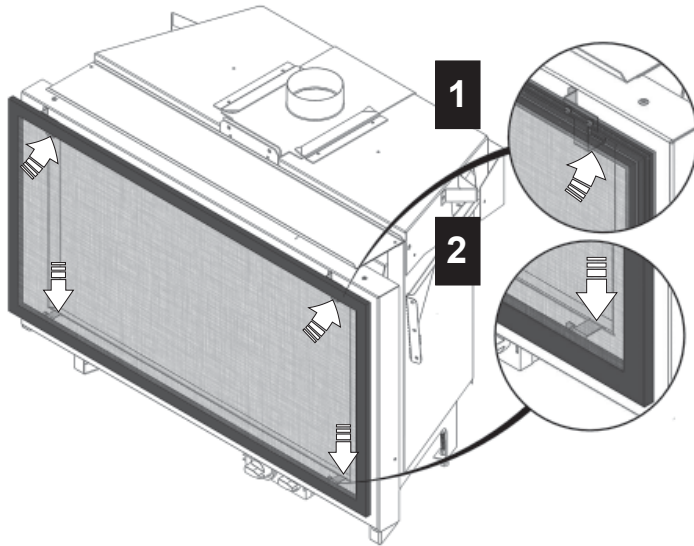


Install Barrier Screen

A barrier screen is supplied with this appliance to install on the Retrofire window. The barrier screen is designed specifically to prevent any contact with the glass of the fireplace which becomes hot during operation and remains hot when cooling.

To install the screen:

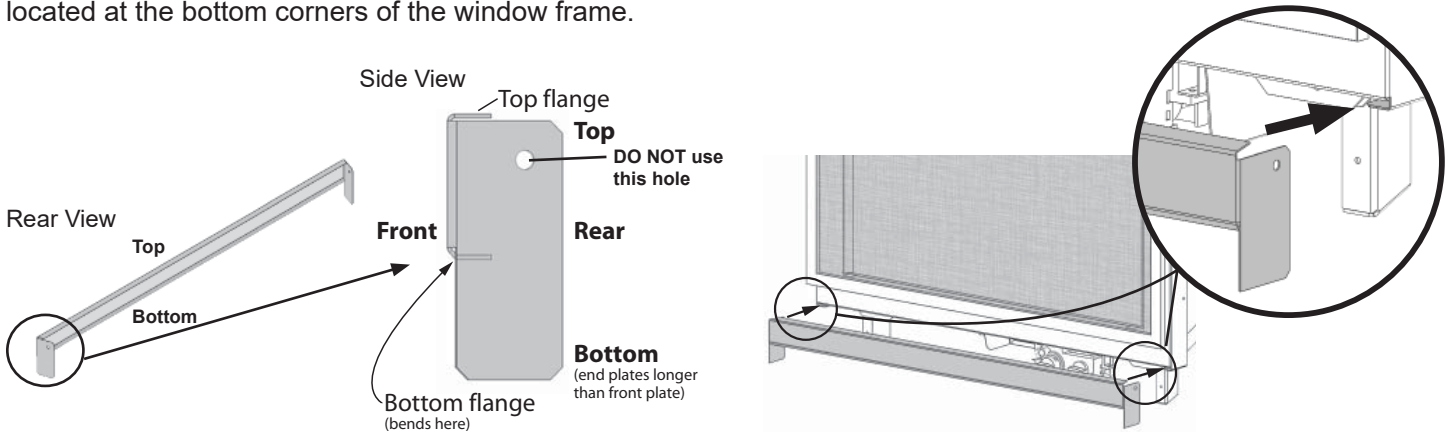
1. Hook the top of the screen by inserting the tabs into the slots in the window frame.
2. Push the screen up and insert the lower tabs into the slots of the window frame. Pull the screen down to ensure the lower tabs are well inserted.



Install Bottom Cover or Cast Iron Fret

Bottom Cover Installation

Slide the top flange of the bottom cover into slots located at the bottom corners of the window frame.

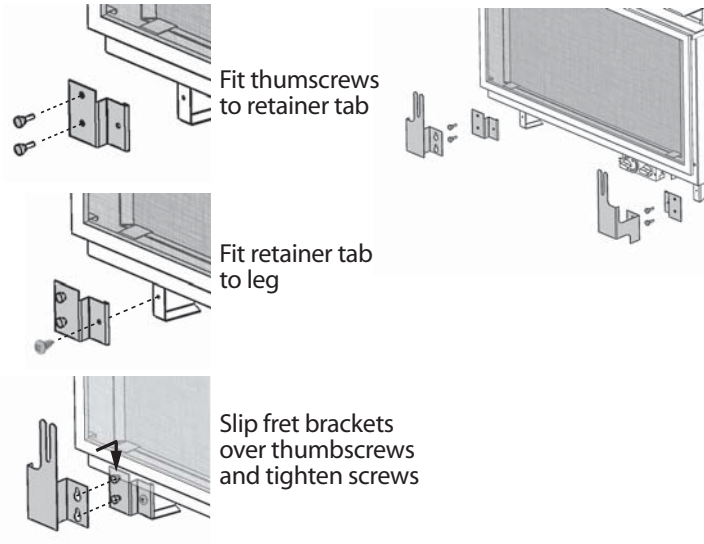


Installation

Fret Installation

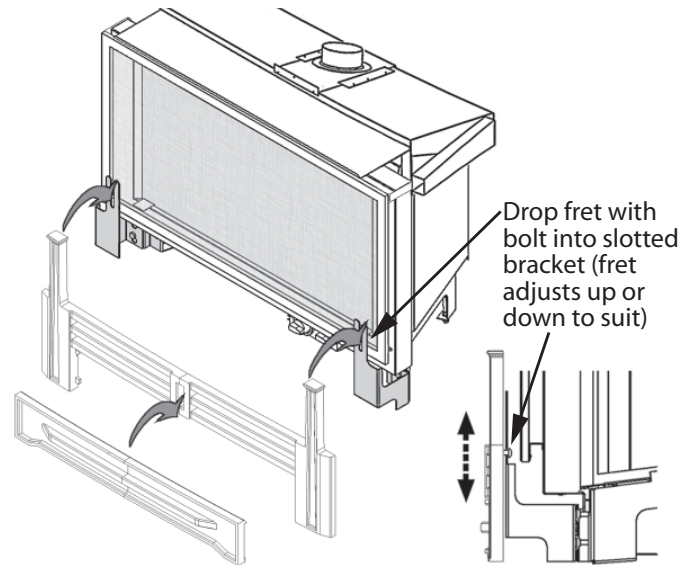
Fret Brackets Installation RA24FK

1. Screw 2 thumbscrews into each retainer tab.
2. Fit the retainer tabs to each leg (1 screw per side).
3. Fit the slotted holes in the fret brackets over the thumbscrews, push fret brackets downwards and tighten the screws.



Cast Iron Fret Installation

1. Adjust the screw heads on the back of fret to the thickness of the fret bracket.
2. Drop the fret into place while guiding the screw heads into the slots in the bracket.
3. Clip the ash pan cover onto the fret.



Warranty

If you have a problem with this unit, please contact your dealer or supplier immediately. Under no circumstances should you attempt to service the unit in any way by yourself. The warranties in paragraphs 1 and 2 are provided only to the initial owner of this unit, are not transferable and are subject to the conditions and limitations in paragraphs 3, 4 and 5. Please review the conditions and limitations carefully and strictly follow their requirements.



1. Extended Warranty Coverage

For a period of up to ten (10) years, Miles Industries Ltd., (the “Company”) or its appointed distributor will at its option pay the initial owner for the repair of, or will exchange the following parts or components which are found to be defective in material or workmanship under normal conditions of use and service:

Part or Component	Defect Covered	Maximum Warranty Period
Exterior steel casing	Corrosion	10 years
Glass	Loss of structural integrity	10 years
Cast iron parts	Corrosion	10 years
Firebox and heat exchanger	Corrosion (but not discoloration) causing loss of structural integrity	10 years

2. Two-Year Parts Warranty

In addition, for two (2) years from the date of purchase, the Company, at its option, can repair or exchange all parts and components not listed above but that are found to have a *bona fide* defect in material or workmanship under normal conditions of use.

3. Conditions and Limitations

- a) The warranty registration card must be completed by the initial owner and returned to the Company within 90 days of purchase. Alternatively, the warranty registration form may be filled out online at www.valorfireplaces.com.
- b) Installation and maintenance must be performed by an authorized and trained dealer in accordance with the Company’s installation instructions.
- c) This warranty is void where installation of the unit does not conform to all applicable codes including national and local gas appliance installation codes and building and fire codes.
- d) The owner must comply with all operating instructions.
- e) The Company is not responsible for the labor costs to remove defective parts or re-install repaired or replacement parts.
- f) The initial owner of the unit will be responsible for any shipping charges for replacement parts as well as travel time incurred by the dealer to perform the warranty work.
- g) This warranty applies to non-commercial use and service and is void if it is apparent that there is abuse, misuse, alteration, improper installation, accident or lack of maintenance to the unit.
- h) This warranty does not cover damage to the unit due to:
 - i) Improper installation, operational or environmental conditions.
 - ii) Inadequate ventilation in the area or competition for air from other household equipment or appliances.
 - iii) Chemicals, dampness, condensation, or sulphur in the fuel supply lines which exceeds industry standards.
- i) This warranty does not cover glass, log breakage or damage to the unit while in transit.
- j) The Company does not allow anyone to extend, alter or modify this warranty and assumes no responsibility for direct, indirect or consequential damages caused by the unit. State or provincial laws where the first purchaser or user resides may provide specific rights to extend this warranty and, if so, the Company’s sole obligation under this warranty is to provide labor and/or materials in accordance with those laws.

4. Discharge of Liability

After two (2) years from the date of purchase, the Company may, at its option, fully discharge all obligations under this warranty by paying to the first owner the wholesale price of any defective parts.

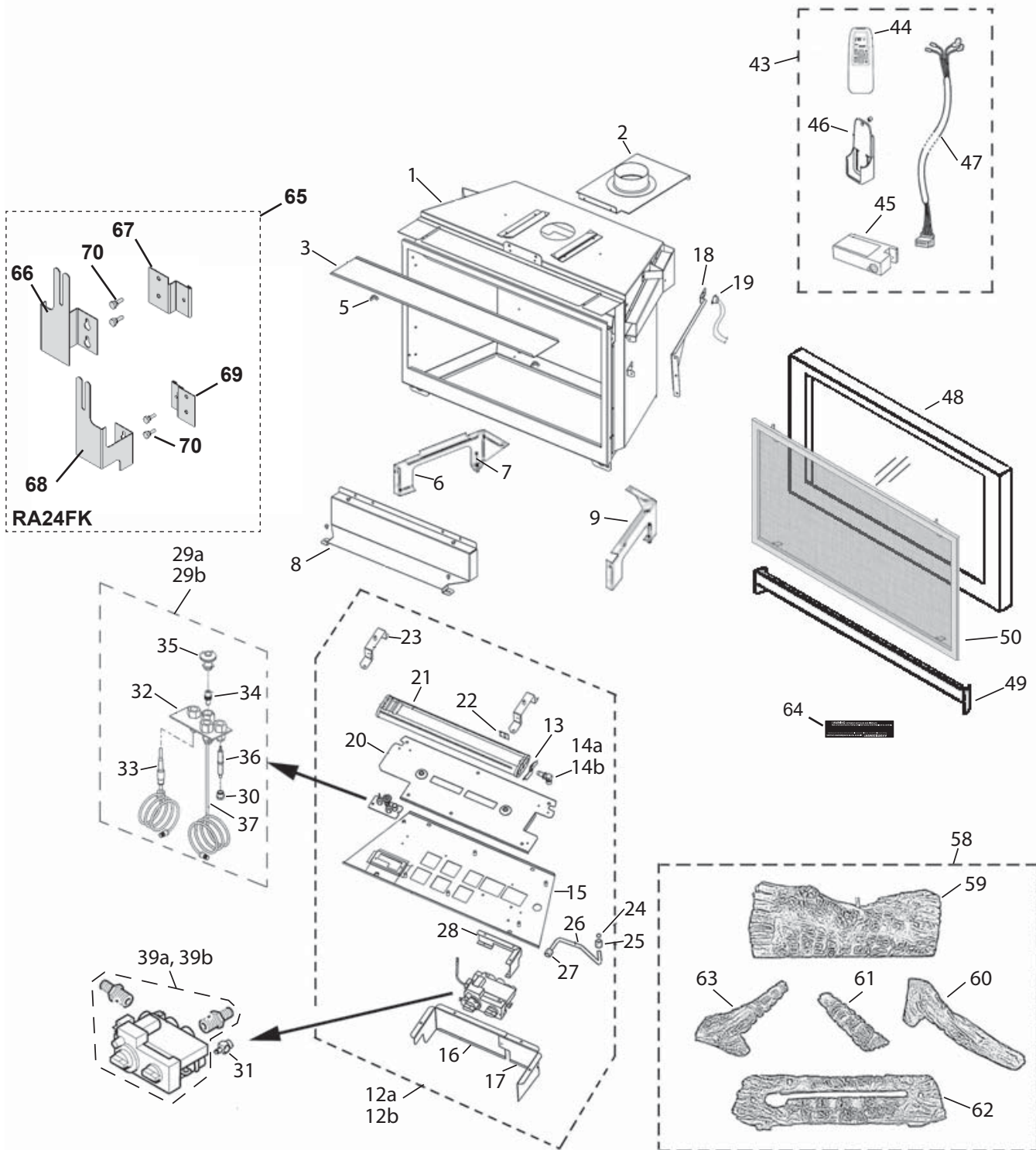
5. No Other Warranty

All obligations to repair this unit are defined in this warranty. Some states or provinces may specifically mandate additional warranties on the part of manufacturers, but in the absence of such specific legislation, there is no other warranty or obligation expressed or implied.

Spare Parts

KEY	DESCRIPTION	PART NUMBER
1	Firebox Assembly	4000634AH
2	Vent Plate	4001010
3	Convection Baffle	4001009
5	Wing Nuts (2)	4000741
6	LH Leg	4003884
7	Screw M5 x 50mm, hex hd (2)	4000242
8	Log Support	4000621
9	RH Leg	4003885
12a	Burner Tray Assy (natural gas)	4000598
12b	Burner Tray Assy (propane gas)	4000877
13	Air Shutter	4000657
14a	Injector Elbow 82-580 (natural gas)	720A580
14b	Injector Elbow 92-200 (propane gas)	9730013
15	Burner Tray	4000580
16	Burner Scoop part 1	4000880
17	Burner Scoop part 2	4001065
18	Vent Switch Assy	4000204
19	Vent Switch Bracket	4001008
20	Burner Support Plate	4000579
21	Burner	4000599
22	Shutter Slider	4000759
23	Front Log Brackets (2)	4000739
24	Olive 8 mm	420K432
25	Olive Nut	220K567
26	Pipe, Valve to Main Burner (incl. olive & nuts)	4000600
27	Tube Nut	220K558
28	Valve Mount	4000141
29a	190 Series Pilot Assy (natural gas)	4000727
29b	190 Series Pilot Assy (propane gas)	4000728
30	Electrode Nut	720A200
31	Interrupter Block	4000202
32	Pilot Bracket 190 Series	4000729
33	Thermocouple	4000061
34a	Pilot Injector #51 (natural gas)	4000735
34b	Pilot Injector #30 (propane gas)	4000736
35	2-Flame Pilot Hood	4000730

KEY	DESCRIPTION	PART NUMBER
36	Electrode	720A543
37	Pilot Tube	4000732
39a	GV34 Complete Valve (natural gas)	4003103
39b	GV34 Complete Valve (propane gas)	4003116
43	Remote Control Kit	4006114
44	Handset	4000327
45	Receiver	4006113
46	Wall Bracket	9000008
47	Wiring Harness	4006115
48	Window Assembly	4002860
49	Bottom Cover	4003005BY
50	Barrier Screen	4006028
58	Log Set Retrofire	4000603
59	Rear Log	4000688
60	RH Log	4000691
61	Center Log	4000692
62	Front Log	4000689
63	LH Log	4000690
64	Hot Glass Warning Plate	4003093
65	Fret Kit	RA24FK
66	LH Fret Support	4003652BY
67	LH Retainer Tab	4003650
68	RH Fret Support	4003651BY
69	RH Retainer Tab	4003649
70	Thumbscrew #10-32 x 1/2" (4)	4000753



Thank You ...

For purchasing a Valor by Miles Industries. Your new radiant gas heater is a technical appliance that must be installed by a qualified installer.

Please fill in the information below. The information provided will be used for customer records only.



Fireplace Information

Model Number: RF24X BN or BP

Serial Number:

Date Purchase (yyyy-mm-dd):

Dealer:

Customer Information

First Name:

Last Name:

Contact Information

Email:

Mailing Address

Address:

City:

Province/State:

Postal/Zip Code:

Country:

Cut out page, fill information, and mail to Miles Industries Ltd.

Online Warranty registration at www.valorfireplaces.com



Tape Shut



Fold here



Postage
needed

Miles Industries Ltd.
190 - 2255 Dollarton Highway
North Vancouver, BC V7H 3B1
Canada

Online Warranty registration at www.valorfireplaces.com



Thank you for choosing a Valor Product