



Retrofire BV

Jan 2021

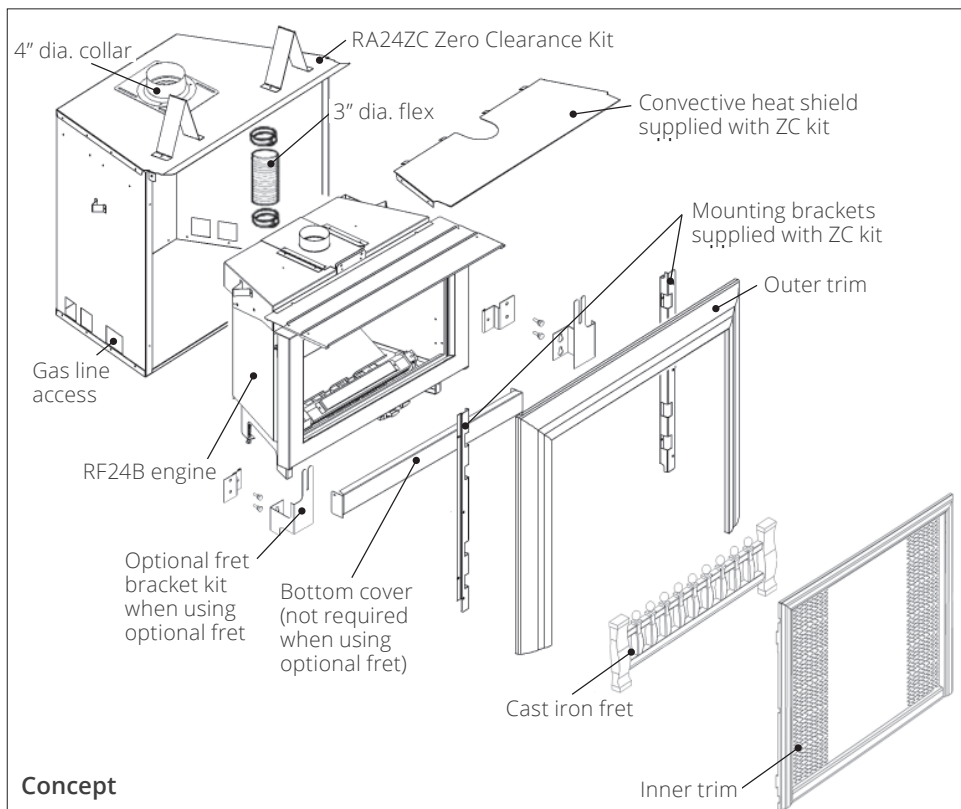
1/2

RA24ZC—Zero Clearance Kit, use with Retrofire BV

The RA24ZC Zero Clearance Kit with RF24 heater may be installed in new wood frame construction with type "B" venting. The zero clearance box may be roughed-in on its own and the RF24 heater inserted later.

The Zero Clearance Kit is also intended for applications where an existing gas or wood burning fireplace is being removed in whole or in part, without disturbing the surrounding wall finish. The minimum cavity for installing the Zero Clearance Kit is shown in the Framing diagram. Existing type "B" gas venting may be utilized provided the integrity is intact. Existing mantle clearances must conform to the chart as shown.

The heater and zero clearance kit are approved to mount directly on hard surface combustible flooring with no requirement for a non-combustible hearth.



Optional Frets

- RA24TB—Traditional Fret, black
- RA24CV—Contemporary Fret, vintage iron
- 1225VFB—Ventana Fret, black
- 758CCB—Clearview Cast Fret

Inner Front Trim Choices (one must be selected) (same perimeter size for all)

- 741SFB or 741SVI—Contemporary Front, black or vintage iron
- 743FVI—FenderFire Double Door Front
- 744FVI—FenderFire Single Door Front
- 745CFV—Clearview Front
- RA24DS—Draw Screen

Outer Trim Options

Note: Must cover 29" x 33" minimum opening in combustible wall

Custom trims may be used to replace or extend these options.

- 715CVI—Cast Surround
- 746/747—Three-Sided Trims
- 748/749—Four-Sided Trims
- 750OCP—Oversize Closure Plate
- 753—Oversize Trim Kit
- 756—Three-Sided Square Trim
- 757—Four-Sided Square Trim
- 763BPB—Backing Plate

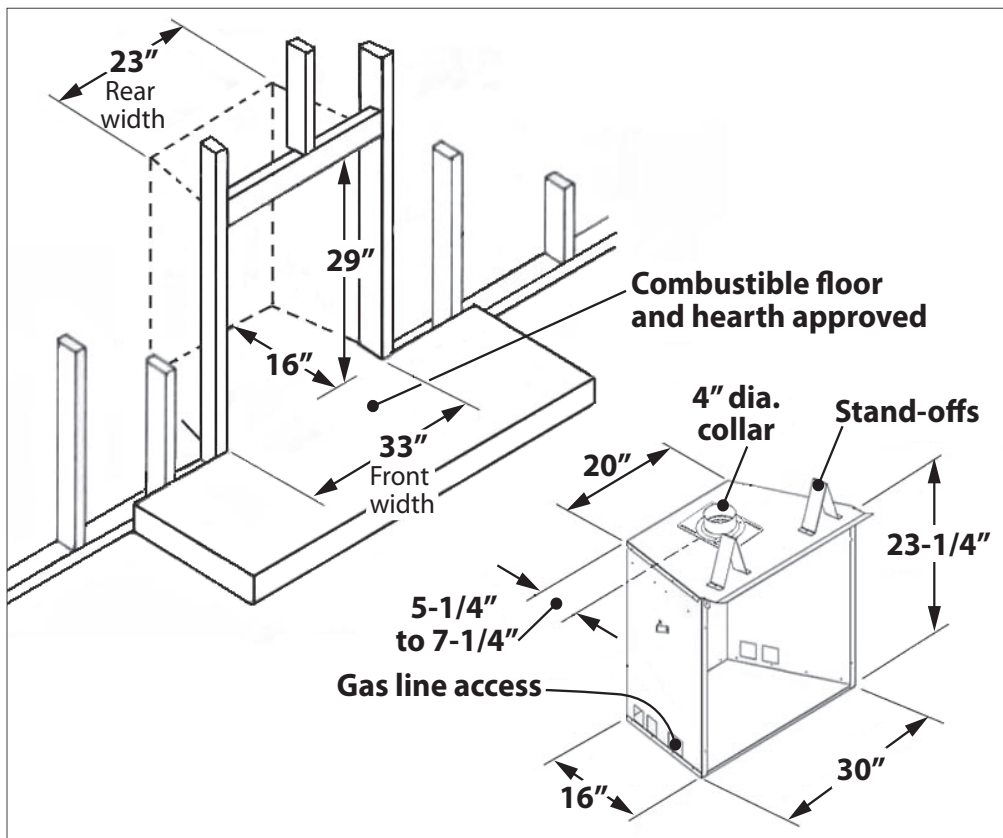
valor[®] Retrofire BV

Jan 2021

2/2

RA24ZC—Zero Clearance Kit, use with Retrofire BV

Framing Dimensions



Mantel Clearances

See trim's instructions manual for details on mantel clearances.

