

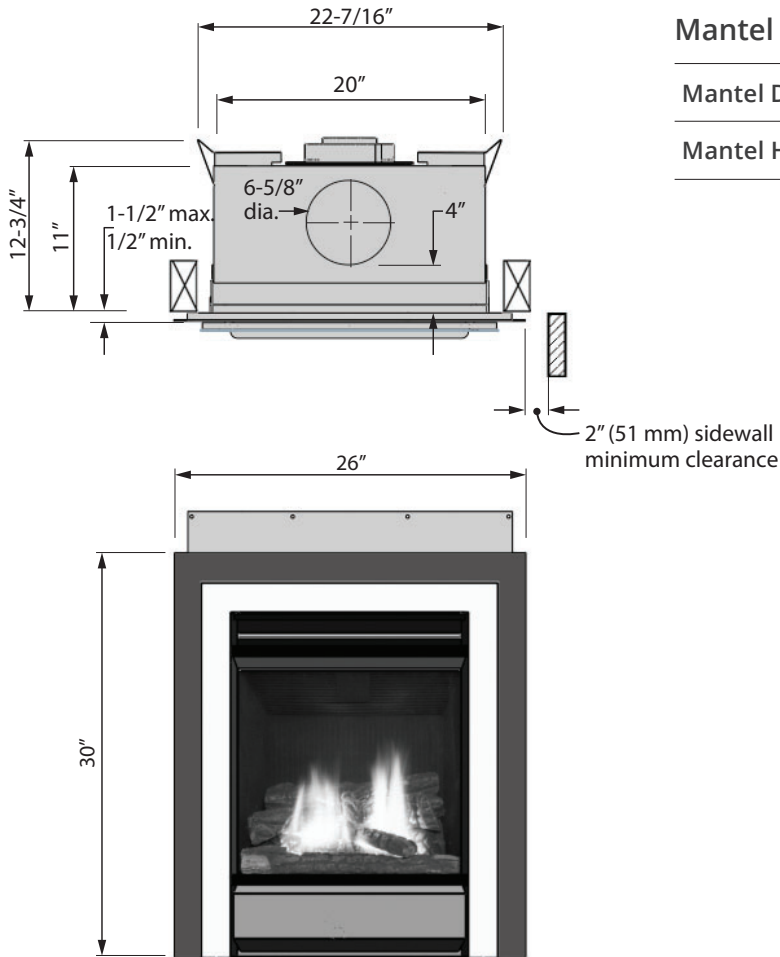
Valor® Portrait

Feb 2022

1/1

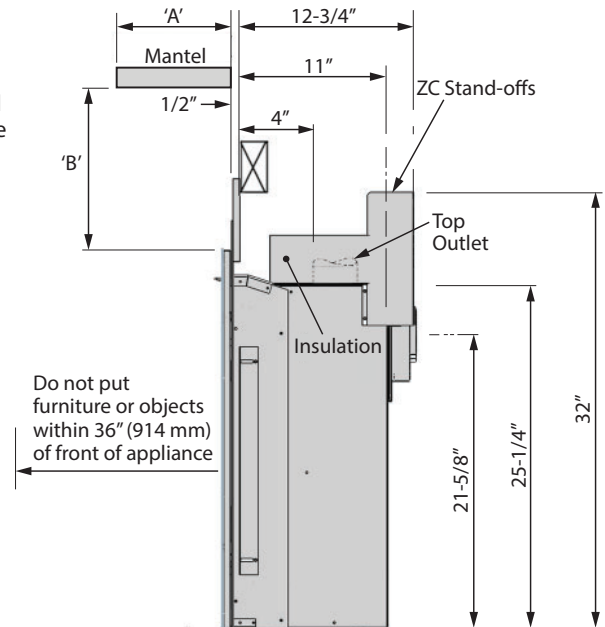
545 Clearview ZC / Dimensions & Clearances

Dimensions and Clearances



Mantel Clearances

Mantel Depth 'A'	0-6" [0-152 mm]	8" [203 mm]	10" [254 mm]	12" [305 mm]
Mantel Height 'B'	4" [102 mm]	8" [203 mm]	10" [254 mm]	12" [305 mm]



Corner dimensions

