

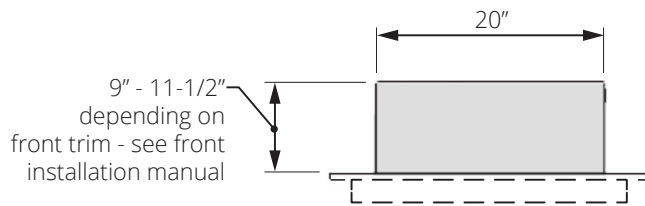
Valor[®] Portrait

Dec 2022

1/2

INSERT—Dimensions & Cavity

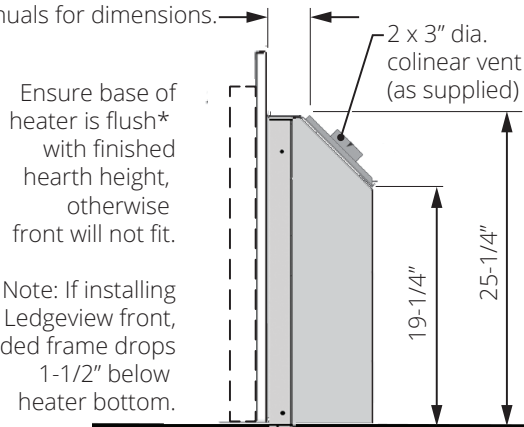
Dimensions



Attention

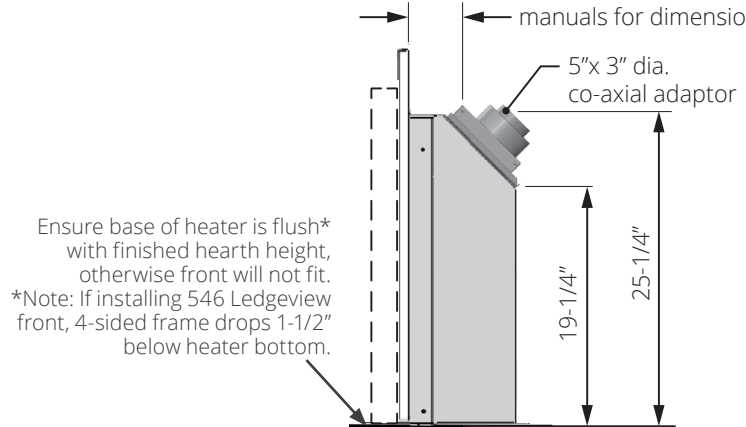
See below for minimum
cavity dimensions!

Varies with front trim.
See Front trims installation
manuals for dimensions.



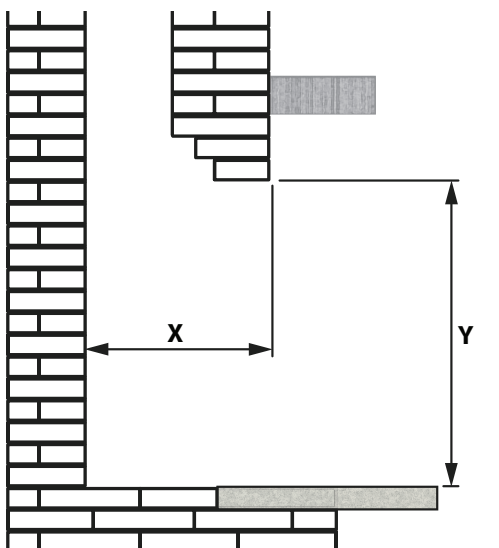
530 insert engine with standard
co-linear vent (as supplied)

Varies with front trim.
See Front trims installation
manuals for dimensions.



530 insert engine with optional
530CVA2 co-axial appliance adaptor

Cavity



Check that masonry step does not interfere with install dimensions
or vent pipe.

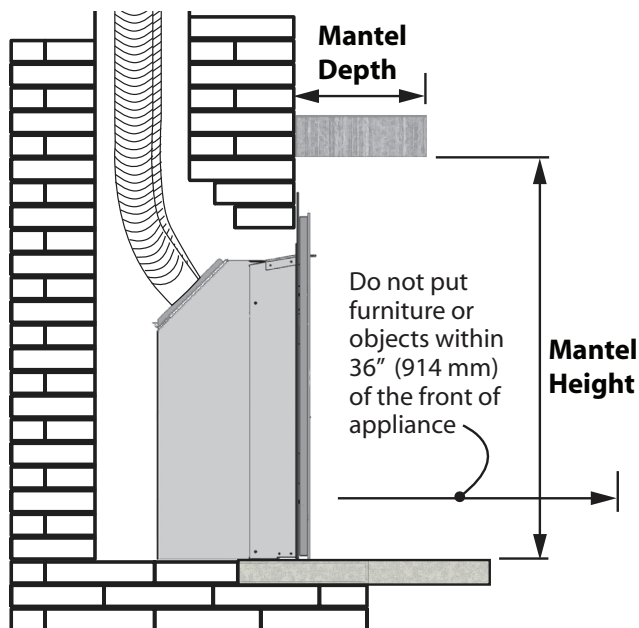
If mantel is combustible, see the following section for allowable
clearances.

Minimum Cavity Dimensions

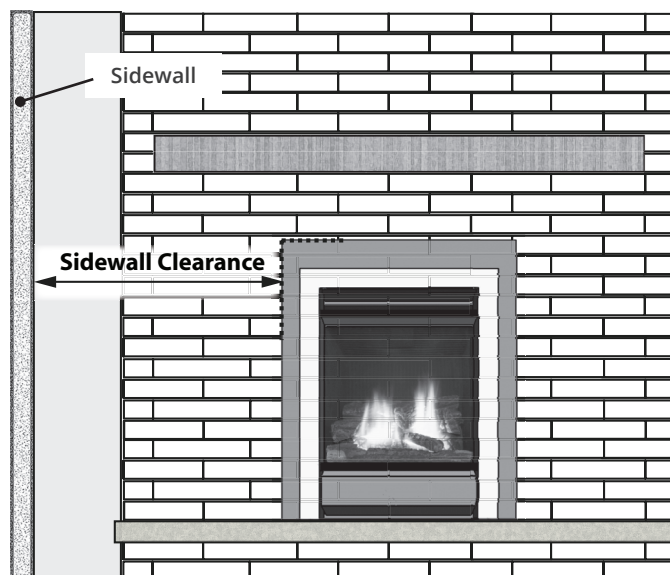
Depth (X)	9-11-1/2" [229-292 mm]—varies with front trim options
Height (Y)	25-1/2" [648 mm]—Note: using 546 Ledgeview front requires additional 1-1/2" [38 mm]
Width (not shown)	20-1/2" [521 mm]

INSERT—Clearances

Combustible Mantel—Left Side View



Sidewall Clearances



See Front trim installation manual for Sidewall Clearances.

Combustible Mantel Clearances

See Front trim installation manual.

Finishing Materials

Combustible materials: Materials made of or surfaced with wood, compressed paper, plant fibers, plastics, or other material that can ignite and burn, whether flame proofed or not, or plastered or unplastered.

Non-combustible materials: Material which will not ignite and burn. Such materials are those consisting entirely of steel, iron, brick, tile, concrete, slate, glass or plasters, or any combination thereof.

Materials that are reported as passing ASTM E 136, Standard Test Method for Behavior of Materials in a Vertical Tube Furnace at 750 °C

WARNING

Some materials or items, although safe, may discolor, shrink, warp, crack, peel, and so on because of the heat produced by the fireplace. Avoid placing candles, paintings, photos, and other items sensitive to heat around the fireplace.

WARNING

HOT HEARTH / FLOOR! The hearth or floor in front of the fireplace may become very hot when the fireplace heats. Do not use the hearth as a seat or shelf. Solid wood flooring in front of the fireplace (if allowed) may shrink during the heating season due to heat.