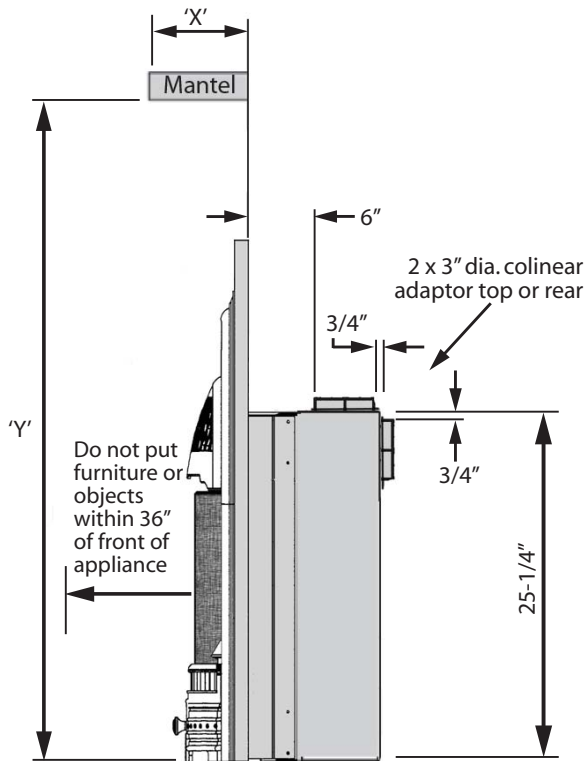


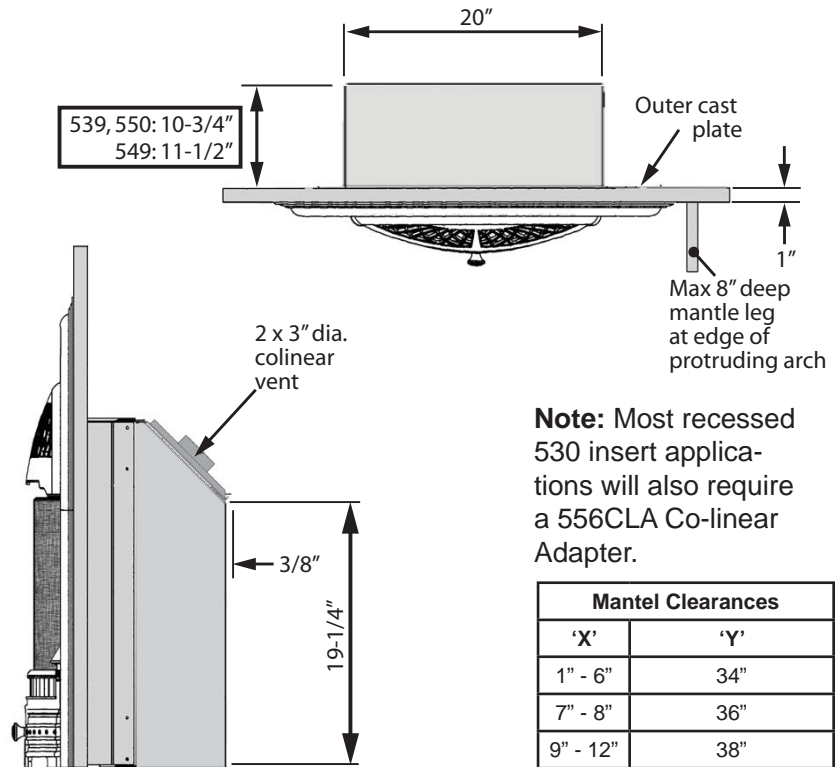
### Dimensions & Clearances

#### Insert dimensions for 2 engine configurations

—non-combustible installations ONLY (all Arches, 539 Windwor Arch shown here)



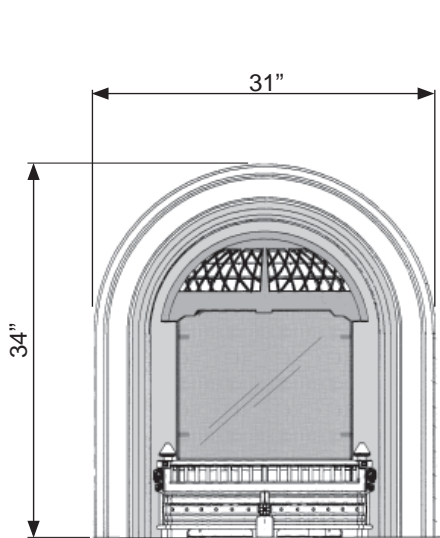
**530 engine with  
556CLA co-linear adaptor**



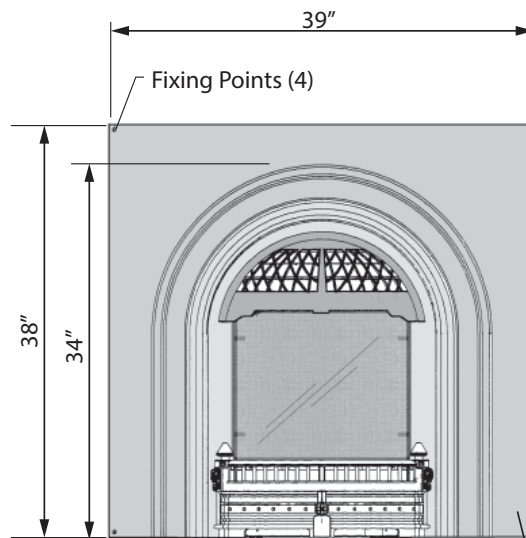
**530 insert engine with  
standard co-linear vent**

**Note:** Most recessed 530 insert applications will also require a 556CLA Co-linear Adapter.

Mantel Clearances	
'X'	'Y'
1" - 6"	34"
7" - 8"	36"
9" - 12"	38"
12" +	38" + 1" for every inch beyond 12"



**549 Arches**



**539 and 550 Arches**