

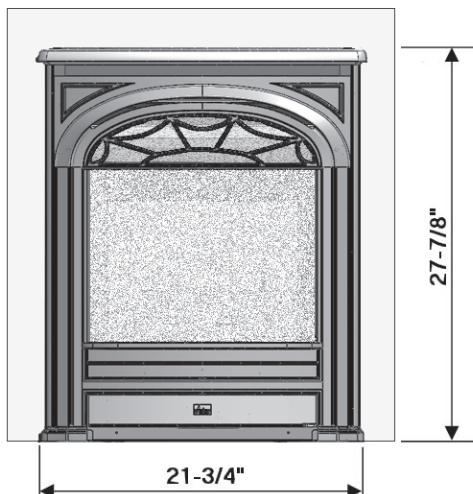
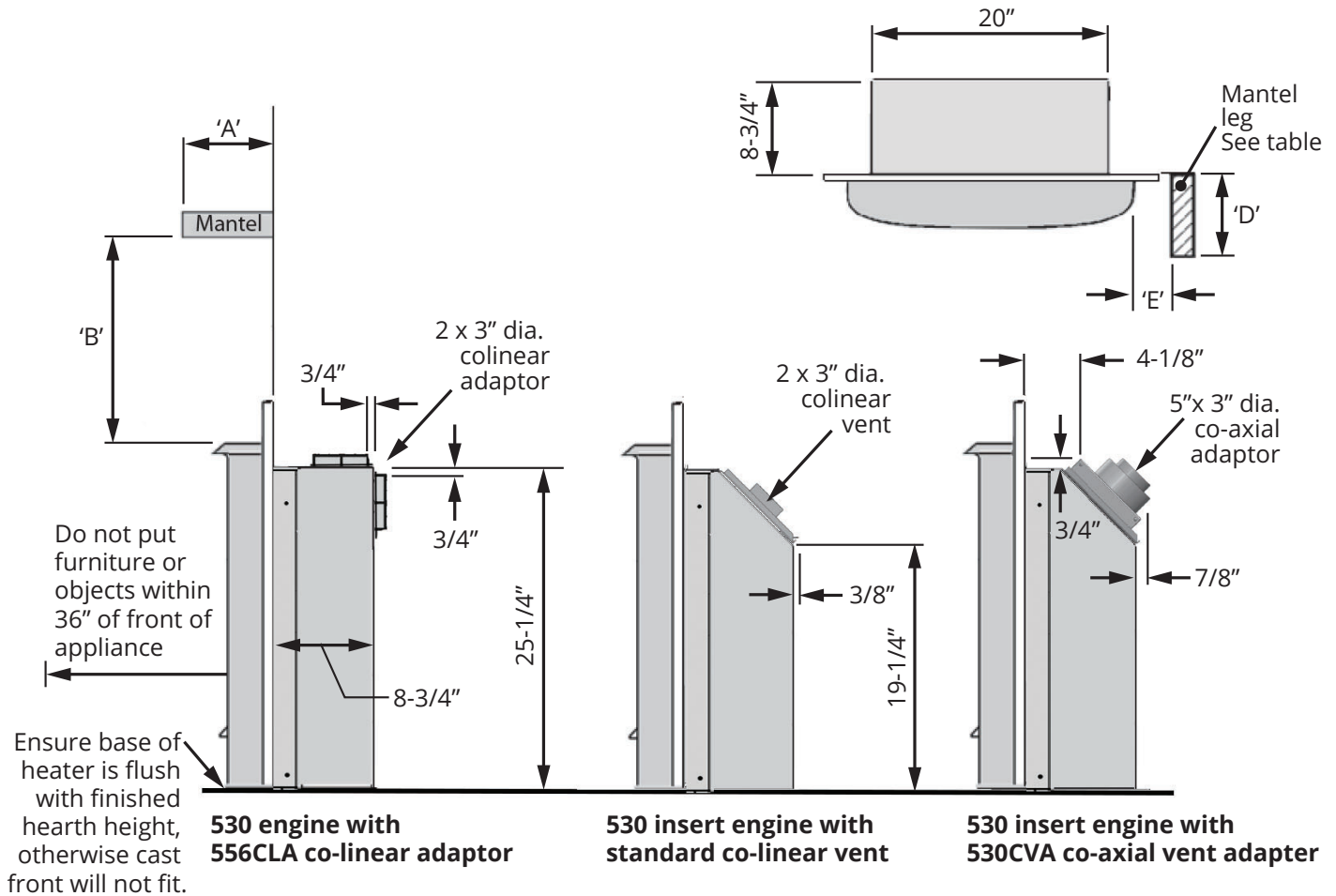
Valor® Portrait

Dec 2022

1/2

536 President Insert / Dimensions & Clearances

Dimensions & Clearances— Insert dimensions for 3 engine configurations
—non-combustible installations ONLY



| Mantel depth "A" | Min. clearance "B" |
|---------------------------|--|
| Up to 7" | 4" |
| Above 7" up to 8" | 5" |
| Above 8" up to 9" | 7" |
| Above 9" up to 10" | 8" |
| Above 10" up to 12" | 9" |
| More than 12" | 9"+extra 1" for every 1" depth above 12" |
| Mantel leg projection "D" | Min. clearance from appliance side "E" |
| Up to 8" | 2" |
| More than 8" | 6" |

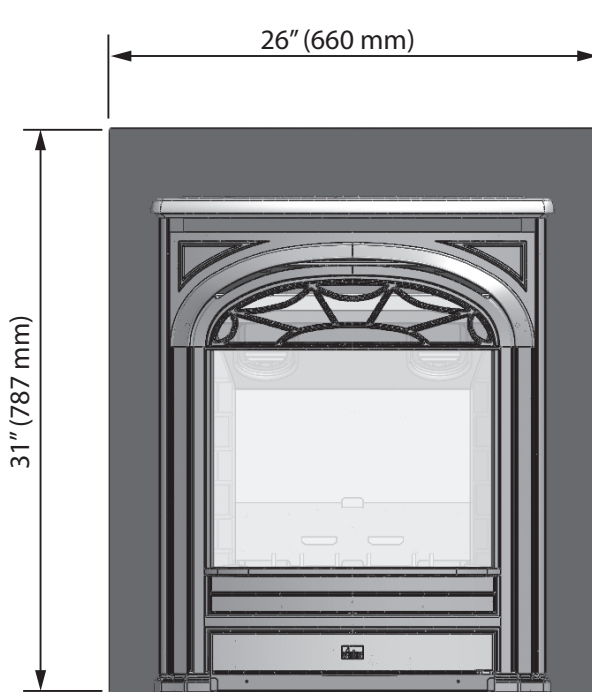
Valor[®] Portrait

Dec 2022

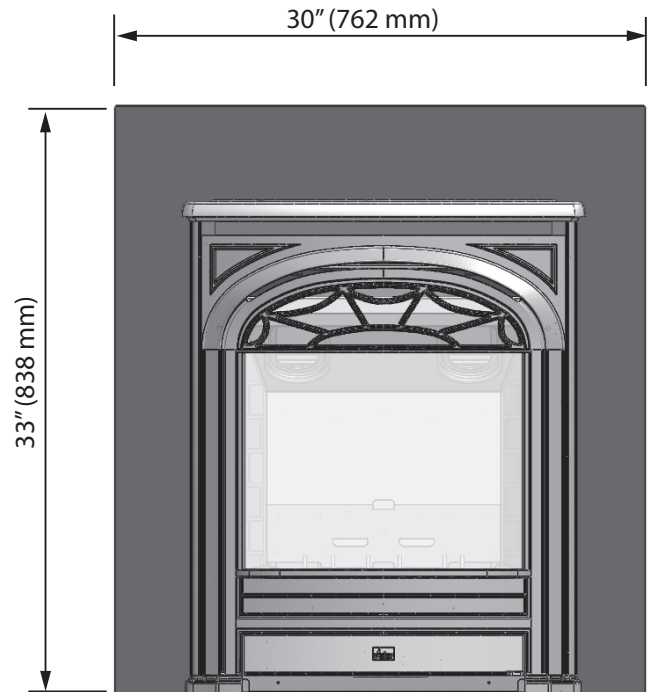
2/2

536 President Insert / Dimensions & Clearances

Dimensions—582CPB or 583CPB Closure Plate (required)



582CPB Closure Plate



583CPB Closure Plate