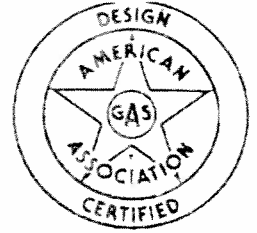




Valor Legend stove



Model 936RTN FREESTANDING DIRECT VENT WALL FURNACE WITH REAR VENT

For use with Natural Gas

WARNING: If the information in this manual is not followed exactly, a fire or explosion may result causing property damage, personal injury or loss of life

- Do not store or use gasoline or other flammable vapors and liquids in the vicinity of this or any other appliance.
- **WHAT TO DO IF YOU SMELL GAS**
 - Do not try to light any appliance.
 - Do not touch any electrical switch; do not use any phone in your building.
 - Immediately call your gas supplier from a neighbor's phone. Follow the gas supplier's instructions.
 - If you cannot reach your gas supplier, call the fire department.
- Installation and service must be performed by a qualified installer, service agency or the gas supplier.

INSTALLATION AND OWNER'S MANUAL

*Please read this manual
before installing and
operating the stove.*

This appliance is a domestic room heating appliance. It must not be used for any other purpose such as drying clothes etc.

Vous pourrez vous procurer un exemplaire en langue Française de cette brochure chez votre concessionnaire.

600A415/01

	Page
Safety information.....	3
Installation options.....	4
General data.....	4
Location in room.....	4
Vent location.....	4
Supply gas.....	7
Pack contents.....	7
Installing	
• Appliance preparation.....	
• Vent opening preparation.....	
• Gas supply installation.....	
• Pedestal installation.....	
• Vent unit installation.....	
• Gas line connection to appliance.....	
• Gas system check.....	
• Pressure relief system check.....	
• Aeration setting check.....	
• Ceramic fuel bed assembly.....	
• Controls operation check.....	
• Aeration adjustment.....	
• Facia installation.....	
• Final installation check.....	13
Owner's information	
• General operating procedure.....	14
• Lighting with a long match.....	14
• Cleaning.....	14
• Visual checks.....	14
• Servicing.....	14
• Lighting instructions.....	15

SAFETY INFORMATION

Due to high temperatures, the appliance should be located out of traffic and away from furniture and draperies.

Children and adults should be alerted to the hazards of high surface temperatures and should stay away to avoid burns or clothing ignition.

Young children should be carefully supervised when they are in the same room as the appliance.

Clothing or other flammable material should not be placed on or near the appliance.

The glass and front frame must be put back in place prior to operating the appliance if they have been removed for servicing or cleaning.

Never operate with broken or damaged window glass.

If the window is broken or damaged in any way, it must be replaced as a whole unit. Remove the window as described in the appliance preparation section of this manual. Search inside and adjacent to the appliance for any glass fragment. Only the authorized Vaio replacement unit listed in the repair parts booklet must be fitted - never use substitutes. Contact your dealer quoting the appliance model number.

This appliance should be installed and repaired by a qualified service person.

The appliance should be inspected before use and at least annually by a professional service person. More frequent cleaning may be required due to excessive lint from carpeting, bedding material, etc. It is imperative that control compartments, burners and circulating air passageways of the appliance are kept clean.

Keep curtains, clothing, furniture and other flammable materials at least 36ins (90cm) from all parts of the appliance and its vent system.

Keep the appliance area well clear and free from combustible materials, gasoline and other flammable vapors and liquids.

Never attempt to burn paper or any other material in the appliance.

Keep the grill at back of the pedestal clear to prevent obstruction of air flow to the appliance.

INTERRUPTION OF GAS SUPPLY; If ever there is a break in the flow of gas through the supply system to the appliance (For example, for repair work in the supply system either inside or outside your property), we recommend that the window unit is removed before lighting the pilot. This will allow any air which has become trapped in the supply piping to escape without building up in the firebox before the pilot will light. Wait until the pilot flame is stable before refitting the window but refit it before turning the control to any position other than pilot ignition. Details of how to remove the window are given in the preparation for installation section of this manual.

The vent terminal on the outside wall must be kept free from obstructions. The terminal is hot during operation and requires a guard (Part #235) if it is accessible to any person. No objects should be placed within 2 feet (60cm) of the vent terminal.

During extreme weather conditions ensure that the vent outlet is free from ice and snow before attempting to light.

Do not use this appliance if any part has been under water. Immediately call a qualified service technician to inspect the appliance and to replace any part of the control system and any gas control which has been under water.

NOTE

When operating your new stove for the first time, some vapors may be released which may cause a slight odor and could possibly set off any smoke detection alarms in the immediate vicinity. These vapors are quite normal on new appliances. They are totally harmless and will disappear after a few hours use.

1.0 This appliance is available in the following configurations:
1.0.1 Circulating fan operated by a variable speed controller, it is designed to boost the natural convection process through the stove. It may be fitted before the stove is installed or retrofitted at a later date.

2. GENERAL

This appliance is certified by International Approval Services for use in Canada and the USA. The appliance is for installation directly venting through an outside wall and for use with natural gas. The installation must conform with local codes or, in the absence of local codes, the current CAN/CGA-B149.1 installation code in Canada or the current National Fuel Gas Code, ANSI Z223.1 in the USA. Only qualified licensed or trained personnel shall install the appliance.

2.1 Rating plate
 The rating plate is located inside the control compartment door.

2.2 Rates (Btu/h)

	Max.	Min.
Input	20,000	7,000
Output	15,700	5110

2.3 Pressures (in. w.c.)

	SUPPLY- Upstream of regulator	MANIFOLD- Tapping on thermostat (appliance full)
Max.	10.5	3.7
Min.	5.0	3.3

2.4 Orifice data
 For verification only. Do not attempt to drill or otherwise modify appliance input.

	Type	No. of holes	Diameter (ins)
Pilot	AMAL 40	1	0.022
Front	CAT 18-300	7	0.027
Rear	CAT 18-300	7	0.027

LOCATION IN THE ROOM

Combustible materials inside the room must not be closer than the dimensions shown in figure 1. The floor construction should allow the stove to be screwed to the floor. If the stove is to be installed directly on any combustible material other than wood flooring, it must be installed on a metal or wood panel extending the full width and depth of the appliance.

4. VENT LOCATION

- 4.1 The vent terminal must be located on an outside wall.
- 4.2 The vent unit is suitable for wall thicknesses between 3" and 4" and should not extend beyond the maximum.
- 4.3 The vent clearance required in the wall is 8³/₈" diameter.
- 4.4 The center of the hole must be above the bottom of the appliance.
- 4.5 Do not attempt to use any vent material other than that supplied with this appliance.
- 4.7 This direct vent appliance is designed to operate when an undisturbed air flow hits the outside vent terminal from any direction. The minimum clearances from this terminal which must be maintained are shown in figure 2. Any reduction in these clearances could result in a disruption of the air flow or a safety hazard. Local codes regulations may require greater clearances.
- 4.8 The terminal, when installed with the vent shield tube and wall plates, is suitable for mounting on wood or vinyl siding without requiring additional shielding.
- 4.9 The slots in the vent terminal must not be recessed into a wall or siding.
- 4.10 The vent terminal should be positioned where it not be covered by any snowdrifts.
- 4.11 **Warning:** If the outside vent terminal is located where it will be accessible to any person, a gas cap must be fitted over the terminal to prevent damage and to prevent it being touched. The vent terminal becomes very hot when the appliance is in use and can cause burns. A special guard designed for this appliance is available from your supplier - Ask for Valor part #235 (See figure 3).

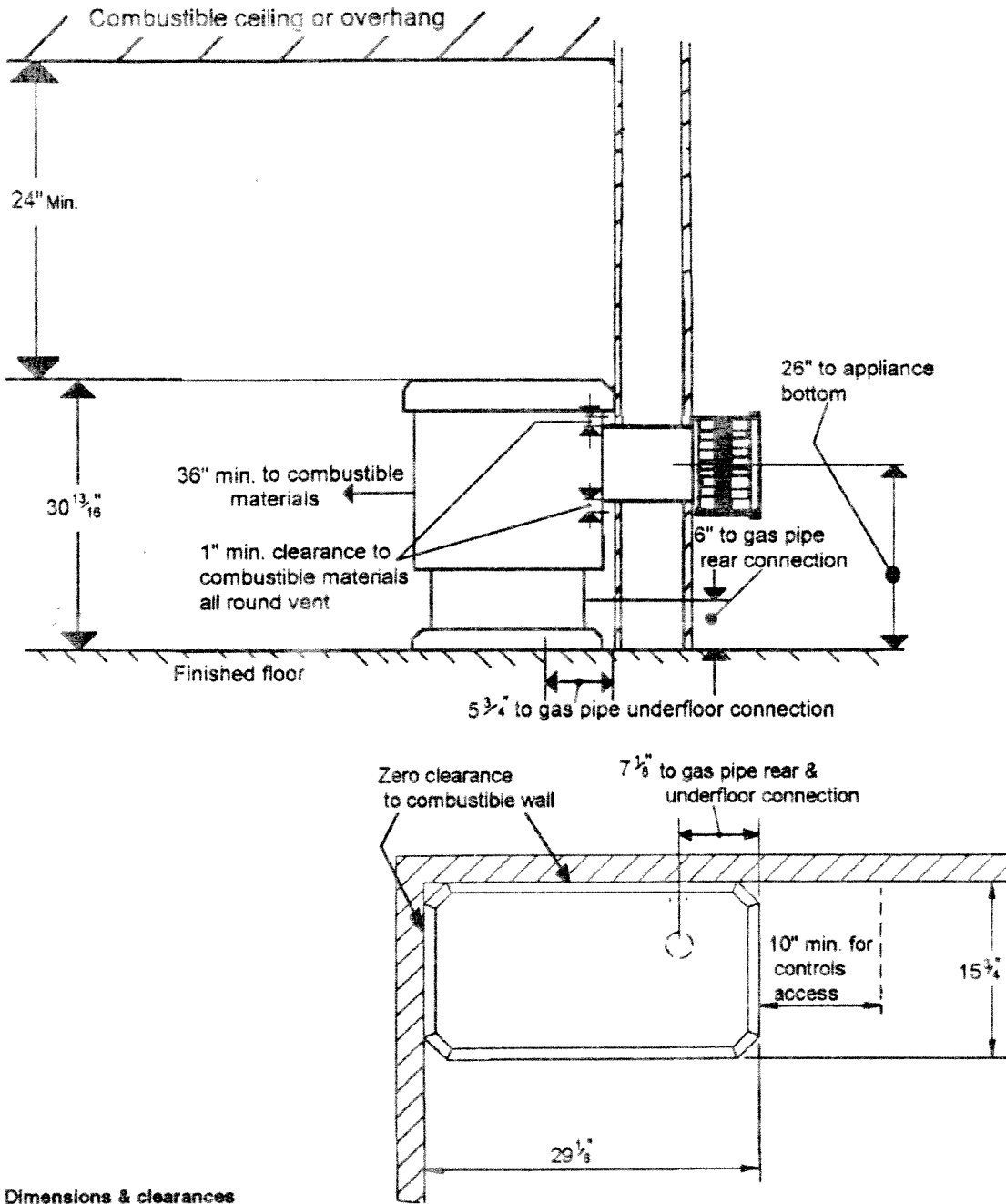


Fig.1 Dimensions & clearances

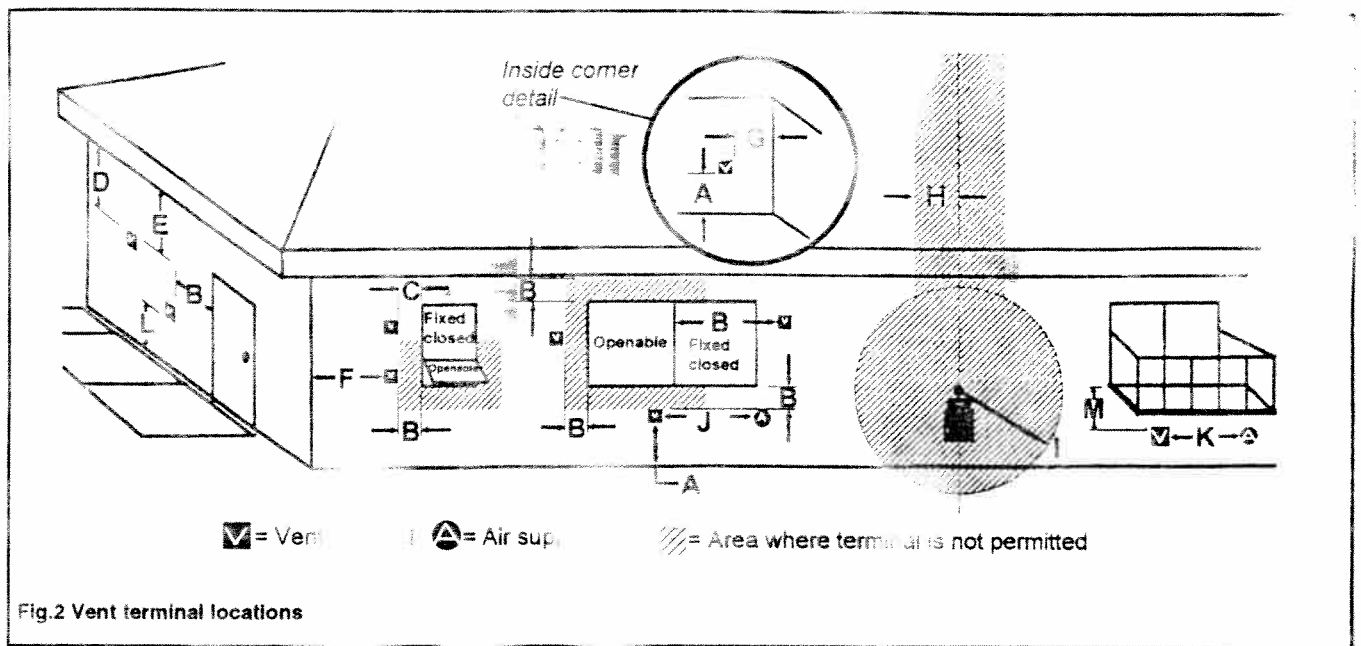


Fig.2 Vent terminal locations

KEY	VENT TERMINAL LOCATIONS - MINIMUM DISTANCES <i>figure 2</i>	MINIMUM CLEARANCE	
		Ins	Cms
A	Clearance above grade, veranda, porch, deck or canopy	12	30
B	Clearance to window or door that may be opened	12	30
C	Clearance to permanently closed window (recommended to prevent condensation on window)	12	30
D	Vertical distance to ventilated soffit located above the terminal within a horizontal distance 2 feet (60cm)	18	46
E	Clearance to unventilated soffit	12	30
F	Clearance to outside corner	12	30
G	Clearance to inside corner	12	30
H	Horizontal clearance to center-line of meter/regulator assembly located below the terminal	36	90
I	Clearance to gas regulator vent outlet		180
J	Clearance to mechanical air supply inlet to the building or the combustion unit to any other appliance		30
K	Clearance to mechanical air supply inlet		180
L	Clearance to paved sidewalk or a paved driveway located on public property. <i>Note: A vent must not terminate directly above a sidewalk or paved driveway which is located between two single family dwellings and serves both dwellings.</i>	84	210
M	Clearance under a verandah, porch, deck or balcony	12	30

Note: Local codes and regulations may require different clearances.

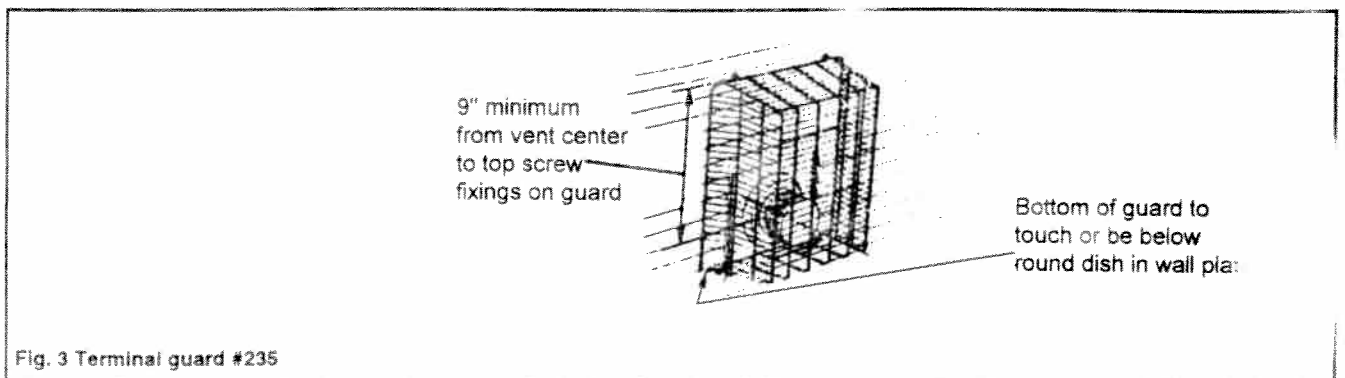


Fig. 3 Terminal guard #235

4. SUPPLY GAS

This appliance is for use only with natural gas. The supply pressure at the appliance inlet should be not less than 5" w.c. and not more than 10.5" w.c. The supply connection is $\frac{3}{8}$ " NPT. Openings for the gas supply are provided in the pedestal for rear or underfloor connection (see figure 1).

5. PACK CONTENTS

The complete appliance is contained in three packs.

Pack 1 - Main appliance unit contains:-

- 1 Main appliance fitted with window.
- 3 Ceramic logs.
- 2 Ceramic firebox front bars.
- 1 Pair ceramic firebox side walls.
- 1 Ceramic firebox back wall.
- 2 Wall plates.
- 1 Gas supply inlet pipe.
- 1 Gas supply inlet elbow.
- 8 Wall plugs (for wall plates).
- 8 Wood screws (for wall plates).

Pack 2 - Vent unit contains:-

- 1 Vent terminal unit.
- 1 Styrofoam support (for vent tube cutting).
- 2 #6 tapping screws (for vent securing).
- 1 Outer vent shield.
- 4 #10 nuts & screws (for outer vent shield).

Pack 3 - Pedestal and fascia unit contains:-

- 1 Pedestal unit.
- 1 Front fascia unit.
- 1 Ashlip unit.
- 4 #8 tapping screws (for fixing ashlip).
- 4 Machine screws (for fixing pedestal to main appliance).
- 2 Wood screws (for floor fixing).
- 2 Plugs (for floor fixing).

Take care when removing the contents from the packaging to prevent damage. Check that all the contents are in the packs and are undamaged.

6. APPLIANCE PREPARATION

6.1 Remove the window & logs (see figure 4)

- 6.1.1 Detach the window unit by removing the 8 knurled screws ("A") and knurled nut ("B") holding the sides and bottom of the window frame.
- 6.1.2 Lift the window unit up and forwards to unhook the top. Put the window in a safe place.
- 6.1.3 Take the ceramic logs and ceramic front bars out of the firebox and store safely.

6.2 Check ignition electrode spark (see figure 5)

The pilot burner and electrode are at the right side of the firebox.

Open the control access door. Turn the gas control knob (the right hand knob) counterclockwise to "Ign". While turning pilot ignition sparks should be activated twice. Check that the sparks are produced at the pilot burner.

If no sparks are produced, check that the wiring is secure and that the spark gap is 3.5 ± 0.5 mm.

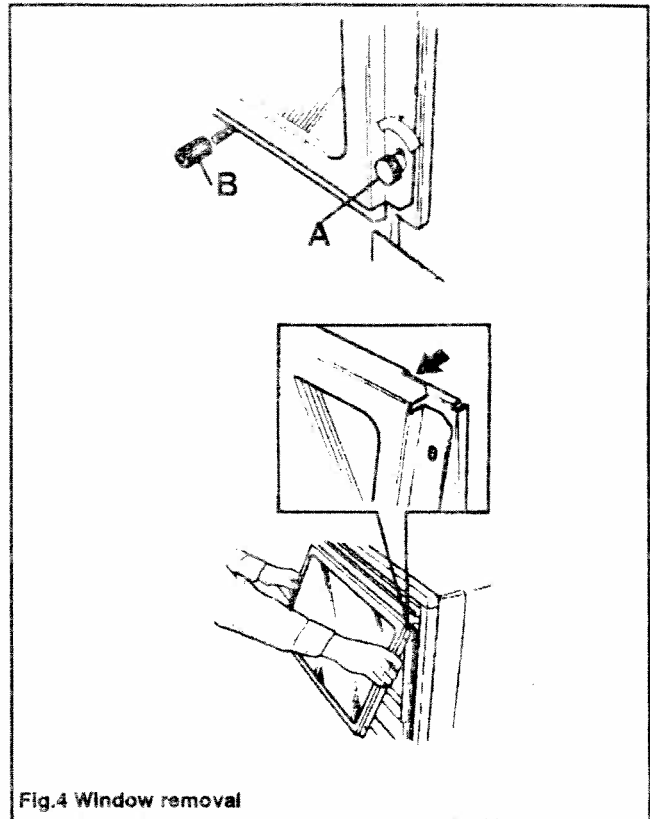


Fig.4 Window removal

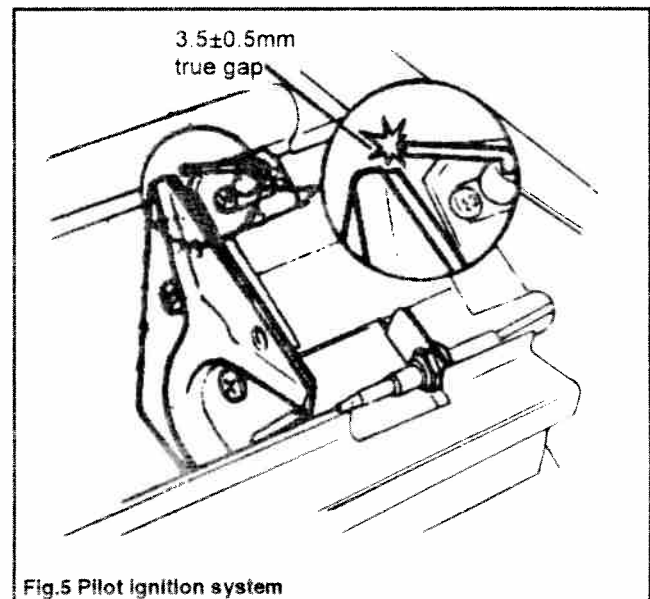


Fig.5 Pilot Ignition system

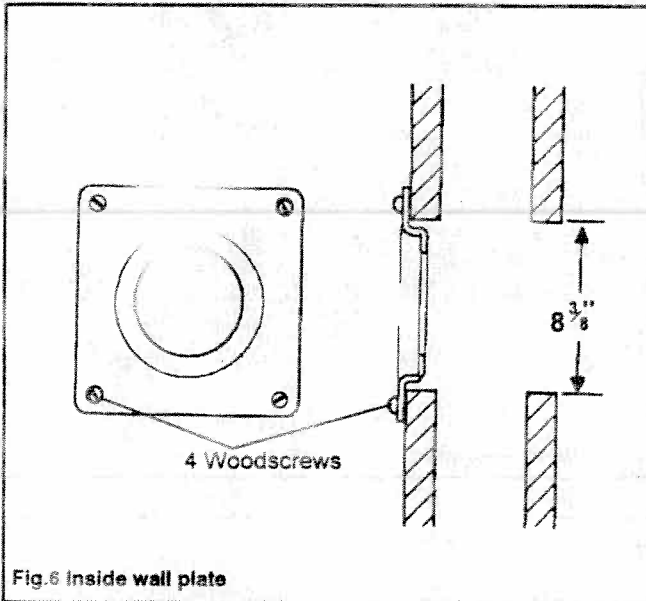
7. VENT OPENING PREPARATION

Important:

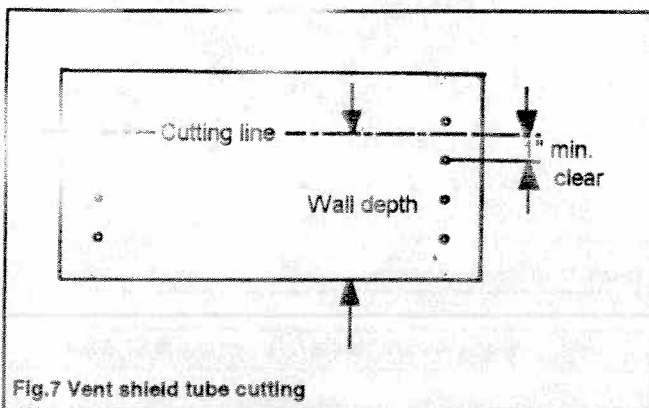
This appliance is supplied with a vent unit requiring the center of the vent hole to be 26" above the bottom of the appliance. Before cutting the vent opening in the wall, make sure that the installed distance to the bottom of the appliance is known. Once the vent opening in the wall is cut it will not be possible to alter the position of the appliance without re-cutting the wall.

- 7.1 Place dust sheets on the floor and over any furnishings etc. in the vicinity.

- 7.2 Mark the center of the vent hole in the wall.
- 7.3 Cut $8\frac{3}{8}$ " diameter vent hole through the wall making sure that it is straight and level.
- 7.4 Place one of the wall plates against inside face of the wall with the dished projection seated inside the hole in the wall.
- 7.5 Mark the wall plate fixing holes. Remove the plate.
- 7.6 Drill the plate fixing holes in the wall. Insert wall plugs if necessary.
- 7.7 Replace the plate in the wall. Fix the plate to the wall with the four screws provided.

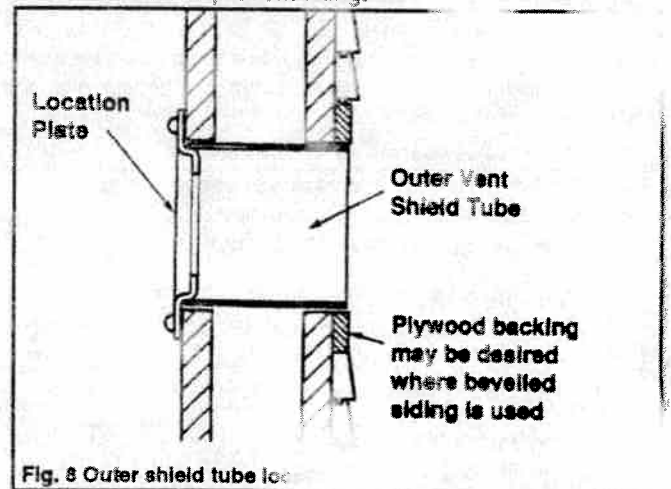


- 7.8 Measure the total wall depth from its outside surface to the finished surface in the room.
- 7.9 Flatten the vent shield tube. The tube is supplied coiled. Measure the vent terminal unit. Cut the tube exactly to the wall depth. Make sure that the cutting is at least 1" away from the nearest bolt hole (see figure 7).



- 7.10 Form the shield into a tube with the holes aligned. Fasten using the #10 bolts and nuts provided with the bolt heads outside.
- 7.11 Insert the shield tube into the wall from the outside wall. Push the tube firmly in so that it locates fully over the dished diameter of the inside wall plate. Trim the tube if necessary (see figure 8). The outside end of the tube can be temporarily held in place by

inserting wedges of cardboard, wood etc. round the wall hole to prevent tilting.



8. GAS SUPPLY INSTALLATION

- 8.1 Route the gas supply line to the appliance inlet connection point (see figure 11).
Note: Pressure testing the line for leaks may need to be performed before the line is connected to the appliance - see section 12.
- 8.2 Gas connection to the appliance is $3/8$ "NPT.
- 8.3 Use only new black iron or steel pipes or copper tubing if acceptable - check local codes. *Note that in USA copper tubing must be internally tinned for protection against sulfur compounds.*
- 8.4 Unions in gas lines should be of ground joint type.
- 8.5 The gas supply line must be sized and installed to provide a supply of gas sufficient to meet the maximum demand of the appliance without undue loss of pressure.
- 8.6 Sealants used must be resistant to the action of all gas constituents including LP gas. Sealants should be applied lightly to male threads to ensure excess sealant does not enter gas lines.
- 8.7 The supply line should include a manual shut-off valve to allow the appliance to be disconnected for servicing.
- 8.8 A plugged $1/8$ "NPT tapping must be installed in the line. The tapping must be accessible for test gauge connection and be immediately upstream of the gas supply connection to the appliance.

9. PEDESTAL INSTALLATION

- 9.1 Detach the pedestal front panel by removing two screws.
- 9.2 Place the pedestal in position (see figure 9). The bottom rear of the pedestal must be at least $1/2$ " from the back wall to allow room for the stove overhang.
- 9.3 Mark the floor with the floor fixing positions through the holes in the pedestal (see figure 9).
- 9.4 Remove the pedestal. Drill the floor at the marked positions and fit plugs if necessary.
- 9.5 For easier fixing, fit the two woodscrews supplied into the floor partially leaving a space between the

screw heads and the floor. The pedestal has two "keyhole" openings in its bottom channels. Place the pedestal back in position by dropping it to locate the screws in the wide holes of the keyholes and then sliding the pedestal back to locate the screws in the narrow slots of the keyholes. Tighten the screws.

9.6 Fit the inlet elbow to the supply pipe.

Note: If the optional circulating fan kit is intended to be installed, it will be easiest to fit it at this stage

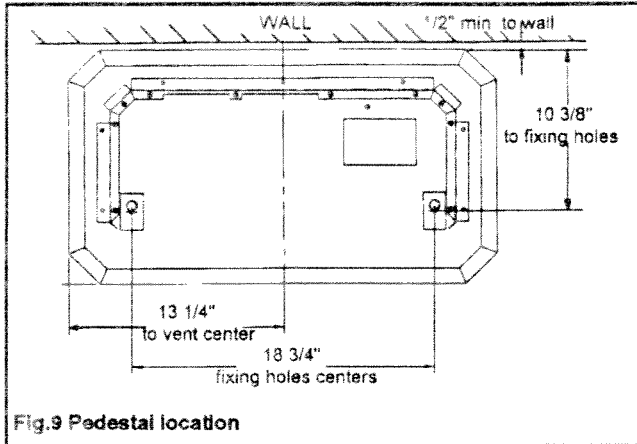


Fig.9 Pedestal location

10. VENT UNIT INSTALLATION

- 10.1 Mark the vent terminal at the length of **total wall depth plus 4 5/16"** measured from the **outside end** of the vent cap. If the back of the appliance is not going to touch the wall, also **add the gap distance**. Insert the Styrofoam support ring and push it as close to the marked position as possible. Cut off the vent tubes squarely at the marked position. **Make sure that all Styrofoam is removed from the vent unit after cutting.**
- 10.2 Fit the vent terminal unit fully over the appliance inlet and outlet collars pushing on firmly. **Make sure that the seam on the outer tube is not at the bottom.**
- 10.3 Drill through the vent terminal outer tube and the appliance outer collar at each side and within 3/4" of the appliance back face to take #6 tapping screws. **Make sure that the drill does not penetrate the inner vent tube and inner collar** (see figure 10).
- 10.4 Secure the vent terminal to the appliance collars with the two #6 screws supplied (see figure 10).
- 10.5 Lift the main appliance. Insert the vent terminal through the cavity and slide the appliance to its proper location on top of the pedestal. There are two holes at each side of the appliance for screwing it to the pedestal. Make sure that these holes are aligned.
- 10.6 Secure the main unit to the pedestal with the 4 screws.

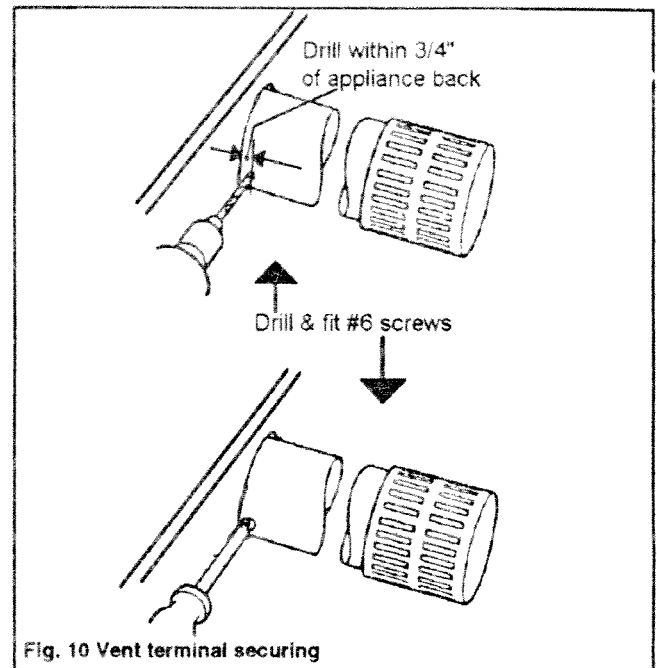


Fig. 10 Vent terminal securing

- 10.7 Place the remaining wall plate over the outside wall end of the terminal with the dished projection facing inside. Push the plate up to the wall so that the dished projection locates inside the vent shield tube (see figure 11). Remove any temporary wedges. If possible while still maintaining a sound connection to the appliance, slope the terminal very slightly down towards the outside so that any rain will run away from the appliance. **The terminal should never slope down into the room. This could cause water to accumulate in the appliance.** Mark the wall plate fixing holes on the wall. Remove the plate.
- 10.8 Drill the fixing holes in the wall and insert plugs if necessary.
- 10.9 Replace the wall plate locating it firmly inside the shield tube. Make sure that the slots in the terminal end cap are outside the wall plate (see figure 11).
- 10.10 Line up the screw holes and start the mounting screws. Apply a clear silicone rubber sealant under the edges of the wall plate and tighten the screws. Apply a bead of silicone sealant around the vent tube where it exits the wall plate. (see figure 11).

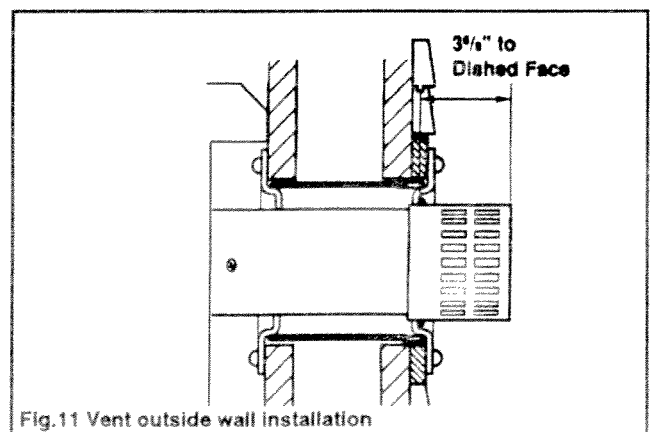


Fig.11 Vent outside wall installation

11. GAS LINE CONNECTION

- 11.1 Open the control panel door.
- 11.2 Push in the two control knobs.
- 11.3 Detach the control cover panel (see figure 12):-
 - Remove three screws.
 - Lift the panel up.
 - At the bottom front corner of the panel forward and out to clear the case and then lift clear.

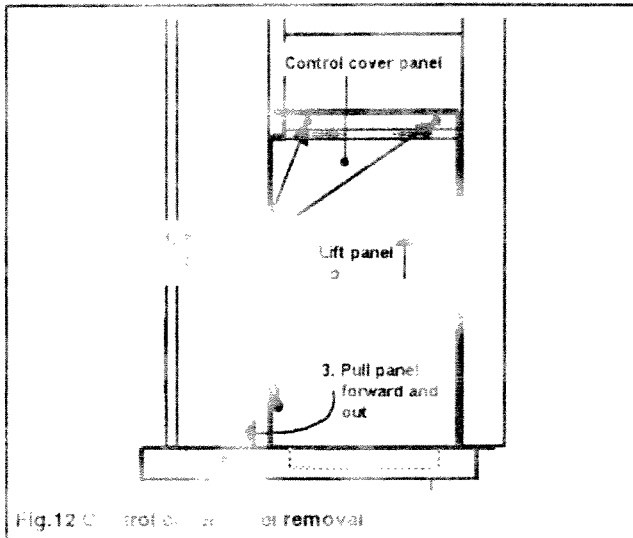


Fig.12 Control cover panel removal

- 11.4 Couple the gas inlet pipe to the connector below the regulator (see figure 13).

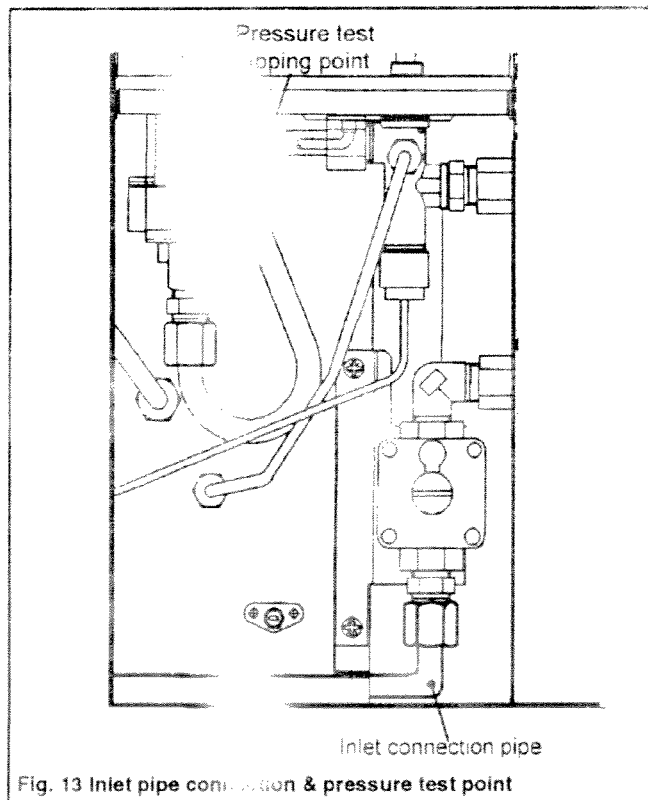


Fig. 13 Inlet pipe connection & pressure test point

- 11.5 Connect the other end of the inlet pipe to the elbow attached to the supply line.

12. SYSTEM CHECK

- 12.1 Pressure test the supply for leaks.
 - The appliance and individual shut-off valves must be disconnected from the gas supply system during any pressure testing of the system at test pressures in excess of 1/2 psig (3.5kPa).
 - The appliance must be isolated from the gas supply piping system by closing its individual manual shut-off valve during any pressure testing of the gas supply piping system at test pressures equal to or less than 1/2 psig (3.5kPa).
 - Failure to either disconnect or isolate the appliance during pressure testing may result in regulator or valve damage. Consult your dealer in this case.
- 12.2 The appliance must be set to give the correct input of natural gas. For correct adjustment, the gas supply pressure to the appliance inlet must be a minimum of 5" w.c. The maximum inlet gas supply pressure is 10.5" w.c.
- 12.3 The burner manifold pressure is controlled by a built-in non-adjustable regulator. The correct pressure range is shown in the table in section 2 of this manual. The manifold pressure should be checked at the pressure test point which is located on the thermostat unit (see figure 13). The pressure check should be made with the appliance burning, the gas control set at "On" and the thermostat control set at "Full". (Temporarily refit the control knobs for checking).
- 12.4 All piping and connections must be tested for leaks after installation or servicing. All leaks must be corrected immediately.

When testing for leaks:

 - Make sure that the gas control knob is at the "Off" position.
 - Open the manual shut-off valve.
 - Test for leaks by applying a liquid detergent soap solution to all joints. Bubbles formed indicate a gas leak. **Never use an open flame to check for leaks.**
 - Correct any leak detected immediately.

13. PRESSURE RELIEF SYSTEM CHECK

The appliance is fitted with a pressure relief system. Its purpose is to allow the safe release of pressure in the unlikely event of a build up of gas in the fire box before ignition takes place. Relief is achieved by the gas pressure pushing open the two spring loaded plates under the fire box below the front burner. This allows some gas to escape safely. The plates will then return to their closed position (see figure 14).

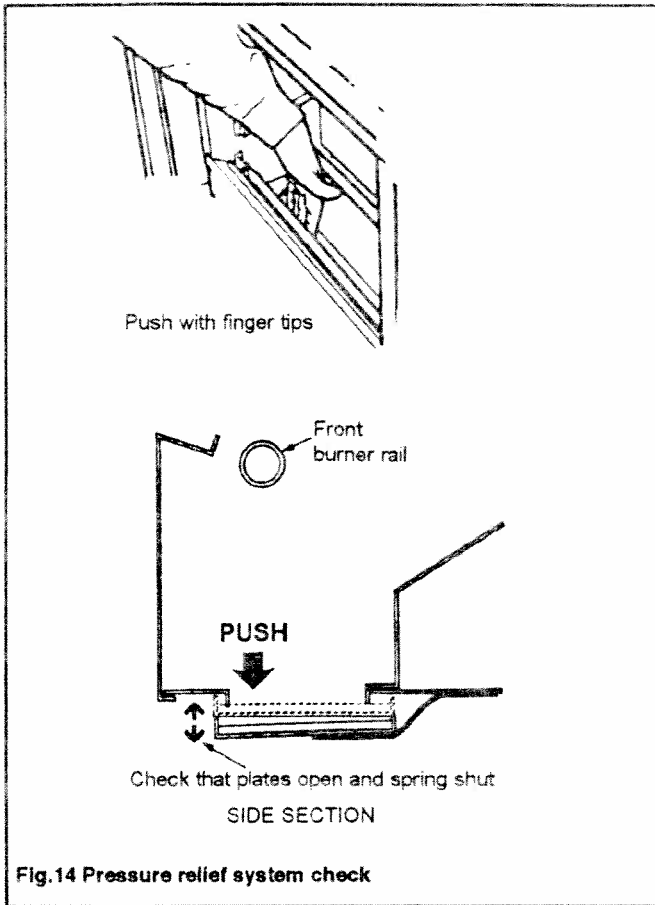


Fig.14 Pressure relief system check

14. AERATION SETTING CHECK

The rear burner tube is equipped with an adjustable shutter to control primary aeration. The front burner aeration is not adjustable. Check that the rear aeration shutter is correctly positioned. The air holes are at the right side of the tube. The appliance is supplied with the front air hole open 100%, the top hole closed and the rear hole open 30% (see figure 15). For the majority of installations this setting will be correct and the shutter should be in this position at this stage. In a very few instances performance may be improved by adjusting the aeration. This will not be able to be properly determined, however, until the appliance is operated with the logs and window installed. See later on in this manual for adjustment details.

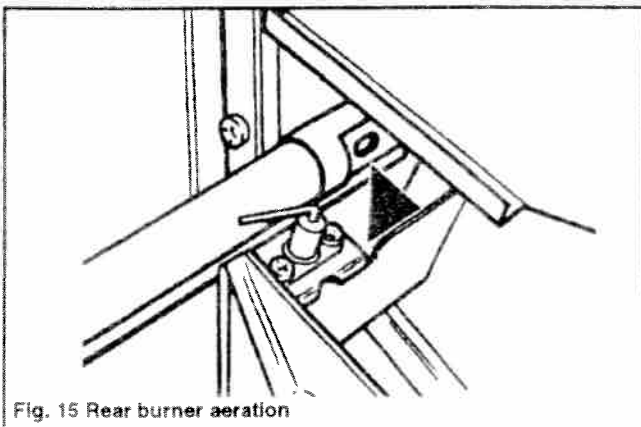


Fig. 15 Rear burner aeration

15. CERAMIC FUEL BED ASSEMBLY

15.1 Place the ceramic back wall in position centrally at the back of the firebox. It must rest on the metal ledge at the back of the firebox (see figure 16).

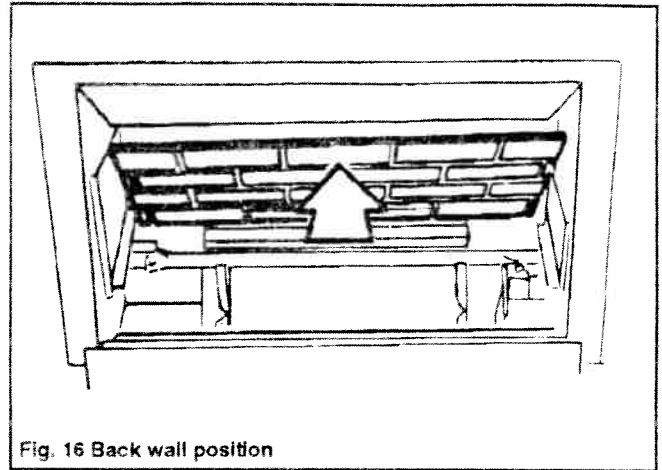


Fig. 16 Back wall position

15.2 Place the ceramic side walls in position at the sides of the firebox. The sides are left and right handed. The sides should locate in the sloping channels near the bottom of the firebox sides and in the gap between each side of the firebox and the black top baffle (see figure 17).

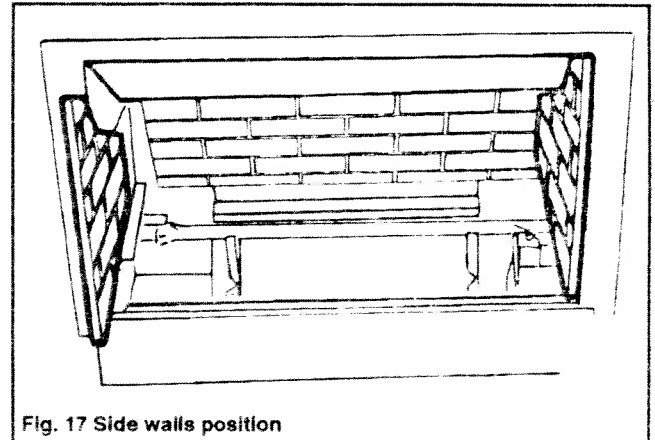


Fig. 17 Side walls position

15.3 Place the rear log (the log without a branch) in the retaining cradle behind the rear burner tube with its back against the back wall. Center the log so that the gap to the side wall is the same at each side (see figure 18).

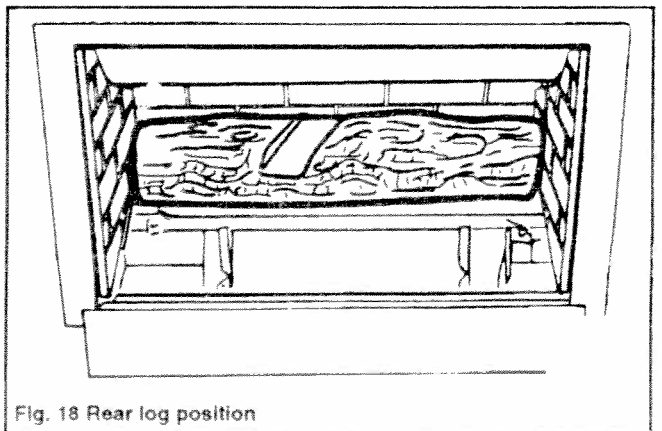


Fig. 18 Rear log position

- 15.4 Place the front log on the retaining cradles between the rear and front burner tubes. Center the log so that the gap to the side wall is the same at each side (see figure 19).

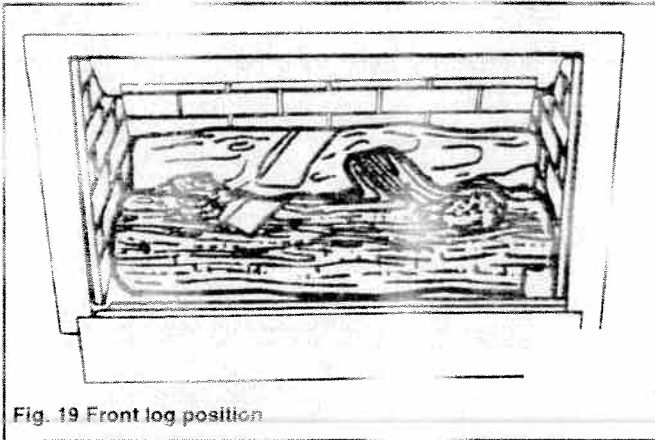


Fig. 19 Front log position

- 15.5 Place the cross log in position. The front of this log is indicated by the letter "F" crossed underneath. Make sure that the front of the log is seated inside the hollow in the front log and is not raised in front of it (see figure 20).

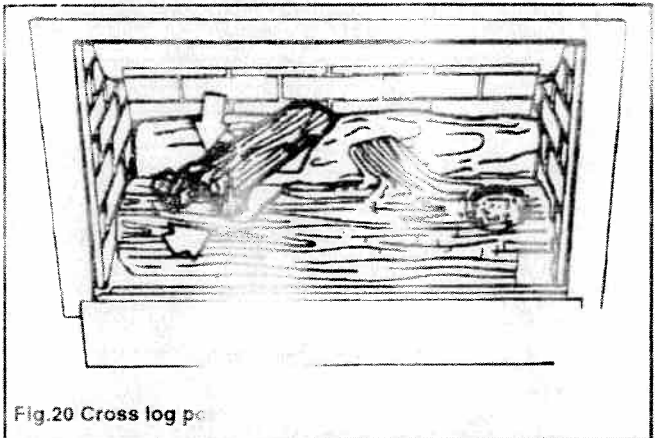


Fig.20 Cross log position

- 15.6 Place the two ceramic bars over the front rail of the firebox (see figure 21).

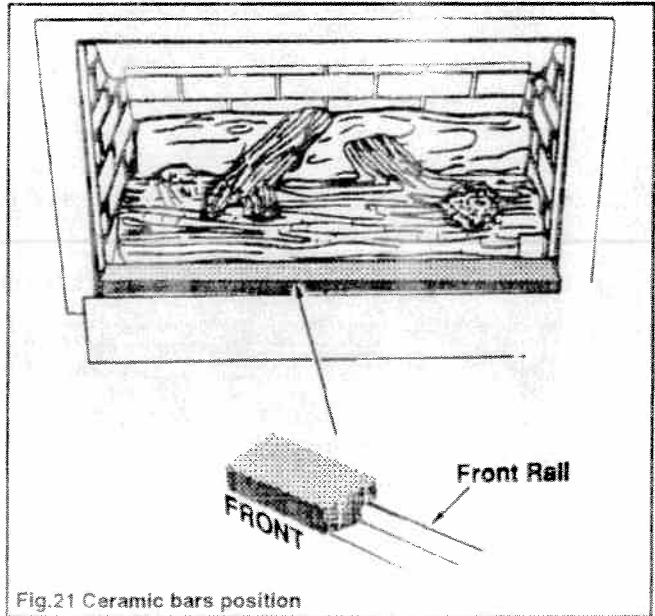


Fig.21 Ceramic bars position

16. CONTROLS OPERATION CHECK

- 16.1 Refit the control cover panel and refit the two control knobs
- 16.2 Refit the pedestal front panel. **CG#**
- 16.3 Refit the window.
- Hook the top of the window frame over the firebox top front edge.
 - Swing the window down over the bottom center locating stud.
 - Secure the window unit in place by refitting the knurled nut and 8 knurled screws at the sides and bottom of the window frame.
 - Check ignition, gas control valve and thermostat settings as described in the lighting instructions section further on in this manual.

17. AERATION ADJUSTMENT

As described in section 15, the gas burner has adjustable aeration. For the great majority of installations, no adjustment will be necessary. However, in a few instances performance may be improved by adjusting the aeration. Aeration is adjusted by sliding the shutter to the left or right. Evaluate the aeration only after the unit has warmed up (approximately 15 minutes).

Increasing aeration (by sliding the shutter to the left) will cause the flame to appear more transparent and blue making the logs glow more.

Decreasing aeration (by sliding the shutter to the right) will cause the flames to appear more yellow or orange making the logs glow less. **Too little aeration may result in black carbon forming and dropping into the firebox.**

18. FACIA INSTALLATION

- 18.1 Fit the ashlip to the facia unit with 4 screws (see figure 22).

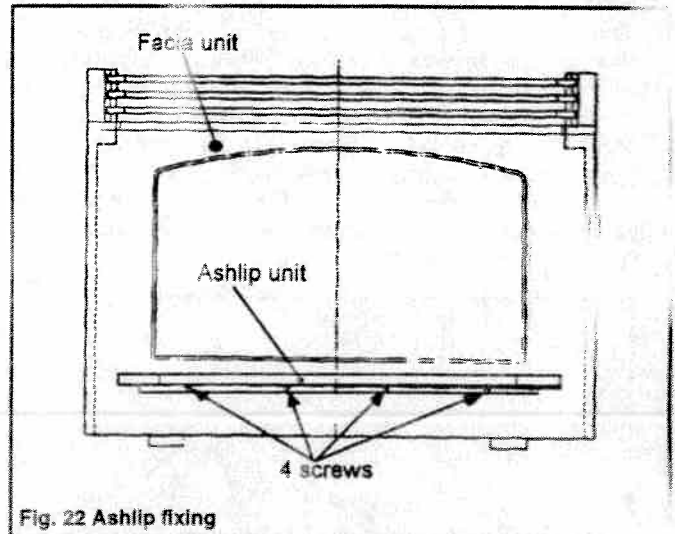


Fig. 22 Ashlip fixing

- 18.2 Locate the facia unit to the appliance front (see figure 23). Locate the top corners and the bottom. We suggest the following order:
- 1) Angle the top of the facia against the upper edge of the appliance front.
 - 2) Push the facia up between the appliance front and the appliance top.

- 3) Push the lower part of the fascia against the the appliance front.
- 4) Lower the fascia on to the locations.

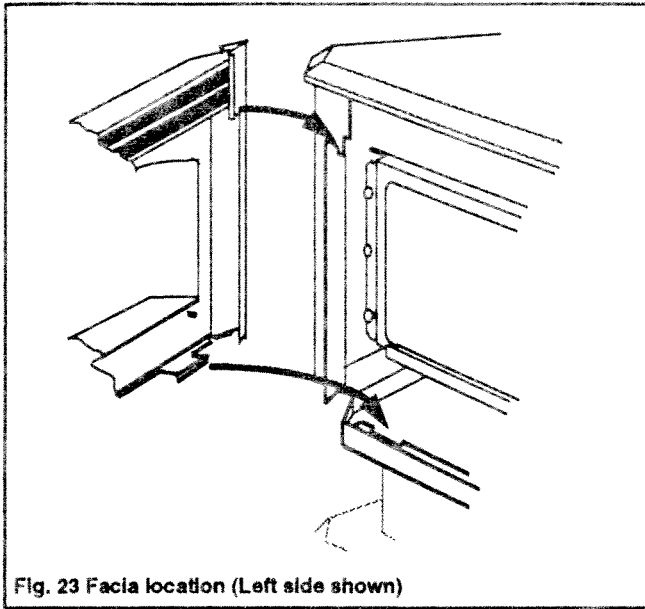


Fig. 23 Fascia location (Left side shown)

19. FINAL CHECK

- 19.1 Recheck gas control and thermostat operation.
- 19.2 Instruct the owner how to operate the appliance.
- 19.3 Warn that ***if the ceramic window unit is damaged, the appliance must be turned off immediately and not used until the window is replaced.***
- 19.4 Advise that ,if necessary, the window may be removed when the appliance is shut off and cold to clean the inside or reset the logs if disturbed. Stress that the window must be replaced securely before operating the appliance.
- 19.5 Recommend that the appliance is inspected and, if necessary, serviced at least once a year.
- 19.6 Point out the location of the supply shut off valve and its operation.
- 19.7 Point out the location of the vent terminal. Advise that, for safe and efficient operation, no objects should be placed within 2 feet (60cm) of the vent terminal.
- 19.8 Close the control panel door.

20. OPERATING PROCEDURE

The operating instructions are also inside the control panel door.

- 20.1 For your safety this appliance is fitted with a flame supervision device which will shut off the gas supply if, for any reason, the pilot flames go out. This device incorporates a fixed probe which senses the heat from the pilot flame. If the probe is cool, the device will prevent any gas flow unless the gas control knob is kept pushed in between the "Off" and "Ign" positions. See full lighting instructions on next page.
- 20.2 Open the control panel door at right side of the stove for access to the controls. Close the door when you have finished operation the controls.
- 20.3 **The Valor Comfostat™ Temperature control system**
Conventional thermostats regulate the temperature by shutting the burners off when the temperature reaches its set point limit. This gives stop-go heat, unnaturally dancing flames and impaired efficiency (like a car idling in traffic). The Comfostat™ system controls the temperature by gradually lowering or raising the fire. This maintains room comfort by providing steadier heat and a more natural looking regulation of the flames. The room temperature will be maintained at the desired level for any setting up to just short of the "Full" position. The "Full" position is an override which will keep the fire fully on all the time and is not affected by room temperature.
- 20.4 When first turned on, the decorative flames will appear predominantly blue. After approximately 15 minutes the flames will turn yellow.

21. LIGHTING WITH LONG MATCH

In the unlikely event of failure to create an ignition spark using the control knob, the stove can be lit as follows:

- 21.1 Lift off the front window.
- 21.2 Remove the window unit.
- 21.3 Open the control panel door.
- 21.4 Insert a long burning match at the pilot.
- 21.5 Operate the controls as described in the lighting instructions.
- 21.6 Make sure that the pilot flame is stable.
- 21.7 Replace the window unit securely *before turning the controls to any position other than pilot.*
- 21.8 Replace the fascia.
- 21.9 Select the burner setting.
- 21.10 Close the control panel door.

22. CLEANING

- 22.1 Only clean when the appliance is cold.
- 22.2 Normally, the appliance should only need dusting. Any stains on the ceramic glass window can be removed with a non-abrasive cleaner. **Never use abrasive cleaners on the glass.**
- 22.3 Dust etc. can be brushed from the logs after detaching the front fascia and window. If you are removing the logs, we suggest that they are removed in the reverse order to that shown in the fuel bed assembly instructions.

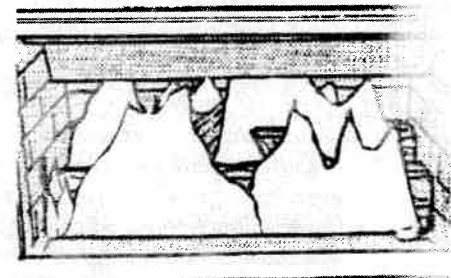
- 22.4 Always replace the ceramic bars, window and logs after any cleaning as shown in the instructions section of these instructions.
- 22.5 Discoloration of the metal firebox is normal and should be used.

23. CHECKS

- 23.1 A periodic visual check of the pilot and burner flames should be made (see figures 24 & 25).



CORRECT



WRONG

Fig. 24 Burner flames

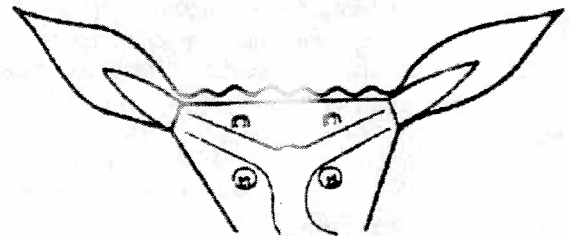
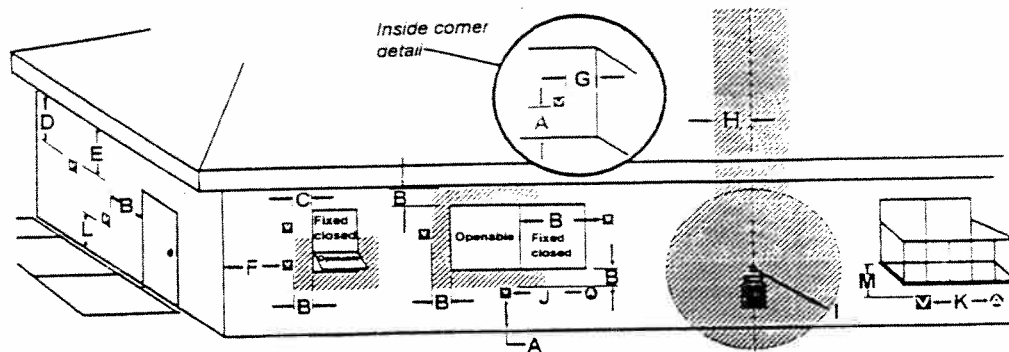


Fig. 25 Pilot flames

- 23.2 The appliance area must always be kept clear and free from combustible materials, gasoline and other flammable vapors and liquids.
- 23.3 Inspect the vent terminal outdoors regularly to make sure that it is not obstructed by dirt, snow, insects, leaves etc.
- 23.4 Examine the whole vent system regularly. We recommend annually.

24. SERVICING

If you require any attention to your appliance, contact your dealer or a qualified technician. It will be helpful if the appliance serial number can also be quoted. This is on the control panel visible when the control panel door is opened. The repair parts are shown in the separate repair parts leaflet. Please always quote part number and description when requesting spare parts.



☑ = Vent terminal △ = Air supply inlet = Area where terminal is not permitted

KEY	VENT TERMINAL LOCATIONS - MINIMUM DISTANCES <i>See figure 11</i>	MINIMUM CLEARANCE	
		Ins	Cms
A	Clearance above grade, verandah, porch, deck or canopy	12	30
B	Clearance to window or door that may be opened	12	30
C	Clearance to permanently closed window (recommended to prevent condensation on window)	12	30
D	Vertical distance to ventilated soffit located above the terminal within a horizontal distance 2 feet (60 cm)	18	46
E	Clearance to unventilated soffit	12	30
F	Clearance to outside corner	12	30
G	Clearance to inside corner	12	30
H	Horizontal clearance to center-line of meter/regulator assembly located below the terminal	36	90
I	Clearance to service regulator vent outlet	72	180
J	Clearance to non-mechanical air supply inlet to the building or the combustion air inlet to any other appliance	12	30
K	Clearance to a mechanical air supply inlet	72	180
L	Clearance above paved sidewalk or a paved driveway located on public property. <i>Note: A vent must not terminate directly above a sidewalk or paved driveway, which is located between two single family dwellings and serves both dwellings.</i>	84	210
M	Clearance under a verandah, porch, deck or balcony <i>Only permitted if veranda, porch, deck or balcony is fully open on a minimum of 2 sides beneath the floor.</i>	12	30

Note: Local codes and regulations may require different clearances.





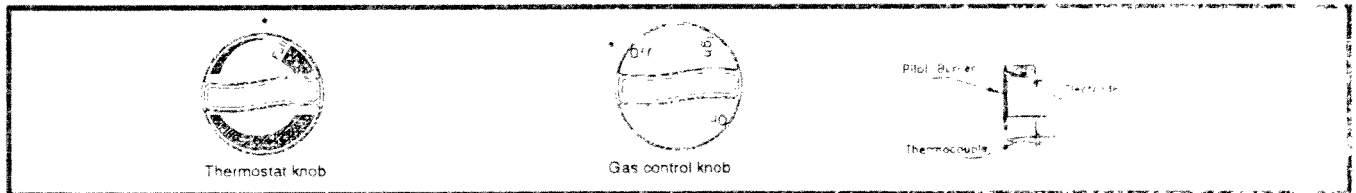
FOR YOUR SAFETY READ BEFORE LIGHTING




WARNING: If you do not follow these instructions exactly, a fire or explosion may result causing property damage, personal injury or loss of life.

- A. This appliance has a pilot which must be lighted by hand. When lighting the pilot, follow these instructions exactly.
- B. **BEFORE LIGHTING** smell all around the appliance area for gas. Be sure to smell next to the floor because some gas is heavier than air and will settle on the floor.
WHAT TO DO IF YOU SMELL GAS
 - Do not try to light any appliance.
 - Do not touch any electric switch; do not use any phone in your building.
 - Immediately call your gas supplier from a neighbor's phone. Follow the gas supplier's instructions.
 - If you cannot reach your gas supplier, call the fire department.
- C. Use only your hand to push in or turn the gas control knob. Never use tools. If the knob will not push in or turn by hand, don't try to repair it, call a qualified service technician. Force or attempted repair may result in a fire or explosion.
- D. Do not use this appliance if any part has been under water. Immediately call a qualified service technician to inspect the appliance and to replace any part of the control system and any gas control which has been under water.
- E. During extreme weather conditions, make sure that the vent outlet is free of ice and snow before attempting to light.


LIGHTING INSTRUCTIONS

1. **STOP!** Read the safety information above on this page.



2. Set the thermostat to its lowest setting.
3. Turn the gas control knob clockwise  to "Off".
Note: Knob cannot be turned to "Off" unless it is pushed in partially. Do not force.
4. Wait five (5) minutes to clear out any gas. If you then smell any gas, **STOP!** Follow "B" in the safety information above on this label. If you don't smell gas, go to next step.
5. Find the pilot. It is at the right side of the firebox.
6. Push in and turn the gas control knob counter-clockwise  until resistance is felt. Keep pushed in at this position for a few seconds to allow gas to flow.
7. Keep knob pushed in and turn to "Ign" to light pilot. While turning to this position ignition sparks will be activated twice. Hold knob in for a further 5 seconds then release. The knob should pop back up. The pilot should remain lit. If pilot goes out repeat steps 3 through 7. If pilot does not light at all during a few attempts, try lighting with a long match as described below.
 - If pilot lights but will not stay lit after several tries, turn the gas control knob to "Off" and call your service technician or gas supplier.
8. When pilot is lit, partially depress the gas control knob and turn counterclockwise  to "On".
 - Do not leave knob set between "Ign" and "On".
9. Set thermostat to desired setting.
10. Close control access door.
Match lighting: After removing the window unit, apply a long match to the pilot while the gas control knob is pushed in at the "Ign" position - See previous page for full details.
 - Always replace the window unit after match lighting the pilot.
 - The gas control knob should always pop up when released. If it does not, stop and immediately call your service technician or gas supplier.

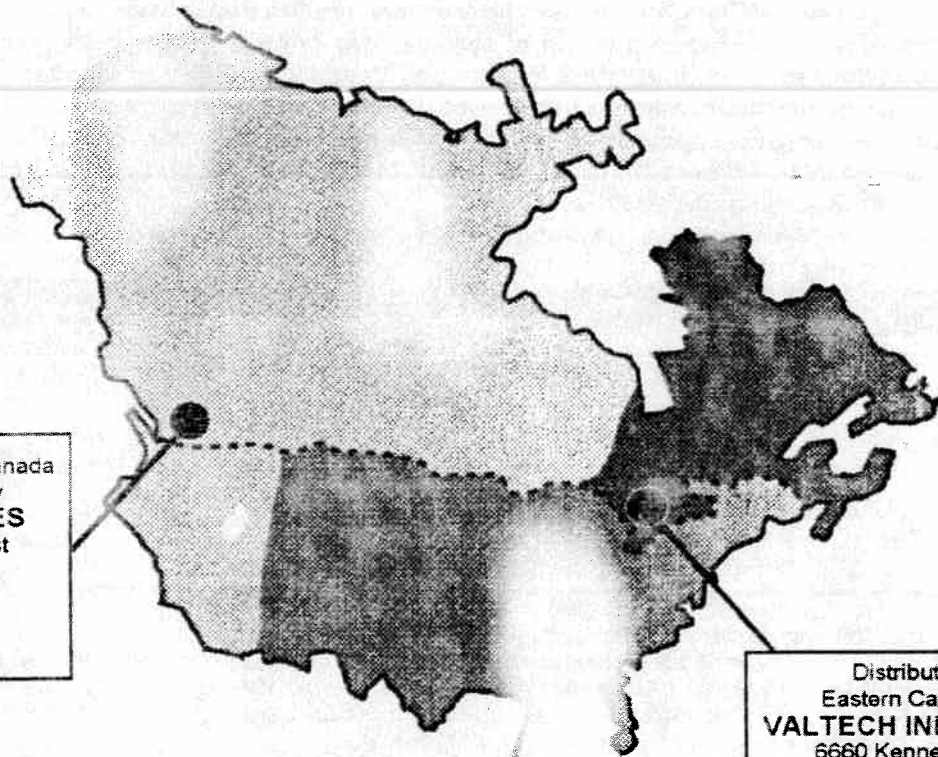
TO TURN OFF GAS TO APPLIANCE

1. Set the thermostat to lowest setting.
2. Push in the gas control knob and turn clockwise  to "Off". Do not force.
3. Close control access door.

Manufactured by

Valor HEATING

BIRMINGHAM, ENGLAND



Distributed in Western Canada
and Western USA by
MILES INDUSTRIES
829 Third Street West
North Vancouver
B.C. V7P 3K7
Ph. (604) 984-3496
Fax (604) 984-0246

Distributed in Central and
Eastern USA by
**FRANK BRUMMETT
DISTRIBUTING**
601 Hope Street
Bowling Green, Ky 42101
Ph. (502) 796-8406
Fax (502) 796-8421

Distributed in
Eastern Canada by
VALTECH INDUSTRIES
6660 Kennedy Road
Mississauga
Ontario L5T 2M9
Ph. (905) 795-0333
Fax (905) 795-0336

Because our policy is one of constant development and improvement, details may vary slightly from those given in this publication.