

# Valor Legend



937AN Main unit - Natural Gas  
937AP Main unit - Propane Gas

with

901FKP Contemporary fascia & pedestal  
902FKL Traditional fascia & legs

## REPAIR PARTS LIST



Distributed in Western Canada  
and Western USA by  
**MILES INDUSTRIES**  
629 Third Street West  
North Vancouver  
B.C. V7P 3K7  
Ph. (604) 984-3408  
Fax (604) 984-0246

Distributed in  
Eastern Canada by  
**VALTECH INDUSTRIES**  
8000 Kennedy Road  
Markham  
Ontario L3T 2M8  
Ph. (905) 795-0333  
Fax (905) 795-0536

Distributed in Central and  
Eastern USA by  
**VALOR USA**  
Post Office Box 773  
Franklin, Ky 42135  
Ph. (Toll free)  
1-800-827-6130  
Fax 1-502-772-8083

Manufactured by



**Valor HEATING,**  
Birmingham, England

Because our policy is one of constant development and improvement, details may vary slightly from those given in this publication.  
Vous pourrez vous procurer un exemplaire en langue Française de cette brochure chez votre concessionnaire  
© Valor Heating

KEY	DESCRIPTION	AMOUNT	PART #
1	Seal - Transfer ports to fire box	2	524009
2	Transfer port	2	523999
3	Heat exchanger	1	541579
4	Heat exchanger baffle	1	541589
5	Seal - Transfer ports to heat exchanger	2	524039
6	Port hole cover	1	560889
7	Transfer port - Exhaust	1	524059
8	Seal - Heat exchanger to exhaust port	1	524069
9	Cross lighting bracket	1	522909
10	Connector - Pilot pipes	1	524139
11	Locknut	1	528839
12	Pipe - Connector to pilot elbow	1	524169
13	Pilot injector & carrier - <i>For Natural Gas appliances</i>	1	524179
	<i>For Propane appliances</i>		565959
14	Pilot injector - <i>For Natural Gas appliances</i>	1	522969
	<i>For Propane appliances</i>		523169
15	Locknut	1	528839
16	Pilot & cross lighting burner	1	522979
17	Electrode	1	522989
18	Injector - Rear burner - <i>For Natural Gas appliances</i>	1	541609
	<i>For Propane appliances</i>		565969
19	Injector carrier - Rear burner	1	523019
20	Injector - Front burner - <i>For Natural Gas appliances</i>	1	541609
	<i>For Propane appliances</i>		565969
21	Injector carrier - Front burner	1	523019

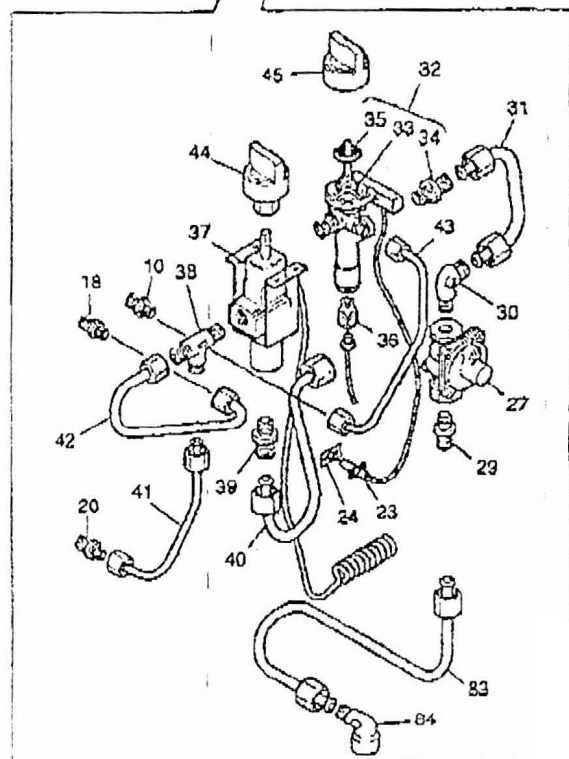
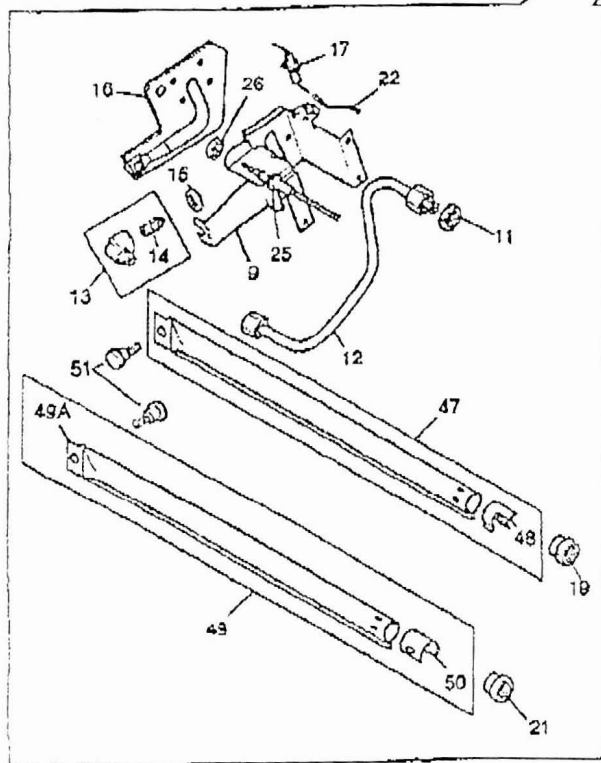
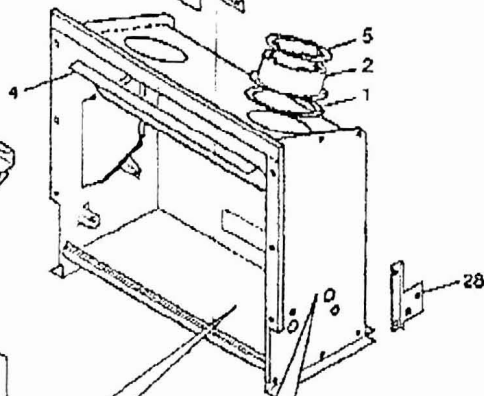
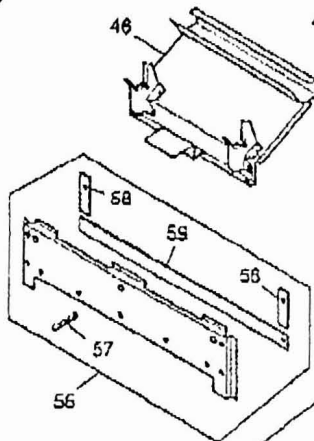
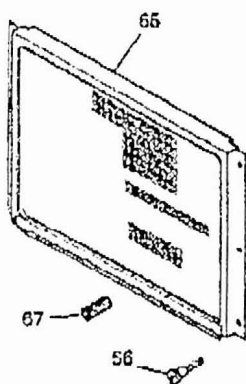
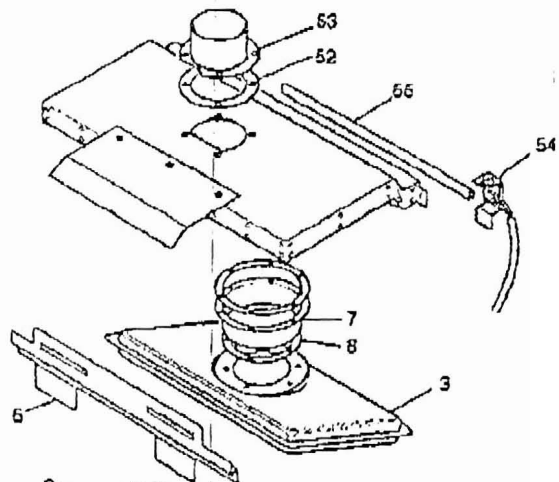
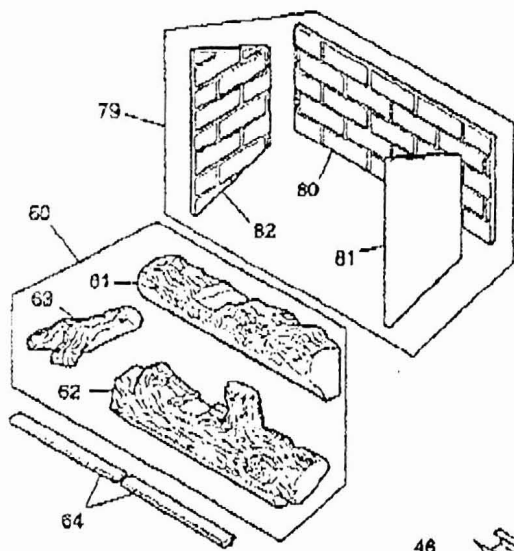
KEY	DESCRIPTION	AMOUNT	PART #
22	Electrode wire	1	513199
23	Electrode wire connector	1	541619
24	Seal - Electrode wire connector	1	541629
25	Thermocouple	1	526189
26	Locknut	1	547759
27	Regulator - <i>For Natural Gas appliances</i>	1	508199
	<i>For Propane appliances</i>		508209
28	Regulator bracket	1	565979
29	Connector - Regulator inlet	1	539639
30	Elbow connector - Regulator outlet	1	541649
31	Pipe - Regulator to control valve	1	565989
32	Control valve & inlet connector unit	1	542199
33	Control valve	1	541669
34	Connector - Control valve inlet	1	541679
35	Locknut	1	502739
36	Thermocouple interrupter	1	522389
37	Thermostat unit - <i>For Natural Gas appliances</i>	1	541689
	<i>For Propane appliances</i>		565999
38	"T" connector - Thermostat outlet	1	541699
39	Connector - Thermostat inlet	1	539639
40	Pipe - Control valve to thermostat	1	541709
41	Pipe - Thermostat to front burner	1	541719
42	Pipe - Thermostat to rear burner	1	541729
43	Pipe - Control valve to pilot connector	1	541739
44	Thermostat control knob	1	541749
45	Gas control valve knob	1	541759

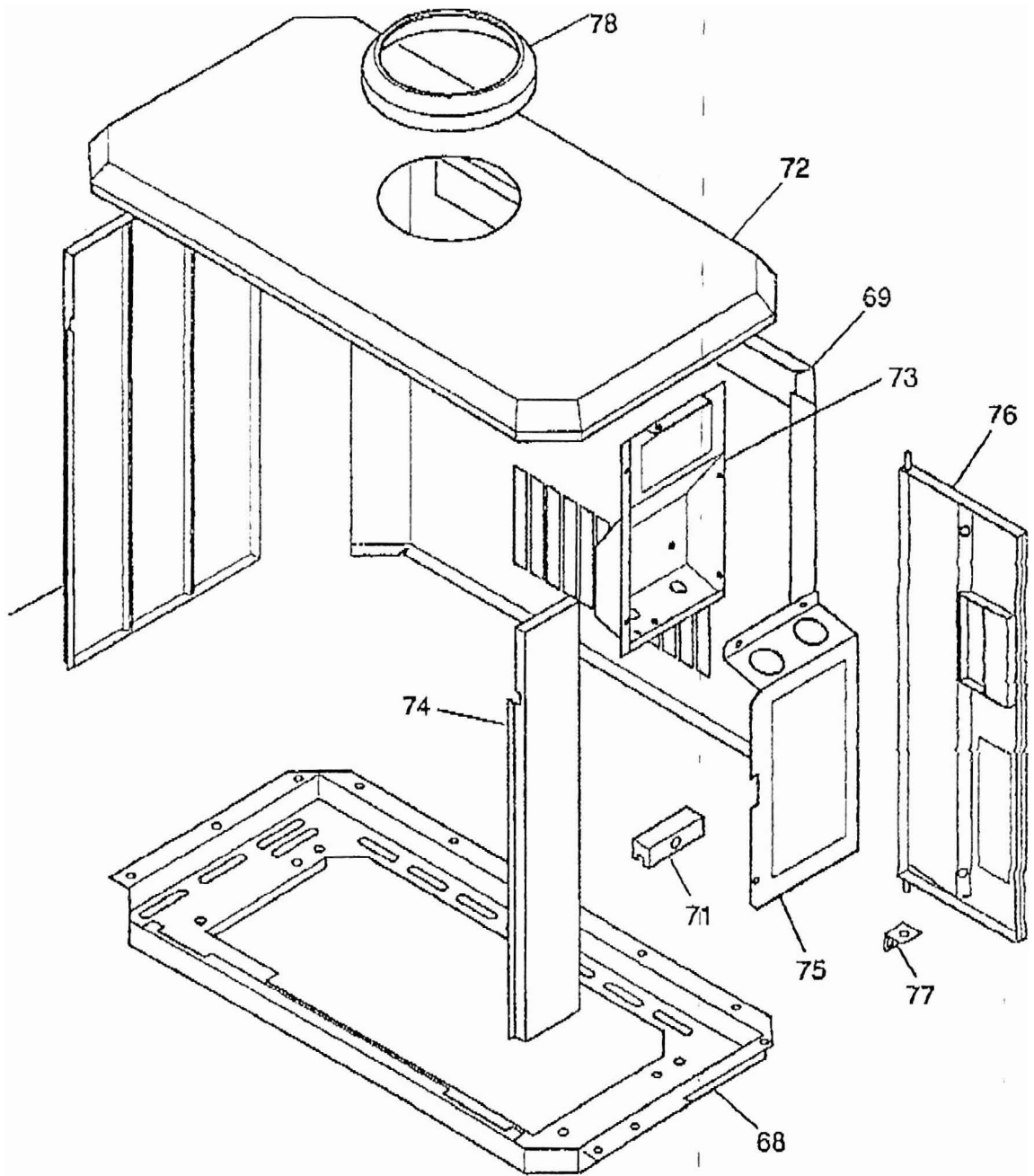
KEY	DESCRIPTION	AMOUNT	PART #
46	Inlet baffle & log support unit - <i>For Natural Gas appliances</i> ----- <i>For Propane appliances</i>	1	524249 566009
47	Rear burner & air shutter - <i>For Natural Gas appliances</i> ----- <i>For Propane appliances</i>	1	566019 566029
48	Air shutter - Rear burner	1	523079
49	Front burner & air shutter - <i>For Natural Gas appliances only</i>	1	566039
49A	Front burner (no air shutter) - <i>For Propane appliances</i>	1	566049
50	Air shutter - Front burner - <i>For Natural Gas appliances only</i>	1	523079
51	Knurled screw	2	539799
52	Seal - Vent collar	1	524009
53	Vent collar	1	513649
54	Vent safety switch unit	1	566059
55	Sealing channel "U" form	1	566069
56	Firebox front panel	1	566079
57	Threaded stud	1	549319
58	Seal - Firebox front panel sides	2	524399
59	Seal - Firebox front panel bottom	1	524409
60	Set of ceramic logs	1	566089
61	Rear log	1	566099
62	Front log	1	563619
63	Cross log	1	563629
64	Front ceramic strip	2	524439
65	Window unit	1	566109
66	Location screw	2	522219
67	Knurled nut	1	524469
68	Case base	1	541789
69	Case rear panel	1	566119
70	Case left side	1	541809
71	Thermostat capillary shield	1	541819
72	Case top	1	566129

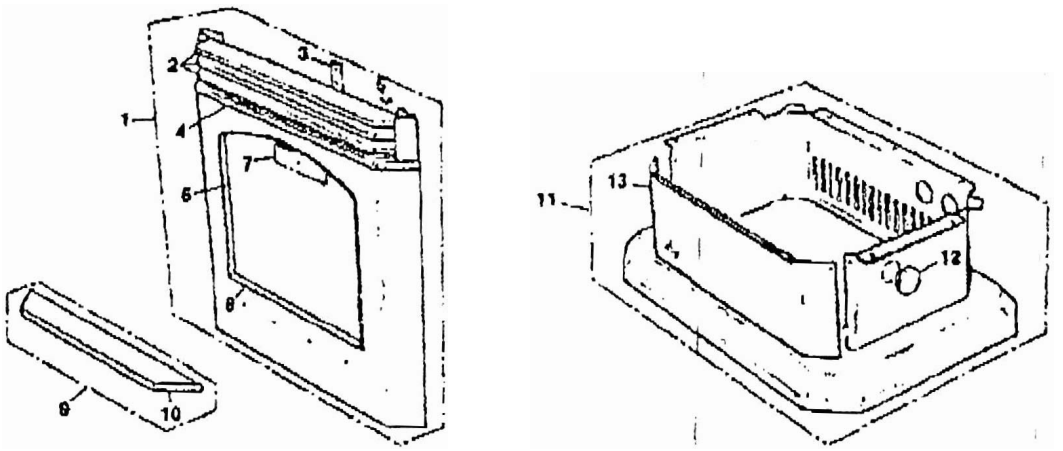
KEY	DESCRIPTION	AMOUNT	PART #
73	Control mounting panel	1	541839
74	Case right side & door catch	1	541849
75	Control panel cover	1	541859
76	Controls access door	1	566139
77	Door retaining bracket	1	541889
78	Decorative vent collar	1	566149
79	Set of ceramic walls	1	560899
80	Ceramic rear wall	1	566159
81	Ceramic right side wall	1	566169
82	Ceramic left side wall	1	566179
83	Supply inlet pipe	1	566199
84	Supply inlet elbow	1	548899
-	Instruction manual	1	566189

901FKP Contemporary facia & pedestal			
KEY	DESCRIPTION	AMOUNT	PART #
1	Facia unit	1	542009
2	Air outlet louver	3	542019
3	Louver brace	1	542029
4	Facia top trim	1	542039
5	Spring clip	4	553579
6	Facia aperture top & side trim	1	542049
7	Facia top heat shield	1	542059
8	Facia aperture bottom trim	1	542069
9	Ashlip unit	1	544579
10	Ashlip trim	1	542089
11	Pedestal unit	1	544589
12	Fan access cap	1	510599
13	pedestal front panel	1	542109

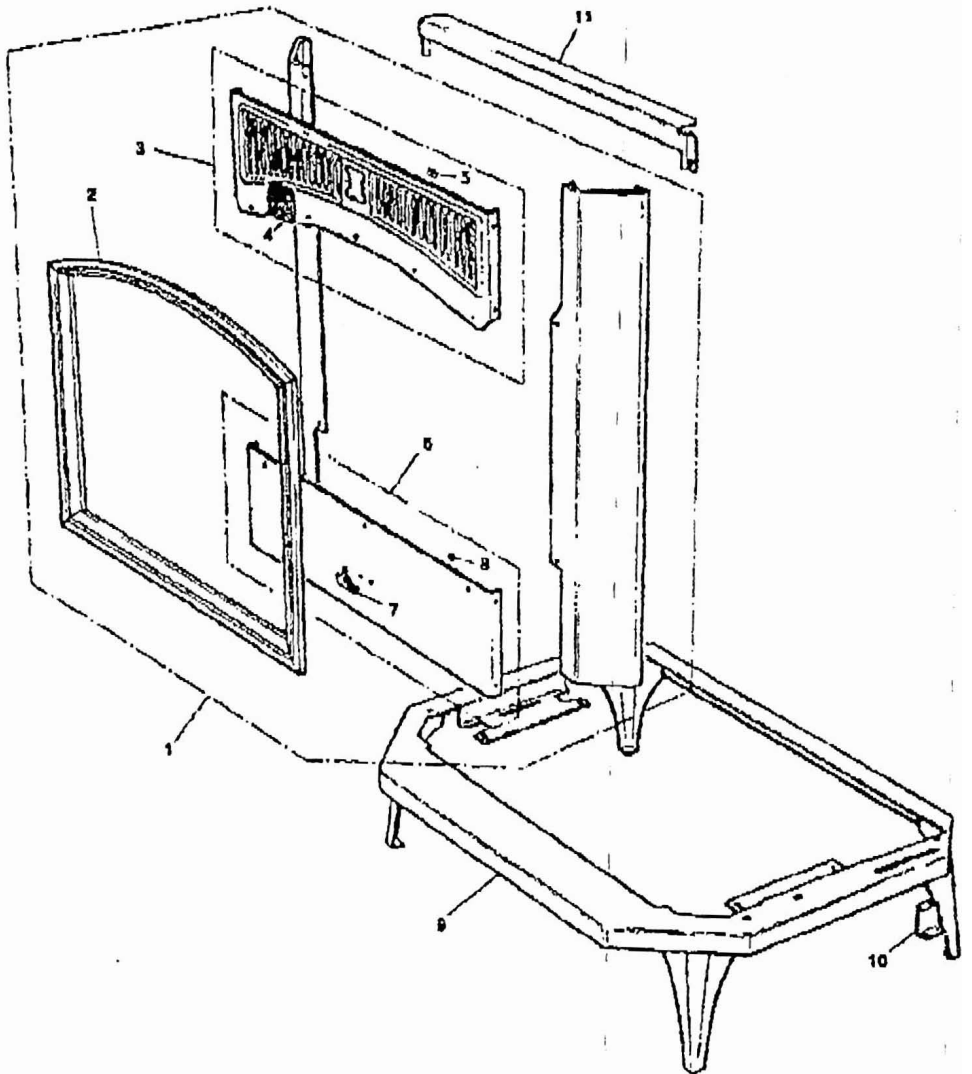
902FKL Traditional Facia & base with legs			
KEY	DESCRIPTION	AMOUNT	PART #
1	Facia unit	1	545209
2	Facia aperture trim	1	545219
3	Facia outlet grille	1	545229
4	Facia top emblem	1	545239
5	Nut for emblem	2	518819
6	Facia bottom panel	1	545249
7	Name badge	1	504639
8	Badge securing fix	2	534419
9	Base & legs unit	1	545259
10	Door retaining bracket	1	545269
11	Window frame top cover	1	545279







901FKP Contemporary faucet & pedestal



902FXL Traditional faucet & base with legs