

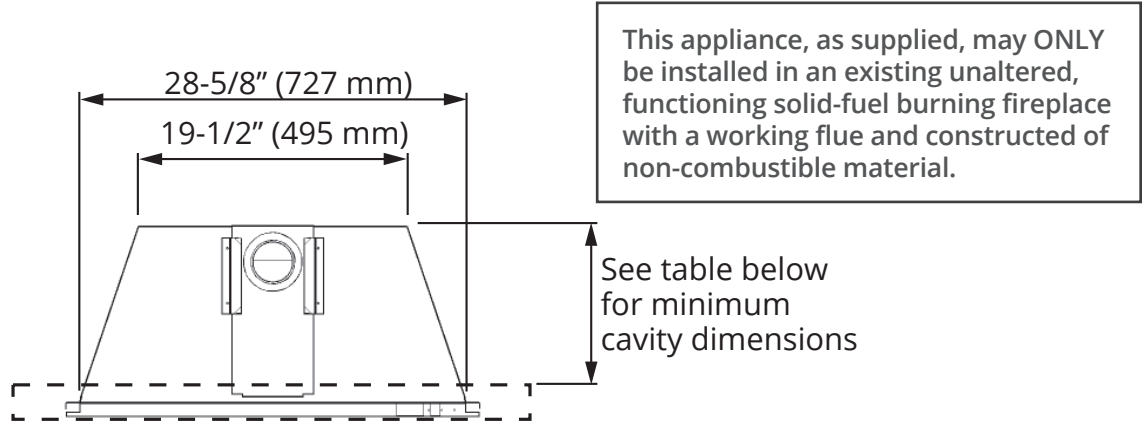


G3 738 BV

Jan 2023

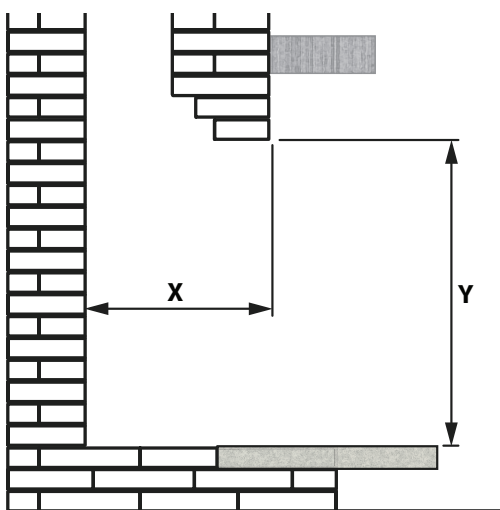
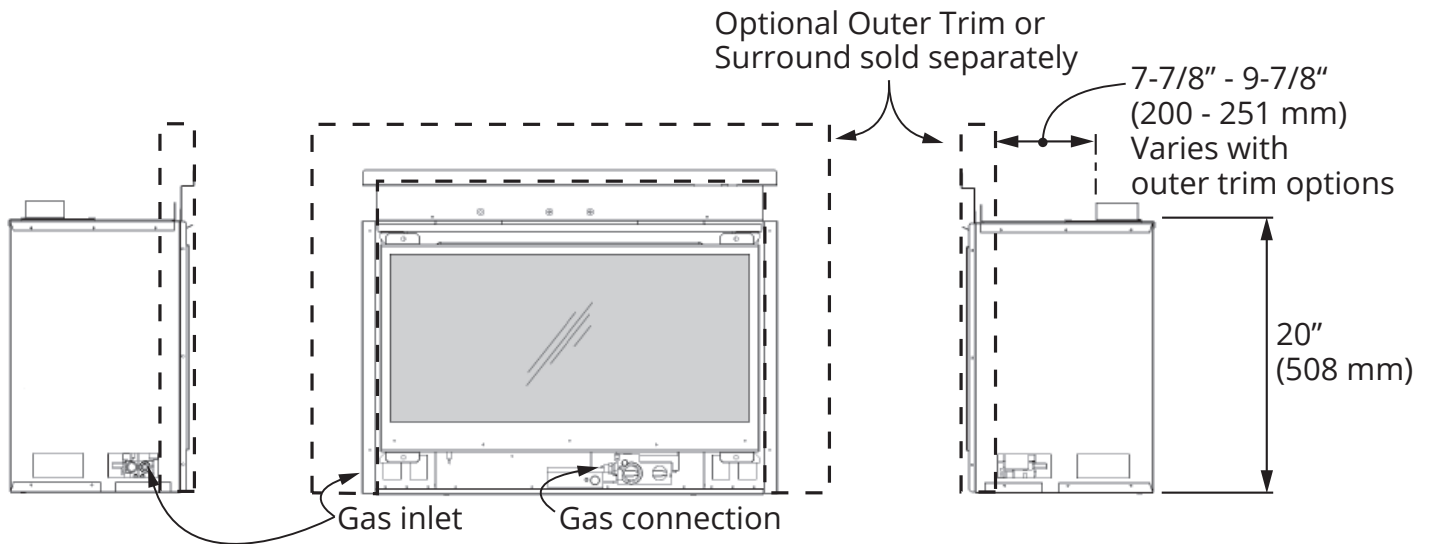
1/2

Dimensions



This appliance, as supplied, may ONLY be installed in an existing unaltered, functioning solid-fuel burning fireplace with a working flue and constructed of non-combustible material.

See table below for minimum cavity dimensions



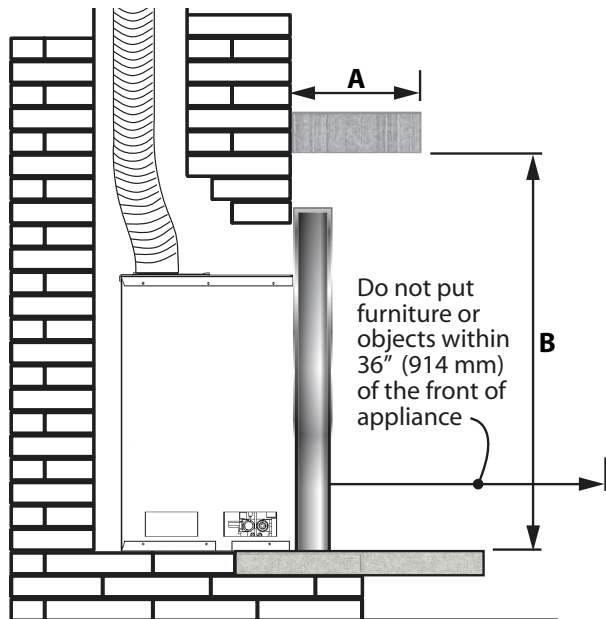
Minimum Cavity Dimensions

Check that masonry step does not interfere with install dimensions or vent pipe.

If mantel is combustible, see the following section for allowable clearances.

Outer Trims	746CTK, 748CTK, 756ST, 767STB, 757ST, 715CV	747DTK, 753OTK
Minimum Depth (X)	12-7/8" [327 mm]	12-1/4" [312 mm]
Minimum Height (Y)	20-1/2" [521 mm]	20-1/2" [521 mm]
Minimum Width	28" [711 mm]	28" [711 mm]

Clearances



Combustible Mantel Clearances

Mantel Projection A	1"	1-6"	9"	12"
	[25 mm]	[25-152 mm]	[229 mm]	[305 mm]
Mantel Height B*	36"	39"	42"	45"
	[914 mm]	[991 mm]	[1067 mm]	[1143 mm]

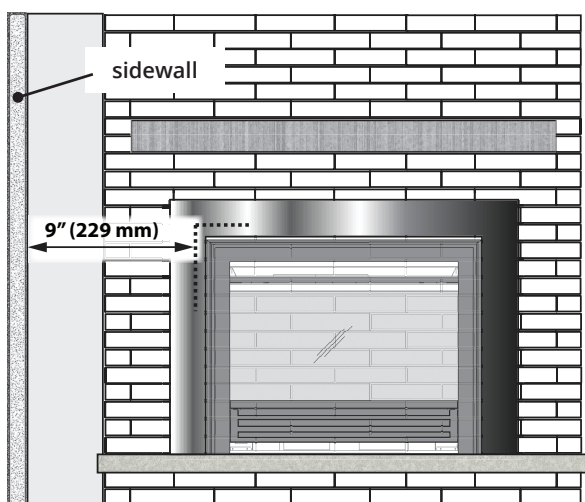
*Measure taken from the underside of the mantel to finished hearth or surface that the unit is sitting on.

Finishing Materials

Combustible materials: Materials made of or surfaced with wood, compressed paper, plant fibers, plastics, or other material that can ignite and burn, whether flame proofed or not, or plastered or unplastered.

Non-combustible materials: Material which will not ignite and burn. Such materials are those consisting entirely of steel, iron, brick, tile, concrete, slate, glass or plasters, or any combination thereof.

Materials that are reported as passing ASTM E 136, Standard Test Method for Behavior of Materials in a Vertical Tube Furnace at 750 °C.



Sidewall Clearances

Minimum distance from side of appliance (liner box) to combustible wall: 9" [229 mm]. Mantel legs projecting forward less than 6" (152 mm) may be located within 5" (127 mm) of the side of the appliance (liner box).

Floor/Hearth Clearances

Combustible shims/supports may be used beneath the appliance to level or raise the appliance within the existing fireplace cavity.

Combustible flooring/hearths in front of the appliance are allowed provided they are no higher than the base of the appliance. Carpet, vinyl flooring should be kept back to a minimum of 12" (305 mm) from the front of the insert. The gas insert does not require a hearth.