

valor THE ORIGINAL
RADIANT GAS FIREPLACE

LX2

Multi-sided Fireplace Series



LX2 Corner Right with Splitwood and Reflective Glass liner, and overhead lighting (not shown).

HeatShift™ with 38" front plenum.

LX2 Series

The LX2 Series are the first heater-rated, efficient, multi-sided fireplaces. Their outstanding radiant performance will heat any space—be it a living room, family room or great room—matched in grandeur by the LX2's sought-after multi-dimensional design.

HeatShift™ The Right Heat in the Right Place.

- Select the finish you want, knowing that your artwork, TV and construction materials stay cooler and protected.
- Achieve a custom look with three HeatShift™ options.

An essential part of the LX2, the combination of radiant heat from the fireplace and HeatShift's convective heat is a satisfying source of comfortable warmth.

Safety


Valor's **improved** safety screen combines safety, style, performance and convenience.

- Produces a brighter flame by allowing 12% more light and radiant heat than conventional screens.
- Magnetic screen for easy install and access protects you from the hot window.
- Blends with clean lines of the fireplace.



Made for new construction or renovation





LX2 Corner Right with
Driftwood and Reflective
Glass liner, and overhead
lighting (not shown).

HeatShift™ with
top outlet.

Select a liner:

Create your fireplace.

Choose from a possible 15 style combinations to get the look you want.

For a full selection of styles, visit valorfireplaces.com/LX2.

Or, build your own custom design with Valor's new Design Center, design.valorfireplaces.com

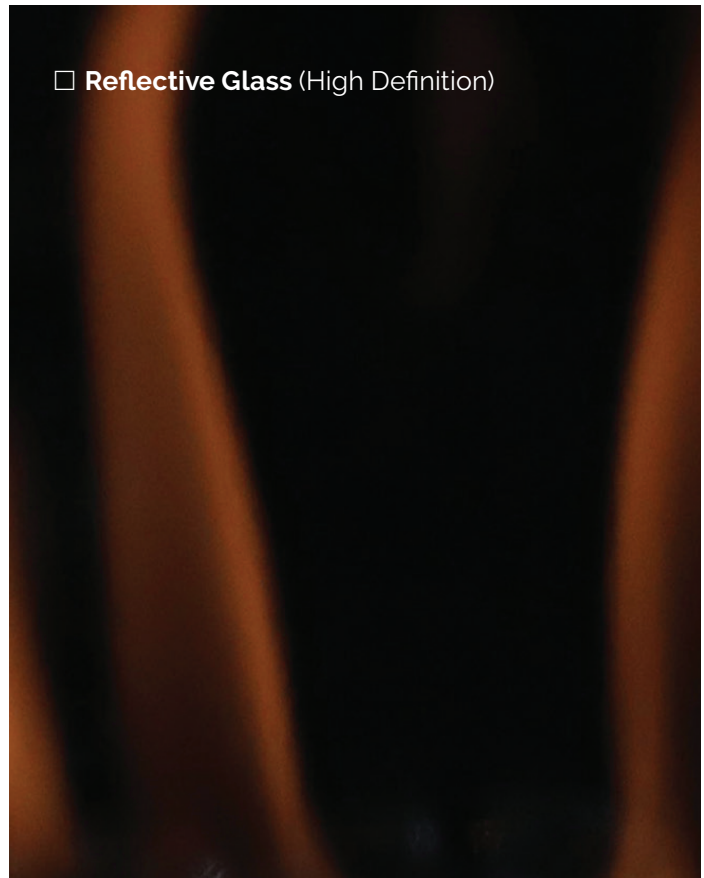
Fluted Black



Limestone



Reflective Glass (High Definition)



Select a fuel bed:

Long Beach Driftwood with Black Fluted liner



Splitwood with Limestone liner



Rock and Shale with Reflective Glass liner



Decorative Glass with Reflective Glass liner



Murano Glass with Reflective Glass liner



Optional Underbed Lighting highlights the Decorative Glass—especially when the fireplace is turned off.



LX2 3-sided with Decorative glass
and Reflective Glass liner, and
overhead lighting (not shown).

HeatShift™ with side grilles.



LX2 COMPONENTS

Window Dimensions

	front: 45½" x 16"
	side: 11¼" x 16"

New

		3-SIDED	CORNER LEFT	CORNER RIGHT
ENGINES direct vent	Natural Gas	2200JN	2200LJN	2200RJN
	Propane	2200JP	2200LJP	2200RJP
LINERS	Fluted Black	2200FBL	2200FBL + 2200FBP	
	Reflective Glass	2200RGL	2200RGL + 2200RGP	
	Limestone	2200LML	2200LML + 2200LMP	
FUEL BEDS	Long Beach Driftwood	1705DWK		
	Splitwood	1700SWK		
	Rock and Shale	1714RSS		
	Murano Glass	2200DGM		
	Decorative Glass	2200DGS		
HEATSHIFT™	front mounted 38" plenum	LDK4 and 5		
	side mounted grilles	LDK3		
	top mounted outlets	LDK7		
OPTIONAL	Steel Framing Kit New	2200SFK		
	Decorative Rock	1506DRK	For Driftwood only	
	Underbed Lighting New	2200ULK	For Decorative Glass only	
	Remote Blower	1270RBK	for Zone Heating	
	Lower Shelf, Black Granite	2200LSB		
	Upper Shelf, Black Granite	2200USB		
CONTROLS	ValorStat Max Remote	GV60	included	
	Remote Battery and Wall Switch	RBWSK		

Efficiency Ratings

Model	Fuel	Max. Input	Min. Input	Max. Output without fan*	EnerGuide Rating*
2200	NG	36,000	19,000	26,028	67.4%
	LP	36,000	21,000		

* EnerGuide Ratings and Outputs have been determined without a fan/blower, using the CSA P41-15 test method.

Certified to ANSI 21.88-2016/ CSA 2.33-2016 Vented Gas Fireplace Heater American National Standard CGA - 2.17-91 Gas Fired Appliances for use at high altitudes.

About our efficiency ratings

While the North American fireplace industry is largely self-regulated, at Valor we use recognized Canadian and US government testing methods to determine our energy efficiencies, and ensure our products perform in your home as rated.

Visit valorfireplaces.com/efficiency for more information.

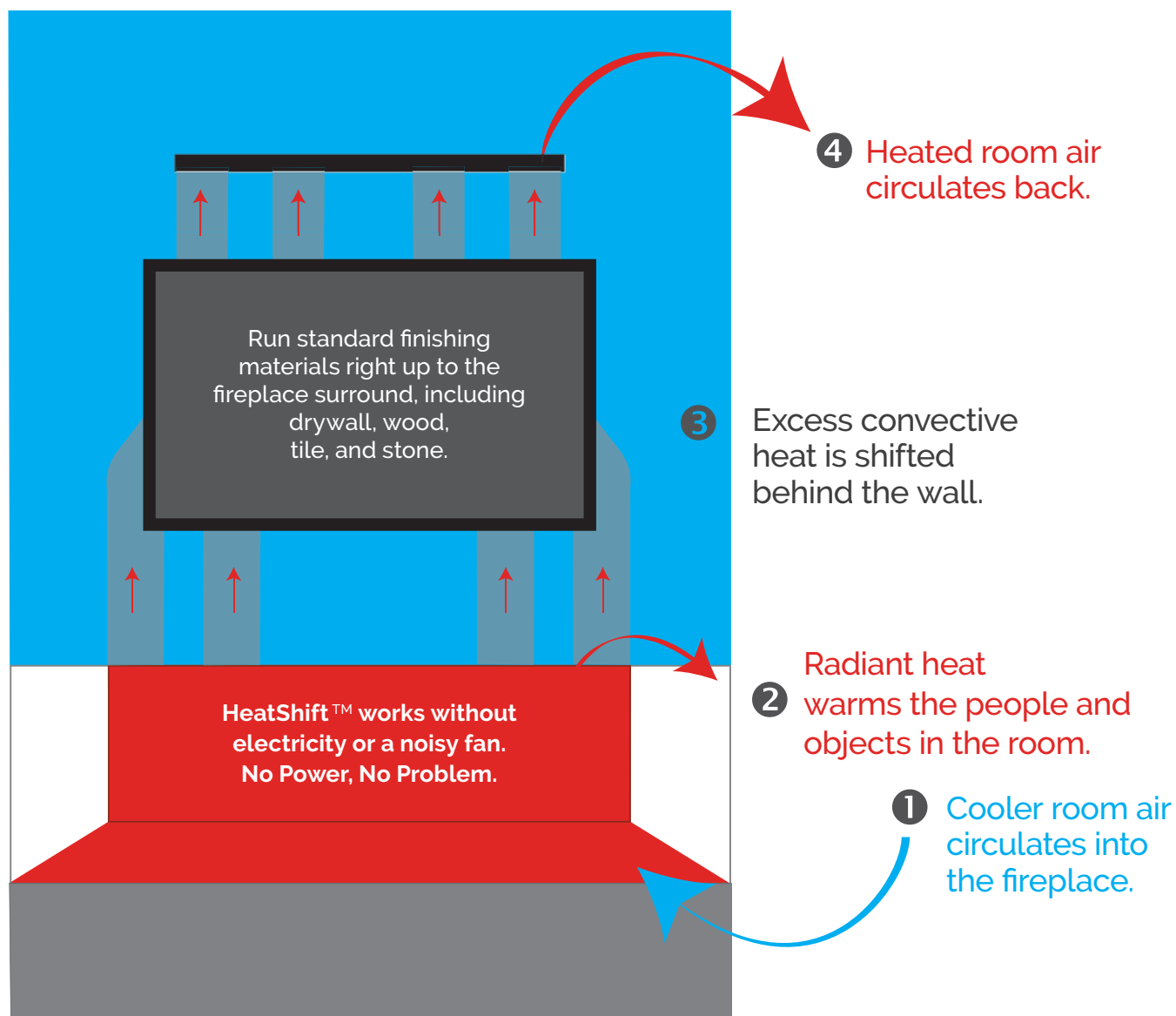
HeatShift™

standard
with LX2 Series

Heat from larger fireplaces can crack finishes and damage artwork and electronics located immediately above.

Harnessing up to 60% of your fireplace's convective warmth, Valor's **HeatShift™** uses gravity to shift excess heat away from the fireplace wall—avoiding your TV, artwork and custom finishes. The convective air then circulates back into the room at a higher point—all the while keeping your wall cool below.

Built and designed in
North America for North
American homes.



Zone Heating

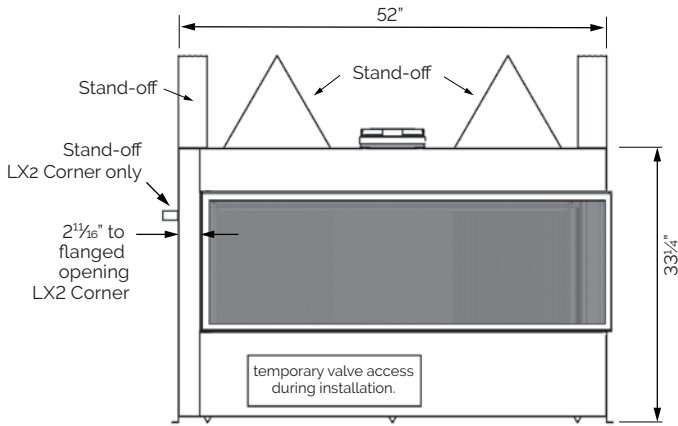
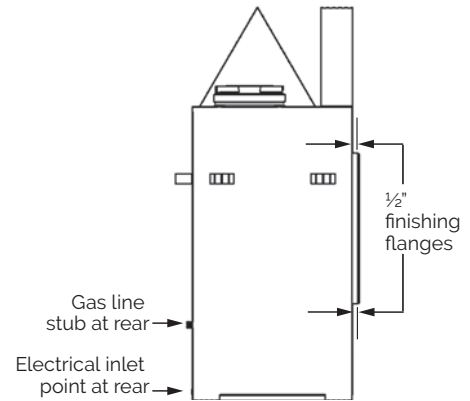
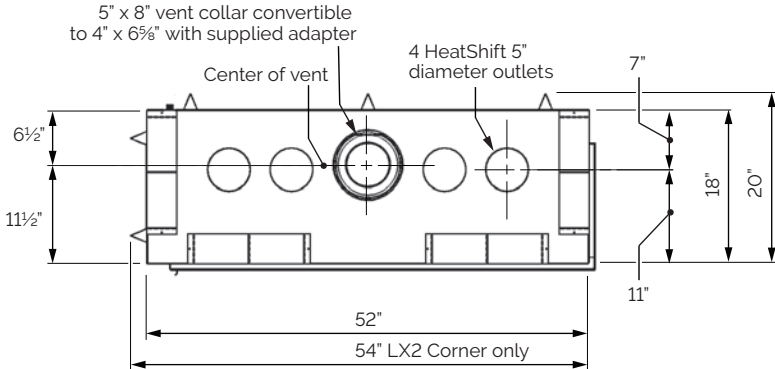
Looking to heat other areas in your home? Our optional **Remote Blower** distributes heat to other areas of your home, such as bedrooms, hallways or utility rooms.

Available in front plenum (shown), side grilles, or top outlets to suit any design layout.

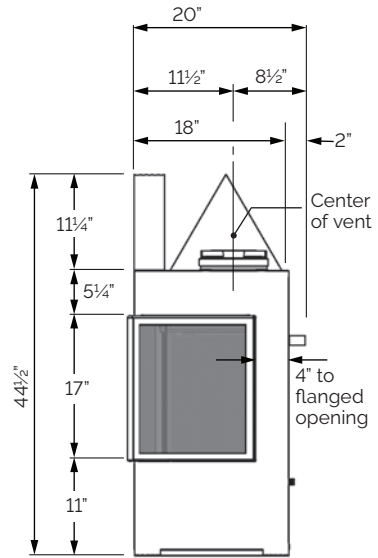
Find out more at valorfireplaces.com/heatshift

LX2 SERIES

DIMENSIONS



LX2 Corner Right shown.



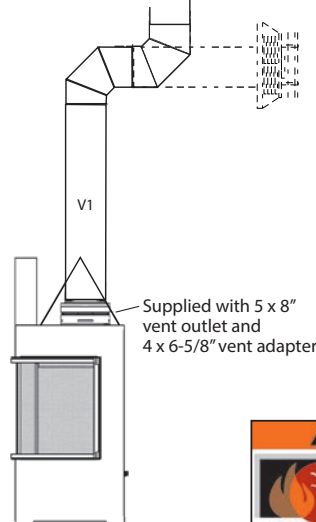
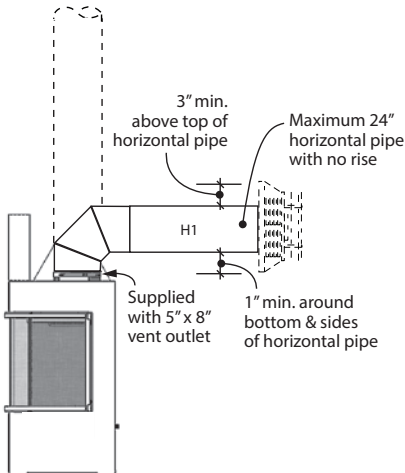
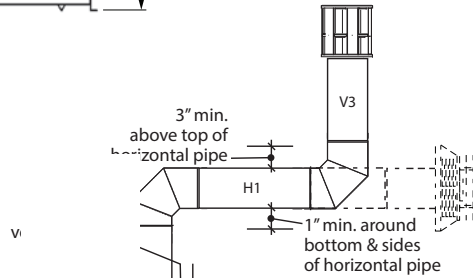
VENTING

5 x 8" only

Rear venting with no vertical rise allowed—maximum 24"

4 x 6⁵/₈"

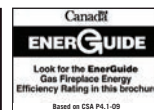
Requires minimum 12" vertical rise.




Minimal Combustible Framing		
H	W	D
44 ¹ / ₂ "	54" max	20" min



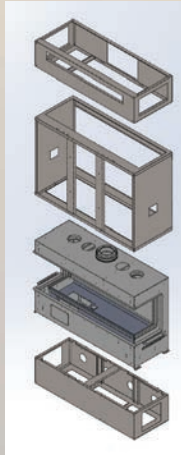
Always refer to the manual for complete installation instructions.
valorfireplaces.com/manuals





LX2 Corner Left with Driftwood and Reflective Glass liner, and overhead lighting (not shown).

HeatShift™ with 38" plenum.



The new Steel Framing Kit

Simplify your LX2's installation using our optional steel framing kit. The framing is specially built to help builders, architects and designers frame and install your LX2 with precision and ease.



Why choose a Valor®?

RADIANT HEAT

Like heat from the sun, **Valor®** fireplaces distribute radiant warmth directly to your living space. Radiant heat satisfies human comfort needs, using up to 25% less energy compared to traditional forced air systems. Valor warmth efficiently replaces the chill from cold windows and doors with steady, even heat to people and objects in the room.



PACIFIC NORTHWEST DESIGN, DEVELOPMENT & DISTRIBUTION

Locally owned and operated in the Pacific Northwest, every **Valor®** fireplace is designed, developed and manufactured exclusively for North America. With a proven product family history, Valor continues to introduce unique fireplaces that stand the test of time.

EASY CONTROL

Standard with every fireplace, our **ValorStat** remote gives you full control of your experience. Adjust the flame and heat to meet your desired comfort level as the room warms or as the outside temperature falls—truly a fireplace for all seasons.



THE COMFORT ZONE

Reduce your furnace's output of hot air into empty rooms and unused spaces.

Zone heating requires no ducting or forced air, and delivers radiant and convective warmth to the spaces you frequent the most. Where you want it—when you want it.



BURN CLEAN, ENGINEERED GREEN

Valor® specializes in the design of clean heat solutions for your home.

Our fireplaces use natural gas, the cleanest fireplace fuel you can burn, with the lowest particulate levels and lowest levels of greenhouse gases on the market.



PRODUCT VERSATILITY

Valor® products are extremely diverse in their application and design. Whether new construction or home renovation, we offer a wide range of options to help you select the right fireplace for your personal heating needs.



SAVINGS

Valor® designs innovative fireplaces that include many cost-saving features: for example, pilot flame that automatically turns off if your fireplace is inactive for over five days, saving energy and lowering overall home heating costs.

Keep forgetting to turn down your fireplace? Set the **ValorStat** to automatically turn down after six hours.



NO POWER, NO PROBLEM.™

If the power fails in the winter, your home can get cold fast.

Valor® fireplaces are fully functional heaters that don't require electricity. Our fireplaces provide the perfect mixture of radiant and convective heat, eliminating the need for a fan. No power, no problem.



NO FAN NECESSARY

We firmly believe that you shouldn't have to put up with the constant buzz of a fan to be warm. That's why we designed glowing fires to radiate heat and secondary heat exchangers to naturally circulate warm air by convection throughout the room. While a fan is an option, you'll likely find it unnecessary.



RELIABILITY

With over 100 years in the heating industry, we take pride in providing high-quality, safe products.

Every **Valor®** product undergoes extensive safety testing so it's no surprise that many customers own more than one Valor fireplace in their lifetime.



FIREPLACE SAFETY — USE RADIANT HEAT SAFELY

Fireplace surfaces, in particular the glass viewing window, are extremely hot during operation and will remain hot for a period of time after the fireplace is turned off. Contact with the hot glass can cause severe burns. Close adult supervision is required if there are young children, or at-risk individuals in the house. Included with your purchase, a **Valor®** barrier screen is recommended at all times. Install an approved after-market safety gate to keep toddlers, young children and at-risk individuals a safe distance from the fireplace.

For more information please visit valorfireplaces.com/safety.

⚠ WARNING

This product can expose you to chemicals including Benzene, which is known to the State of California to cause cancer and birth defects or other reproductive harm.

For more information go to www.P65Warnings.ca.gov.

Proudly made in North America

Copyright Miles Industries Ltd. 2018
Designed and manufactured by
Miles Industries.



Note: Natural gas, in its original state, contains Benzene.



Your Authorized Valor Dealer

