

Clearance to Combustibles

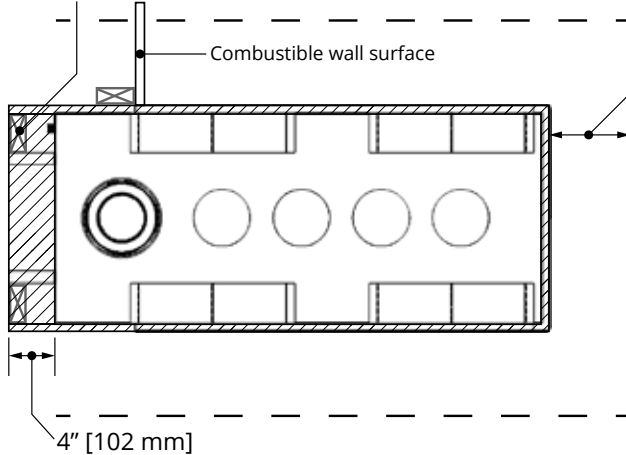


WARNING

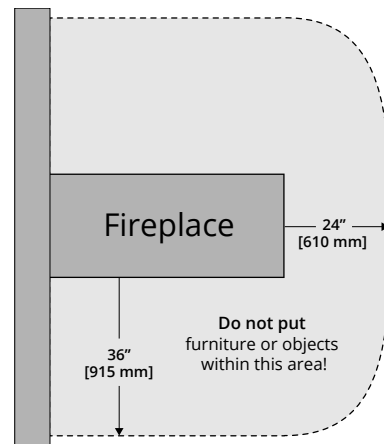
Ensure weight of wall above is **NOT** carried by the appliance.

Non-combustible material

4" clearance from appliance face to combustible wall (studs allowed as shown)



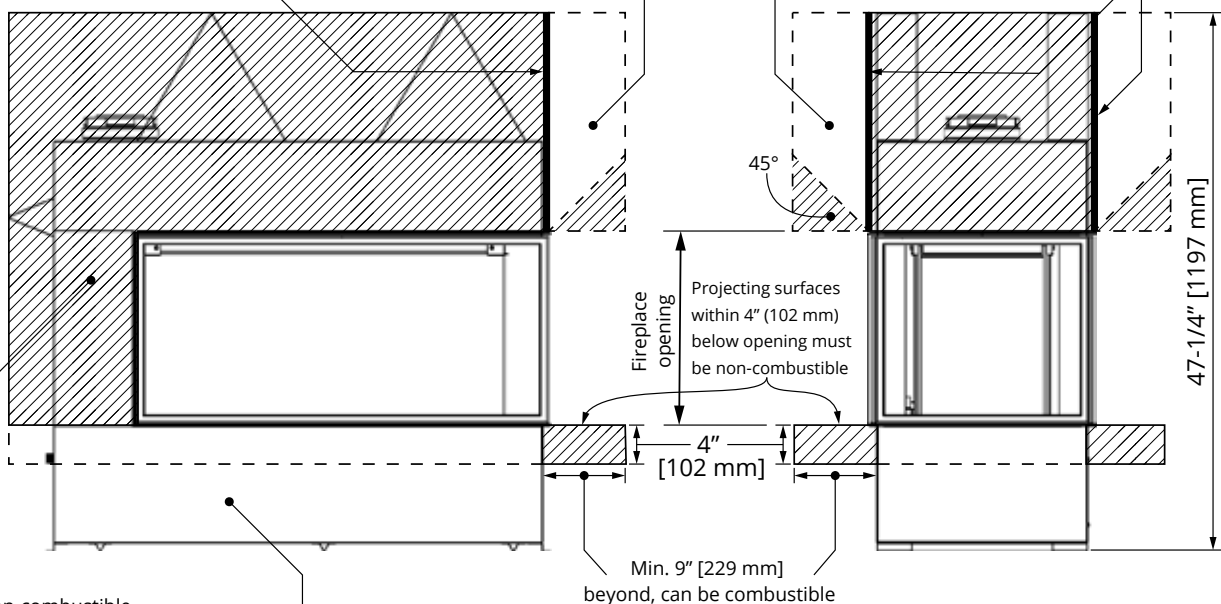
Framing/Finishing of projections/
Extensions around fireplace opening
must be non-combustible material to 9"



Non-combustible wall finish
here separating cavity from
combustible projections

Combustible projections allowed in this area provided area is separated
from the main cavity by non-combustible wall finish. Otherwise everything
below stand-off height and within cavity must be non-combustible.

Non-combustible wall finish
here separating cavity from
combustible projections



Only non-combustible material in contact with the appliance above bottom edge of opening

Combustible finishing materials **up to 1-1/4" (32 mm)** thickness allowed below opening height. Combustible projections **greater than 1-1/4" (32 mm)** must be kept min. 4" (102 mm) below opening.