

## How to Read the Venting Chart

The chart below applies to co-axial roof or wall termination.

1. Minimum 24-inch vertical pipe section required right at unit.
2. The total length of the vent pipe cannot exceed 40 feet.
3. The minimum vertical height with roof termination is 6 feet.
4. Any combination of rise and run can be used as long as they are within the allowable limits shown on the chart below.
5. A maximum of 4 x 90 degrees elbows—or equivalent (2 x 45 degrees = 90 degrees)—can

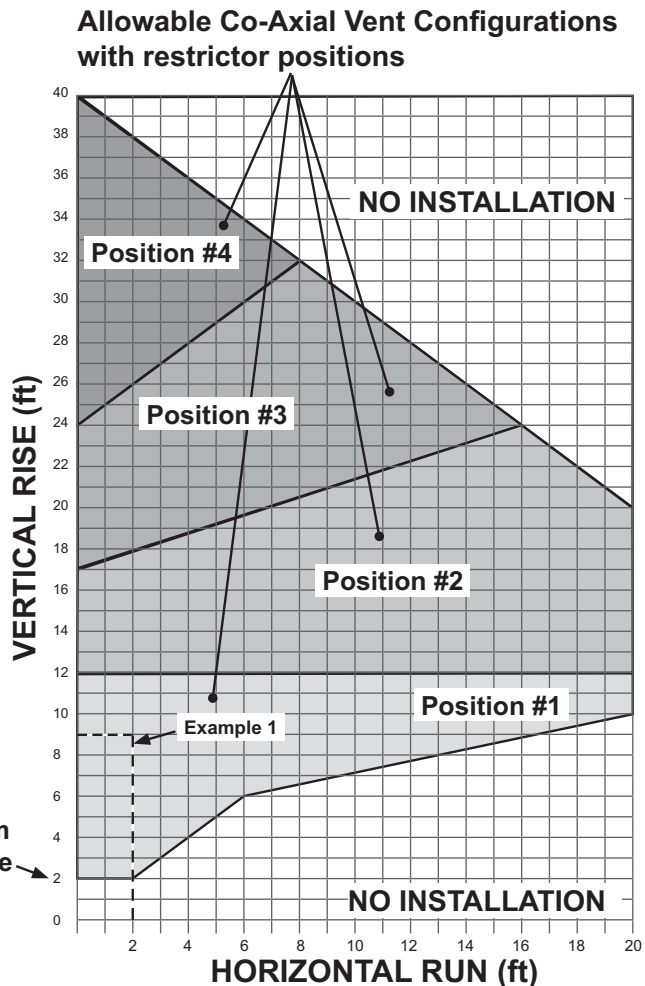
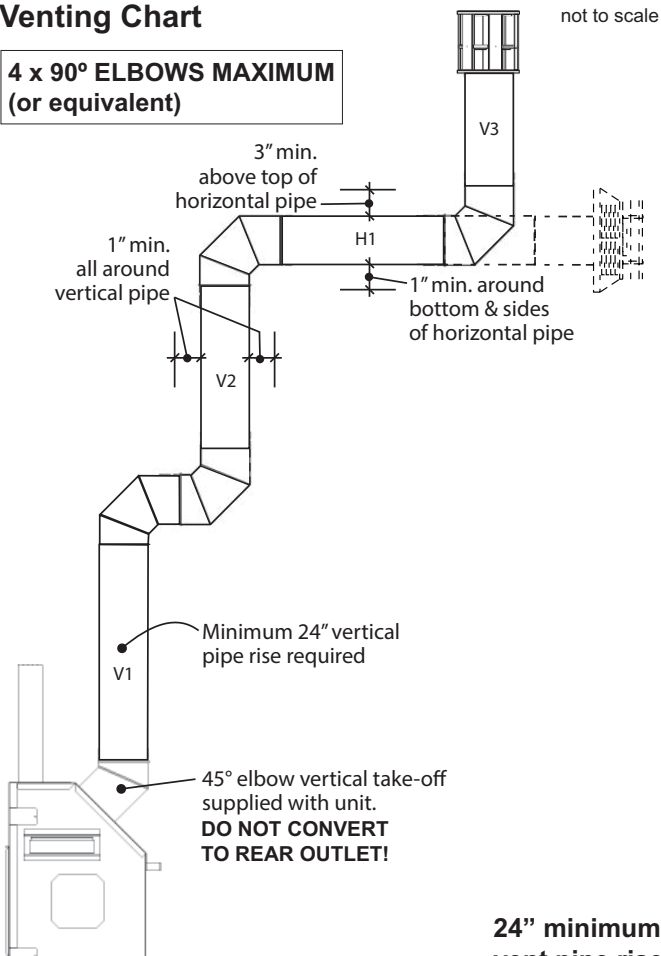
be used. Excludes the 45 degrees take-off elbow shipped with the appliance.

6. Each 90 degrees elbow installed on the horizontal plane is equivalent to a 3 feet horizontal pipe; therefore, 3 feet must be subtracted from allowable horizontal run. (45 degrees elbow is equivalent to 18 inches horizontal pipe.)
7. All horizontal pipe runs must be graded 1/4 inch per foot upwards in the direction of the exhaust flow. The final pipe length, when terminating through the wall may be graded downwards slightly to prevent water migration.
8. A restrictor adjustment is required for most installations having a vertical rise—see next section.

**Note:** The restrictor is shipped installed at the exhaust exit of the firebox.

## Venting Chart

**4 x 90° ELBOWS MAXIMUM  
(or equivalent)**



Example 1

$$V \text{ Value} = V1 (4') + V2 (3') + V3 (2') = 9'$$

$$H \text{ Value} = H1 (2') = 2'$$

Restrictor position # 1 required

24" minimum  
vent pipe rise