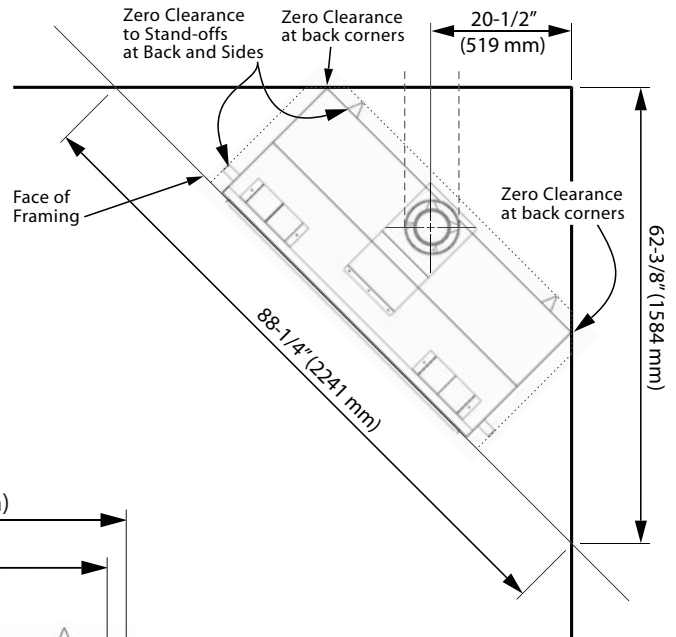
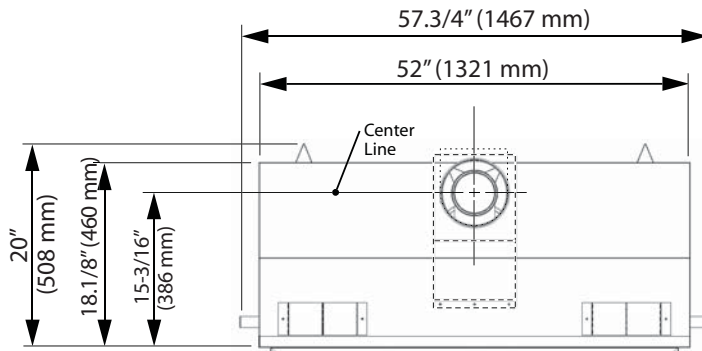


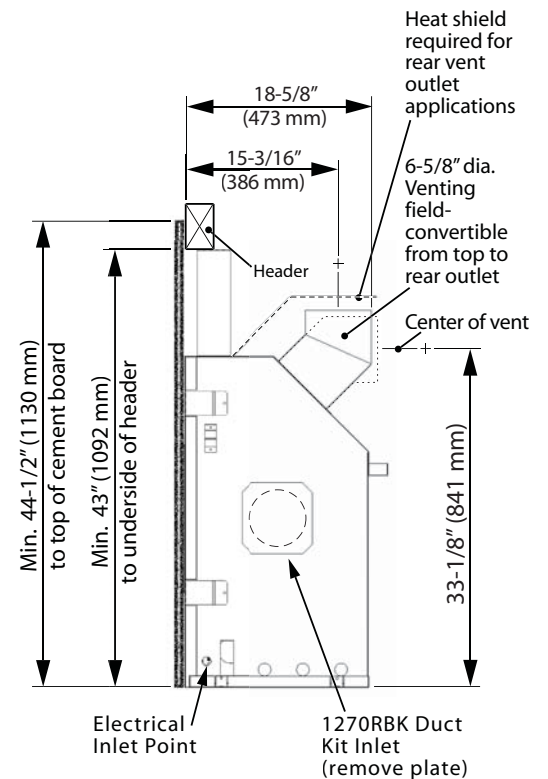
Dimensions



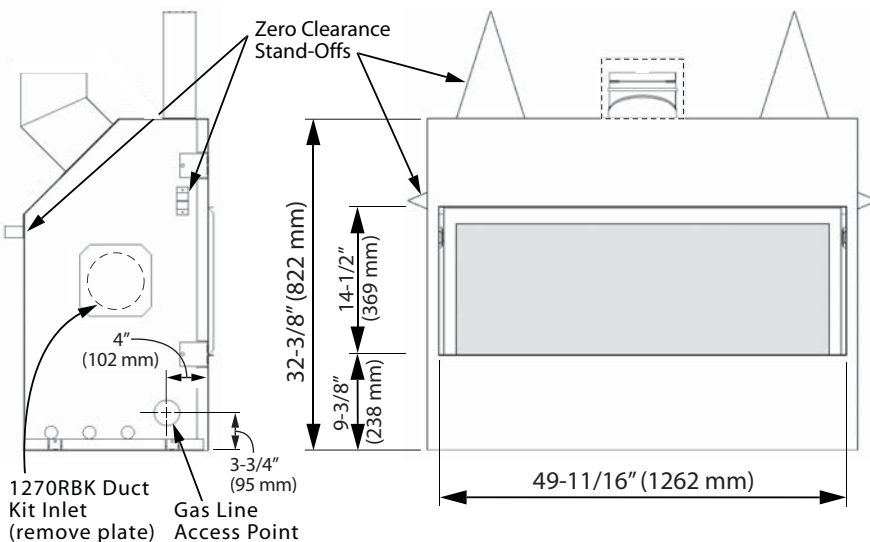
Corner Dimensions



Top View



Right Side View



Left Side View

Front View