

## DV ZC Gas Fireplace for Outdoor use 1500INO (NG) & 1500IPO (LPG) Installation & Owner's Manual

# DANGER



**HOT GLASS WILL  
CAUSE BURNS.**

**DO NOT TOUCH GLASS  
UNTIL COOLED.**

**NEVER ALLOW CHILDREN  
TO TOUCH GLASS.**

A barrier designed to reduce the risk of burns from the hot viewing glass is provided with this appliance and shall be installed for the protection of children and other at-risk individuals.

**INSTALLER**  
Leave this manual  
with the appliance.  
**CONSUMER**  
Retain this manual  
for future reference.

This manual contains instructions to install the **ENGINE ONLY**. A front or trim kit is **REQUIRED** to install the engine. A barrier screen is provided with the front or trim kit. **Refer to the manual supplied with the front or trim for installation.**


### WARNING

#### **FIRE OR EXPLOSION HAZARD**

Failure to follow safety warnings exactly could result in serious injury, death, or property damage.

- Do not store or use gasoline or other flammable vapors and liquids in the vicinity of this or any other appliance.
- **WHAT TO DO IF YOU SMELL GAS**
  - Do not try to light any appliance.
  - Do not touch any electrical switch; do not use any phone in your building.
  - Leave the building immediately.
  - Immediately call your gas supplier from a neighbor's phone. Follow the gas supplier's instructions.
  - If you cannot reach your gas supplier, call the fire department.
- Installation and service must be performed by a qualified installer, service agency or the gas supplier.

### WARNING: FOR OUTDOOR USE ONLY.

 **WARNING:** Improper installation, adjustment, alteration, service or maintenance can cause injury or property damage. Read the installation, operating, and maintenance instructions thoroughly before installing or servicing this equipment.

This appliance is only for use with the type of gas indicated on the rating plate. This appliance is not convertible for use with other gases, unless a certified kit is used.

**Massachusetts:** The piping and final gas connection must be performed by a licensed plumber or gas fitter in the State of Massachusetts. Also, see Carbon Monoxide Detector requirements on page 13.

Ce guide est disponible en français sur demande.

Designed and Manufactured by  
**Miles Industries Ltd.**  
North Vancouver, BC, CANADA  
[www.valorfireplaces.com](http://www.valorfireplaces.com)

# Table of Contents

## FOR THE OWNER




Safety Precautions .....	3
Safety and Your Fireplace.....	4
Owner's Information.....	5
Operating Your Fireplace for the First Time.....	5
Cleaning AROUND Your Fireplace .....	6
Cleaning Your Fireplace .....	6
Checking Pilot and Burner Flames .....	8
Replacing Batteries .....	8
Locating Lighting, Operation and Rating Information Card.....	9
Servicing Your Fireplace.....	9
Operating Your Fireplace.....	9
How to Turn Your Fireplace OFF (including pilot) .....	10
How to Ensure Your Fireplace Cannot Be Turned ON Inadvertently .....	10
Decommission During Off-Season .....	10
Options.....	11
Lighting Instructions.....	12
Warranty.....	53

## FOR THE QUALIFIED INSTALLER

Commonwealth of Massachusetts.....	13
Specifications .....	15
Overview.....	16
Dimensions .....	17
Location.....	18
Mantel & Hearth Clearances .....	20
Framing Requirements .....	22
Venting.....	26
Co-axial Venting.....	27
Installation Planning .....	32
Installation.....	32
Unpack Appliance.....	32
Fit Standoffs .....	32
Remove Heat Shield.....	33
Convert from Top to Rear Outlet (if required) .....	33
Fit Appliance into Framing .....	33
Plan Wall Finish .....	34
Remove Window .....	35
Set-up Gas Supply .....	36
Install Liners .....	37
Install Driftwood Kit 1505DWK .....	38
Install Decorative Glass Murano 1500DGM .....	40
Install Decorative Glass Set 1500DGS.....	42
Install Rocks & Shale Set 1514RSS.....	44
Refit Window .....	46
Install Remote Battery and Wall Switch Kit RBWSK (required).....	47
Check Operation.....	49
Set Aeration (if necessary) .....	49
Install Trim and Barrier Screen .....	49
Wiring Diagram .....	50
Approved Venting Components.....	51
Warranty .....	53
Spare Parts.....	54

The information contained in this installation manual is believed to be correct at the time of printing. Miles Industries Ltd. reserves the right to change or modify any information or specifications without notice. Miles Industries Ltd. grants no warranty, implied or stated, for the installation or maintenance of your heater, and assumes no responsibility for any consequential damage(s).

 <p><b>NATIONAL FIREPLACE INSTITUTE</b> <b>NFI</b> <b>CERTIFIED</b> <a href="http://www.nficertified.org">www.nficertified.org</a></p>	<p>We recommend that our gas hearth products be installed and serviced by professionals who are certified in the U.S. by the National Fireplace Institute® (NFI) as NFI Gas Specialists.</p>
---	--

 <h2>DANGER</h2>	<h3>CARBON MONOXIDE HAZARD</h3> <p>This appliance can produce carbon monoxide which has no odor.</p> <p>Using it in an enclosed space can kill you.</p> <p>Never use this appliance in an enclosed space such as a camper, tent, car or home.</p>	<p>Warranty Card at the back of this manual.</p> 
		



## Safety Precautions

**READ** and **UNDERSTAND** all instructions carefully before starting the installation. **FAILURE TO FOLLOW** these installation instructions may result in possible fire hazard and will void the warranty.

Prior to the first firing of the fireplace, **READ** the Owner's Information section of this manual.

**DO NOT USE** this appliance if any part has been under water. Immediately, **CALL** a qualified service technician to inspect the unit and to replace any part of the control system and any gas control that has been under water.

### **THIS UNIT IS NOT FOR USE WITH SOLID FUEL.**

Installation and repair should be **PERFORMED** by a qualified service person. The appliance and venting system should be **INSPECTED** before initial use and at least annually by a professional service person. More frequent cleaning may be required due to excessive lint from carpeting, bedding, etc. It is **IMPERATIVE** that the unit's control compartment, burner, and circulating air passageways **BE KEPT CLEAN** to provide for adequate combustion and ventilation air.

Always **KEEP** the appliance clear and free from combustible materials, gasoline, and other flammable vapors and liquids.

**NEVER OBSTRUCT** the flow of combustion and ventilation air. Keep the front of the appliance **CLEAR** of all obstacles and materials for servicing and proper operation.

This unit **MUST** be used with a vent system as described in this installation manual. **NO OTHER** vent system or components **MAY BE USED**.

This gas fireplace and vent assembly **MUST** be vented directly to the outside and **MUST NEVER** be attached to a chimney serving a separate solid fuel burning appliance. Each gas appliance **MUST USE** a separate vent system. Common vent systems are **PROHIBITED**.

**INSPECT** the external vent cap on a regular basis to make sure that no debris, plants, trees, shrubs are interfering with the air flow.

**TURN OFF** the gas before servicing this appliance. It is recommended that a qualified service technician perform an appliance check-up at the beginning of each heating season.

**DO NOT** use this heater as a temporary source of heat during construction.

**State of California. Proposition 65 Warning.** Fuels used in gas, wood-burning or oil fired appliances, and the products of combustion of such fuels, contain chemicals known to the State of California to cause cancer, birth defects and other reproductive harm. California Health & Safety Code Sec. 25249.6.

Due to the high temperature, the appliance should be **LOCATED** out of traffic areas and away from furniture and draperies.

Clothing or flammable material **SHOULD NOT BE PLACED** on or near the appliance.

This appliance is a **DOMESTIC ROOM-HEATING APPLIANCE**. It must not be used for any other purposes such as drying clothes, etc.

**DO NOT** place furniture or any other combustible household objects within 36" of the fireplace front.

**BE CAREFUL** not to put any decorating objects sensitive to heat to close above or around the fireplace as it gets very hot when operating.

The glass door assembly **MUST** be in place and sealed before the unit can be placed into safe operation.

**DO NOT OPERATE** this appliance with the glass door removed, cracked, or broken. Replacement of the glass door should be performed by a licensed or qualified service person. **DO NOT** strike or slam the glass door.

The glass door assembly **SHALL ONLY** be replaced as a complete unit, as supplied by the fireplace manufacturer. **NO SUBSTITUTE** material may be used.

**DO NOT USE** abrasive cleaners on the glass door assembly. **DO NOT ATTEMPT** to clean the glass door when it is hot.

**A BARRIER DESIGNED TO REDUCE THE RISK OF BURNS** from the hot viewing glass is provided with this appliance and **SHALL BE INSTALLED** for the **PROTECTION OF CHILDREN** and other **AT-RISK INDIVIDUALS**.

If the barrier becomes damaged, the barrier **SHALL BE REPLACED** with the **MANUFACTURER'S BARRIER** for this appliance.

Any safety screen, guard or barrier removed for servicing the appliance, **MUST BE REPLACED** prior to operating the appliance.

Children and adults should be **ALERTED** to the hazards of high surface temperature and should **STAY AWAY** to avoid burns or clothing ignition.

**YOUNG CHILDREN** should be **CAREFULLY SUPERVISED** when they are in the same room as the appliance. Toddlers, young children and others may be susceptible to **ACCIDENTAL CONTACT BURNS**. A physical barrier is recommended if there are at-risk individuals in the house. To restrict access to a fireplace or stove, **INSTALL AN ADJUSTABLE SAFETY GATE** to keep toddlers, young children and other at-risk individuals out of the room and away from hot surfaces.

# ! Safety and Your Fireplace

## Please Read and Carefully Follow all Safety Warnings and Operating Instructions Contained in Your Owner's Manual

(Replacement Manuals are available by contacting our service department at 1-800-468-2567 or visit [www.valorfireplaces.com](http://www.valorfireplaces.com)).

### Please Follow These Important Child Safety Precautions and Recommendations,

- Parts of your Valor Fireplace become **extremely hot** while in operation.
- The glass viewing **window temperature can exceed 500 F** at full capacity. Momentary contact with a hot glass surface can **cause a severe burn**, even if the fireplace is operating at reduced heating capacity.
- **The glass window will remain hot** for an extended period of time after the fireplace has been turned off. Ensure that children are prevented from touching the fireplace during the cool down period.
- **Toddlers and Young Children must be closely supervised at all times** when they are in the same area as the operating fireplace. They lack full awareness of danger and rely on your protection. Toddlers, in



particular, do not have the motor skills and response reflexes to withdraw in the event of accidental contact with a hot surface.

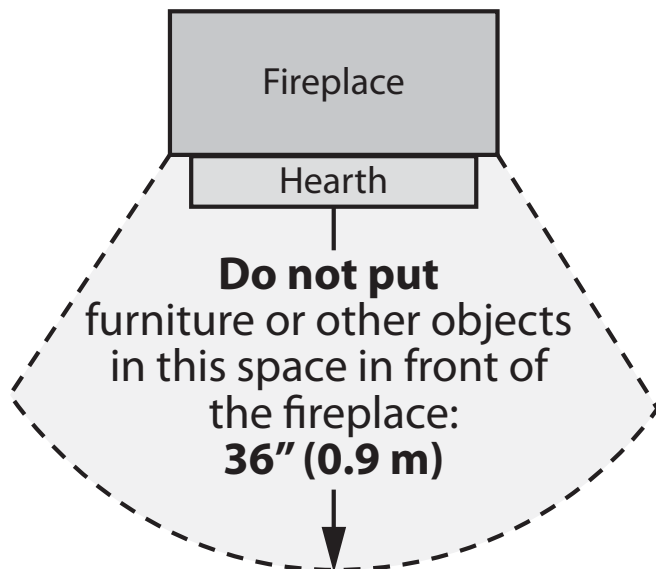
- **A physical barrier is strongly recommended** if there are young children, or at-risk individuals in the house. Install an approved after-market safety gate to keep toddlers, young children and other at-risk individuals a safe distance from the fireplace.
- **Ensure that the fireplace, including the pilot light, is completely turned off** when children are present and close supervision and safety barriers are not available—see pages 9–10 of *Owner's Information* section.
- If the fireplace is not going to be used for any extended period of time, **remove the batteries from the battery holder**. It is recommended that batteries are replaced annually in any event—see pages 8–9.

**⚠ WARNING**

**EXTREMELY HOT!!!**

- **READ the SAFETY information on pages 3 and 4 of this manual BEFORE operating your gas heater.**
- Some parts of your fireplace are **EXTREMELY HOT**, particularly the **GLASS** window.
- **DO NOT LET CHILDREN** touch the glass or any parts of your fireplace **even after it is turned off** as it is still hot.
- **USE THE BARRIER SCREEN** provided with the trim or a **GATE** to reduce the risk of severe burns.
- **HOT WALL SURFACES!** The wall directly above the fireplace is **VERY HOT** when the fireplace heats. It is constructed of non-combustible materials and although safe, it may reach temperatures **in excess of 250° F** depending on choice of trims. **DO NOT TOUCH IT!**
- Some materials or items, although safe, may discolor, shrink, warp, crack, peel, and so on because of the heat produced by the fireplace. **AVOID PLACING** candles, paintings, photos, and other items **SENSITIVE TO HEAT** within 36 inches (0.9 m) around the fireplace.
- Solid wood flooring in front of the fireplace (if allowed) may shrink during the heating season due to heat.

**Performance of LPG appliances may be affected by the quality of commercial gas supplied in your area.**



**Thank You ...**

For purchasing a Valor by Miles Industries. Your new radiant gas heater is a technical appliance that must be installed by a qualified dealer. Each Valor fireplace is fully tested during the production process for your safety and comfort.

Your unit has been professionally installed by:

Dealer Name: \_\_\_\_\_

Phone Number : \_\_\_\_\_

**Should you encounter an operational problem, call your dealer immediately.**

**Do not try to repair the unit as you may cause an injury or damage the fireplace.**

**This manual and particularly the preceding and following pages contain very important information regarding the safe operation of your fireplace as well as maintenance instructions.**

**Read carefully BEFORE operating your fireplace and pay special attention to the SAFETY WARNINGS.**

A heating gas appliance does require safe handling and for this reason, we very strongly recommend that no children be allowed to touch the fireplace and its controls at all times. **Do install a screen or barrier in front of the fireplace to protect your children against severe burns.**

**Operating Your Fireplace for the First Time**

When operating your new fireplace for the first time, some vapors may be released due to the burning of curing compounds used in the manufacture of the appliance. They may cause a slight odor and could cause the flames to be the full height of the firebox, or even slightly higher, for the first few hours of operation.

It is also possible that these vapors could set off any smoke detection alarms in the immediate vicinity. These vapors are quite normal on new appliances. We recommend opening a window to vent the room. After a few hours use, the vapors will have disappeared and the flames will be at their normal height.

**Flame Supervision Device**

For your safety, this appliance is fitted with a flame supervision device which will shut-off the gas supply if, for any reason, the pilot flame goes out. This device incorporates a fixed probe, which senses the heat from the pilot flame. If the probe is cool, the device will prevent any gas flow unless manually lighting the pilot. See full lighting instructions on page 12 of this manual.

## Cleaning AROUND Your Fireplace

Your Valor outdoor gas fireplace will tolerate moderate amounts of water **on an occasional basis** but is not designed to be waterproof.

### CAUTION

Be careful when using a hose or pressure washing to clean the areas around the fireplace.

**NEVER SPRAY WATER DIRECTLY AT THE FIREPLACE!**

Ensure the fireplace is turned off - including pilot - before performing any cleaning around it. Use plastic sheeting to protect the fireplace front and trim from direct spray while cleaning. Ensure all plastic is removed before operating fireplace.

## Cleaning Your Fireplace

### WARNING

**DO NOT TOUCH THE GLASS WHILE IT IS HOT!**  
Let the fireplace cool first before cleaning it.

### Important - Glass cleaning - Mineral deposits

One of the by-products of the combustion process in a gas appliance is a mineral which can show up as a white film on the ceramic glass of the viewing door.

The composition of the deposit varies with location and time. It is believed to be associated with the varying sulfur content of the gas. You may have the problem intermittently.

We have consulted with ceramic glass manufacturers and they cannot offer a definitive solution to this problem. Dealers have tried various cleaning products with varying results. The following are recommendations only and are not meant to guarantee results.

**NOTE: This is a problem beyond Miles Industries' control and is not covered under warranty.**

- Clean the glass regularly as soon as you notice the buildup (white film). If the film is left for a longer period of time, it will etch into the glass. It is then much harder, if not impossible, to remove.
- **NEVER use an abrasive cleaner or ammonia-based cleaner on the ceramic glass.** Any abrasion of the surface has the immediate effect of compromising the strength of the glass. An emulsion type cleaner is recommended.
- Use a soft damp cloth to apply the cleaner. Dry the glass with a soft, dry, preferably cotton cloth. Most paper towels and synthetic materials are abrasive to ceramic glass and should be avoided.

- Our dealers have had good results from the products listed below. We cannot, however, guarantee the results of these products.
  - ◊ Brasso, Polish Plus by Kelkem, Cook Top Clean Creme by Elco, White Off by Rutland, Turtle Wax

### **Do not clean the glass while it is hot!**

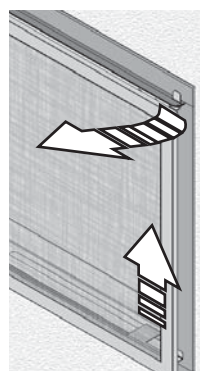
Always securely replace the window and the barrier screen before lighting.

**If broken, the glass pane may only be replaced as a complete window unit as supplied by the manufacturer.**

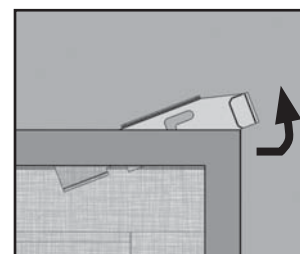
**If the barrier becomes damaged, the barrier shall be replaced with the manufacturer's barrier for this appliance.**

### To remove the window for cleaning:

1. Remove the barrier screen.
  - a) **1555 1" trim:** slide the screen up, unhook the bottom tabs and disengage the top tabs.
  - b) **1550 3.5" trim:** slide the top lock-in levers outward and rotate them up to unhook the screen top; lift the screen up to unhook the bottom tabs.

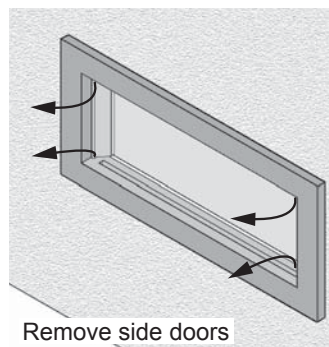


1555 1" Trim

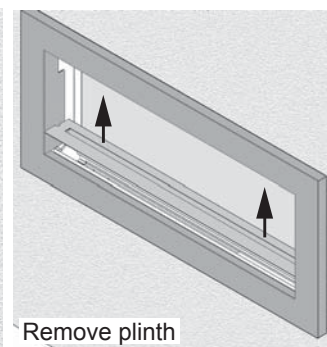


1550 3.5" and 1570 Trims

2. Remove the side doors and the plinth.



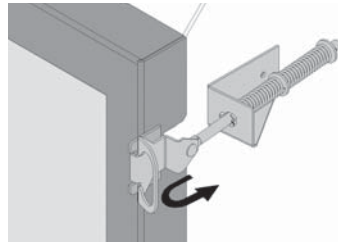
Remove side doors



Remove plinth

## Owner's Information

- Find the levers on each side of the window towards the top. Using your finger, pull the levers towards you and unhook them from the window frame brackets.



**Spring Loaded Window Levers**

- Gently pull the top of the window outward.
- Lift the window out of its bottom railing and set it aside in a safe place to avoid damage.

**Clean the window** following the guidelines in this section.

**Clean the 1550 and 1555 steel trims** with mild soap and warm water. Any alcohol/solvent base cleaner will weaken the coating and damage it.

**Clean the barrier screen** dusting it with a soft brush.

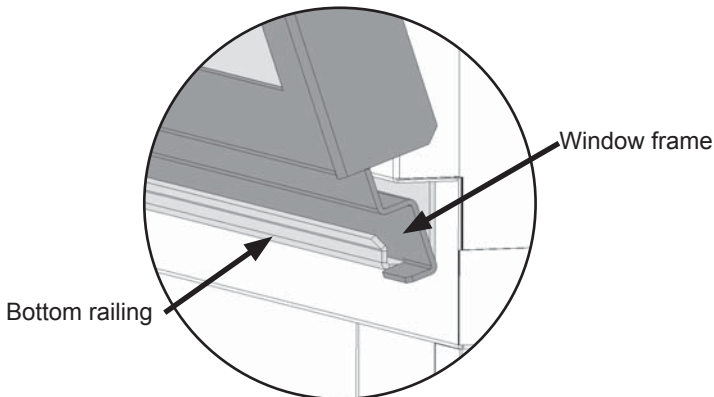
**Clean the firebox** ceramic logs/rocks and walls dusting them with a soft brush. Dust can also be removed from the burner using a soft brush after removing the ceramic logs. **When cleaning, make sure that no particles are brushed into the slots of the burner.**

### **⚠ WARNING**

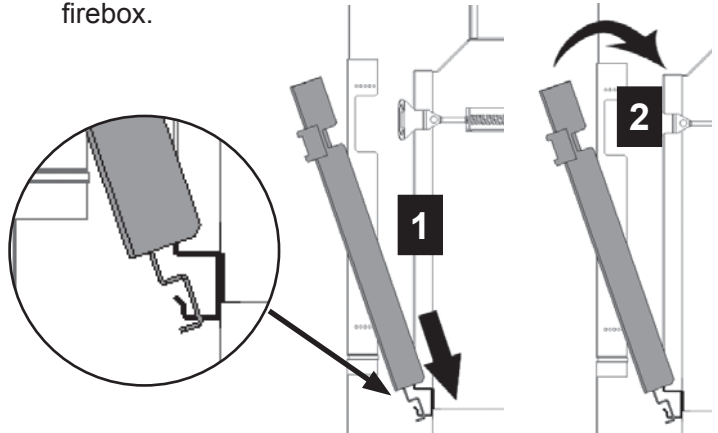
**CHOKING HAZARD!** Ensure that the fireplace area is clear of fireglass or vermiculite particles as these could be ingested by small children. Vacuum thoroughly around the fireplace area after cleaning.

### To refit the window:

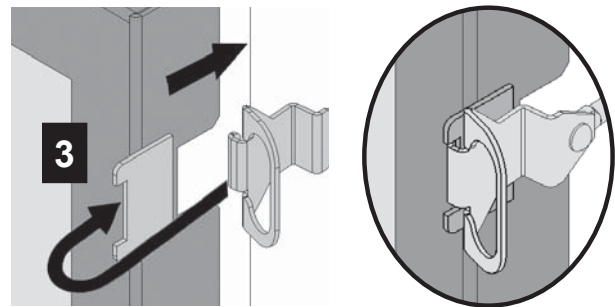
- Place the window in its bottom railing. **Ensure to remove any vermiculite or glass particles in the railing before installing the window.**



- Push the top of the window frame against the firebox.



- While you hold it, pull the side levers back into the window brackets on each side.



- Apply firm hand pressure around the window frame to ensure the window is sealed tight against the firebox.

### **⚠ DANGER**

The window unit must be correctly installed, fastened and sealed after servicing or serious bodily injury and/or damage to the appliance may result.

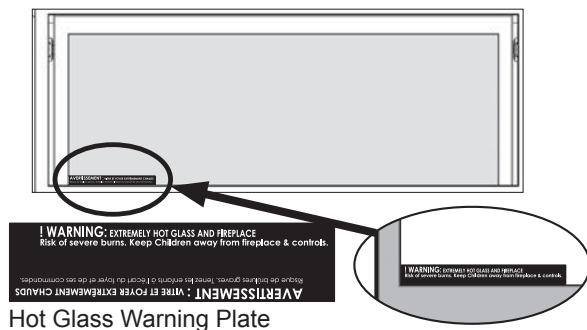
To ensure a safe operation:

- Double-check that the bottom of the window frame is correctly installed in the bottom support railing;
- Verify that the levers are hooked properly to the window tabs then;
- Pull out the top of the window and release it to insure the springs return it;
- Ensure the window is sealed before operation.

### **⚠ WARNING**

Failure to install the window correctly can leak carbon monoxide, affect the performance of the fireplace, damage components, cause overheating resulting in dangerous conditions. Damage caused by incorrect window installation is not covered by the Valor warranty.

5. If the Hot Glass Warning plate has been removed from the front lower corner of the window, reinstall it by sliding it between the glass and the frame as indicated.



6. Reinstall the barrier screen on the trim.

**! WARNING**  
FOR SAFETY PURPOSE, ensure the barrier screen is re-installed on the fireplace front after maintenance.

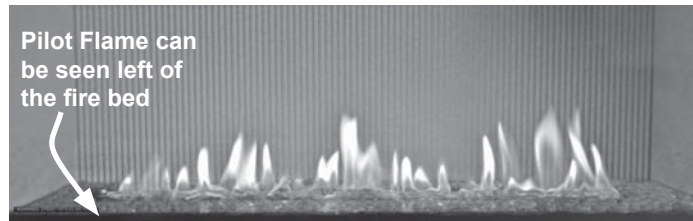
- a) **1555 1" trim:** Insert the screen's top tabs in the slots in the convection baffle then rest the screen bottom tabs on the edge of the opening in the plinth to lock it in position.
  - b) **1550 3.5" trims:** Hook the bottom of the screen to the bottom edge of the trim's front plate, then, with the top levers up, push the screen against the fireplace. Rotate the levers down to hook them up to the trim and slide them inwards to secure them.
7. Verify that the screen is properly hooked to the trim and secure.

### Checking Pilot and Burner Flames

A periodic check of the pilot and burner flames should be made. Check after the fire has been on for at least 30 minutes. The pilot flame must cover the tip of the thermocouple probe. The main burner flame pattern will vary from appliance to appliance depending on the type of installation and climatic conditions.



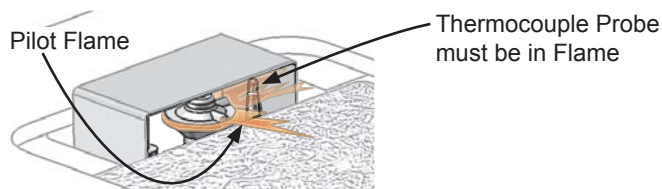
Long Beach Driftwood Kit Correct Flame Picture



Decorative Glass Murano Correct Flame Picture  
Decorative Glass Correct Flame Picture



Rock & Shale Kit Correct Flame Picture



The appliance area must always be kept clear and free from combustible materials, gasoline and other flammable vapors and liquids.

Inspect the vent terminal outdoors regularly to make sure that snow, trees, bushes, leaves, or other objects do not obstruct it.

Examine the vent system and terminal regularly. We recommend annually.

### Replacing Batteries

**! WARNING**  
DO NOT ATTEMPT TO CHANGE THE BATTERIES WHILE THE FIREPLACE IS STILL HOT! Let the fireplace cool first before touching it.

**CAUTION**  
DO NOT USE a screwdriver or other metallic object to remove the batteries from the battery holder! This could cause a short circuit.

**BEFORE** changing the batteries, turn the fireplace off (including pilot).

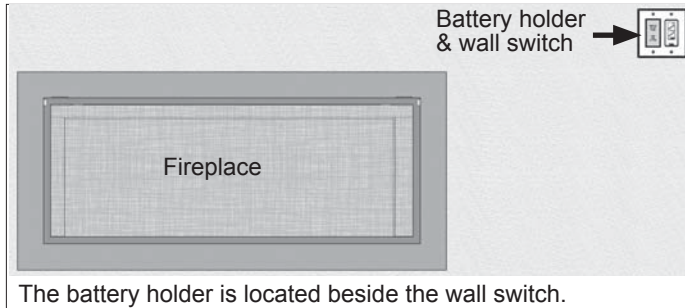
The appliance uses four 1.5 V AA **alkaline** batteries located next to the wall switch. Batteries should last one to two seasons, depending on usage. Removing the batteries in the off-season will extend the battery life.



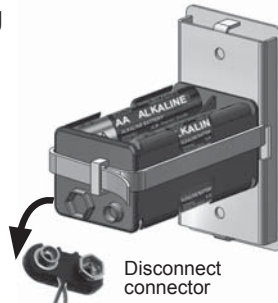
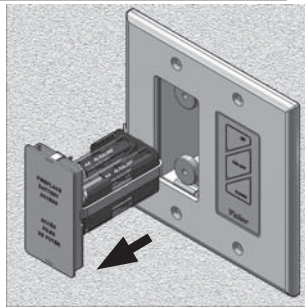
# Owner's Information

## To replace the batteries:

The battery compartment is located next to the wall switch in the vicinity of the fireplace. Its front plate is attached with magnets to the wall switch box.



1. Pull on the plate next to the wall switch to access the batteries.
2. Disconnect the snap connector from the battery holder. **Do not pull the connector by the wire!**
3. Replace the batteries with 4 AA **alkaline** batteries orienting them as indicated inside the holder.
4. Reconnect the snap connector to the battery holder.
5. Put the battery holder back in its place beside the wall switch and snap it in place.

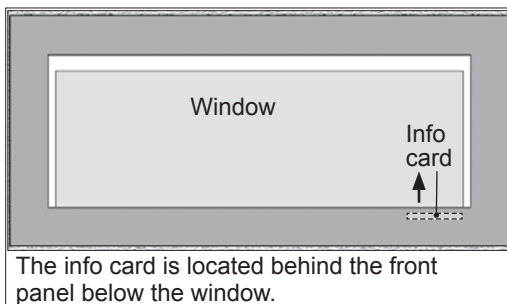


## Locating Lighting, Operation and Rating Information Card

### **⚠ WARNING**

**DO NOT ATTEMPT TO TOUCH THE INFORMATION CARD WHILE THE FIREPLACE IS STILL HOT!** Let the fireplace cool first before touching it.

The Lighting, Operation and Rating information is located on a card at the right hand side of the fireplace opening. The card is attached under the plinth.



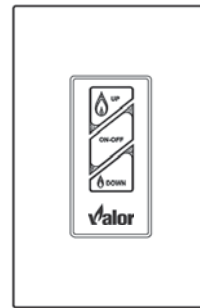
To access the card, remove the barrier screen, side doors and the plinth. Grab the card and pull it out. There is important information on both sides of the card.

## Servicing Your Fireplace

If any attention is required for your appliance, contact your supplier quoting the model number. It will be helpful if the appliance's serial number can also be quoted. This number is on the rating plate. The replacement parts are shown at the end of this manual. Please always quote the part number and description when requesting spare parts.

## Operating Your Fireplace

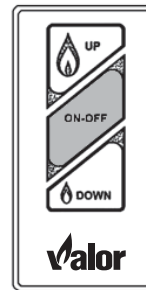
Your fireplace is controlled by the Wall Switch.



The Wall Switch controls your fireplace. You can turn the pilot on or off and you can increase or decrease the flame height.

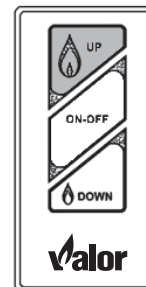
Note that there is no thermostatic and programming functions with the wall switch.

### TO TURN APPLIANCE ON and OFF

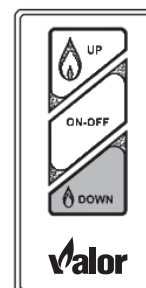


- Press ON-OFF button once to light pilot. Press again to shut of pilot.

### TO ADJUST FLAME HEIGHT



- Press and hold large flame button to gradually increase flame height.



- Press and hold small flame button to gradually decrease flame height.

## Owner's Information

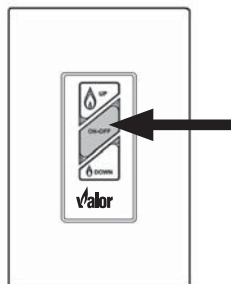
### How to Turn Your Fireplace OFF (including pilot)

Familiarize yourself with the wall switch operation before using your fireplace.

Press and hold the ON/OFF button for a second.

If the flames are on, they go down and you hear the valve motor wind down. You hear a clunk and a beep indicating that the valve has received the signal from the control.

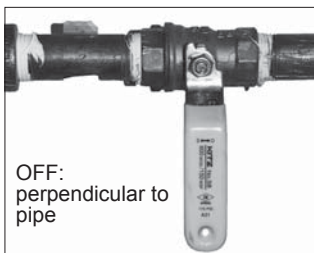
As well, familiarize yourself with the gas shut-off valve location in your house. As indicated below, the gas is running when the handle is parallel with the pipe. The gas is off when the handle is perpendicular with the pipe.



Wall Switch



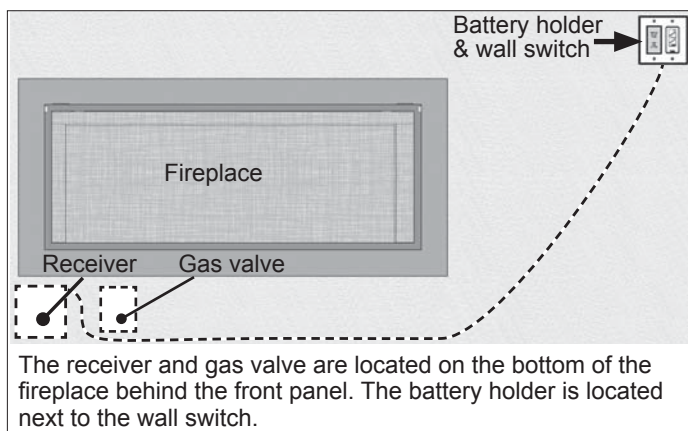
ON: parallel to pipe



OFF:  
perpendicular to  
pipe

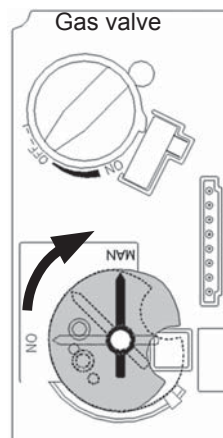
### How to Ensure Your Fireplace Cannot Be Turned ON Inadvertently

You can use one of the two following methods to ensure that your fireplace will not turn on when you don't want it on.



First, ensure your fireplace is turned off—including the pilot—and cold **BEFORE** going ahead.

- Turn the dial on the gas valve from the ON position to the MAN position as shown. Turning the dial to MAN (arrow up) will ensure that the main burner can not come on. The pilot will remain on if it is lit.



- Alternately, remove all batteries from the battery holder or disconnect the battery holder from the receiver.

### Automatic Shut-Off (in certain conditions)

Your fireplace's control is equipped with an automatic shut-off mechanism.

**Low batteries in the battery holder.** With low battery power in the battery holder the system shuts off completely.

**No change in flame height.** Your fireplace will turn down to pilot if there is no change in flame height for a period of 6 hours.

**No change in pilot.** The pilot shuts off completely if it's been continually on without any change for a period of 5 days.

### Decommission During Off-Season

We recommend decommissioning your outdoor fireplace during the off-season when it will not be used for an extended period. Decommission your fireplace by removing the batteries from the battery holder and turning the gas shut-off valve to the "off" position.

Upon ensuring the fireplace cannot be turned on you can then apply a protective cover over the front of the fireplace to help preserve the finish and further protect the appliance from weather.

**Note: Do not operate your outdoor fireplace during cold weather below freezing point (32°F, 0°C).**

## Options

**Required Kits\*****Fuel Beds** (choose one)

- 1500DGS—Decorative Glass Set
- 1505DWK—Driftwood Kit
- 1510DGM—Decorative Glass Murano
- 1514RSS—Rock and Shale Set

**Ceramic Liners** (choose one)

- 1515FBL—Linear Fluted Black Liner Set
- 1520FSL—Linear Fluted Sand Liner Set
- 1525RGL\*\*—Linear Reflective Glass Liner Set  
(\*Add 1725RGL-3 Glass Retainer Kit)

**Trims** (choose one)

- 1550—Linear 3-1/2" Surrounds with Barrier Screen  
4003282
  - 1550LSB—Black
  - 1550LSZ—Bronze
  - 1550LSP—Nickel
- 1555LFB—Linear 1" Finishing Trim Black with Barrier  
Screen 4003989

**Note:** Exposure to outdoor UV light will cause some plated and painted finishes to fade over time. This fading is unavoidable and not covered under warranty.

To minimize fading, locate the fireplace away from direct sunlight. Decommissioning and covering the fireplace over the off-season will also prolong the finish.

**Optional Accessories\*****Conversion Kits**

- 1500PGK—Conversion Kit to Propane Gas
- 1500NGK—Conversion Kit to Natural Gas

**Other Accessories**

- 1506DRK—Additional rocks for Driftwood Kit

**Hearth Gate**

Hearth gates such as Cardinal's VersaGates are available at retail stores carrying safety products for children.

\*Information accurate at the time of printing and subject to change without notice.

# Lighting Instructions

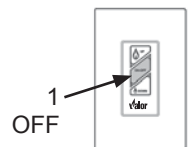
## FOR YOUR SAFETY, READ BEFORE LIGHTING

**WARNING: If you do not follow these instructions exactly, a fire or explosion may result causing property damage, personal injury or loss of life.**

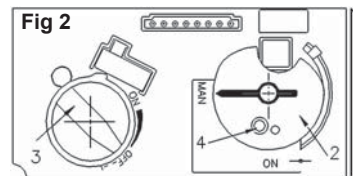
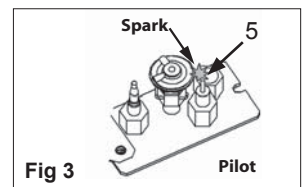
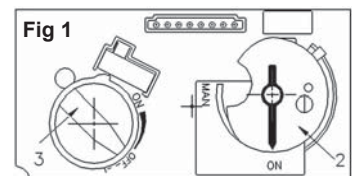
- A. This appliance has a pilot which must be lighted by hand or wall switch. Follow these instructions exactly. To save gas, turn the pilot off when not using the appliance for a prolonged period of time.
- B. **BEFORE LIGHTING**, smell all around the appliance area for gas. Be sure to smell next to the floor because some gases are heavier than air and will settle on the floor.  
**WHAT TO DO IF YOU SMELL GAS**
  - Do not try to light any appliance.
  - Do not touch any electric switch; do not use any phone in your building.
  - Immediately call your gas supplier from a neighbor's phone. Follow the gas supplier's instructions.
  - If you cannot reach your gas supplier, call the fire department.
- C. Use only your hand to push in or turn the control knobs. Never use tools. If the knobs will not push in or turn by hand, don't try to repair them; call a qualified service technician. Force or attempted repair may result in a fire or explosion.
- D. Do not use this appliance if any part has been under water. Immediately call a qualified service technician to inspect the appliance and to replace any part of the control system and any gas control, which has been under water.

## LIGHTING INSTRUCTIONS

1. **STOP!** Read the safety information above.
2. **TO CLEAR ANY GAS, turn main valve off by pressing ON/OFF on wall switch (1).**
  - Wait five (5) minutes to clear out any gas, then smell for gas, including near the floor. **If you smell gas, STOP!** Follow "B" in the safety information above on this label. If you don't smell gas, go to the next step.



3. **AUTOMATIC IGNITION:** MAN-knob (2) in ON position. Ensure Flame Adjustment knob (3) is set to lowest setting (∩) (Fig. 1). Locate the pilot (Fig. 3.) inside of firebox at left hand side.
  - On the wall switch, press the ON button; a short acoustic signal confirms the start has begun.
  - Further short acoustic signals indicate the ignition process is in progress.
  - When the pilot is lit, the Flame Adjustment knob (3) will automatically rotate to the highest setting.
  - Press the small flame button (🔥) on the wall switch to reduce the flame height.
4. **MANUAL IGNITION:** MAN-knob (2) in MAN position (Fig. 2). With the window off, locate the pilot (Fig. 3) inside of firebox at left hand side.
  - Set Flame Adjustment knob (3) to the lowest setting (∩).
  - Push down the metallic core (4) with a pen or similar instrument; this will establish the pilot gas flow.
  - Light gas at the pilot (5) with a match.
  - Continue holding down metal core (4) for about 10 seconds; after release, pilot should remain lit.
    - If the pilot will not stay lit after several tries, turn the gas control knob (3) to OFF (∩) and call your local service technician or gas supplier.
  - Reinstall the window and set the MAN-knob (2) to ON; turn Flame Adjustment knob (3) up (∪) or down (∩) manually or use the flame buttons (🔥)(🔥) buttons on the wall switch to adjust the flame height.



## TO TURN OFF GAS TO APPLIANCE

**AUTOMATIC SHUT-OFF** (using the wall switch):

- Press and hold the small flame button (🔥) on the wall switch to shut-off the main burner gas flow.
- Press ON/OFF button on wall switch to shut-off the appliance, including pilot flame.

## State of Massachusetts Carbon Monoxide Detector/Vent Terminal Signage Requirements

For all side wall horizontally vented gas fueled equipment installed in every dwelling, building or structure used in whole or in part for residential purposes, including those owned or operated by the Commonwealth and where the side wall exhaust vent termination is less than seven (7) feet above finished grade in the area of the venting, including but not limited to decks and porches, the following requirements shall be satisfied:

### 1. INSTALLATION OF CARBON MONOXIDE

**DETECTORS.** At the time of installation of the side wall horizontal vented gas fueled equipment, the installing plumber or gas fitter shall observe that a hard wired carbon monoxide detector with an alarm and battery back-up is installed on the floor level where the gas equipment is to be installed. In addition, the installing plumber or gas fitter shall observe that a battery operated or hard wired carbon monoxide detector with an alarm is installed on each additional level of the dwelling, building or structure served by the side wall horizontal vented gas fueled equipment. It shall be the responsibility of the property owner to secure the services of qualified licensed professionals for the installation of hard wired carbon monoxide detectors.

a. In the event that the side wall horizontally vented gas fueled equipment is installed in a crawl space or an attic, the hard wired carbon monoxide detector with alarm and battery back-up may be installed on the next adjacent floor level.

b. In the event that the requirements of this subdivision can not be met at the time of completion of installation, the owner shall have a period of thirty (30) days to comply with the above requirements; provided, however, that during said thirty (30) day period, a battery operated carbon monoxide detector with an alarm shall be installed.

### 2. APPROVED CARBON MONOXIDE DETECTORS.

Each carbon monoxide detector as required in accordance with the above provisions shall comply with NFPA 720 and be ANSI/UL 2034 listed and IAS certified.

3. **SIGNAGE.** A metal or plastic identification plate shall be permanently mounted to the exterior of the building at a minimum height of eight (8) feet above grade directly in line with the exhaust vent terminal for the horizontally vented gas fueled heating appliance or equipment. The sign shall read, in print size no less than one-half (1/2) inch in size, "GAS VENT DIRECTLY BELOW. KEEP CLEAR OF ALL OBSTRUCTIONS".

4. **INSPECTION.** The state or local gas inspector of the side wall horizontally vented gas fueled equipment shall not approve the installation unless, upon inspection, the inspector observes carbon monoxide detectors and signage installed in accordance with the provisions of 248 CMR 5.08(2)(a)1 through 4.

(b) **EXEMPTIONS:** The following equipment is exempt from 248 CMR 5.08(2)(a)1 through 4:

1. The equipment listed in Chapter 10 entitled "Equipment Not Required To Be Vented" in the most current edition of NFPA 54 as adopted by the Board; and

2. Product Approved side wall horizontally vented gas fueled equipment installed in a room or structure separate from the dwelling, building or structure used in whole or in part for residential purposes.

### (c) MANUFACTURER REQUIREMENTS - GAS EQUIPMENT VENTING SYSTEM PROVIDED.

When the manufacturer of Product Approved side wall horizontally vented gas equipment provides a venting system design or venting system components with the equipment, the instructions provided by the manufacturer for installation of the equipment and the venting system shall include:

1. Detailed instructions for the installation of the venting system design or the venting system components; and

2. A complete parts list for the venting system design or venting system.

(d) MANUFACTURER REQUIREMENTS - GAS EQUIPMENT VENTING SYSTEM NOT PROVIDED.

When the manufacturer of a Product Approved side wall horizontally vented gas fueled equipment does not provide the parts for venting the flue gases, but identifies “special venting systems”, the following requirements shall be satisfied by the manufacturer:

1. The referenced “special venting system” instructions shall be included with the appliance or equipment installation instructions; and
2. The “special venting systems” shall be Product Approved by the Board, and the instructions for that system shall include a parts list and detailed installation instructions.

(e) A copy of all installation instructions for all Product Approved side wall horizontally vented gas fueled equipment, all venting instructions, all parts lists for venting instructions, and/or all venting design instructions shall remain with the appliance or equipment at the completion of the installation.

## Approval & Codes

This appliance is certified to ANSI Z21.88-2014/ CSA 2.33-2014 American National Standard / CSA Standard for *Vented Gas Fireplace Heaters* for use in Canada and USA, and to CGA 2.17-91 *High Altitude Standard in Canada*. This appliance is for direct vent installations.

This appliance complies with CSA P4.1-09 *Testing method for measuring annual fireplace efficiencies*.

The installation must conform to local codes or, in the absence of local codes, with the *National Fuel Gas Code, ANSI Z223.1* or the *Natural Gas and Propane Installation Code CAN/CGA-B149*. Only qualified licensed or trained personnel should install this appliance.

This appliance must be electrically grounded in accordance with local codes, or, in the absence of local codes, with the *National Electrical Code, ANSI/NFPA 70* or the *Canadian Electrical Code, CSA C22.1*.

## Ratings

Model	N	P
Gas	Natural	Propane
Altitude (Ft.)*	0-4,500 feet*	
Input Maximum (Btu/h)	30,000	28,000
Input Minimum (Btu/h)	18,000	18,500
Manifold Pressure (in w.c.)	4.0"	9.5"
Minimum Supply Pressure (in w.c.)	5"	11"
Maximum Supply Pressure (in w.c.)	10"	14"
Main Burner Injector Marking	850	300
Pilot Injector Marking	51	30
Min. Rate By-Pass Screw	220	160

## \*High Altitude Installations

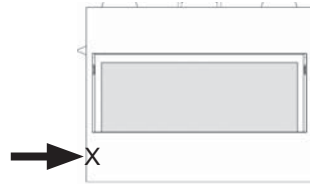
Input ratings are shown in BTU per hour and are certified without deration for elevations up to 4,500 feet (1,370 m) above sea level.

For elevations above 4,500 feet (1,370 m) in USA, installations must be in accordance with the current ANSI Z223.1 and/or local codes having jurisdiction. Heating value of gas in some areas is reduced to compensate for elevation—consult your local gas utility to confirm.

For installations at elevations above 4,500 feet (1,370 m) in Canada, please consult provincial and/or local authorities having jurisdiction.

## Supply Gas

Heater engine 1500INO is used with natural gas. Heater engine 1500IPO is used with propane gas. This fireplace must be permanently situated and connected to a fixed piping system; it is **NOT** portable. The supply pressure must be between the limits shown in the Ratings section above.



The supply connection is 3/8" NPT male and located on the left hand side of the firebox. A shut-off valve (not supplied) is required on the supply line to isolate the unit during service. See *Set-up Gas Supply* section for details.

## Venting

This appliance must be connected to a vent system and terminated either through a sidewall or roof using an approved termination cap. Although located outdoors, consideration must be given to locating the vent terminal away from certain openings, obstructions, other vents, etc. See *Location* section for more information.

## Conversion Kits

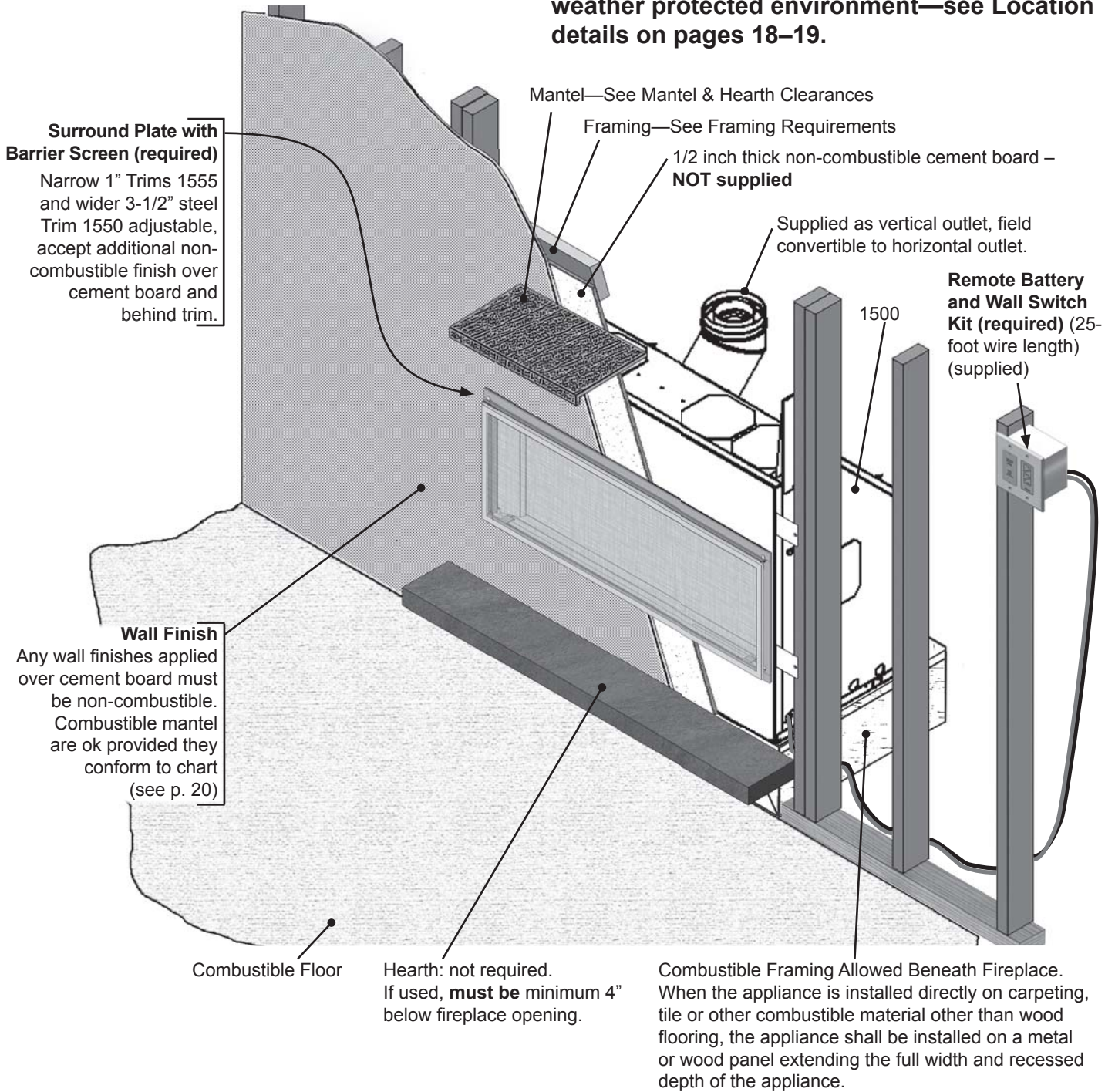
The 1500 L1 is supplied as natural gas or propane gas and is field convertible between fuels. See instructions packaged with the conversion kit for further information.

## Electrical Wiring

The 1500 is designed to run on battery power. There are no electrical accessories and therefore no power source is required.

# Overview

**Note: This appliance must be installed in a weather protected environment—see Location details on pages 18–19.**



**⚠ WARNING**

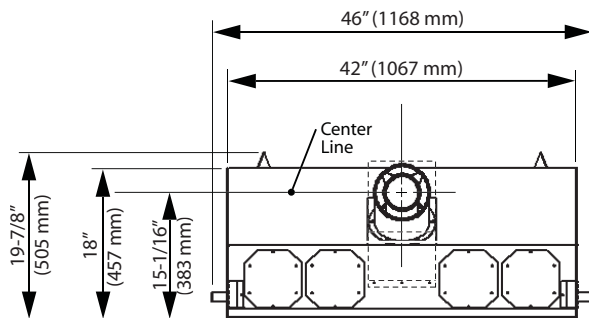
Some materials or items, although safe, may discolor, shrink, warp, crack, peel, and so on because of the heat produced by the fireplace. Avoid placing candles, paintings, photos, and other items sensitive to heat around the fireplace.

**⚠ WARNING**

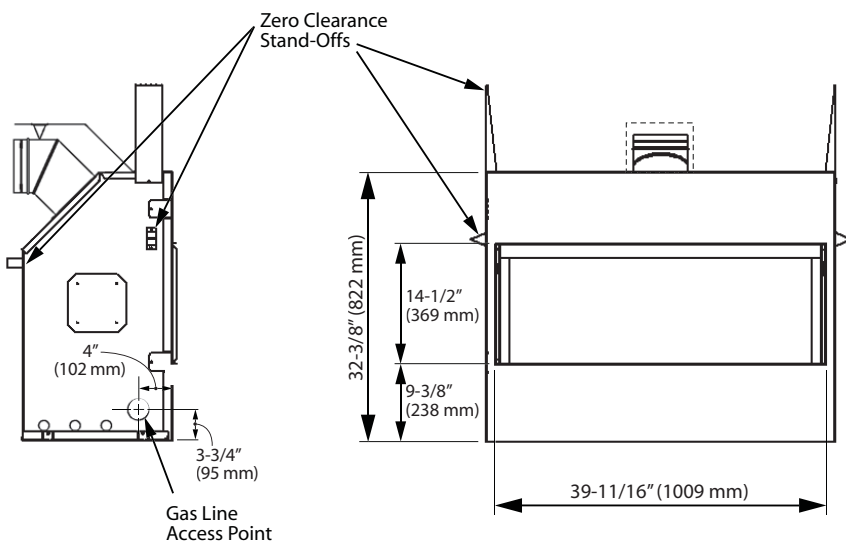
**HOT WALL SURFACES!** The wall directly above the fireplace is constructed of non-combustible materials and, although safe, it may reach temperatures in excess of 250° F depending on choice of trims. Do not touch. Finish the wall using materials suitable for these temperatures.



# Dimensions

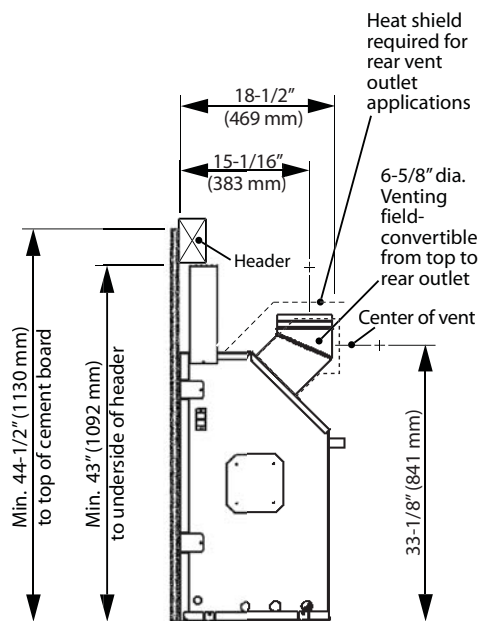


**Top View**

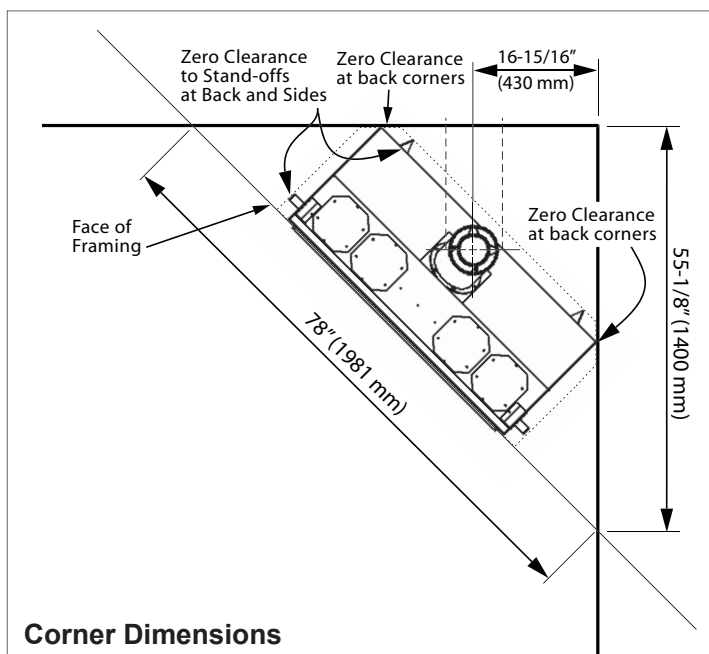


**Left Side View**

**Front View**



**Right Side View**



**Corner Dimensions**

## Location

### Location

For the purposes of this installation manual the term “outdoor” means installed outside of the insulated building envelope. The outdoor space may be attached or free standing to the main/primary structure and may or may not include walls.

**Note:** The fireplace will not perform as an exterior wall. If installed against an exterior wall we recommend the appliance enclosure or chase be constructed completely outside of the insulated building envelope and weather membrane.

The fireplace must be permanently situated and connected to a fixed piping system, it is not portable.

### Weather Protection/Moisture Resistance

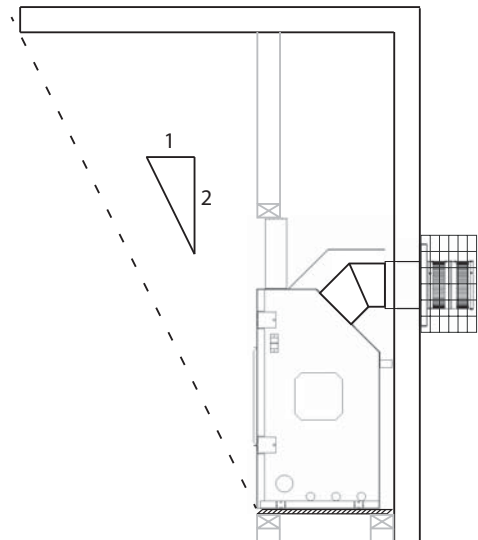
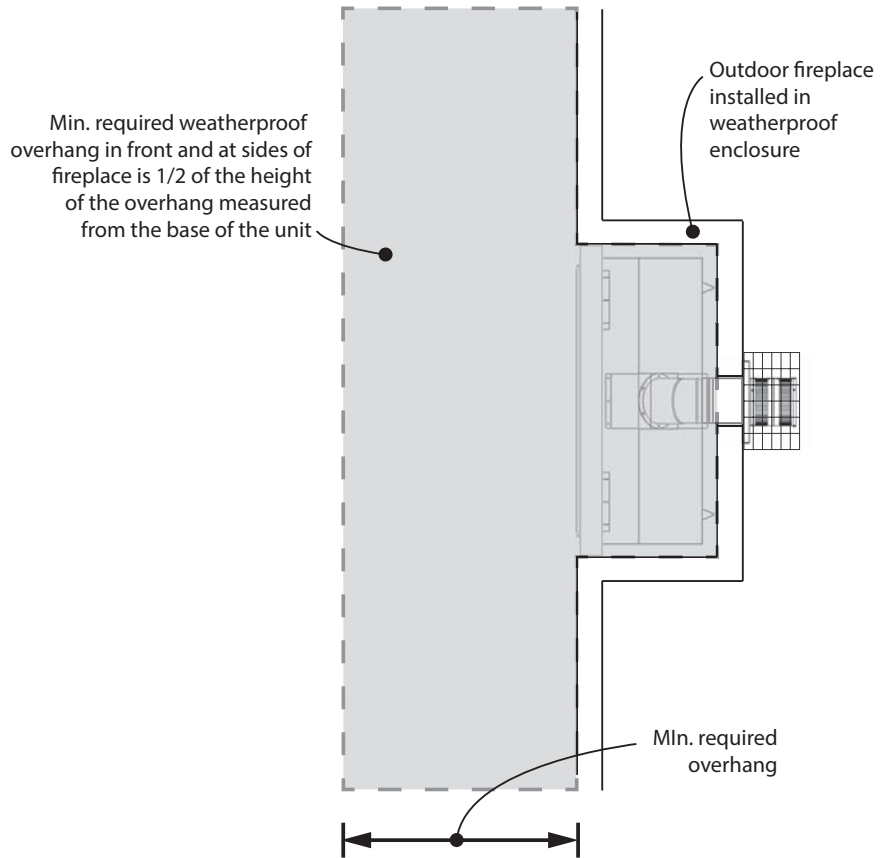
This outdoor fireplace will tolerate moderate amounts of water on an occasional basis but is not waterproof.

The fireplace must be enclosed in a weatherproof enclosure clad in typical weatherproof material such as siding/stucco/stone/tile, etc. and have a weatherproof structure to shed water that extends horizontally beyond the front and side perimeter of the fireplace (see diagram).

Water running down vertical surfaces should be directed away from the fireplace using flashings. Measures must be taken to ensure any accumulated water drains away from the fireplace and structure.

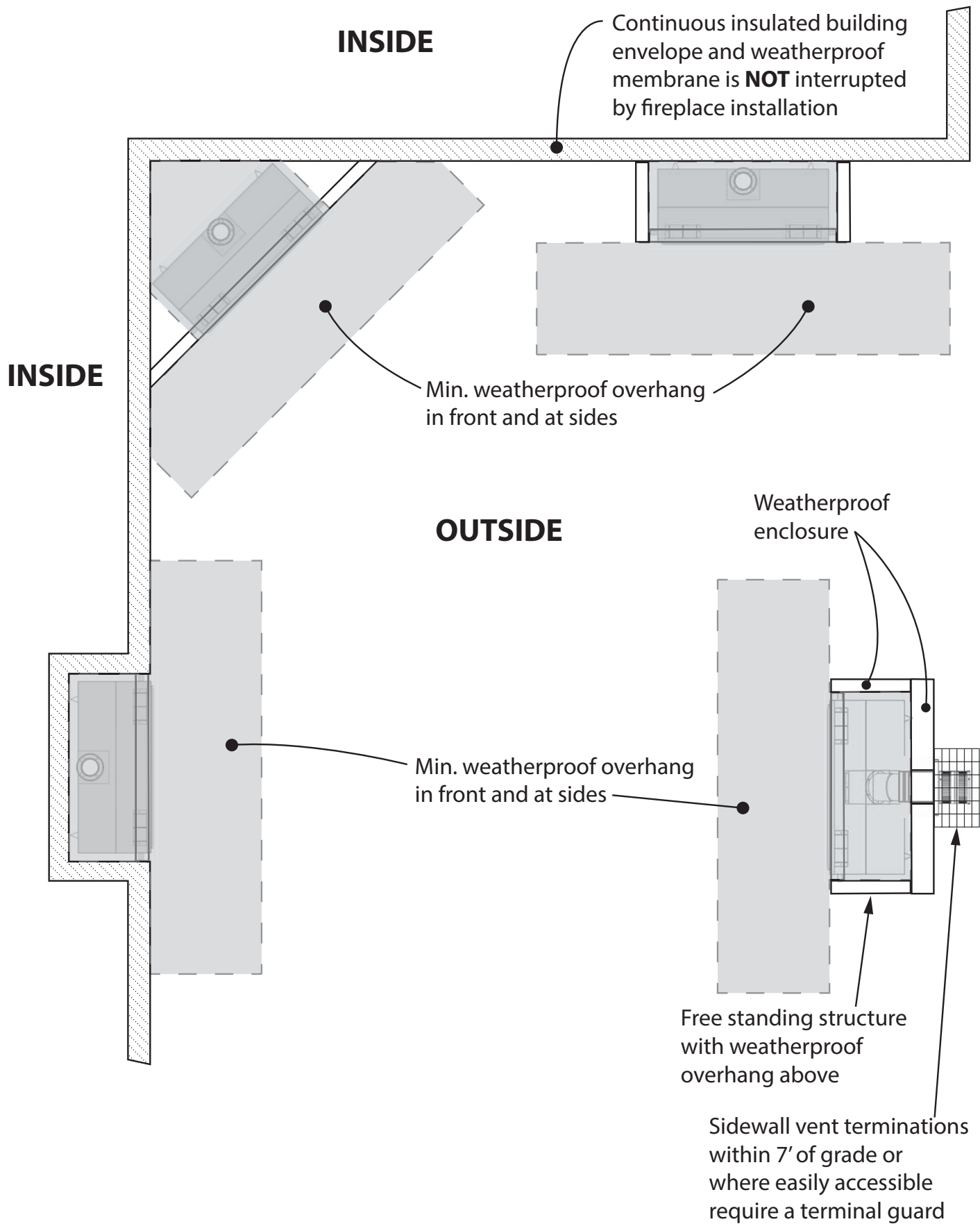
When the fireplace is installed on surfaces where water may collect or cause damage a suitable drainage pan should be placed under the unit and the water drained away.

### Top View



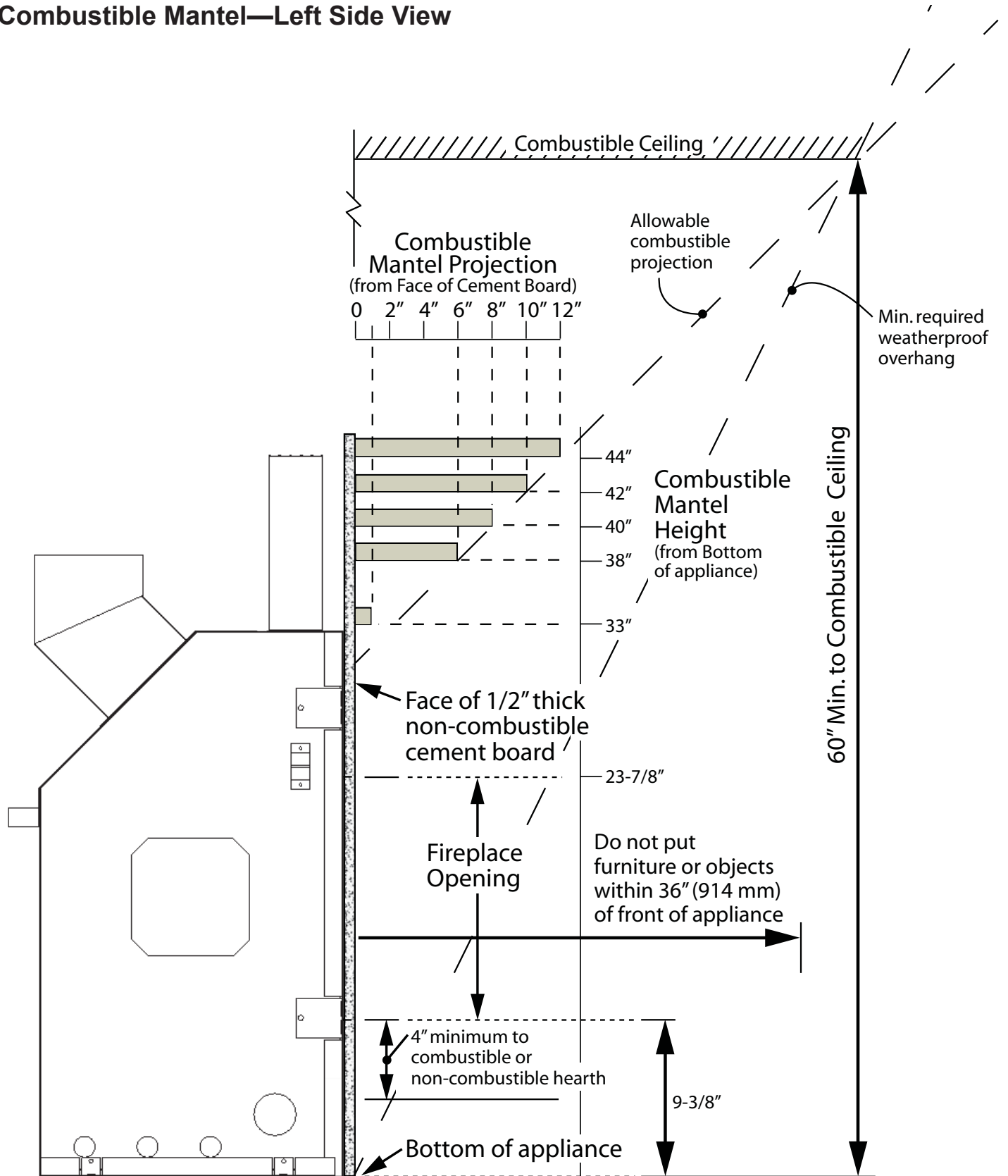
### Side View

Location

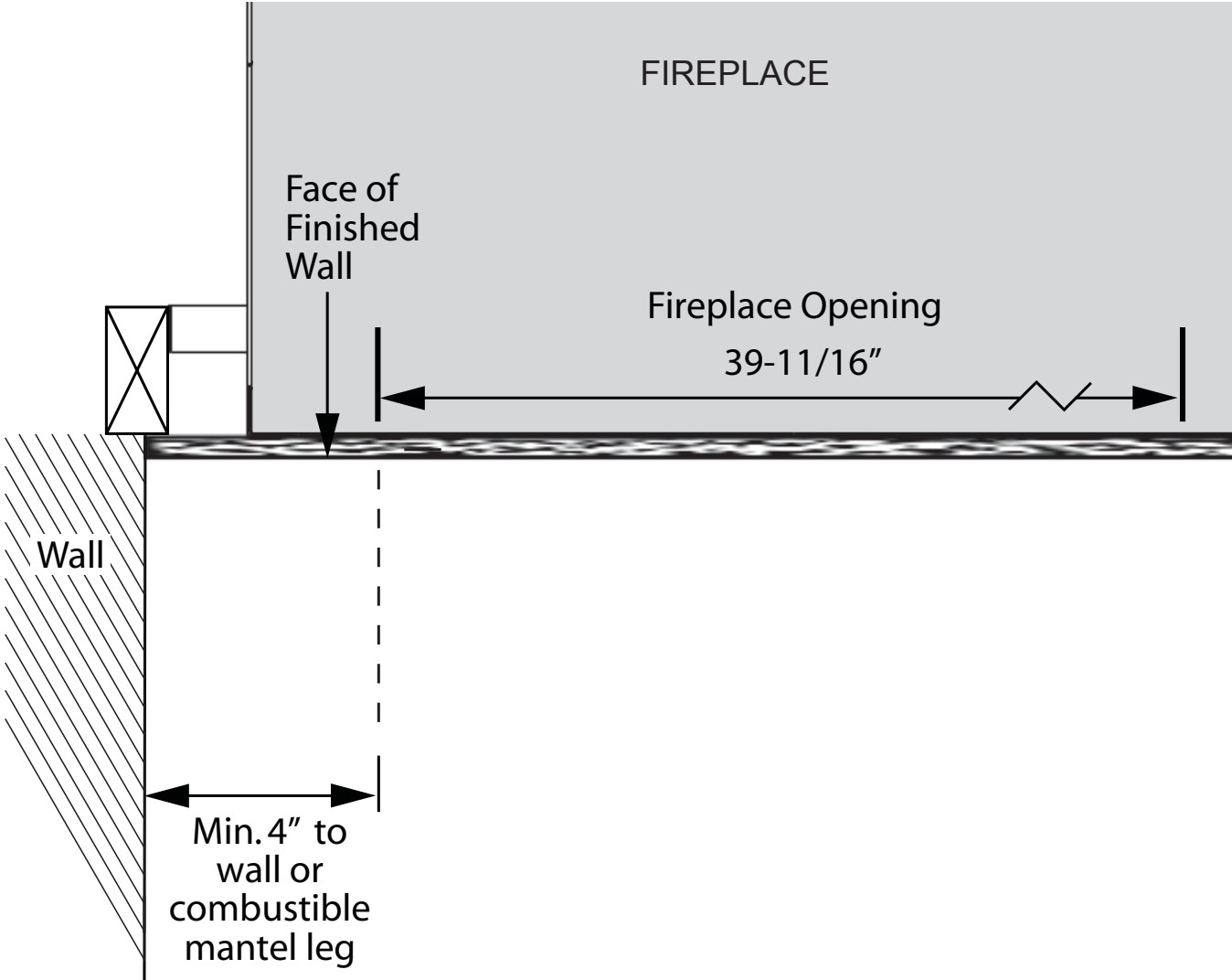


# Mantel & Hearth Clearances

## Combustible Mantel—Left Side View

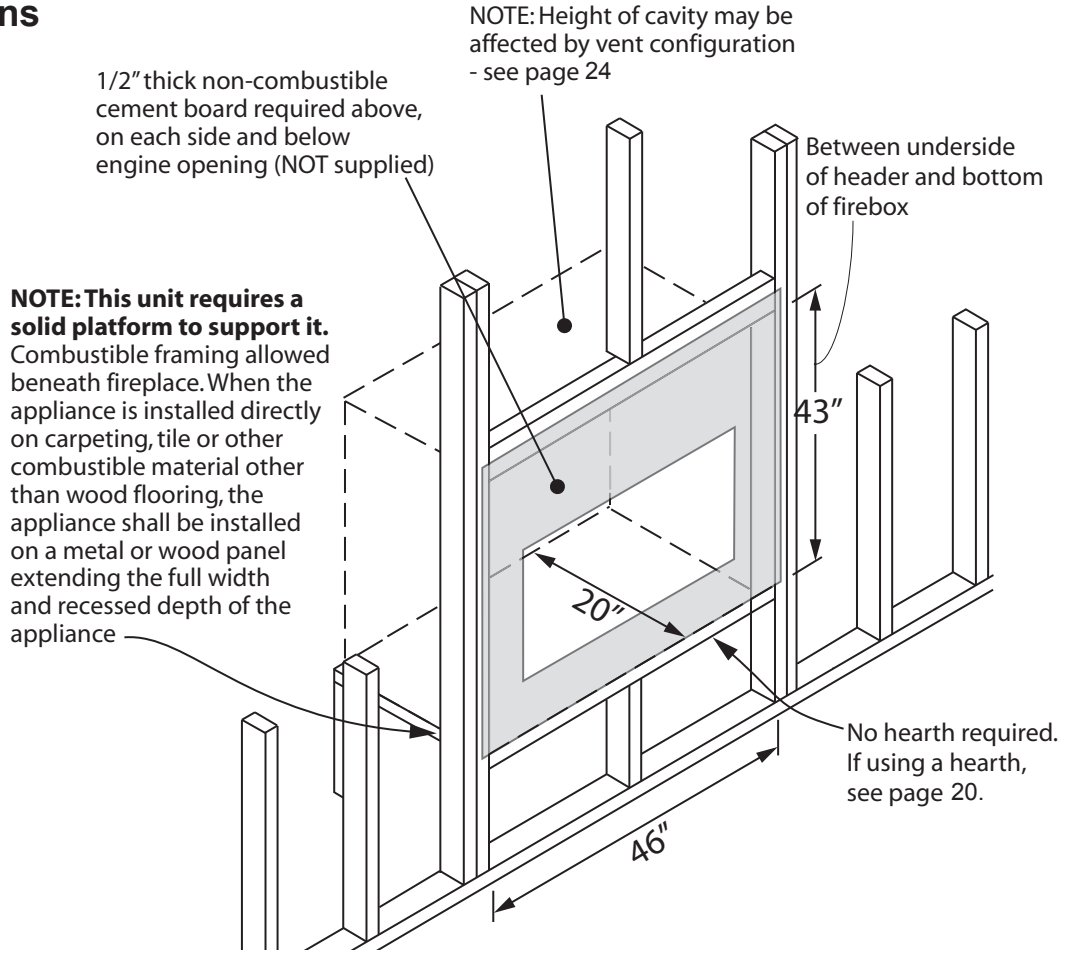


Combustible Sidewall / Mantel Leg—Top View



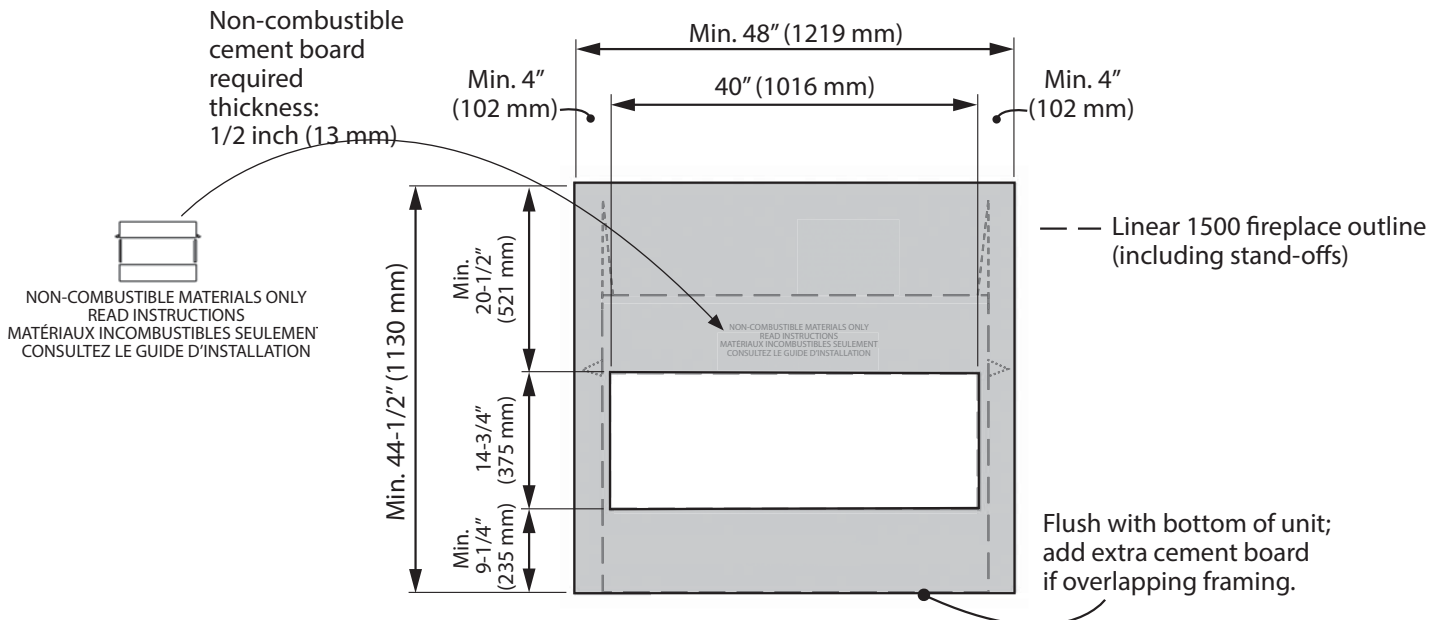
# Framing Requirements

## Framing Dimensions

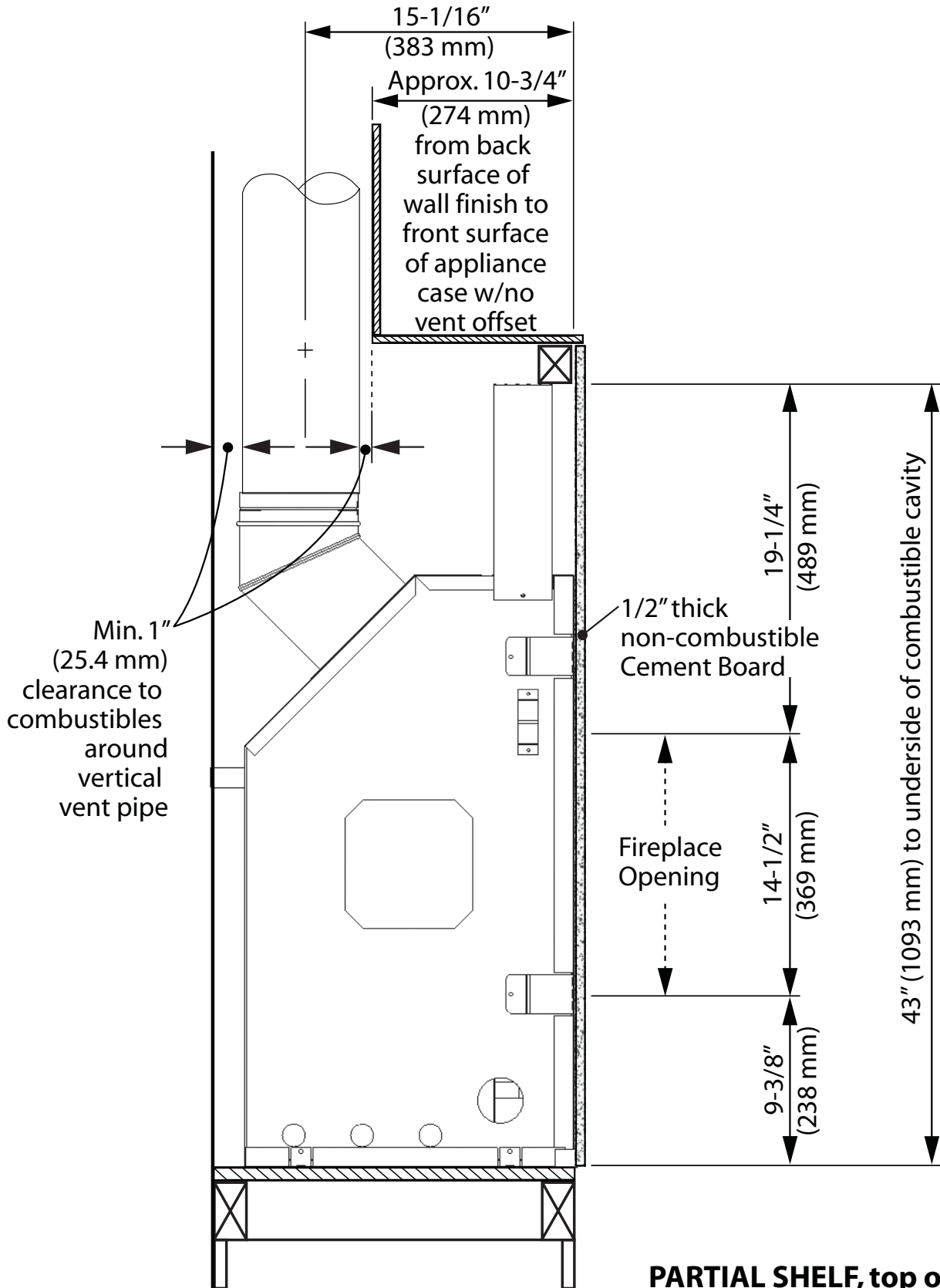


## Minimum Cement Board Dimensions

Minimum coverage area of non-combustible cement board. Any **wall** finish applied to shaded area must be non-combustible.

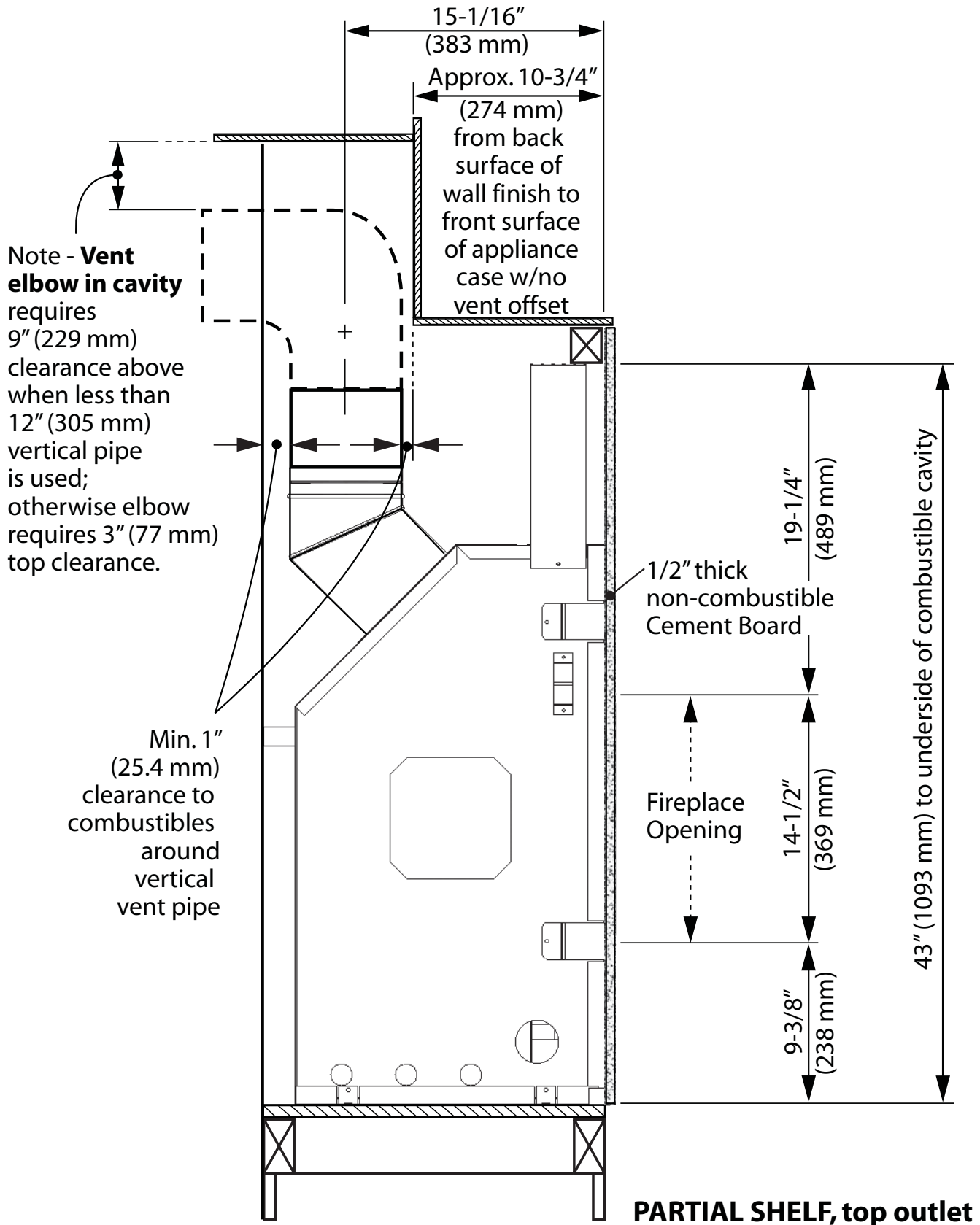


## Framing with Partial Shelf—Top Outlet



## Framing Requirements

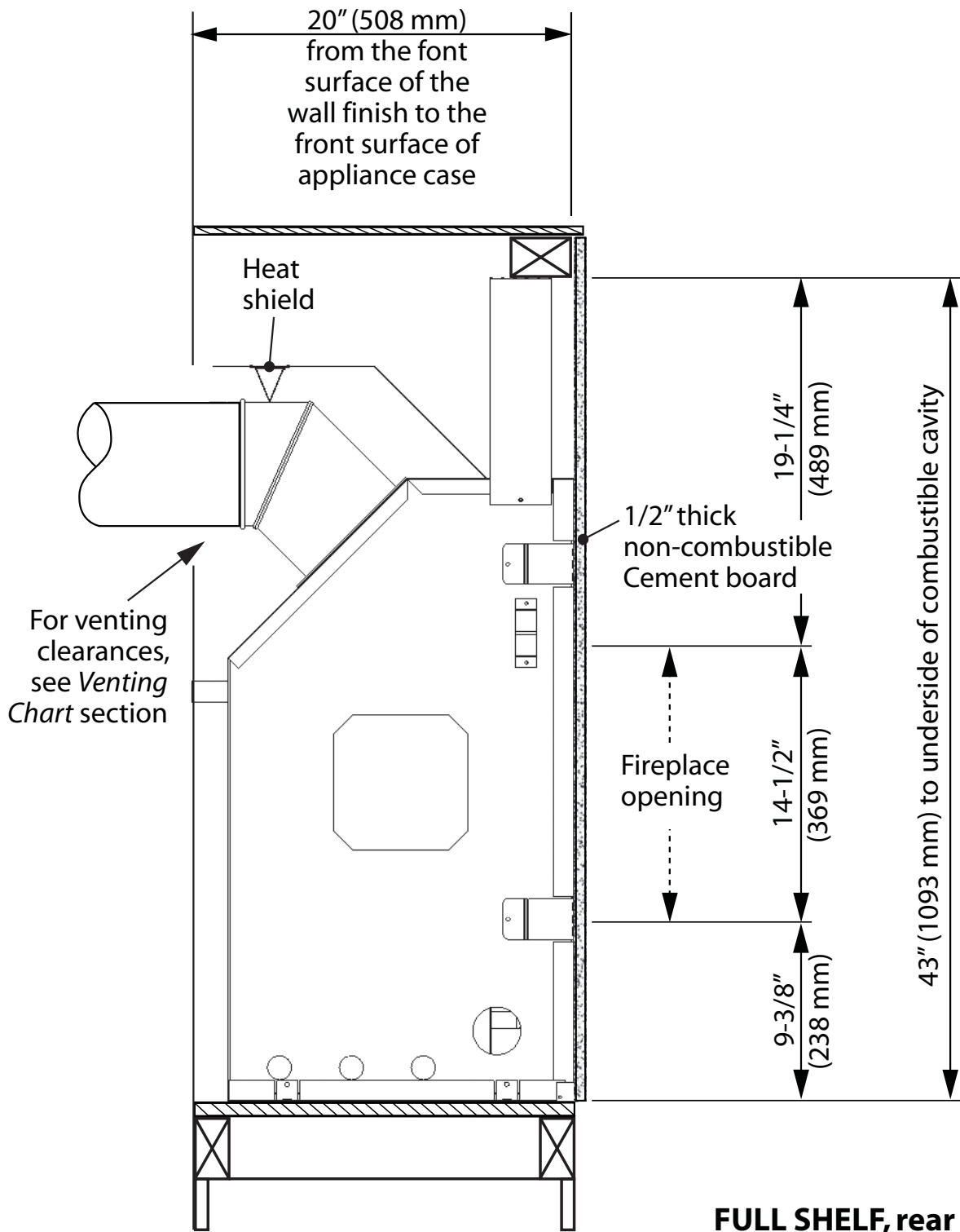
### Framing with Partial Shelf—Top Outlet, vent elbow in cavity





# Framing Requirements

## Framing with Full Shelf—Rear Outlet



## Venting

### Top or Rear Outlet

This unit is supplied with a top vent outlet which can be field-converted to a rear vent outlet. See *Installation* section for more information.

### Vent Material

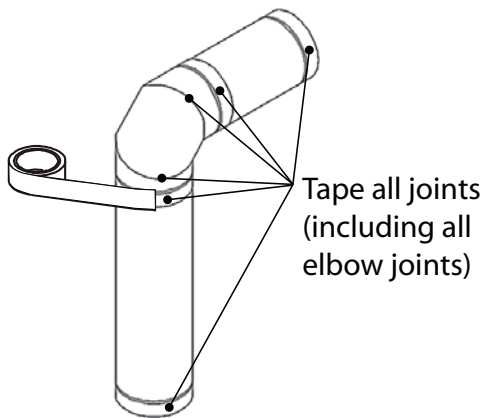
This unit is approved for installation using 4 x 6-5/8 inches co-axial direct vent pipe and accessories as listed in the *Approved Venting Components* section on pages 50–51 of this manual. Follow the installation instructions supplied with the individual venting accessories.

### Vent Sealing

Seal all outer coaxial pipe and elbow joints, including sectioned elbow joints, using high quality, high temperature 2 inch wide self-adhesive aluminum foil tape (Nashua-322-2 brand or similar). Wrap the tape completely around all joints and press firmly to seal.

A high temperature black silicone sealant may be used in the outer joints as a substitute to foil tape.

Ensure all the pipe joints have a minimum of 1 ¼ inch overlap.

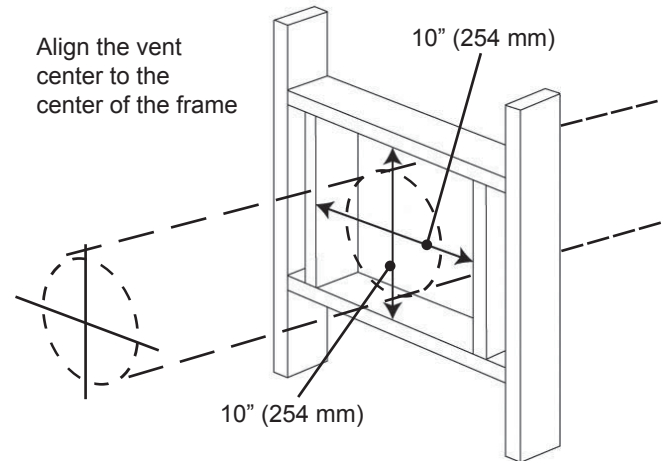


### Wall Thickness

The appliance vent is suitable for penetrating a combustible wall assembly up to 8 inches in thickness. A non-combustible wall can be of any thickness up to the maximum horizontal run of vent pipe allowed for the particular installation.

### Framing Vent in Combustible Walls & Ceilings

When penetrating through combustible walls and ceilings, frame a minimum of 10 in x 10 in opening and ensure that the insulation is kept clear of the vent pipe using either a wall thimble or an attic insulation shield. Follow the installation instructions supplied with the individual venting components.



### Important Installer Notice – Weather Sealing & Vapor Barriers

It is the installer's responsibility to ensure that vent installations through exterior walls are caulked and weatherproofed in such a manner as to:

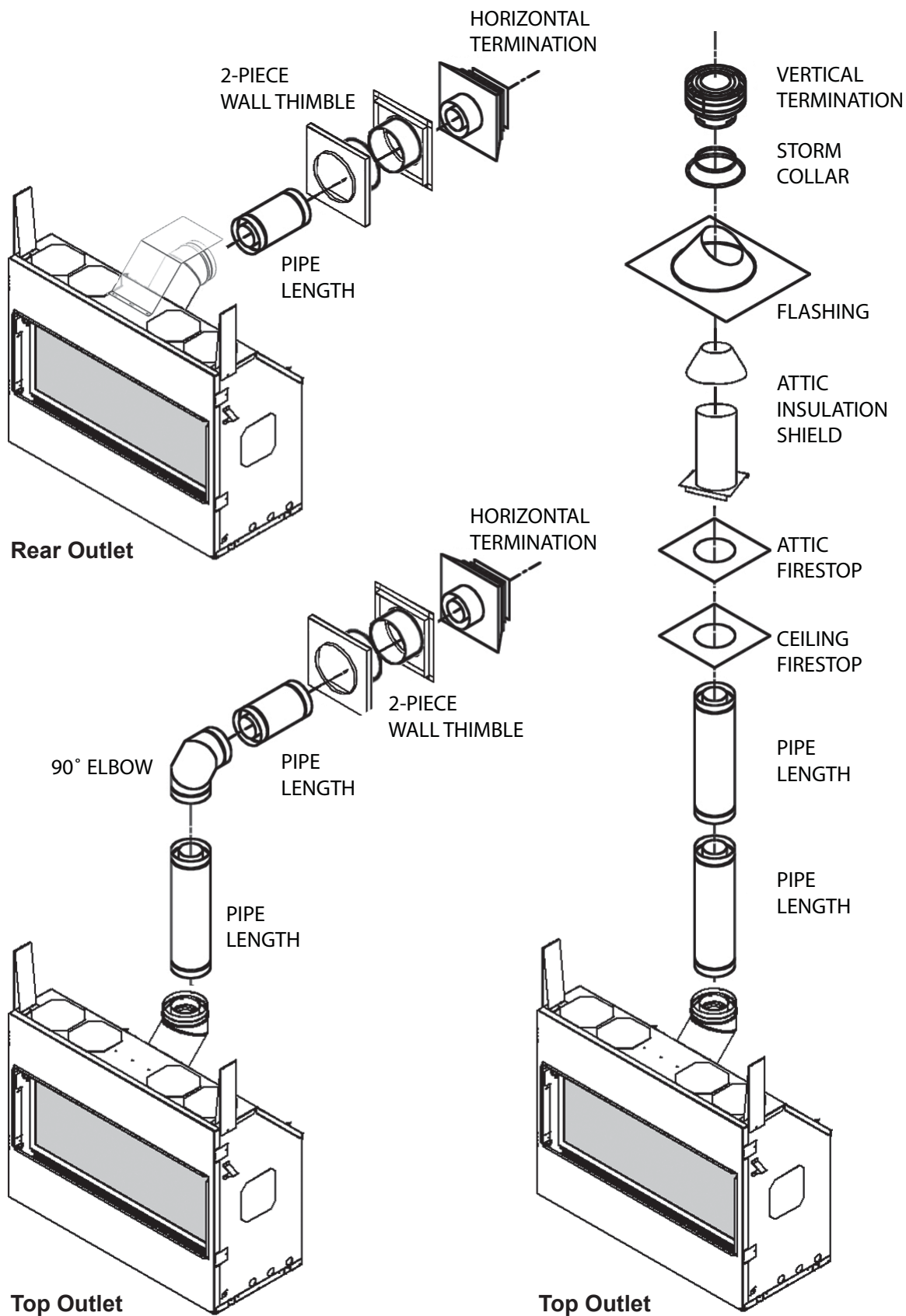
- Prevent rain water from entering the wall from the weather side by adequately caulking the outer vent plate to the exterior wall surface.
- Prevent moisture inside the home from penetrating into the wall structure by ensuring the inside wall plate is adequately sealed to the inside vapor barrier.
- Prevent rain water and moisture from entering the walls by sealing the joints between the outer vent tube and the inner and outer wall plates.

We recommend the use of a high quality polyurethane sealant.

**All horizontal pipe runs** must be graded 1/4 inch per foot upwards in the direction of the exhaust flow. The final pipe length, when terminating through the wall may be graded downwards slightly to prevent water migration.

# Co-axial Venting

## Typical Co-axial Venting Components



# Co-axial Venting

## How to Read the Venting Chart

The chart below applies to co-axial roof or wall termination.

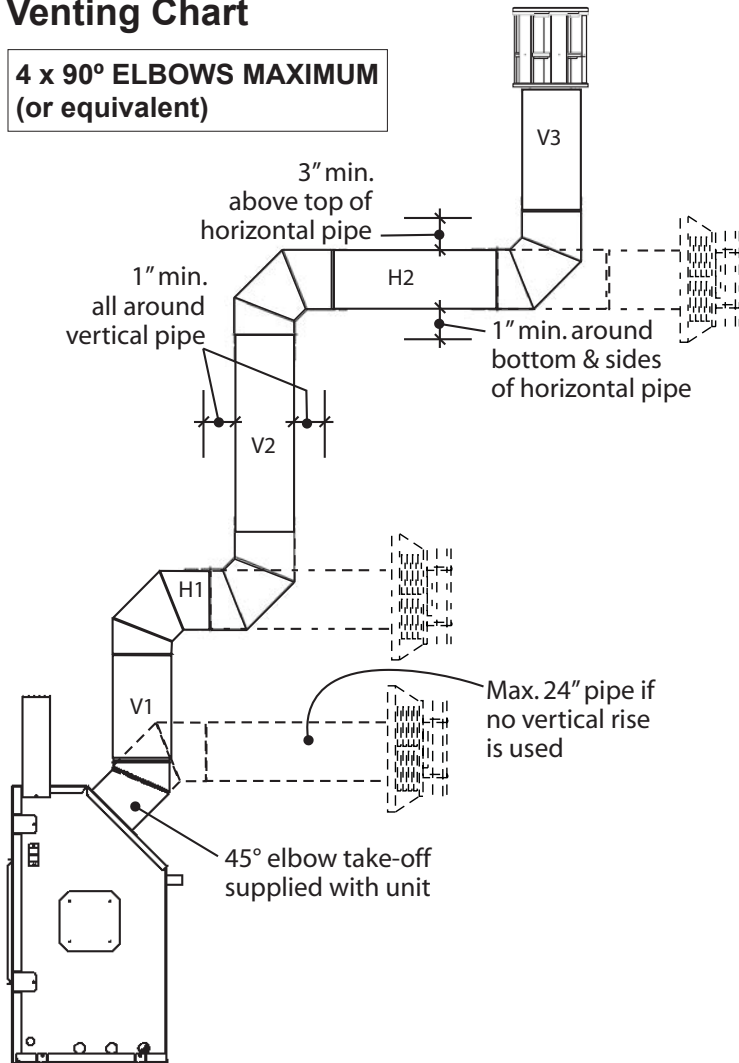
1. The total length of the vent pipe cannot exceed 40 feet.
2. The minimum vertical rise with vertical termination is 4 feet.
3. Any combination of rise and run can be used as long as they are within the allowable limits shown on the chart below.
4. A maximum of 4 x 90 degrees elbows—or equivalent (2 x 45 degrees = 90 degrees)—can be used. Excludes the 45 degrees take-off elbow shipped with the appliance.

5. Each 90 degrees elbow installed on the horizontal plane is equivalent to a 3 feet horizontal pipe; therefore, 3 feet must be subtracted from allowable horizontal run. (45 degrees elbow is equivalent to 18 inches horizontal pipe.)
6. All horizontal pipe runs must be graded 1/4 inch per foot upwards in the direction of the exhaust flow. The final pipe length, when terminating through the wall may be graded downwards slightly to prevent water migration.
7. A restrictor adjustment is required for most installations having a vertical rise—see next section.

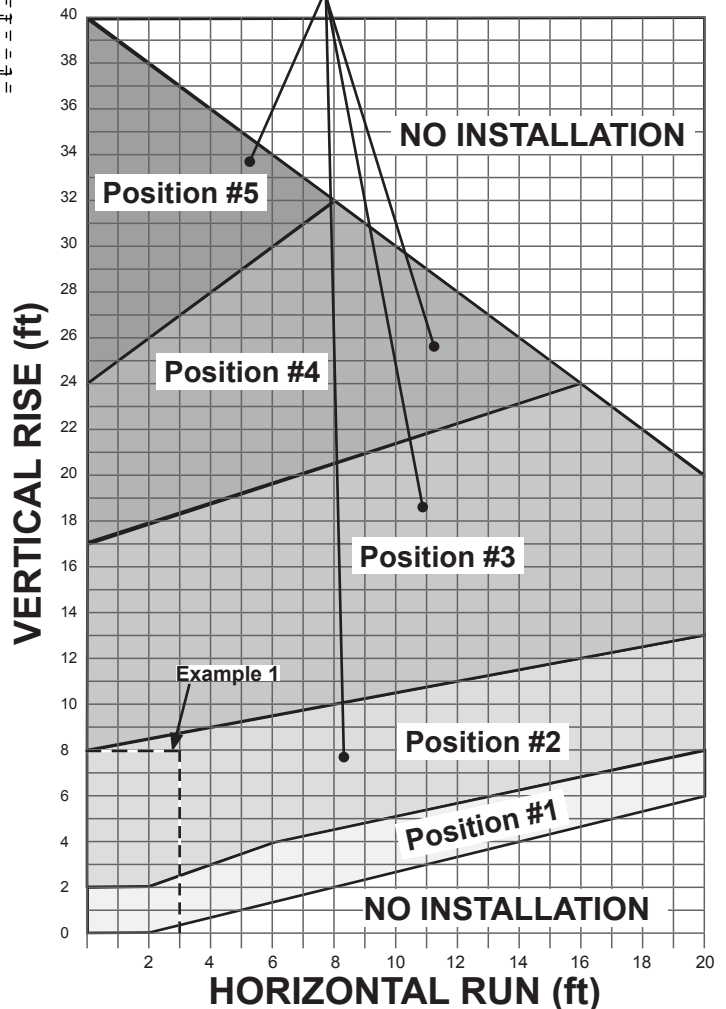
**Note:** The restrictor is shipped installed at the exhaust exit of the firebox.

## Venting Chart

**4 x 90° ELBOWS MAXIMUM  
(or equivalent)**



**Allowable Co-Axial Vent Configurations with restrictor positions**



**Example 1**

V Value = V1 (2') + V2 (4') + V3 (2') = 8'

H Value = H1 (0') + H2 (3') = 3'

Restrictor position # 2 required

## Co-axial Venting

### Restrictor

The restrictor is located in the roof of the firebox hidden above the top liner panel. Adjust the restrictor before installation of the top liner panel. Should subsequent adjustment be required, you will need to remove the top liner panel—see page 37.

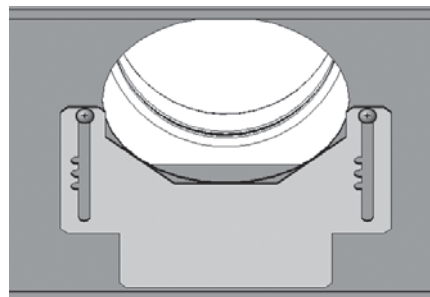
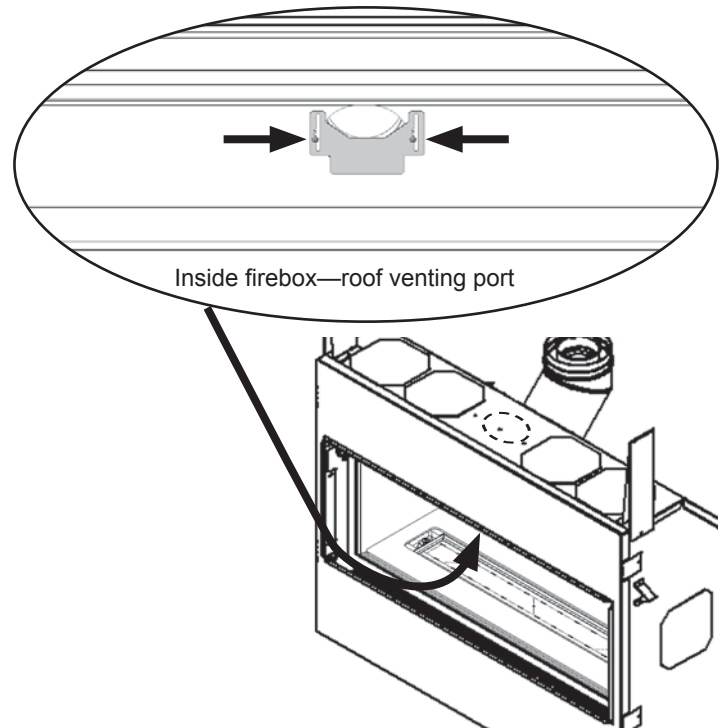
**ALL INSTALLATIONS REQUIRE A RESTRICTOR** for improved flame picture and performance. This unit is supplied with a pre-fitted restrictor having five different positions or settings. The restrictor is shipped mounted at the maximum open position which is used for rear venting with no vertical rise. The level of restriction required depends on the vertical rise in the venting system and, to a lesser degree, the horizontal run and number of elbows.

The amount of restriction is based on laboratory tests. The ideal restrictor position may vary slightly, especially when the vent pipe length is near the limits of the acceptable configurations for each type of restrictor.

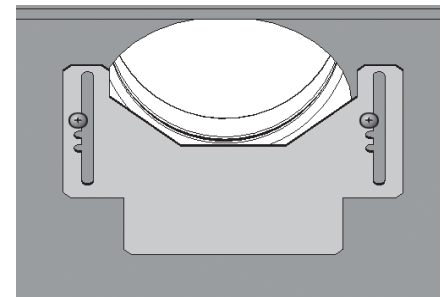
The chart on the previous page shows the vent restrictor required relative to the length of the vent pipe.

To set the restrictor position:

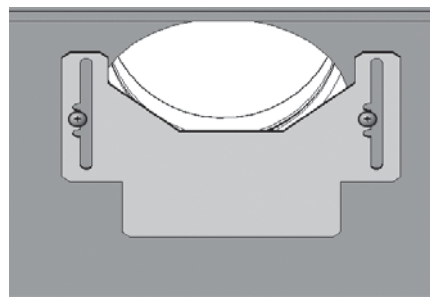
1. Establish the required position of the restrictor looking up the venting table on the previous page.
2. Release the screws (2) on each side of the restrictor already installed **on the firebox roof port**.
3. Slide the restrictor in the required position.
4. Tighten the screws.



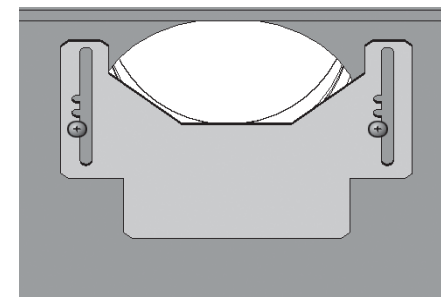
Position #1



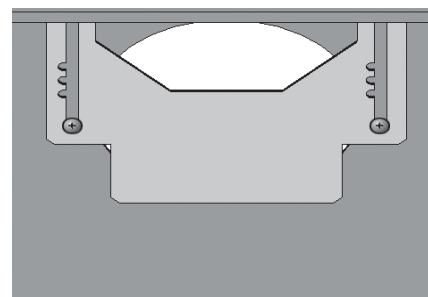
Position #2



Position #3



Position #4



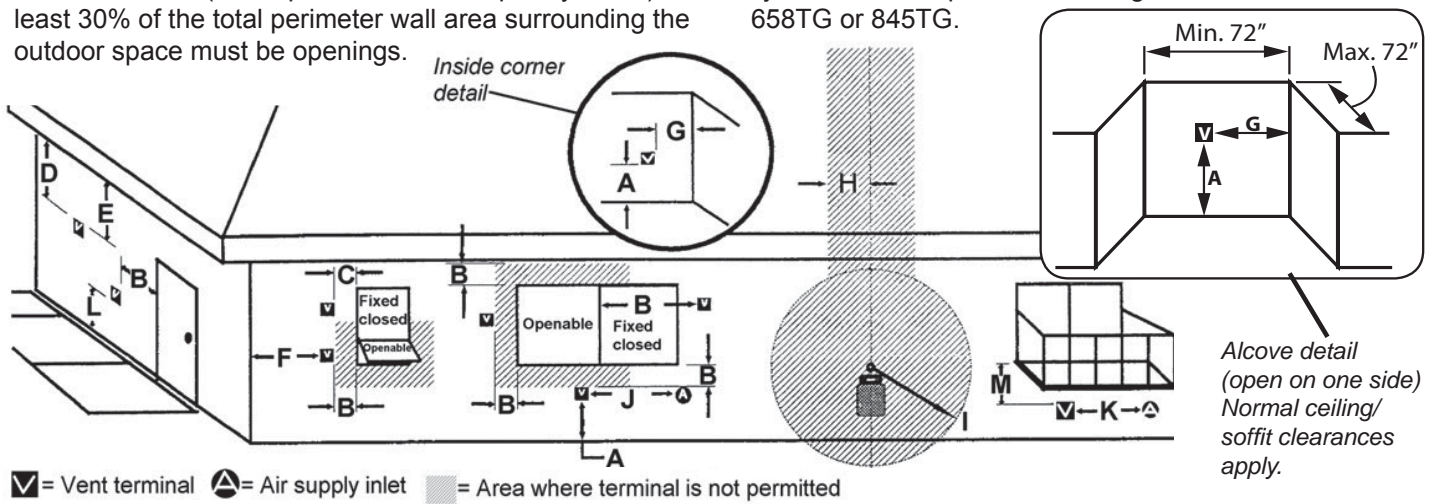
Position #5

# Co-axial Venting

## Vent Termination

- The vent terminal must be located on a side wall or through the roof. Where possible, venting through the roof is preferable to sidewall venting to avoid products of combustion from accumulating in outdoor spaces.
- Typically, outdoor spaces are not totally enclosed by solid continuous walls. When sidewall venting is used, the vent terminal will need to be located to avoid products of combustion from accumulating within the outdoor space or from entering the interior space through doors and windows. See clearances listed below with respect to openings to interior spaces.
- When a sidewall vent terminal terminates below an overhead cover (either permanent or temporary cover) at least 30% of the total perimeter wall area surrounding the outdoor space must be openings.

- This direct vent appliance is designed to operate when an undisturbed airflow hits the outside vent terminal from any direction.
- The minimum clearances from this terminal that must be maintained are shown in the figure next page. Any reduction in these clearances could result in a disruption of the airflow or a safety hazard. Local codes or regulations may require greater clearances.
- The vent terminal must not be recessed into a wall or siding.
- The vent terminal should be positioned where it will not be covered by snowdrifts.
- Sidewall vent terminations within 7' of grade or where easily accessible require a terminal guard such as the Valor 658TG or 845TG.

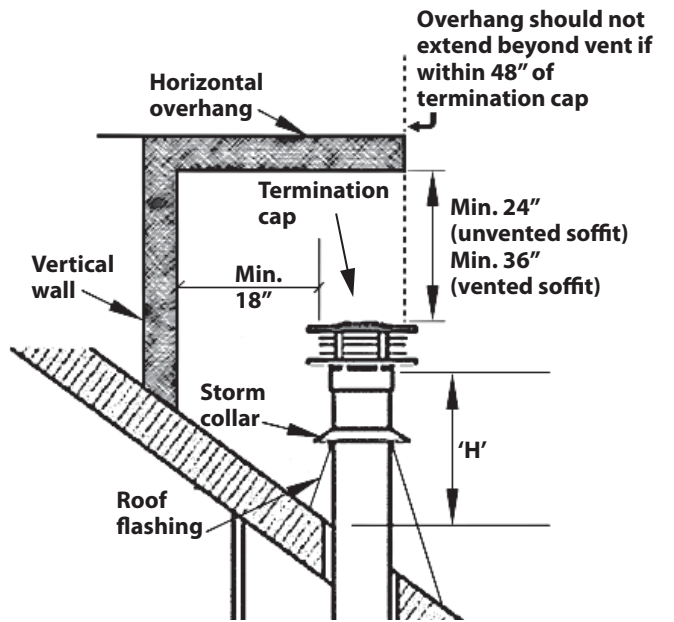


KEY	VENT TERMINAL LOCATIONS - MINIMUM DISTANCES	MINIMUM CLEARANCE	
		Inches	Cm
A	Clearance above grade, verandah, porch, deck or balcony	12	30
B	Clearance to window or door leading to inside space that may be opened	12	30
C	Clearance to permanently closed window (recommended to prevent condensation on window)	12	30
D	Vertical clearance to ventilated soffit located above the terminal within a horizontal distance of 2 feet (60 cm) from the center-line of the terminal	18	46
E	Clearance to unventilated soffit	12	30
F	Clearance to outside corner	12	30
G	Clearance to inside corner	12	30
H	Horizontal clearance to center-line of meter/regulator assembly located within 15 feet (4,6 m) below the terminal	36	90
I	Clearance to service regulator vent outlet	36	90
J	Clearance to non-mechanical air supply inlet to the building or the combustion air inlet to any other appliance	12	30
K	Clearance to a mechanical air supply inlet	72	180
L	Clearance above paved sidewalk or a paved driveway located on public property <b>Note: A vent must not terminate directly above a sidewalk or paved driveway, which is located between two single-family dwellings and serves both dwellings. THIS DOES NOT APPLY to direct vent, non-condensing appliances in the Province of Ontario.</b>	84	210
M	Clearance under a verandah, porch, deck or balcony. Only permitted if veranda, porch, deck or balcony is fully open on a minimum of 2 sides beneath the floor	12	30

Note: Local codes and regulations may require different clearances.

**Vertical Vent Termination**

Roof Pitch	Minimum "H" (feet)
Flat to 7/12	1'
Over 7/12 to 8/12	1.5'
Over 8/12 to 9/12	2'
Over 9/12 to 10/12	2.5'
Over 10/12 to 11/12	3.25'
Over 11/12 to 12/12	4'
Over 12/12 to 14/12	5'



## Installation Planning

### Installer—READ THIS FIRST

**Only qualified licensed or trained personnel should install this appliance.**

**1. YOU NEED TO KNOW FROM THE HOMEOWNER:**

- The height of the unit and hearth if used;
- The thickness and type of the wall finish around the firebox opening;
- What accessories (trim, etc.) will be installed with this fireplace;
- The venting configuration.

2. Unpack the appliance, removing all items packed inside and around the appliance.
3. Check that you have everything, using the Pack Content sheet. Also, check that you have:
  - ◇ a fuel bed (packed separately)
  - ◇ a set of liners (packed separately)
4. Finish the framing.

5. Fit the appliance into framing and fix it to the framing.
6. Remove the window of the appliance.
7. Install the venting system and tape vent pipe joints.
8. Position the restrictor.
9. Connect and test the gas supply.
10. Install the liners.
11. Install the middle platform supports.
12. Install the fuel bed.
13. Refit the window and the hot glass safety plate if removed.
14. Install the remote battery and wall switch kit.
15. Verify the operation and adjust aeration settings.
- 16. Instruct the homeowner on the operation and maintenance of the fireplace.**
17. Finish the wall around the fireplace.
18. Install the surround trim **and barrier screen**.

## Installation

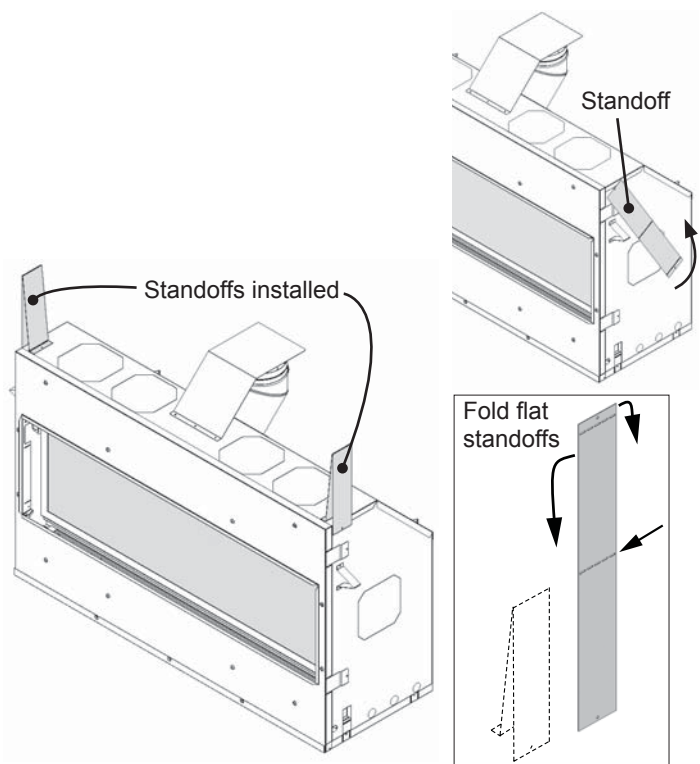
### Unpack Appliance

**Beware of sharp edges! Wear gloves!**

1. Remove the cardboard wrapping and the wood pallet from the appliance and discard.
2. Unpack any loose items from around the appliance.
3. Remove the window and set aside in a safe place to avoid damage—see next page.
4. **Verify that you have all the components required for the installation, including:**
  - ◇ approved cement board;
  - ◇ liners and fuel bed (in separate cartons);
  - ◇ trim kit with barrier screen;
  - ◇ venting components and accessories.

### Fit Standoffs

The standoffs are supplied flat on the firebox sides and fixed at one end. Swivel up the flat standoffs, bend them as shown and fix the loose end to the top of the firebox.



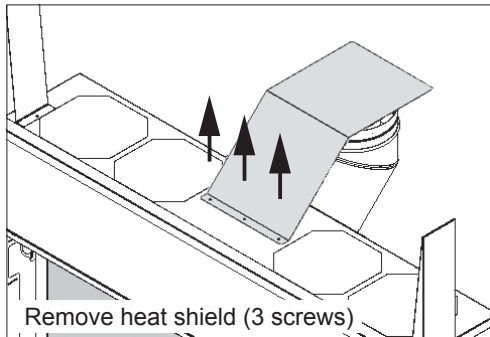


# Installation

## Remove Heat Shield

Remove the heat shield from the top of the appliance case (3 screws).

If using the top outlet, discard the shield. If using a rear outlet, keep the shield to reinstall after converting the top to rear outlet—see next subsection.

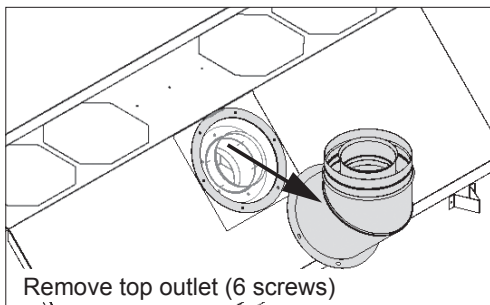


## Convert from Top to Rear Outlet (if required)

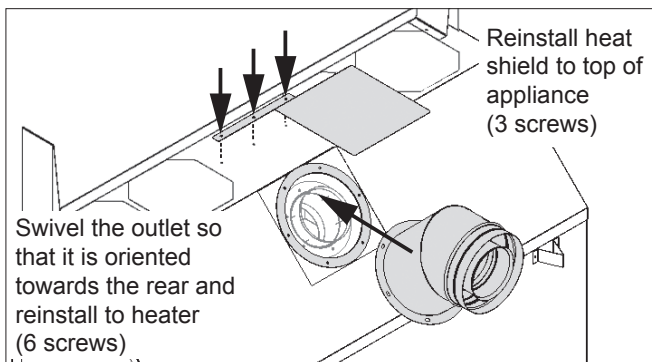
This unit is supplied with a top vent outlet which can be field-converted to a rear vent outlet.

**Please note that the rear outlet requires the installation of the heat shield on top of the heater case as indicated.**

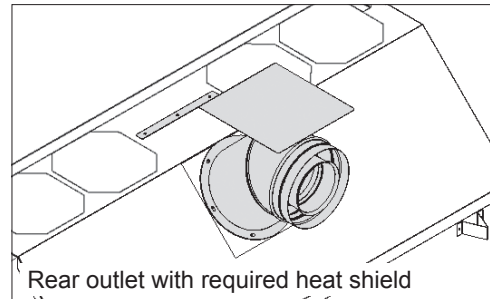
1. Remove the top outlet collar (6 screws).



2. Swivel the collar and install as a rear outlet (6 screws).

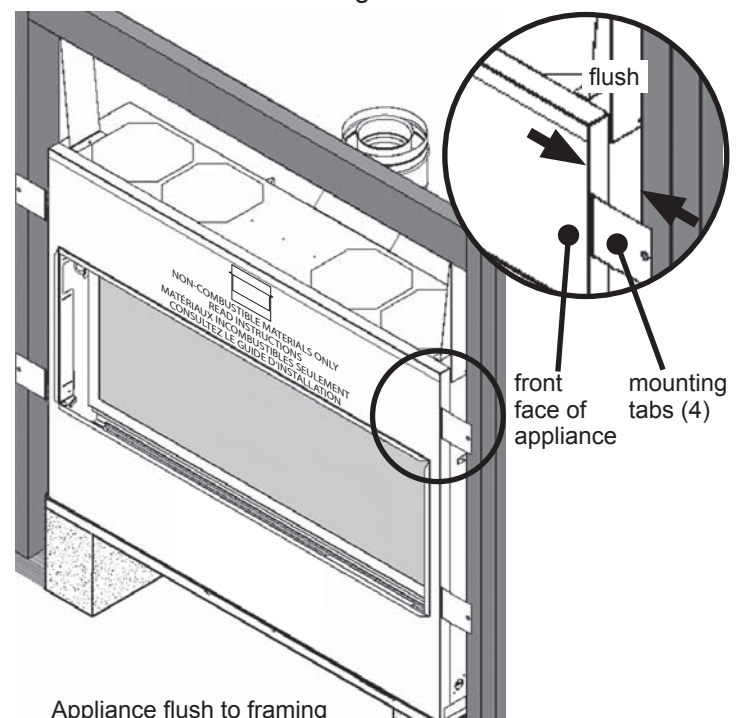
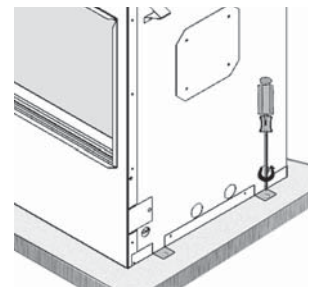


3. Reinstall the heat shield to the top of the appliance case (3 screws).



## Fit Appliance into Framing

1. Remove the 4 screws retaining the engine to its pallet.
  2. Taking great care not to cut your hands on the sheet metal edges, lift the appliance out of its packing base and place it in the framing. *Make sure that the unit is at the right height with consideration to the height of the hearth or combustible flooring.*
  3. Fold out four mounting tabs and recess the appliance in the framing as shown.
  4. Fasten the unit to framing using 4 screws or nails at the mounting tabs.
- Note:** The sheet metal front face of the appliance is flush with the framing studs.



**Plan Wall Finish**

**Non-combustible cement board**

The L1 Linear fireplace requires a 1/2" (13 mm) thick non-combustible cement board to be used as a wall surface immediately surrounding the unit on each side—see diagram for minimum coverage.

Extending the cement board well beyond the minimum shown will help avoid cracking due to differential expansion of materials.

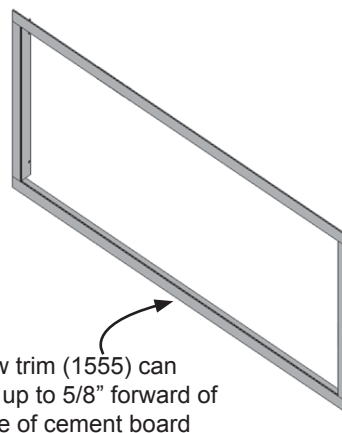
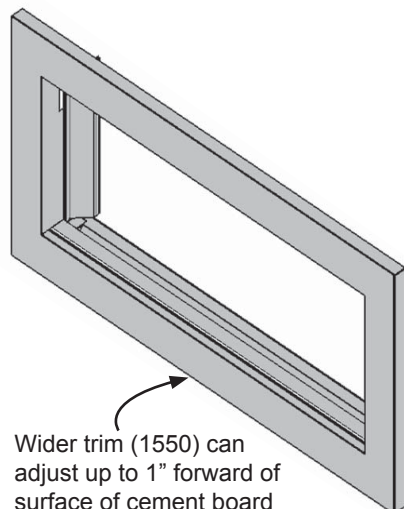
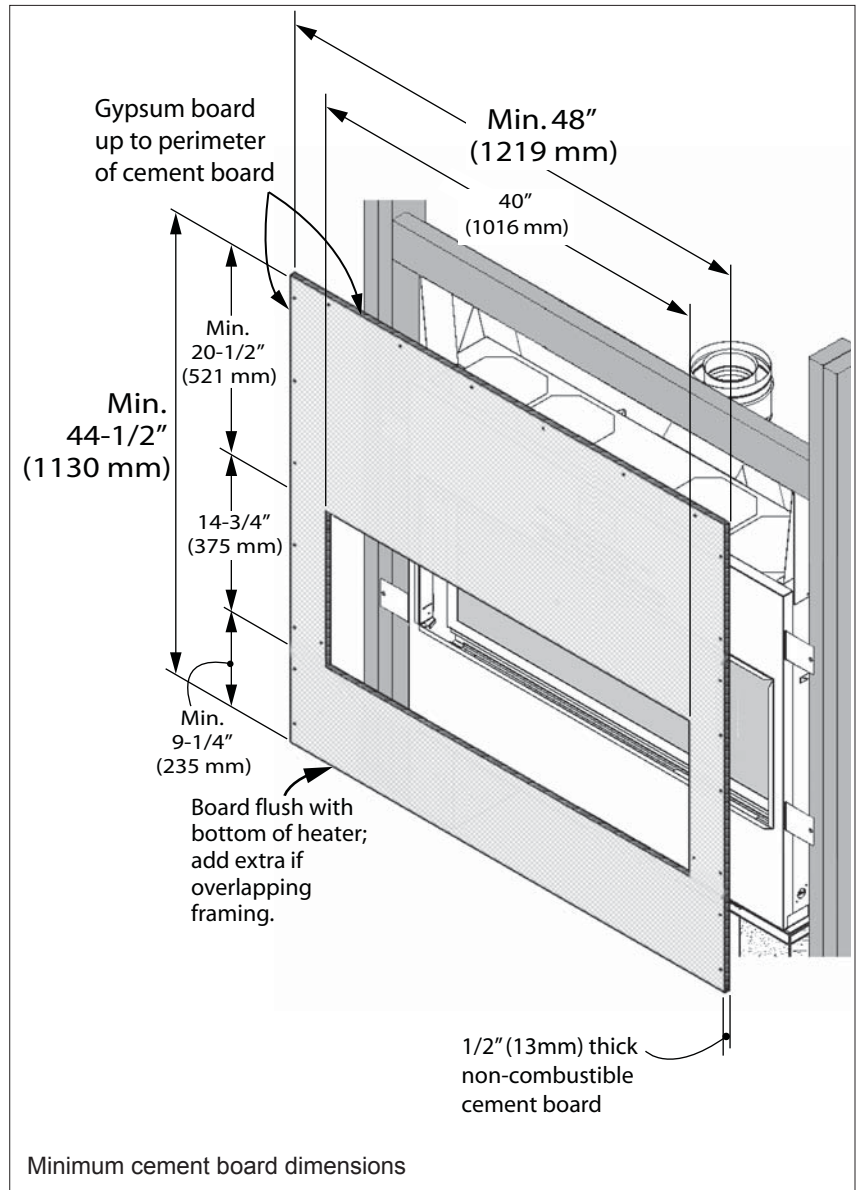
Pre-drill cement board with oversized holes and do not over-tighten screws to avoid cracking due to heat expansion.

Standard gypsum wall board may be used beyond the perimeter of the cement board.

**Non-combustible finishing over cement board**

Additional non-combustible material such as tile, etc., may be applied over top of the cement board or you may choose to leave it finished clean with no tile, etc.—see page 35.

Be aware that a trim is always required and that only the 1555 and 1550 style trims will accept tile, etc. tucked behind them (up to 5/8" thick for the 1555 and up to 1 inch thick for the 1550). Finish **should not cover** the trims.



# Installation

## Cracking wall finishes

If a clean finish with no tile, etc. is desired, joints in the cement board and the transition to gypsum board will require special attention if future cracking is to be controlled. Be aware that temperatures on the non-combustible wall surface above the appliance can exceed 250°F.

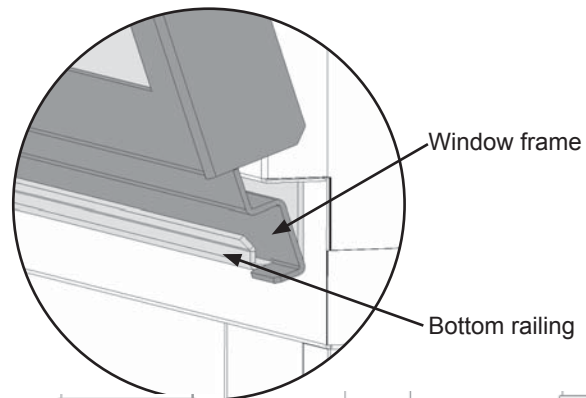
Below are some tips on how to best avoid any cracking:

- Allow materials to dry thoroughly before finishing the wall. Cement board has the ability to absorb up to 30 percent of its weight in water and may shrink as much as 1/8" over a 48" length when drying from a saturated condition. Running the fireplace before final finishing will help drive out moisture.
- Always pre-drill screw holes through cement board and use screws with self-milling head.
- Always use tape over joints.
- Behind joints, double up studs or use studs "on the flat" to add extra support to the joint. Adhesive on the backside of wall board behind any joints can help control differential movement.
- Use multiple, thinner coats of joint compound and allow to dry thoroughly between coats.
- Ensure framing materials are dry.
- After finishing the wall, introduce heat gradually to slowly dry any excess moisture rather than drying too fast.
- Avoid notching cement board or tiles around corners of window opening and instead provide a joint that intersects the corner.

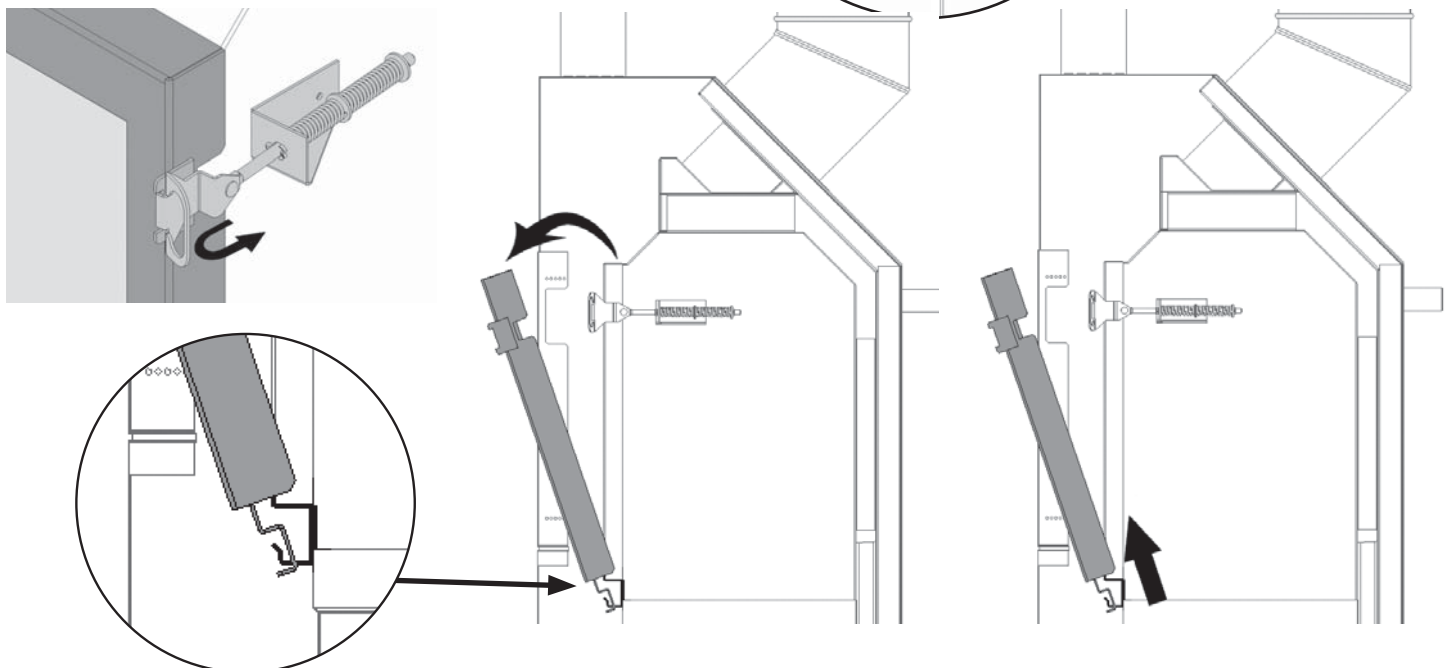
## Remove Window

The window is held in place by a spring-loaded lever on each side.

1. To remove the window, locate the levers on each side of the window towards the top. Using your finger, pull the lever towards you and unhook it from the window frame bracket.
2. Gently pull the top of the window outward.
3. Lift the window out of its bottom railing and set it aside in a safe place to avoid damage.



## Section Views



**Set-up Gas Supply**

The gas supply inlet connection is a 3/8" NPT male connector located on the left hand side of the firebox.

The unit is supplied with a stainless steel flex line to allow the appliance to be disconnected for service. An individual shut-off valve (not supplied) is required on the supply line ahead of the flex connector.

Use only new black iron or steel pipes or copper tubing if acceptable—check local codes. Note that in USA, copper tubing must be internally tinned for protection against sulfur compounds.

Unions in gas lines should be of ground joint type.

The gas supply line must be sized and installed to provide a supply of gas sufficient to meet the maximum demand of the appliance without undue loss of pressure.

Sealant used must be resistant to the action of all gas constituents including LP gas. Sealant should be applied lightly to male threads to ensure excess sealant does not enter gas lines.

Pressure test the supply line for leaks.

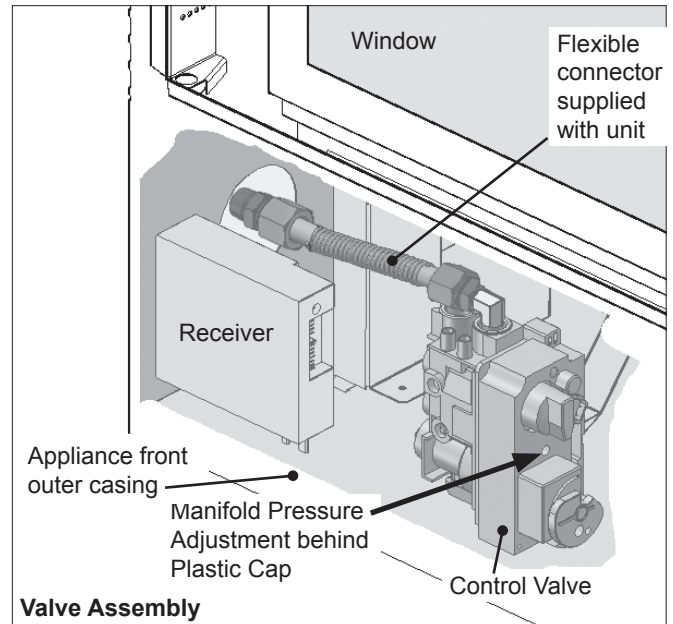
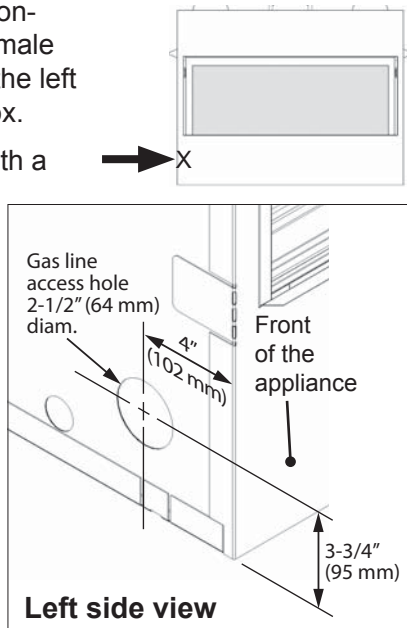
The appliance and its individual shut-off valve must be disconnected from the gas supply piping system during any pressure testing of that system at test pressures in excess of 1/2 psig (3.5 kPa).

The appliance must be isolated from the gas supply piping system by closing its individual manual shut-off valve during any pressure testing of the gas supply piping system at test pressures equal to or less than 1/2 psig (3.5 kPa).

Failure to either disconnect or isolate the appliance during pressure testing may result in regulator or valve damages and void the warranty. Consult your dealer in case of damages.

**Pressure Test Points**

The minimum supply pressure is given in the section *Specifications* of this manual—page 15.



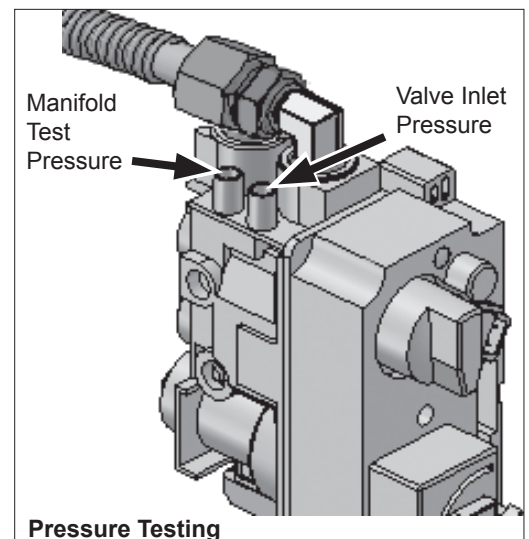
All piping and connections must be tested for leaks after installation or servicing. All leaks must be corrected immediately.

When testing for leaks:

- Make sure that the appliance is turned off.
- Open the manual shut-off valve.
- Test for leaks by applying a liquid detergent or soap solution to all joints. Bubbles forming indicate a gas leak.

**Never use an open flame to check for leaks.  
Correct any leak detected immediately.**

The pressure test tapping locations are shown in the figure at right. An internal regulator within the valve controls the burner manifold pressure. The correct pressure range is shown in the table in section *Specifications* of this manual on page 15. The pressure check should be made with the burner alight and at its highest setting. See *Lighting Instructions* section for full operating details on page 12.



# Installation

## Install Liners

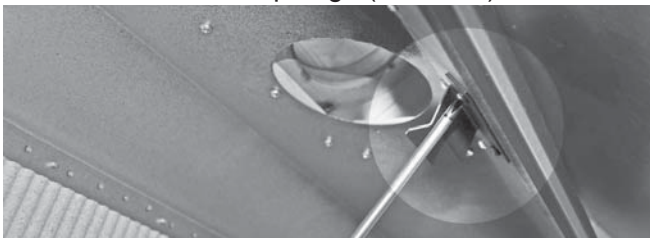
The liners install in the manner outlined below **with the exception of the 1525RGL—Reflective Glass Liners**: see instructions supplied with the liners.

Unpack the liner panels carefully.

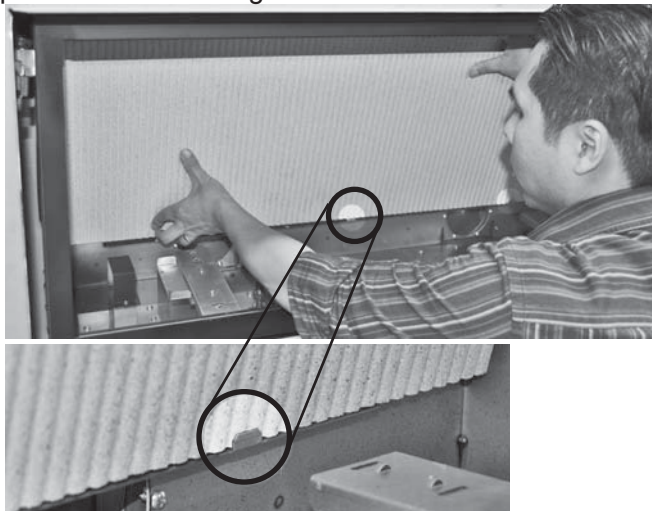
1. Inside the firebox, on the top of each side, release the screw of the side panel anchors (one per side) just enough to allow them to rotate.



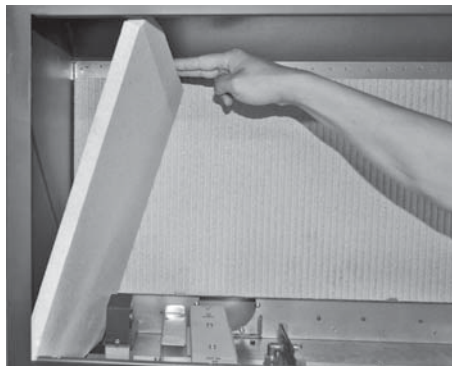
2. Remove the top panel support located in the center of the firebox at the top edge (2 screws).



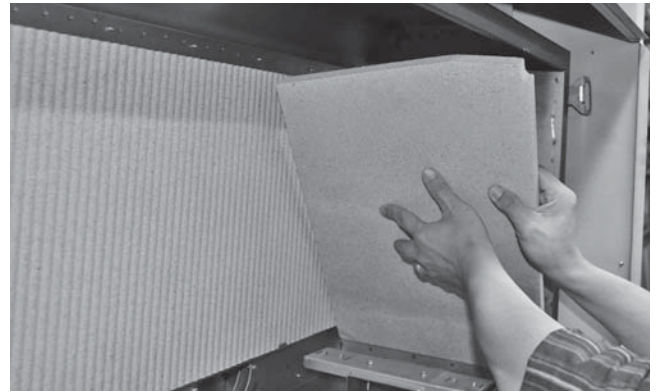
3. Place the rear panel, beveled edge on top, on the ledge above the ports of the rear of the firebox. The panel sits on the ledge behind the tabs.



4. Place the left panel against the left wall of the firebox.



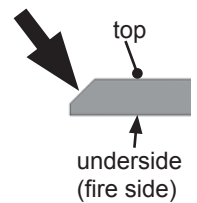
5. Place the right panel against the right wall of the firebox.



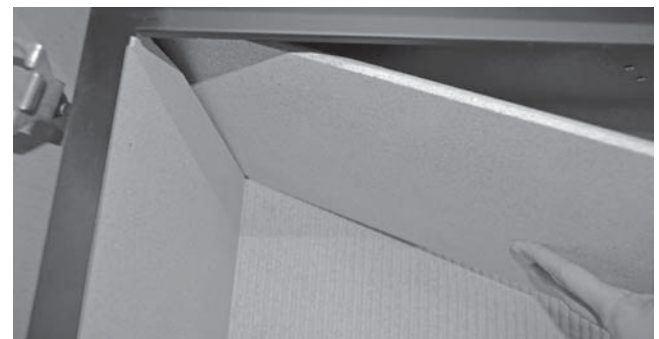
6. Tighten the side panel anchors on each side of the firebox.



7. Insert the top panel over the top of one of the side panels as far as possible. The bevel goes on the top and straight edge fire side. Rotate the other end of the top panel upwards and pull it back to rest on the other side panel. Center the top panel and push as far back as possible to rest it on the rear panel.



**NOTE:** If the space is too tight, the top panel can be installed before the right panel. In this case, install the right panel last.



8. Reinstall the top panel support (2 screws).

## Install Driftwood Kit 1505DWK

### Material required

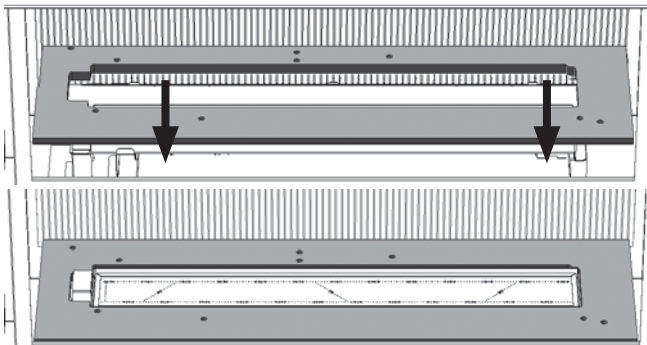
- Black steel platform (supplied with appliance)
- Small container to distribute vermiculite (not included)
- Driftwood Kit containing:
  - ◊ 5 logs
  - ◊ 6 pebbles
  - ◊ 1 bag of vermiculite

### Installation

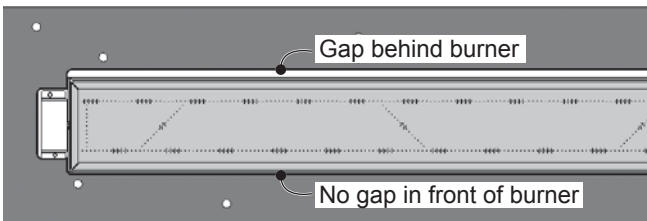
#### Platform

Carefully unpack the kit.

1. Install the steel platform around the burner as indicated. The openings in the platform should be underneath. Push the platform as far back as possible to maximize the air gap behind the burner.



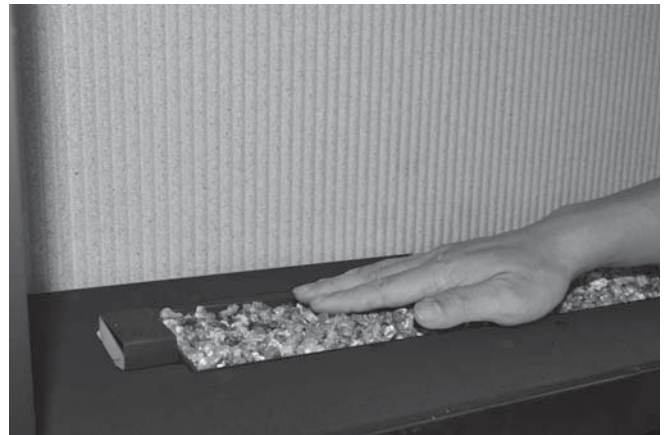
Installed platform



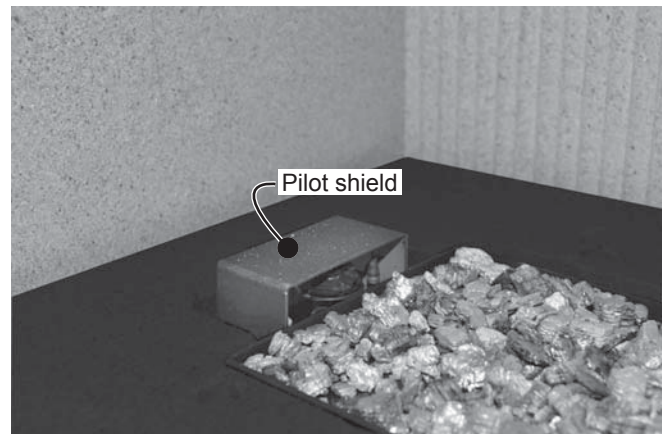
Top view—platform

2. Fill a small container with the equivalent of approximately 3 cups (750 ml) of vermiculite from the bag supplied.

3. Carefully spread the vermiculite on the surface of burner patting it gently with your hand to form a single layer to the approximate level of the top of the flange at the edge of the burner. Do not pour too much to avoid blocking the burner ports.



**NOTE:** Ensure the area within the pilot shield is clear of vermiculite.



# Installation

## Logs and rocks

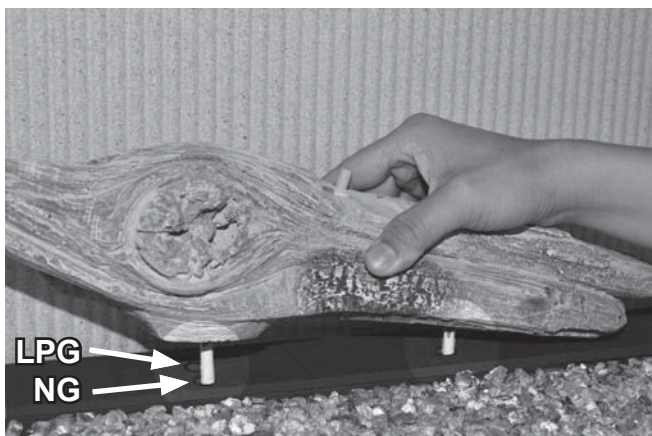
Each log has pegs to help you locate them on the platform. Install the logs as shown below.

1. Place the rear log in the center of the firebox at the rear.

NOTE: There are two holes for the left peg of this log.

Place the log's left peg in the front hole for natural gas (NG) fire.

Place the log's left peg in the rear hole for propane gas (LPG) fires.



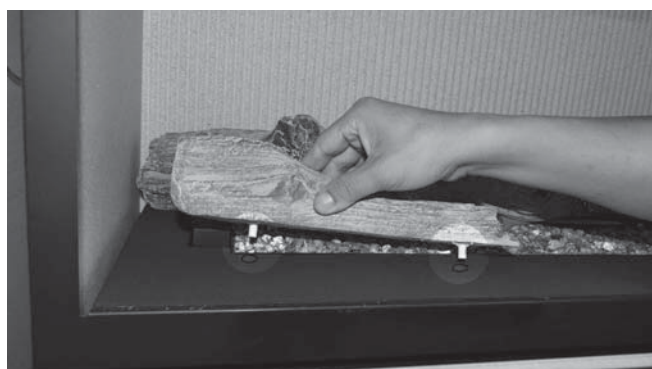
2. Place the rear left log as indicated.



3. Place the rear right log as indicated.



4. Place the front left log as indicated.



5. Place one end of the cross log on the rear center log as indicated and rest its other end on the platform in front of the burner.



Logs installed

## Installation

- Some vermiculite may be added outside the burner on the platform if desired.
- Place the rocks on the platform as shown below. You can also place one or two rocks on the vermiculite as shown.

**⚠ WARNING**  
**CHOKING HAZARD!** Ensure that the fireplace area is clear of vermiculite particles as these could be ingested by small children. Vacuum area after installation.



Long Beach Driftwood Kit installed

### Install Decorative Glass Murano 1500DGM

#### Material required

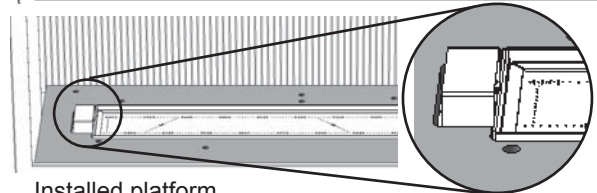
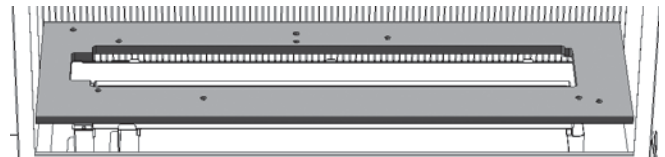
- Steel platform (supplied with appliance)
- Small container to distribute fireglass (not included)
- Murano Glass Fire Kit, which contains:
  - ◇ 1 bag of clear 1/2" fireglass
  - ◇ 1 glass platform

**IMPORTANT:** Approved for use only with the fireglass provided with your Valor fireplace or the tempered crushed fireglass brands *American Fireglass™* or *firegear*. The use of any other fireglass products may void your fireplace warranty.

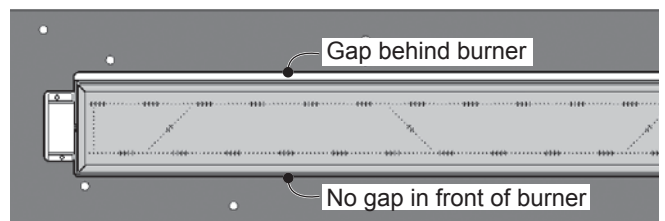
#### Installation

Carefully unpack the kit.

1. Install the steel platform around the burner as indicated. The openings in the platform should be underneath. The edge of the burner protrudes above the platform. Push the platform as far back as possible to maximize the air gap behind the burner.



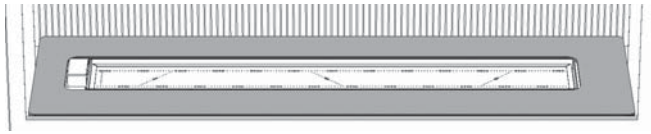
Installed platform



Top view—platform

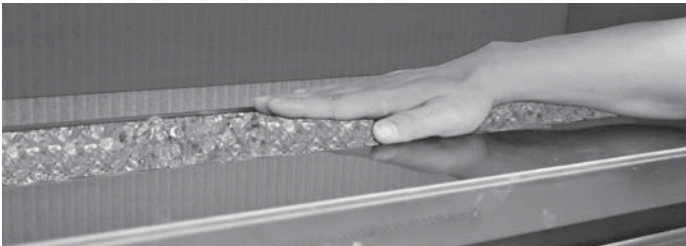


2. Install the glass plate on the platform, the textured side underneath and the smooth side on top. The plate is flush with the edge of the burner. Like for the steel platform underneath, push the glass platform as far back as possible to maximize the air gap behind the burner.



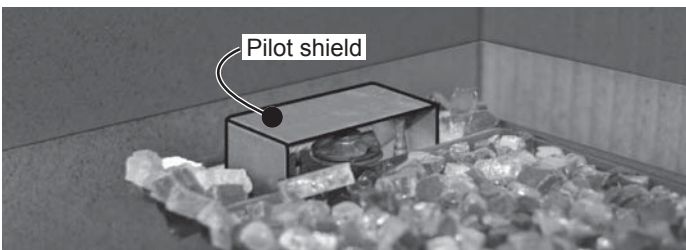
Installed glass plate

3. Fill a small container with approximately 3 cups (750 ml) of fireglass.
4. Carefully spread the fireglass on the surface of burner patting it gently with your hand to form a single layer to the approximate level of the top edge of the flange around the burner. Do not pour too much to avoid blocking the burner ports.



5. Some fireglass may be added on the platform to cover the edge of the burner and in the space in front and behind the pilot shield.

**NOTE:** Ensure the area *within* the pilot shield is clear of fireglass.



**! WARNING**  
**CHOKING HAZARD!** Ensure that the fireplace area is clear of fireglass particles as these could be ingested by small children. Vacuum area after installation.

## Install Decorative Glass Set 1500DGS

### Material required

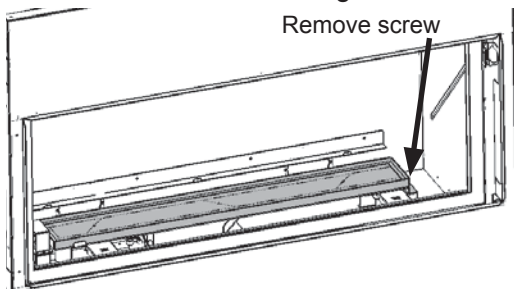
- Middle platform brackets (supplied with set)
- Small container to distribute fireglass (not included)
- Decorative Glass Set, which contains:
  - ◊ 3 bags of crushed glass
  - ◊ 1 metal tray for glass

**IMPORTANT:** Approved for use only with the fireglass provided with your Valor fireplace or the fireglass brands *American Fireglass™* or *firegear*. The use of any other fireglass products may void your fireplace warranty.

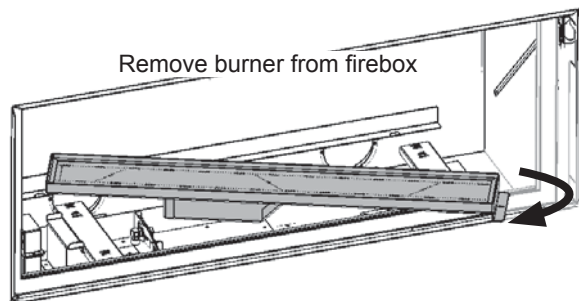
### Installation

Carefully unpack the kit. To install this kit, the burner must be removed to flip the platform supports under the burner.

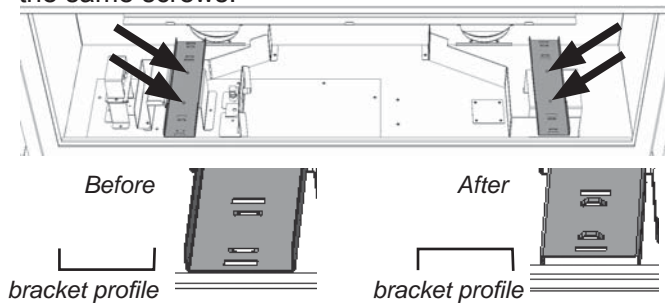
1. Remove the screw at the right end of the burner.



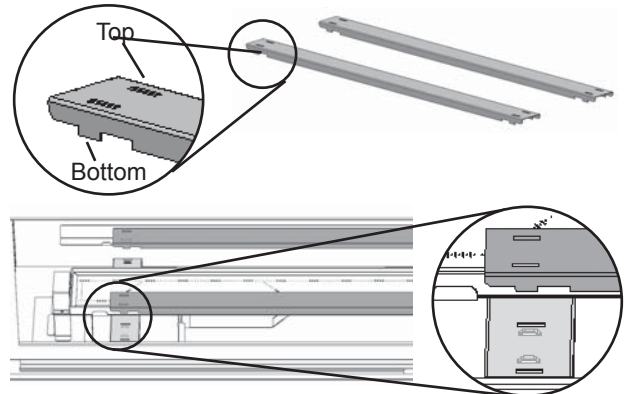
2. Slide the burner to the right to disengage it from the orifice and lift it out of the firebox.



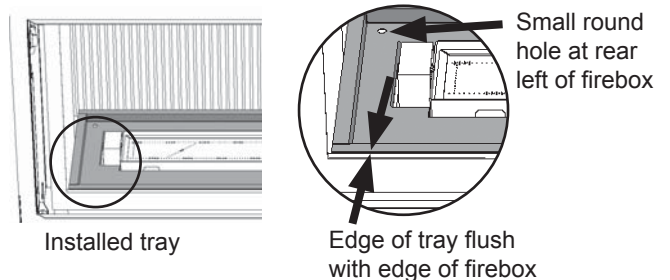
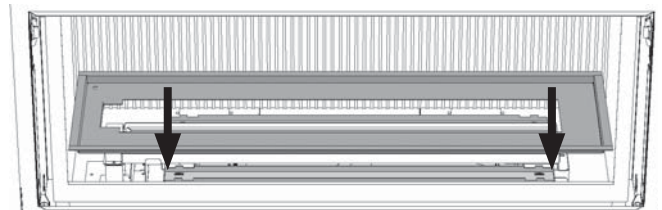
3. Remove the two platform supports (2 screws each), flip them upside down and secure them back with the same screws.



4. Re-install the burner locating its left end within the burner support and sliding the burner to the left while centering it onto the injector elbow. Fix the burner support screw at the right end of burner to the burner support *while pushing the burner to left to ensure tight fit against the gasket.*
5. Install both middle platform brackets in front of and behind the burner, with the tabs downward, the tabs inserted into the slots of the platform supports as indicated.

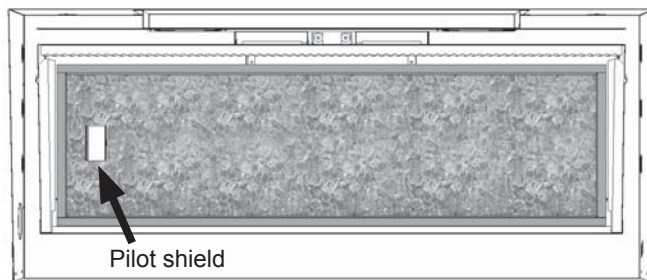


6. Install the metal tray on top of the brackets as indicated. The tray, when installed properly, is flush with the front edge of the firebox opening. As well, the small round hole in the tray should be at the rear left when facing the firebox.



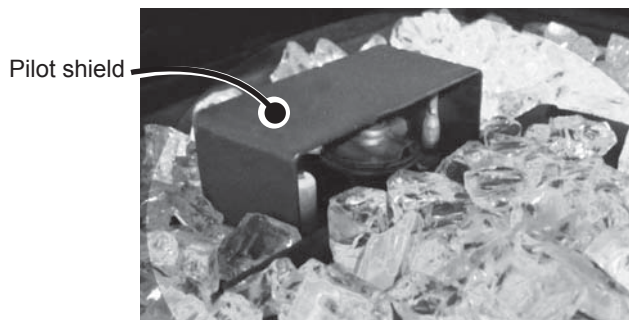
## Installation

- Carefully spread the fireglass in the tray and on the burner. Do not overfill the burner to avoid blocking the burner ports. Ideally, one layer of fireglass on the burner is sufficient.



Fireglass installed—top view

**NOTE:** Ensure the area around the pilot shield is not piled too high with fireglass and also ensure the area **within** the pilot shield is clear of fireglass.



### **WARNING**

**CHOKING HAZARD!** Ensure that the fireplace area is clear of fireglass particles as these could be ingested by small children. Vacuum area after installation.

## Install Rocks & Shale Set 1514RSS

### Material required

- Black steel platform (supplied with appliance)
- Small container to distribute shale (not supplied)
- Rock & Shale Set, which contains:
  - ◊ 1/2lb-bag of 3/4" grey shale
  - ◊ 1/2lb-bag of 3/4" black shale
  - ◊ 5 twigs
  - ◊ 29 rocks

### Installation

#### Platform

Carefully unpack the kit.

Install the steel platform around the burner as indicated. The openings in the platform should be underneath. Push the platform as far back as possible to maximize the air gap behind the burner.

#### Rocks, Shale & Twigs

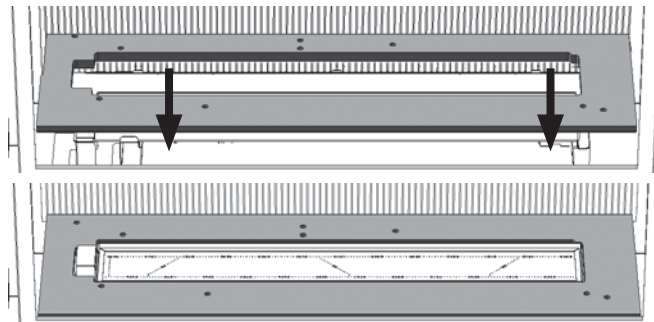
1. Place three rocks on the burner, one at each end and one in the middle as indicated. The rocks should not sit on top of the burner ports but can overhang slightly.

**Note:** Although these rocks can be installed after the shale is distributed, it is recommended to install them first to obtain a better flame display.

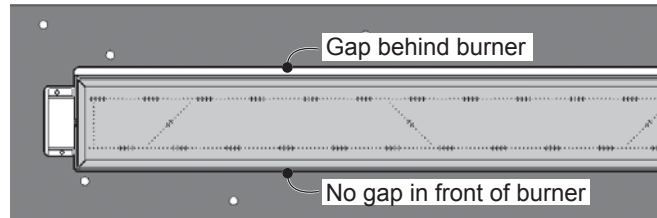
**IMPORTANT:** Use only the ceramic rocks, twigs and shale provided with your Valor fireplace. The use of any other types of rocks, twigs or shale may void your fireplace warranty.

**⚠ WARNING**

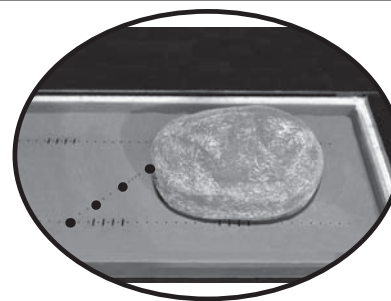
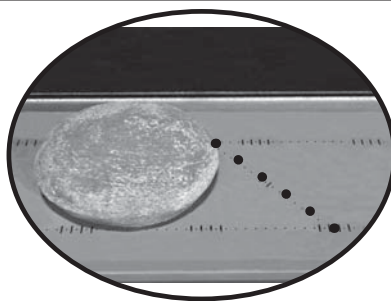
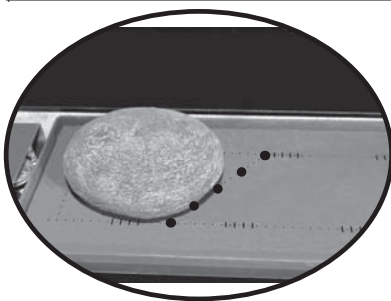
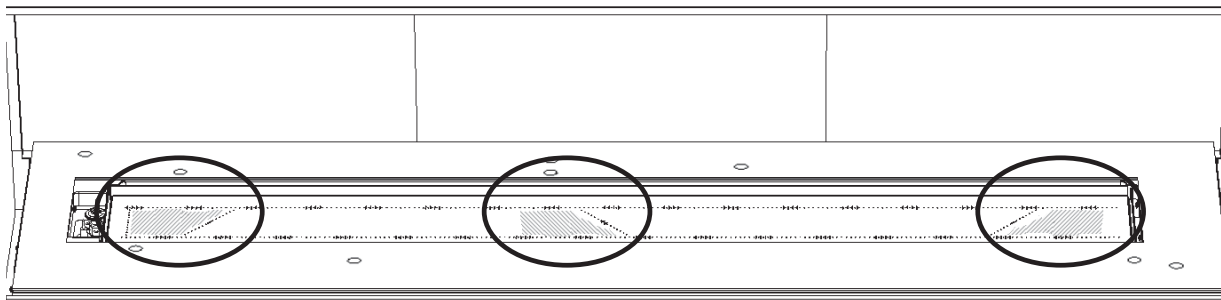
**CHOKING HAZARD!** Ensure that the fireplace area is clear of shale pieces as these could be ingested by small children. Vacuum area after installation.



Installed platform



Top view—platform



## Installation

- Mix the black and grey shale pieces and spread them in one layer thick on top of the burner around the three rocks. **Do not overfill!**



- Install the rocks around the shale bed according to the image shown below.

**Note:** Some of the rocks may overhang slightly over the burner edge.

- Add the twigs to the rocks placing them as shown.

**Note:** The position of the twigs are specific to obtain the best flame pattern.

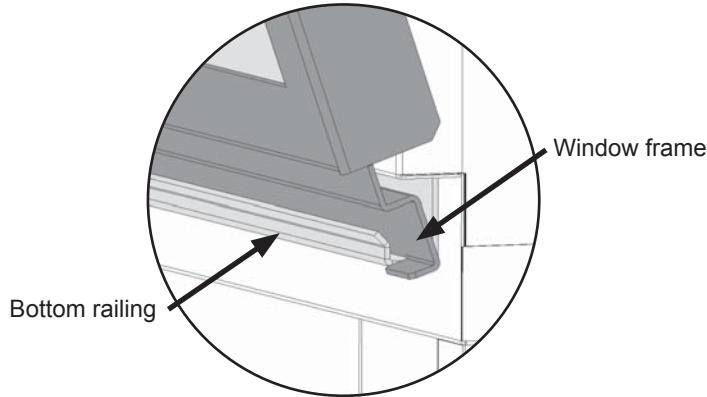
**Note:** The acceptable variations are only for rocks installed on the black platform outside of the shale bed or pilot shield. **Do not put any rock on the pilot shield! Do not put more rocks on the shale bed than what is shown below!**



Rocks & shale fuel bed installed

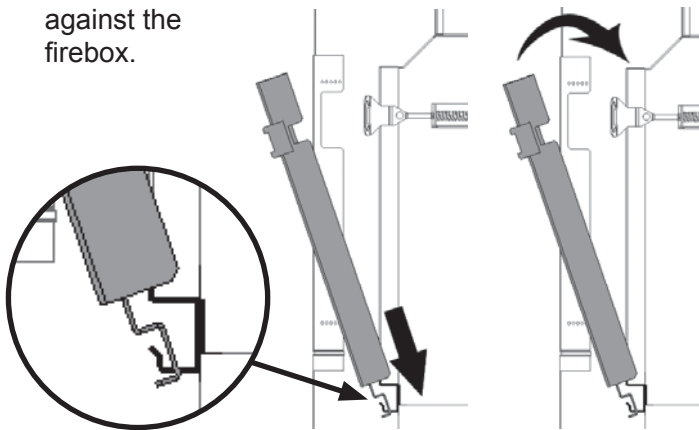
**Refit Window**

1. To refit the window, place it in its bottom railing.  
**Ensure there is no glass or vermiculite particles in the bottom railing.**

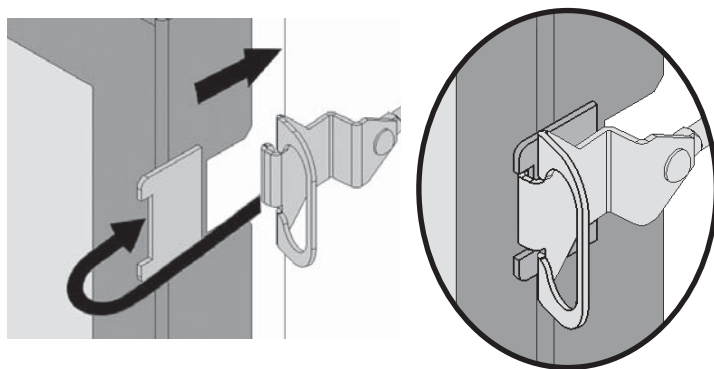


2. Push the top of the window frame against the firebox.

**Section Views**



3. While you hold it, pull the side levers back into the window brackets on each side.



4. Apply firm hand pressure around the window frame to ensure the window is sealed tight against the firebox..

**! DANGER**

The window unit must be correctly installed, fastened and sealed after servicing or serious bodily injury and/or damage to the appliance may result.

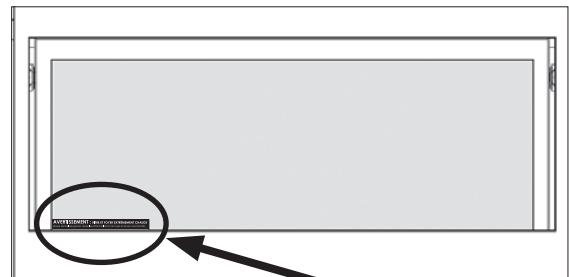
To ensure a safe operation:

- Double-check that the bottom of the window frame is correctly installed in the bottom support railing;
- Verify that the levers are hooked properly to the window tabs then;
- Pull out the top of the window and release it to insure the springs return it;
- Ensure the window is sealed before operation.

**! WARNING**

Failure to install the window correctly can leak carbon monoxide, affect the performance of the fireplace, damage components, cause overheating resulting in dangerous conditions. Damage caused by incorrect window installation is not covered by the Valor warranty.

5. If the Hot Glass Warning plate has been removed from the front lower corner of the window, reinstall it by sliding it between the glass and the frame as indicated.



**! WARNING: EXTREMELY HOT GLASS AND FIREPLACE**  
Risk of severe burns. Keep Children away from fireplace & controls.  
**AVERTISSEMENT : VITRE ET FOYER EXTREMEMENT CHAUDS**  
Risque de brûlures graves. Tenir les enfants à l'écart du foyer et des commandes.



Hot Glass Warning Plate

# Installation

## Install Remote Battery and Wall Switch Kit RBWSK (required)

The Remote Battery and Wall Switch Kit is provided with this appliance. It is connected to the receiver in the fireplace.

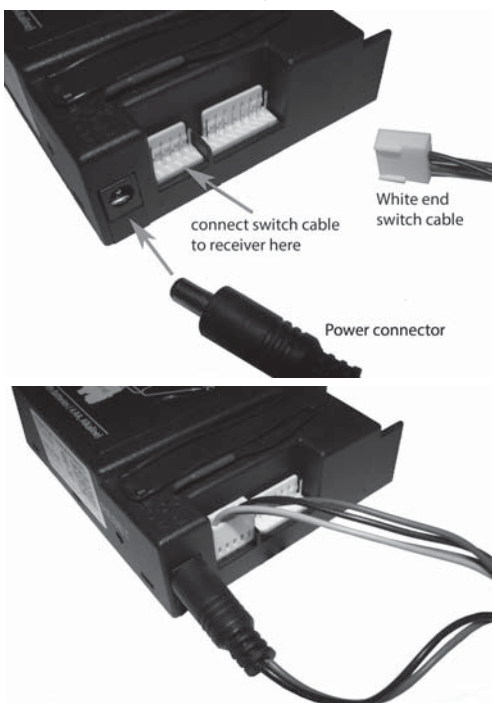
### Material required

- 4 AA 1.5V alkaline batteries supplied with the engine
- Remote Battery and Wall Switch Kit, which contains:
  - ◇ 1 Wall Switch
  - ◇ 4 Screws
  - ◇ 1 Battery Holder
  - ◇ 1 Plate with magnets
  - ◇ 1 Battery Cover assembly
  - ◇ 1 Harness assembly - 25 ft
  - ◇ 1 Junction Box
  - ◇ 1 Cover plate and Screws
  - ◇ 1 Cable tie

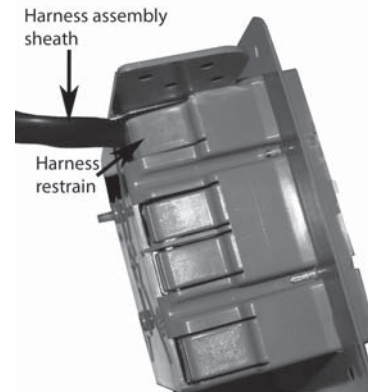
### Installation

The receiver is located on the left side of the appliance, left of the control valve behind the appliance's front panel. It is maintained in position with *Velcro* bands.

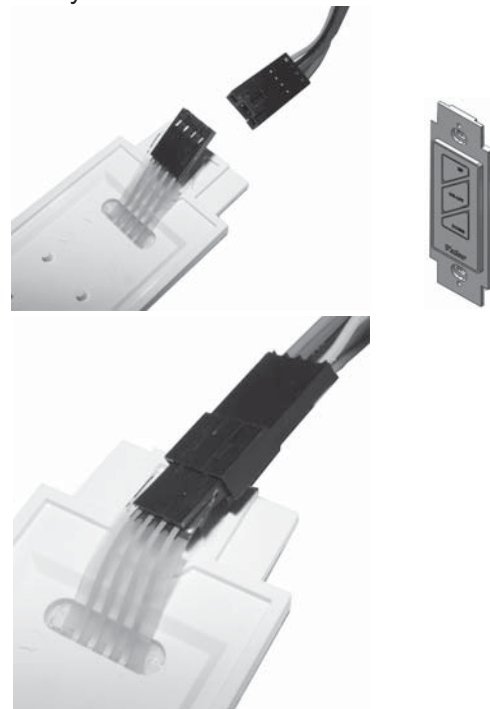
1. Pull out the receiver from its location to connect the battery holder and wall switch.
2. Feed the 'white connector end' of the harness assembly through side holes in fireplace liner body to receiver. Ensure sufficient harness length to allow for removal of receiver. Note - coil up any extra harness at fireplace end.
3. Connect switch to auxillary 5-pin junction and power connection to jack.



4. Run harness assembly to mounted position of junction box, securing harness to framing using insulated staples (not included)
5. Feed harness assembly through a restrain on rear of junction box, feeding through until harness sheath is pinched by retainer and providing sufficient length to make connection to rear of switch and battery holder.



6. Secure junction box to the mounting surface using appropriate fasteners (not included)
7. Align molex connection on switch cable of harness assembly and connect to switch.

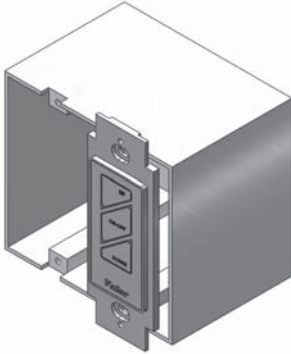


### CAUTION

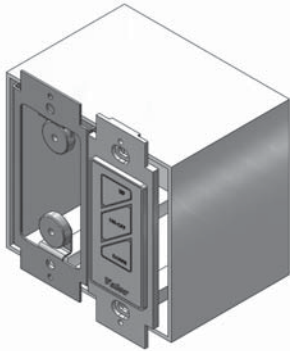
**Do not run the switch wire over the top of the firebox.** Route the wire so it does not contact the firebox.

## Installation

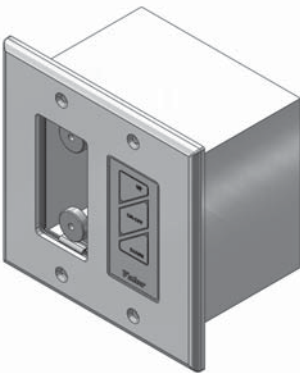
8. Mount switch plate to junction box with 2 screws provided note: switch position left or right to suit homeowner wishes.



9. Locate and secure magnet plate using 2 'long' screws provided

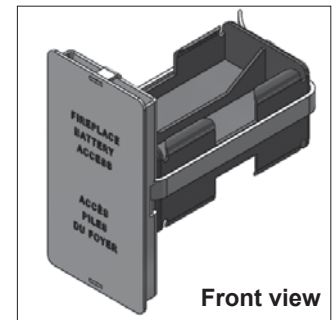
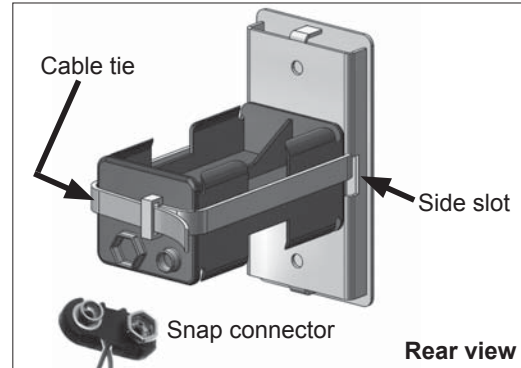


10. Place and secure cover plate to box using 4 screws provided



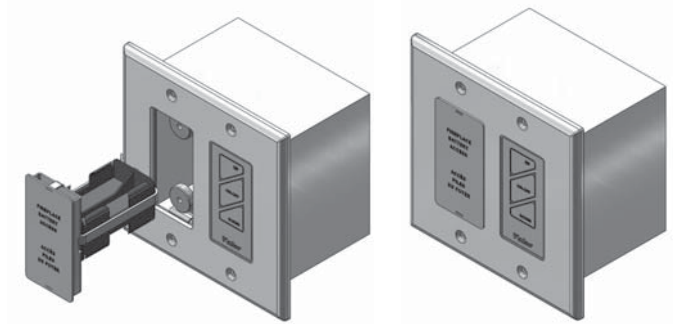
11. Feed cable tie through the 2 side slots of battery cover assembly.

12. Position battery holder to rear face and secure together with cable tie. note clearance is required for battery snap connection.



13. Make the snap connection, load 4 AA alkaline batteries into holder (included with fireplace) then feed back into junction box assembly.

**Note: Do not put batteries in the receiver, only in the battery holder by the wall switch.**



14. Test the operation of the wall switch—see page 9.



## Installation

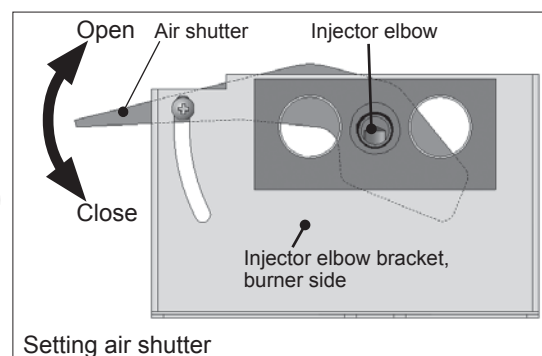
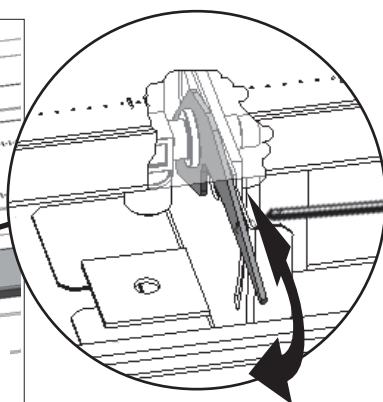
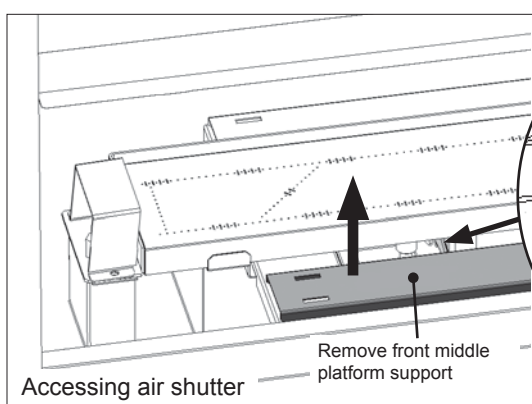
### Check Operation

Turn the fireplace flame up and down using the wall switch to confirm that the full range of inputs is achieved—see the wall switch operation instructions on page 9.

### Set Aeration (if necessary)

Light the fire and allow the unit to warm up for 10–15 minutes to evaluate the flame picture. The burner is equipped with an adjustable shutter to control primary aeration (NG only). The shutter is factory-set to an aeration gap which will give optimum performance for the vast majority of installations.

### Air Shutter



In a few unusual installations, the flame picture may be improved by adjusting the aeration. The need for adjustment should be determined only by operating the appliance with the fuel bed and window installed.

**Increasing aeration** will cause the flames to appear more transparent and blue showing more ceramic effects glow.

**Decreasing aeration** will cause the flames to appear more yellow or orange showing less ceramic effects glow.

**Too little aeration may result in black carbon forming and dropping into the firebox.**

To access the air shutter, remove the front middle platform as indicated. The air shutter is located under the burner as shown in the illustrations.

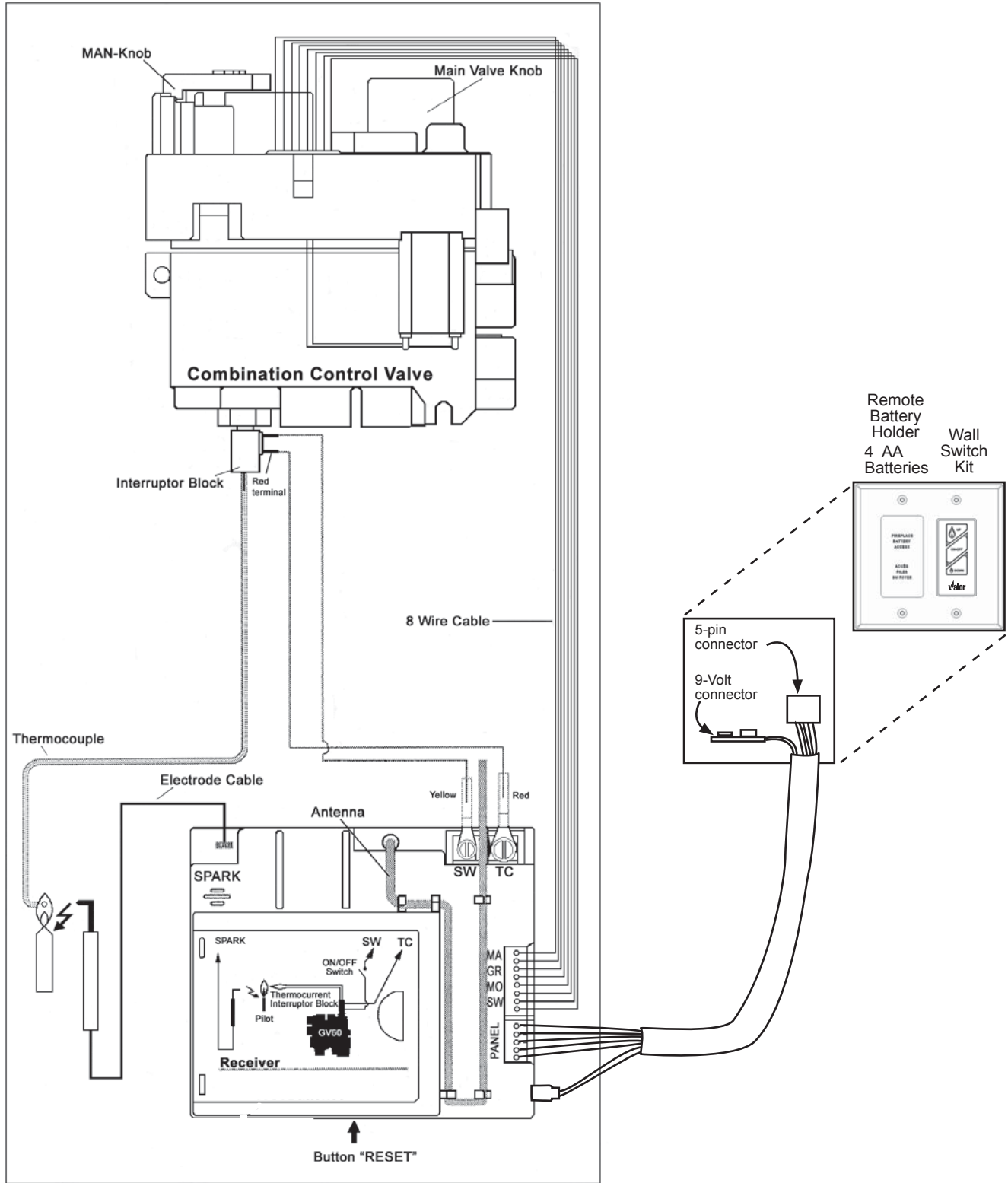
### Install Trim and Barrier Screen

Install the trim chosen by the customer for the fireplace. Install as well the barrier screen which is provided with the trim.

Show the customer how to remove the barrier screen to access the controls.

Follow the instructions provided with the trim and leave those instructions behind for the customer's future reference.



# Wiring Diagram



GV60 Wiring Diagram

# Approved Venting Components

**QUALIFIED  
INSTALLER**

Approved Direct Vent Suppliers for Valor Outdoor Fireplace Model 1500										
  <b>Venting Parts Description</b>		Venting Parts Code / availability by Manufacturer							BDM	
		DURA-VENT	SELKIRK	ICC EXCEL DIRECT	SECURE VENT	RLH INDUSTRIES	AMERIVENT	MILES INDUSTRIES		
Termination Caps	Horizontal	Standard Co-axial	46DVA-HC	4DT-HC	TM-4HT	—	—	4DHC round	658DVK2	940160
		Deluxe Co-axial	—	—	TM-4DHT	—	—	4DHCS square	—	940160
		High Wind Co-axial	—	—	—	SV4CHC	—	—	—	—
	Vertical	Standard Co-axial	46DVA-VC	4DT-VC	TM-4VT	—	HSDV4658-1313	4DVC	—	940264
								4DH-1313		940364
								—		940206LP
		High Wind Co-axial	46DVA-VCH	—	—	SV4CGV	—	—	—	—
	Extended Co-axial	46DVA-VCE	—	—	—	—	—	—	—	
Snorkel, 14" Rise	46DVA-SNK14	4DT-ST14	TM-4ST14	—	—	—	4D14S	—	94040614	
Snorkel, 36" Rise	46DVA-SNK36	4DT-ST36	TM-4ST36	—	—	—	4D36S	—	94040636	
Adjustable Pipe Length 4" x 6-5/8"	4" to 10"	Galvanized	—	4DT-ADJ	—	—	—	4D7A or 4D7AB (3" to 5")	—	94610608 (4" to 8-1/2")
		Black		4DT-ADJ(B)						
	1-1/2" to 6"	Galvanized	—	—	—	—	—	4D12A or 4D12AB (3" to 10")	—	94610616 (4" to 16")
		Black								
	1-1/2" to 12"	Galvanized	—	—	TC-4DLT	SV4LA12	—	4D16A or 4D16AB (3" to 14")	—	—
		Black			TC-4DLTB	SV4LBA12				
	1-1/2" to 24"	Galvanized	—	—	—	SV4LA24	—	4D26A or 4D26AB (3" to 24")	—	—
		Black				SV4LBA24				
DV 45° Elbows	Galvanized		46DVA-E45	—	TE-4DE45	—	—	4D45L	—	94620645
	Black		46DVA-E45B	—	TE-4DE45B	SV4EBR45	—	4D45LB	—	94620645B
	Galvanized Swivel		—	4DT-EL45	—	SV4E45	—	—	—	—
	Black Swivel		—	4DT-EL45(B)	—	SV4EB45	—	—	—	—
DV 90° Elbows	Galvanized		46DVA-E90	—	TE-4DE90	—	—	4D90L	—	—
	Black		46DAV-E90B	—	TE-4DE90B	SV4EBR90	—	4D90LB	—	—
	Galvanized Swivel		—	4DT-EL90	—	SV4E90	—	—	—	94620690
	Black Swivel		—	4DT-EL90(B)	—	SV4EB90	—	—	—	94620690B

## Approved Venting Components

Venting Parts Description			Venting Parts Code / availability by Manufacturer							
			DURA-VENT	SELKIRK	ICC EXCEL DIRECT	SECURE VENT	RLH INDUSTRIES	AMERIVENT	MILES INDUSTRIES	BDM
Pipes 4" x 6 5/8" ( ID x OD )	6" long	Galvanized	46DVA-06	4DT-06	TC-4DL6	SV4L6	—	—	—	94610606
		Black	46DVA-06B	4DT-06(B)	TC-4DL6B	SV4LB6	—	—	—	90410606B
	7" long	Galvanized	—	—	—	—	—	4D7	—	—
		Black	—	—	—	—	—	4D7B	—	—
	9" long	Galvanized	46DVA-09	4DT-09	—	—	—	—	—	94610609
		Black	46DVA-09B	4DT-09(B)	—	—	—	—	—	94610609B
	12" long	Galvanized	46DVA-12	4DT-12	TC-4DL1	SV4L12	—	4D12	—	94610612
		Black	46DVA-12B	4DT-12(B)	TC-4DL1B	SV4LB12	—	4D12B	—	94610612B
	18" long	Galvanized	46DVA-18	4DT-18	—	—	—	—	—	94610618
		Black	46DVA-18B	4DT-18(B)	—	—	—	—	—	94610618B
	24" long	Galvanized	46DVA-24	4DT-24	TC-4DL2	SV4L24	—	4D2	—	94610624
		Black	46DVA-24B	4DT-24(B)	TC-4DL2B	SV4LB24	—	4D2B	—	94610624B
	36" long	Galvanized	46DVA-36	4DT-36	—	SV4L36	—	4D3	—	94610636
		Black	46DVA-36B	4DT-36(B)	—	SV4LB36	—	4D3B	—	94610636B
	48" long	Galvanized	46DVA-48	4DT-48	TC-4DL4	SV4L48	—	4D4	—	94610648
		Black	46DVA-48B	4DT-48(B)	TC-4DL4B	SV4LB48	—	4D4B	—	94610648B
Flashings	Roof Flashing 0/12-6/12		46DVA-F6	4DT-AF6	TF-4FA	SV4FA	—	4DF (0/12-5/12)	—	949606012
	Roof Flashing 7/12-12/12		46DVA-F12	4DT-AF12	TF-4FB	SV4B	—	4DF12 (6/12-12/12)	—	949606712
	Flat Roof Flashing		46DVA-FF	—	TF-4F	SV4F	—	—	559FSK	949606001
	Masonry Flashing		—	—	TF-4MF	—	—	—	—	—
	New Siding Flashing		—	—	—	—	—	—	658NSFK	—
Various Venting System Parts	Wall Thimble		46DVA-WT	4DT-WT	TM-4WT	SV4RSM	—	4DWT	—	949064U
	Storm Collar		46DVA-SC	4DT-SC	TM-SC	SV4AC	—	4DSC	—	94960608
	Decorative Plate		46DVA-DC	4DT-CS	TM-4TR	SV4PF	—	4DFPB	—	94940612
	Cathedral Ceiling Support		46DVA-CS	4DT-CCS	—	—	—	4DRSB	—	949506KT
	Ceiling Firestop / Floor Support		46DVA-FS	4DT-FS	TM-CS	SV4BF SV4SD	—	4DFSP	—	94980612
	Attic Radiation Shield / Firestop		—	—	TM-4AS	—	—	4DAIS12 (12") 4DAIS36 (36")	—	94930620A
	Wall Strap		46DVA-WS	4DTWS	TM-WS	—	—	4DWS	—	949164
	Vinyl Siding Standoff		46DVA-VSS	4DT-VS	TM-VSS	SV4VS	—	4DHVS	—	94800615S
	Elbow Strap / Offset Support		46DVA-ES	4DT-OS	TM-OS	—	—	—	—	949264
	Terminal Guard		46DVA-WG	—	—	—	—	—	845TG 658TG	940164SHRD

- Notes:**
1. Follow instructions supplied with each manufacturer's components.
  2. Unless otherwise specified, all the parts and assemblies from the above table are to be used with 4" x 6-5/8" pipes.
  3. **Do not mix components from different vent manufacturers.**
  4. Termination caps manufactured by RLH Industries or American Metal Products are from Homestyle Chimney Collection and can be ordered in one of the following finishes: a) aluminium; b) black powder coated; c) solid copper.

## Warranty

Outdoor Installations  
Warranty

**If you have a problem with this unit, please contact your dealer or supplier immediately. Under no circumstances should you attempt to service the unit in any way by yourself. The warranties in paragraphs 1 are provided only to the initial owner of this unit, are not transferable and are subject to the conditions and limitations in paragraphs 2, 3. Please review the conditions and limitations carefully and strictly follow their requirements.**

**1. Two-Year Parts Warranty**

Two (2) years from the date of purchase, the Company, at its option, will repair or exchange all parts and components that are found to have a *bona fide* defect in material or workmanship under normal conditions of use.

**2. Conditions and Limitations**

- a) The warranty registration card must be completed by the initial owner and returned to the company within 90 days. Alternatively, the warranty registration form may be filled out online at [www.valorfireplaces.com](http://www.valorfireplaces.com)
- b) Installation and maintenance must be performed by an authorized and trained dealer in accordance with the Company's installation instructions.
- c) This warranty is void where installation of the unit does not conform to all applicable codes including national and local gas appliance installation codes and building and fire codes.
- d) The owner must comply with all operating instructions.
- e) The Company is not responsible for the labor costs to remove defective parts or re-install repaired or replacement parts.
- f) The initial owner of the unit will be responsible for any shipping charges for replacement parts as well as travel time incurred by the dealer to perform the warranty work.
- g) This warranty applies to non-commercial use and service and is void if it is apparent that there is abuse, misuse, alteration, improper installation, accident or lack of maintenance to the unit.
- h) This warranty does not cover damage to the unit due to:
  - i) Improper installation, operational or environmental conditions.
  - ii) Inadequate ventilation in the area or competition for air from other household equipment or appliances.
  - iii) Damage due to chemicals, dampness, condensation, or sulphur in the fuel supply lines which exceeds industry standards.
- i) This warranty does not cover glass, log breakage or damage to the unit while in transit.
- j) The Company does not allow anyone to extend, alter or modify this warranty and assumes no responsibility for direct, indirect or consequential damages caused by the unit. State or provincial laws where the initial owner or user resides may provide specific rights extending this warranty and, if so, the Company's sole obligation under this warranty is to provide labor and/or materials in accordance with those laws.

**3. No Other Warranty**

All obligations to repair this unit are defined in this warranty. Some states or provinces may specifically mandate additional obligations on the part of manufacturers, but in the absence of such specific legislation, there is no other warranty or obligation expressed or implied.

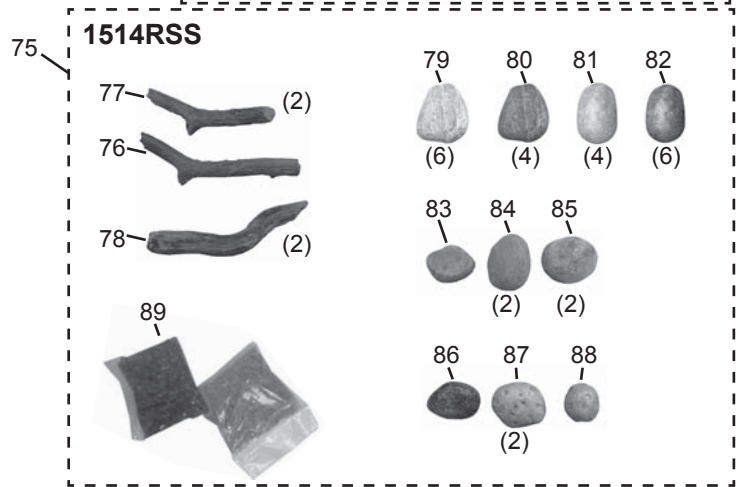
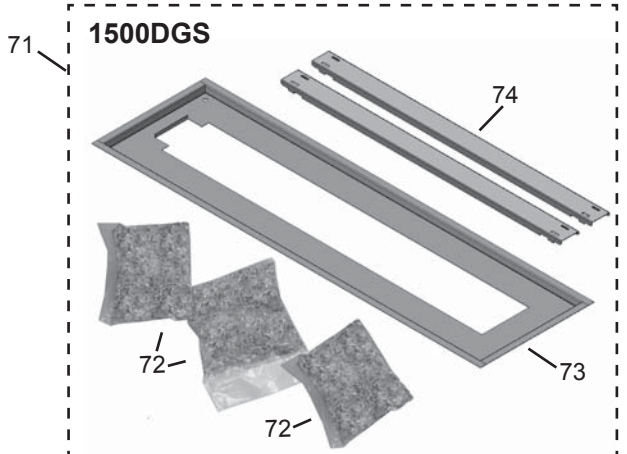
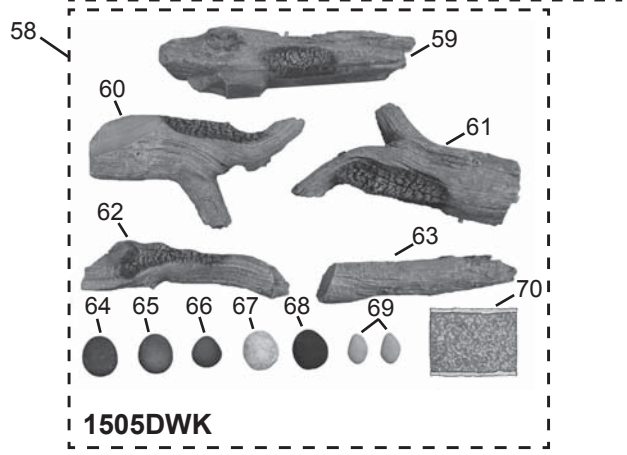
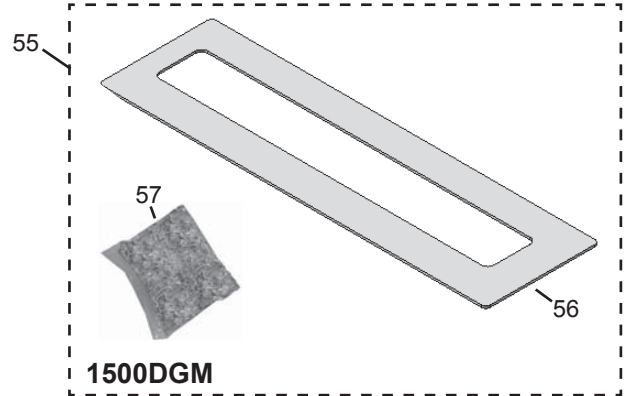
## Spare Parts

Code	Description	Part Number
1	Heat shield	4003049
2	45 degrees flanged elbow	0945M
3	Elbow gasket	4002999
4	Top stand-offs (2)	4005408
5	Restrictor plate	4003017
6	Take-off cover (2)	4003046
7	Liner panels anchors (2)	4001283
8	LH Window latch assembly	4002770
9	RH Window latch assembly	4002766
10	Top panel support	4002963
11	Cable hole cover	4003038
12a	Air deflector LH	4003308
12b	Air deflector RH	4003492
13	Window assembly	4002754
13a	Hot glass warning plate	4003093
14	Black steel platform	4004885AH
15	Burner	4002900
16	Platform supports (2)	4002908
17	Burner end location bracket	4002903
18a	Burner module assembly NG	4005172
18b	Burner module assembly LPG	4005173
19	Pilot shield	4003018AH
20a	Pilot assembly NG	4000727
20b	Pilot assembly LPG	4000728
21	Thermocouple	4000061
22a	Pilot injector NG #51	4000735
22b	Pilot injector LPG #30	4000736
23	Pilot tube	4000732
24	Pilot hood 2-flame	4000730
25	Extended nut	4001855
26	Electrode	4001856
27	Pilot mount	4002901
28	Burner location bracket	4002902
29a	Injector elbow NG 82-850	9730010
29b	Injector elbow LPG 92-300	9730035
30	Air shutter	4002907
31	Injector bracket	4002899
32	Burner gasket (air shutter)	4002906
33	Gasket silicone	620C016
34	Pilot sealing plate	4002910
35	Burner module plate	4002775

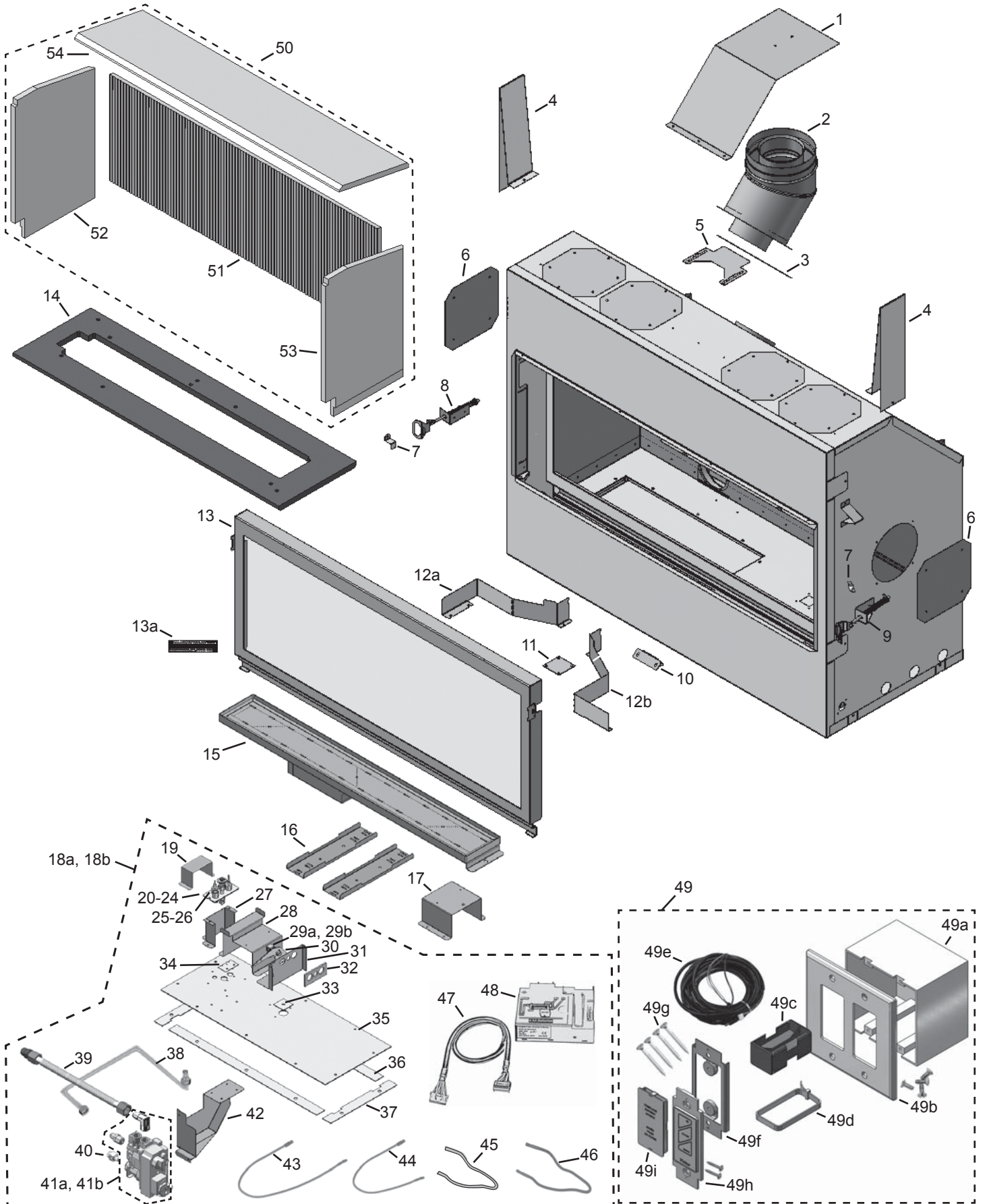
Code	Description	Part Number
36	Gaskets module plate, long (2)	3000400
37	Gaskets module plate, short (2)	3000399
38	Valve to elbow pipe assembly	4002904
39	Pipe s/s flex	4000345
40	Thermocouple interrupter	4001037
41a	GV60 valve assembly NG	4003106
41b	GV60 valve assembly LPG	4003118
42	Valve mount	4002905
43	Yellow cable interrupter	4002096
44	Red cable interrupter	4001035
45	Ignition cable sleeve 530 mm	4002244
46	Ignition cable 500 mm	4001039
47	Wire harness GV60	4001187
48	Outdoor compliant receiver G6R-R3AMC	4005111
49	Remote battery & Wall switch kit	RBWSK
49a	Junction box	4005527
49b	Cover plate & 4 screws	4005526
49c	Battery holder	4005525
49d	Cable tie	4005524
49e	Harness assembly	4005523
49f	Plate with magnets	4005391
49g	Long screws (2)	4001444
49h	Wall switch with 2 screws	4005522
49i	Battery cover assembly	4005390
50	Liner panels - complete set	
	Fluted Black Liners	1515FBL
	Fluted Natural Liners	1520FSL
	Reflective Glass Liners	1525RGL
51	Rear panel	
	Fluted Black	4003070
	Fluted Natural	4002949
	Glass (3)	4004652
52	LH side panel	
	Black	4003071
	Natural	4002950
	Glass	4004273
53	RH side panel	
	Black	4003072
	Natural	4002951
	Glass	4004274

# Spare Parts

Code	Description	Part Number
54	Top panel	
	Black	4002946
	Natural	4002952
	Black (2)	4004651
55	Decorative Glass Murano	1500DGM
56	Glass panel	4002869
57	Classic 1/2" clear fireglass	4004521
58	Driftwood Set Kit	1505DWK
59	Rear log	4002938
60	LH end log	4002965
61	RH end log	4002966
62	LH front log	4002967
63	Center cross log	4002939
64	Brown beach pebble	4003082
65	Grey beach pebble	4003083
66	Small grey beach pebble	4003086
67	White beach pebble	4003084
68	Black beach pebble	4003085
69	Small beige beach pebbles (2)	4003087
70	Grade 1A vermiculite, bagged	4002940
71	Decorative Glass Set	1500DGS
72	Classic 1/2" clear fireglass (3)	4004521
73	Fireglass tray	4003473BY
74	Middle platform brackets (2)	4003033
75	Rocks & Shale Set	1514RSS
76	LH twig	4001827
77	LH twig - short (2)	4001827S
78	RH twig (2)	4001828
79	Grey Rock S4-A (6)	4002338
80	Dark Grey Rock S4-A (4)	4002339
81	Grey Rock S4-B (4)	4002340
82	Dark Grey Rock S4-B (6)	4002341
83	No 7 Grey 5 Matte pitted rock	4002650
84	No 9 Grey 5 Matte rock (2)	4002652
85	No 11 Grey 3 Matte rock (2)	4002654
86	No 14 Grey 9 Gloss rock	4002657
87	No 16 Warm Grey 3 Gloss pitted rock (2)	4002659
88	No 17 Grey 5 Gloss pitted rock	4002660
89	Shale 3/4" - grey, black 0.5lb ea	4004792



# Spare Parts





## Thank You ...

For purchasing a Valor by Miles Industries. Your new radiant gas heater is a technical appliance that must be installed by a qualified installer.

**Please fill in the information below. The information provided will be used for customer records only.**



### Fireplace Information

Model Number: 1500  INO or  IPO

Serial Number:

Date Purchase (yyyy-mm-dd):

Dealer:

### Customer Information

First Name:

Last Name:

### Contact Information

Email:

### Mailing Address

Address:

City:

Province/State:

Postal/Zip Code:

Country:

Cut out page, fill information, and mail to Miles Industries Ltd.

Online Warranty registration at [www.valorfireplaces.com](http://www.valorfireplaces.com)



Tape Shut



Fold here



Postage  
needed

Miles Industries Ltd.  
190 - 2255 Dollarton Highway  
North Vancouver, BC V7H 3B1  
Canada

Online Warranty registration at [www.valorfireplaces.com](http://www.valorfireplaces.com)



*Thank you for choosing a Valor Product*