



L1 SERIES



DV ZC Gas Fireplace 1500IN (NG) & 1500IP (LPG) Installation & Owner's Manual



DANGER



**HOT GLASS WILL
CAUSE BURNS.**

**DO NOT TOUCH GLASS
UNTIL COOLED.**

**NEVER ALLOW CHILDREN
TO TOUCH GLASS.**

A barrier designed to reduce the risk of burns from the hot viewing glass is provided with this appliance and shall be installed for the protection of children and other at-risk individuals.

INSTALLER
Leave this manual
with the appliance.

CONSUMER
Retain this manual
for future reference.

Please read this manual
BEFORE installing and
operating this appliance.

⚠ WARNING

FIRE OR EXPLOSION HAZARD

Failure to follow safety warnings exactly could result in serious injury, death, or property damage.

- Do not store or use gasoline or other flammable vapors and liquids in the vicinity of this or any other appliance.
- **WHAT TO DO IF YOU SMELL GAS**
 - Do not try to light any appliance.
 - Do not touch any electrical switch; do not use any phone in your building.
 - Leave the building immediately.
 - Immediately call your gas supplier from a neighbor's phone. Follow the gas supplier's instructions.
 - If you cannot reach your gas supplier, call the fire department.
- Installation and service must be performed by a qualified installer, service agency or the gas supplier.

This manual contains instructions to install the **ENGINE ONLY**. A front or trim kit is **REQUIRED** to install the engine. A barrier screen is provided with the front or trim kit. **Refer to the manual supplied with the front or trim for installation.**

This appliance may be installed in an after-market permanently located, manufactured (mobile) home where not prohibited by local codes.

This appliance is only for use with the type of gas indicated on the rating plate. This appliance is not convertible for use with other gases, unless a certified kit is used.

This appliance is a domestic room-heating appliance. It must not be used for any other purposes such as drying clothes, etc.

This appliance is suitable for installation in a bedroom or bed sitting room.

Ce guide est disponible en français sur demande.

Table of Contents

FOR THE OWNER

Contents

Safety Precautions	3
Safety and Your Fireplace	4
Owner's Information	5
Operating Your Fireplace for the First Time	5
Cleaning Your Fireplace	6
Checking Pilot and Burner Flames	8
Replacing Batteries	8
Locating Lighting, Operation and Rating Information Card.....	9
Using Handset Wall Holder.....	9
Servicing Your Fireplace.....	9
Operating Your Fireplace.....	9
How to Turn Your Fireplace OFF (including pilot)....	10
How to Ensure Your Fireplace Cannot Be Turned ON Inadvertently	10
Remote Control Operation	11
Wall Switch Operation	16
Options	16
Lighting Instructions	17
Warranty	59

Warranty Card at the back of this manual.



The information contained in this installation manual is believed to be correct at the time of printing. Miles Industries Ltd. reserves the right to change or modify any information or specifications without notice. Miles Industries Ltd. grants no warranty, implied or stated, for the installation or maintenance of your heater, and assumes no responsibility for any consequential damage(s).



We recommend that our gas hearth products be installed and serviced by professionals who are certified in the U.S. by the National Fireplace Institute® (NFI) as NFI Gas Specialists.

Massachusetts: The piping and final gas connection must be performed by a licensed plumber or gas fitter in the State of Massachusetts. Also, see Carbon Monoxide Detector requirements on page 18.

FOR THE QUALIFIED INSTALLER

Commonwealth of Massachusetts	18
Specifications	20
Overview	21
Dimensions & Location	22
Mantel & Hearth Clearances	23
Framing Requirements	25
Venting	29
Co-axial Venting	30
Co-Linear Venting	35
Installation Planning	36
Installation	36
Unpack Appliance.....	36
Fit Standoffs	36
Remove Heat Shield.....	37
Convert from Top to Rear Outlet (if required)	37
Fit Appliance into Framing	37
Plan Wall Finish.....	38
Remove Window	39
Install Electrical Wiring (for optional accessories) ...	40
Set-up Gas Supply	41
Install Liners	43
Install Driftwood Kit 1505DWK	44
Install Decorative Glass Murano 1510DGM	46
Install Decorative Glass Set 1500DGS.....	48
Install Rocks & Shale Set 1514RSS.....	49
Refit Window	51
Install Wall Switch Kit (recommended)	52
Set-up Remote Control.....	53
Check Operation.....	54
Set Aeration	54
Install Trim and Barrier Screen	54
Install Remote Control Handset Wall Holder	55
Wiring Diagram	56
Approved Venting Components	57
Warranty	59
Spare Parts	60

**Designed and Manufactured by / for
Miles Industries Ltd.**

**190–2255 Dollarton Highway,
North Vancouver, BC, CANADA V7H 3B1
Tel. 604-984-3496 Fax 604-984-0246
www.valorfireplaces.com**



Safety Precautions

READ and **UNDERSTAND** all instructions carefully before starting the installation. **FAILURE TO FOLLOW** these installation instructions may result in possible fire hazard and will void the warranty.

Prior to the first firing of the fireplace, **READ** the Owner's Information section of this manual.

DO NOT USE this appliance if any part has been under water. Immediately, **CALL** a qualified service technician to inspect the unit and to replace any part of the control system and any gas control that has been under water.

THIS UNIT IS NOT FOR USE WITH SOLID FUEL.

Installation and repair should be **PERFORMED** by a qualified service person. The appliance and venting system should be **INSPECTED** before initial use and at least annually by a professional service person. More frequent cleaning may be required due to excessive lint from carpeting, bedding, etc. It is **IMPERATIVE** that the unit's control compartment, burner, and circulating air passageways **BE KEPT CLEAN** to provide for adequate combustion and ventilation air.

Always **KEEP** the appliance clear and free from combustible materials, gasoline, and other flammable vapors and liquids.

NEVER OBSTRUCT the flow of combustion and ventilation air. Keep the front of the appliance **CLEAR** of all obstacles and materials for servicing and proper operation.

This unit **MUST** be used with a vent system as described in this installation manual. **NO OTHER** vent system or components **MAY BE USED**.

This gas fireplace and vent assembly **MUST** be vented directly to the outside and **MUST NEVER** be attached to a chimney serving a separate solid fuel burning appliance. Each gas appliance **MUST USE** a separate vent system. Common vent systems are **PROHIBITED**.

INSPECT the external vent cap on a regular basis to make sure that no debris, plants, trees, shrubs are interfering with the air flow.

TURN OFF the gas before servicing this appliance. It is recommended that a qualified service technician perform an appliance check-up at the beginning of each heating season.

DO NOT use this heater as a temporary source of heat during construction.

State of California. Proposition 65 Warning. Fuels used in gas, wood-burning or oil fired appliances, and the products of combustion of such fuels, contain chemicals known to the State of California to cause cancer, birth defects and other reproductive harm. California Health & Safety Code Sec. 25249.6.

Due to the high temperature, the appliance should be **LOCATED** out of traffic areas and away from furniture and draperies.

Clothing or flammable material **SHOULD NOT BE PLACED** on or near the appliance.

This appliance is a **DOMESTIC ROOM-HEATING APPLIANCE**. It must not be used for any other purposes such as drying clothes, etc.

DO NOT place furniture or any other combustible household objects within 36" of the fireplace front.

BE CAREFUL not to put any decorating objects sensitive to heat to close above or around the fireplace as it gets very hot when operating.

The glass door assembly **MUST** be in place and sealed before the unit can be placed into safe operation.

DO NOT OPERATE this appliance with the glass door removed, cracked, or broken. Replacement of the glass door should be performed by a licensed or qualified service person. **DO NOT** strike or slam the glass door.

The glass door assembly **SHALL ONLY** be replaced as a complete unit, as supplied by the fireplace manufacturer. **NO SUBSTITUTE** material may be used.

DO NOT USE abrasive cleaners on the glass door assembly. **DO NOT ATTEMPT** to clean the glass door when it is hot.

A BARRIER DESIGNED TO REDUCE THE RISK OF BURNS from the hot viewing glass is provided with this appliance and **SHALL BE INSTALLED** for the **PROTECTION OF CHILDREN** and other **AT-RISK INDIVIDUALS**.

If the barrier becomes damaged, the barrier **SHALL BE REPLACED** with the **MANUFACTURER'S BARRIER** for this appliance.

Any safety screen, guard or barrier removed for servicing the appliance, **MUST BE REPLACED** prior to operating the appliance.

Children and adults should be **ALERTED** to the hazards of high surface temperature and should **STAY AWAY** to avoid burns or clothing ignition.

YOUNG CHILDREN should be **CAREFULLY SUPERVISED** when they are in the same room as the appliance. Toddlers, young children and others may be susceptible to **ACCIDENTAL CONTACT BURNS**. A physical barrier is recommended if there are at-risk individuals in the house. To restrict access to a fireplace or stove, **INSTALL AN ADJUSTABLE SAFETY GATE** to keep toddlers, young children and other at-risk individuals out of the room and away from hot surfaces.

! Safety and Your Fireplace

Please Read and Carefully Follow all Safety Warnings and Operating Instructions Contained in Your Owner's Manual

(Replacement Manuals are available by contacting our service department at 1-800-468-2567 or visit www.valorfireplaces.com).

Please Follow These Important Child Safety Precautions and Recommendations,

- Parts of your Valor Fireplace become **extremely hot** while in operation.
- The glass viewing **window temperature can exceed 500 F** at full capacity. Momentary contact with a hot glass surface can **cause a severe burn**, even if the fireplace is operating at reduced heating capacity.
- **The glass window will remain hot** for an extended period of time after the fireplace has been turned off. Ensure that children are prevented from touching the fireplace during the cool down period.
- **Toddlers and Young Children must be closely supervised at all times** when they are in the same room as the operating fireplace. They lack full awareness of danger and rely on your protection. Toddlers, in particular, do not have the motor skills and response reflexes to



withdraw in the event of accidental contact with a hot surface.

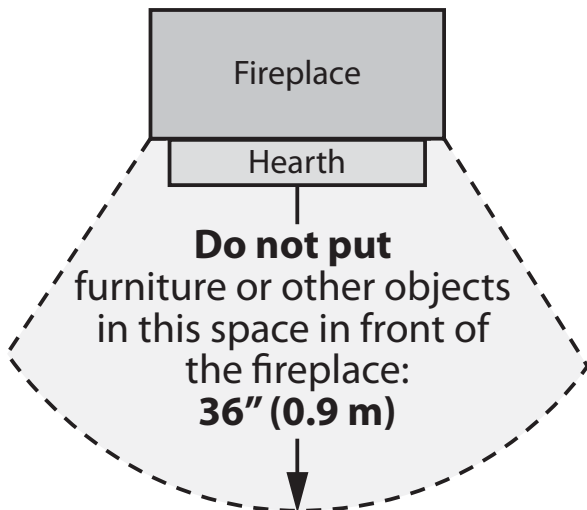
- **A physical barrier is strongly recommended** if there are young children, or at-risk individuals in the house. Install an approved after-market safety gate to keep toddlers, young children and other at-risk individuals a safe distance from the fireplace.
- **Keep the remote control handset out of reach of children at all times.** A wall mount storage holster is provided with your remote control handset.
- **Ensure that the fireplace, including the pilot light, is completely turned off** when children are present and close supervision and safety barriers are not available—see page 10 of *Owner's Information* section.
- If the fireplace is not going to be used for the summer or any extended period of time, **remove the batteries from the remote control handset and receiver.** It is recommended that batteries are replaced annually in any event—see page 8.

⚠ WARNING

EXTREMELY HOT!!!

- **READ the SAFETY information on pages 3 and 4 of this manual BEFORE operating your gas heater.**
- Some parts of your fireplace are **EXTREMELY HOT**, particularly the **GLASS** window.
- **DO NOT LET CHILDREN** touch the glass or any parts of your fireplace **even after it is turned off** as it is still hot.
- **USE THE BARRIER SCREEN** provided with the trim or a **GATE** to reduce the risk of severe burns.
- Keep the remote control handset **OUT OF REACH** of children.
- **HOT WALL SURFACES!** The wall directly above the fireplace is **VERY HOT** when the fireplace heats. It is constructed of non-combustible materials and although safe, it may reach temperatures **in excess of 250° F** depending on choice of trims. **DO NOT TOUCH IT!**
- Some materials or items, although safe, may discolor, shrink, warp, crack, peel, and so on because of the heat produced by the fireplace. **AVOID PLACING** candles, paintings, photos, and other items **SENSITIVE TO HEAT** within 36 inches (0.9 m) around the fireplace.
- Solid wood flooring in front of the fireplace (if allowed) may shrink during the heating season due to heat.

Performance of LPG appliances may be affected by the quality of commercial gas supplied in your area.



Thank You ...

For purchasing a Valor by Miles Industries. Your new radiant gas heater is a technical appliance that must be installed by a qualified dealer. Each Valor fireplace is fully tested during the production process for your safety and comfort.

Your unit has been professionally installed by:

Dealer Name: _____

Phone Number : _____

Should you encounter an operational problem, call your dealer immediately.

Do not try to repair the unit as you may cause an injury or damage the fireplace.

This manual and particularly the preceding and following pages contain very important information regarding the safe operation of your fireplace as well as maintenance instructions.

Read carefully BEFORE operating your fireplace and pay special attention to the SAFETY WARNINGS.

A heating gas appliance does require safe handling and for this reason, we very strongly recommend that no children be allowed to touch the fireplace and its controls at all times. **Do install a screen or barrier in front of the fireplace to protect your children against severe burns.**

Operating Your Fireplace for the First Time

When operating your new fireplace for the first time, some vapors may be released due to the burning of curing compounds used in the manufacture of the appliance. They may cause a slight odor and could cause the flames to be the full height of the firebox, or even slightly higher, for the first few hours of operation.

It is also possible that these vapors could set off any smoke detection alarms in the immediate vicinity. These vapors are quite normal on new appliances. We recommend opening a window to vent the room. After a few hours use, the vapors will have disappeared and the flames will be at their normal height.

Flame Supervision Device

For your safety, this appliance is fitted with a flame supervision device which will shut-off the gas supply if, for any reason, the pilot flame goes out. This device incorporates a fixed probe, which senses the heat from the pilot flame. If the probe is cool, the device will prevent any gas flow unless manually lighting the pilot. See full lighting instructions on page 17 of this manual.

Cleaning Your Fireplace

⚠ WARNING

DO NOT TOUCH THE GLASS WHILE IT IS HOT!
Let the fireplace cool first before cleaning it.

Important - Glass cleaning - Mineral deposits

One of the by-products of the combustion process in a gas appliance is a mineral which can show up as a white film on the ceramic glass of the viewing door.

The composition of the deposit varies with location and time. It is believed to be associated with the varying sulfur content of the gas. You may have the problem intermittently.

We have consulted with ceramic glass manufacturers and they cannot offer a definitive solution to this problem. Dealers have tried various cleaning products with varying results. The following are recommendations only and are not meant to guarantee results.

NOTE: This is a problem beyond Miles Industries' control and is not covered under warranty.

- Clean the glass regularly as soon as you notice the buildup (white film). If the film is left for a longer period of time, it will etch into the glass. It is then much harder, if not impossible, to remove.
- **NEVER use an abrasive cleaner on the ceramic glass.** Any abrasion of the surface has the immediate effect of compromising the strength of the glass. An emulsion type cleaner is recommended.
- Use a soft damp cloth to apply the cleaner. Dry the glass with a soft, dry, preferably cotton cloth. Most paper towels and synthetic materials are abrasive to ceramic glass and should be avoided.
- Our dealers have had good results from the products listed below. We cannot, however, guarantee the results of these products.
 - ◊ Brasso, Polish Plus by Kelkem, Cook Top Clean Creme by Elco, White Off by Rutland, Turtle Wax

Do not clean the glass while it is hot!

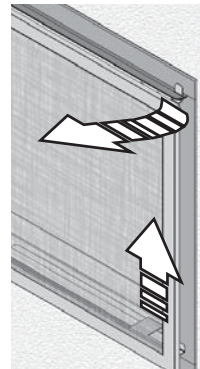
Always securely replace the window and the barrier screen before lighting.

If broken, the glass pane may only be replaced as a complete window unit as supplied by the manufacturer.

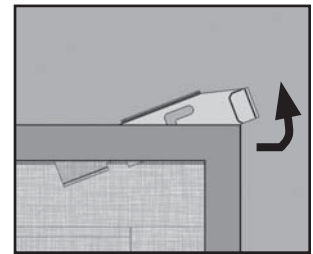
If the barrier becomes damaged, the barrier shall be replaced with the manufacturer's barrier for this appliance.

To remove the window for cleaning:

1. Remove the barrier screen.
 - a) **1555 1" trim:** slide the screen up, unhook the bottom tabs and disengage the top tabs.
 - b) **1550 3.5" and 1570 trims:** slide the top lock-in levers outward and rotate them up to unhook the screen top; lift the screen up to unhook the bottom tabs.

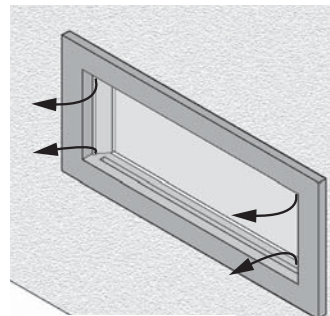


1555 1" Trim

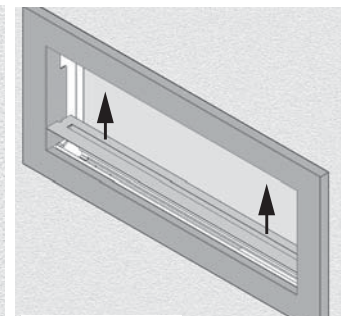


1550 3.5" and 1570 Trims

2. Remove the side doors and the plinth.

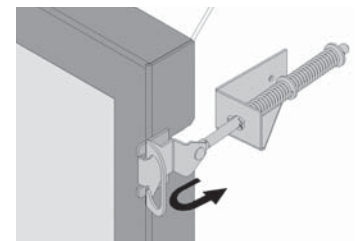


Remove side doors



Remove plinth

3. Find the levers on each side of the window towards the top. Using your finger, pull the levers towards you and unhook them from the window frame brackets.



**Spring Loaded
Window Levers**

4. Gently pull the top of the window outward.
5. Lift the window out of its bottom railing and set it aside in a safe place to avoid damage.

Clean the window following the guidelines in this section.

Clean the 1550 and 1555 steel trims with mild soap and warm water. Any alcohol/solvent base cleaner will weaken the coating and damage it.

Clean the 1570 concrete trim by dusting down the surface regularly with a soft brush and occasionally follow up with a wipe over with a wet cloth. A sealer has been applied to the surface, no alcohol/solvent based clean-

ing agents nor polishes should be used. Dry stains can be removed using a white or light colored cloth with mild soap and warm water when the material is cool, then dried immediately. If the stain is hard to remove, use a white or light colored synthetic scrub pad (not steel wool) and dry immediately. In case of an accidental spill, soak up the liquid **IMMEDIATELY** with a dry cloth and follow up with a wipe down with a wet cloth.

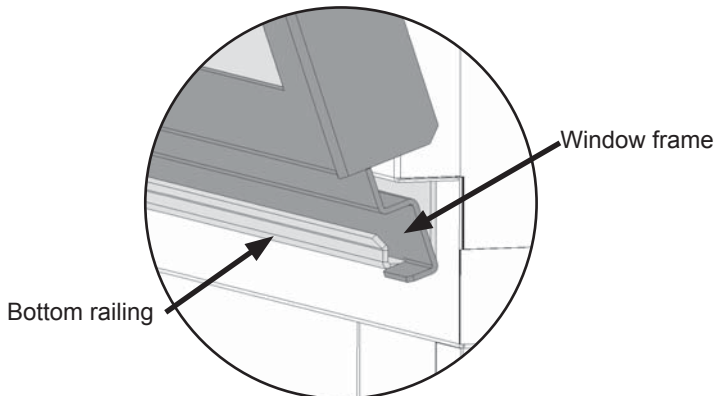
Clean the barrier screen dusting it with a soft brush. **Clean the firebox** ceramic logs/rocks and walls dusting them with a soft brush. Dust can also be removed from the burner using a soft brush after removing the ceramic logs. **When cleaning, make sure that no particles are brushed into the slots of the burner.**

⚠️ WARNING

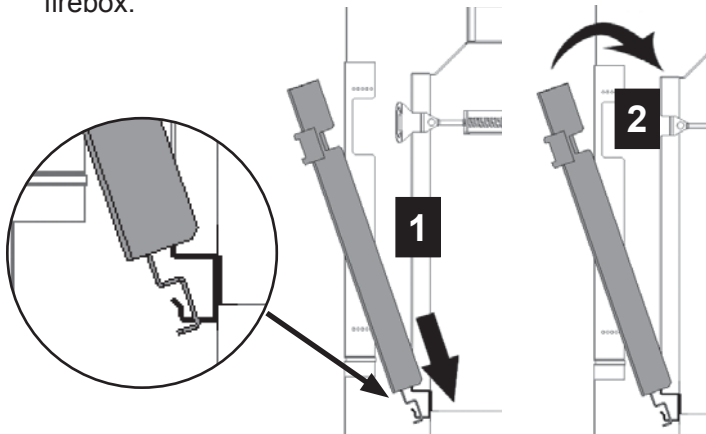
CHOKING HAZARD! Ensure that the fireplace area is clear of fire glass or vermiculite particles as these could be ingested by small children. Vacuum thoroughly around the fireplace area after cleaning.

To refit the window:

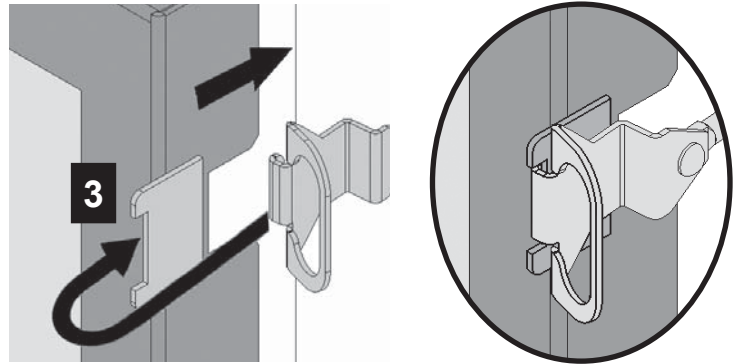
1. Place the window in its bottom railing. **Ensure to remove any vermiculite or glass particles in the railing before installing the window.**



2. Push the top of the window frame against the firebox.



3. While you hold it, pull the side levers back into the window brackets on each side.



⚠️ DANGER

To ensure a safe operation, verify that the levers are hooked properly to the window tabs; then, pull out the top of the window and release it to insure the springs return it.

Also, double-check that the bottom of the window frame is correctly installed in its the bottom railing.

Failure to install window correctly can damage components, cause overheating resulting in dangerous conditions. Damage caused by incorrect window installation is not covered by the Valor warranty.

4. Apply light hand pressure against the window frame sides to bed-in the window seal.
5. If the Hot Glass Warning plate has been removed from the front lower corner of the window, reinstall it by sliding it between the glass and the frame as indicated.



! WARNING: EXTREMELY HOT GLASS AND FIREPLACE
Risk of severe burns. Keep Children away from fireplace & controls.

AVERTISSEMENT : VITRE ET Foyer EXTREMEMENT CHAUDS
Risque de graves brûlures. Gardez les enfants loin du foyer et des commandes.

Hot Glass Warning Plate

6. Reinstall the barrier screen on the trim.

⚠ WARNING

FOR SAFETY PURPOSE, ensure the barrier screen is re-installed on the fireplace front after maintenance.

- a) **1555 1" trim:** Insert the screen's top tabs in the slots in the convection baffle then rest the screen bottom tabs on the edge of the opening in the plinth to lock it in position.
 - b) **1550 3.5" and 1570 trims:** Hook the bottom of the screen to the bottom edge of the trim's front plate, then, with the top levers up, push the screen against the fireplace. Rotate the levers down to hook them up to the trim and slide them inwards to secure them.
7. Verify that the screen is properly hooked to the trim and secure.

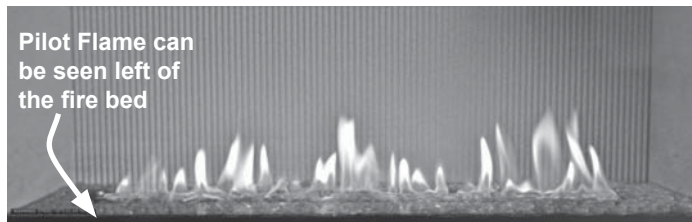
Checking Pilot and Burner Flames

A periodic check of the pilot and burner flames should be made. Check after the fire has been on for at least 30 minutes. The pilot flame must cover the tip of the thermocouple probe. The main burner flame pattern will vary from appliance to appliance depending on the type of installation and climatic conditions.



Pilot Flame can be seen between the front and rear left logs

Long Beach Driftwood Kit Correct Flame Picture



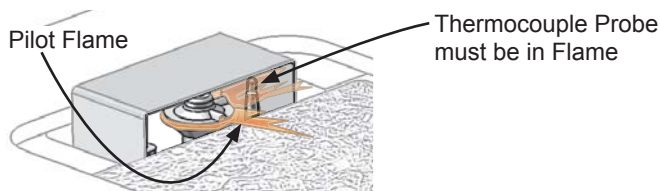
Pilot Flame can be seen left of the fire bed

**Decorative Glass Murano Correct Flame Picture
Decorative Glass Correct Flame Picture**



Pilot Flame can be seen left of the fire bed

Rock & Shale Kit Correct Flame Picture



The appliance area must always be kept clear and free from combustible materials, gasoline and other flammable vapors and liquids.

Inspect the vent terminal outdoors regularly to make sure that snow, trees, bushes, leaves, or other objects do not obstruct it.

Examine the vent system and terminal regularly. We recommend annually.

Replacing Batteries

⚠ WARNING

DO NOT ATTEMPT TO CHANGE THE BATTERIES WHILE THE FIREPLACE IS STILL HOT! Let the fireplace cool first before touching it.

CAUTION

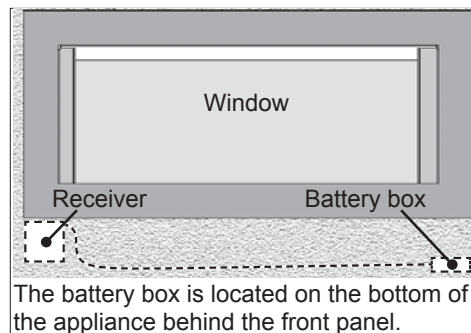
DO NOT USE a screwdriver or other metallic object to remove the batteries from the battery box or the handset! This could cause a short circuit.

Low batteries signal: see page 15.

BEFORE changing the batteries, disconnect the battery box from the receiver.

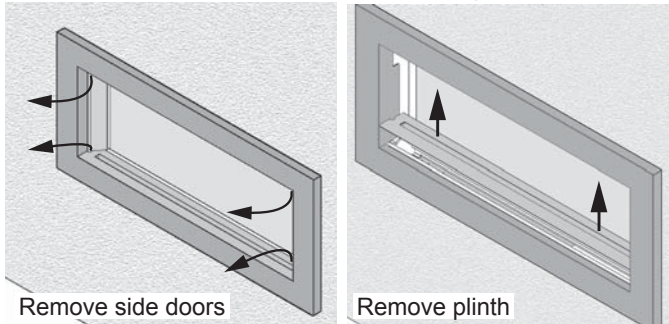
The appliance uses four 1.5 V AA **alkaline** batteries for its battery box and one 9 V **alkaline** battery for its handset. Batteries should last one to two seasons, depending on usage. Removing the batteries in the off-season will extend the battery life.

To replace the batteries in the battery box:



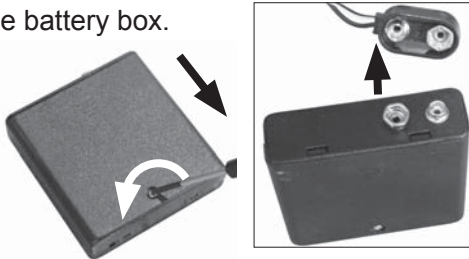
The battery box is located to the right hand side on the bottom of the appliance behind the front panel. It is held in place with a piece of *Velcro*.

1. Remove the barrier screen, the side doors and the plinth. Grab the battery box and pull it out from its location. **Do not pull the box out by the wire!**



2. Disconnect the battery box.

3. Remove the screw and slide the cover off.



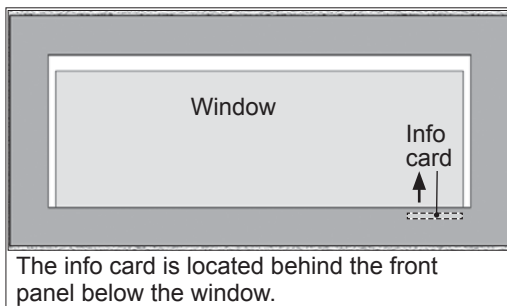
4. Replace the batteries with 4 AA **alkaline** batteries orienting them as indicated inside the holder.
5. Replace the cover and screw in place.
6. Reconnect the battery box.
7. Put the battery box back in its position.
8. Reinstall the plinth, side doors and barrier screen.

Locating Lighting, Operation and Rating Information Card

WARNING

DO NOT ATTEMPT TO TOUCH THE DATA CARD WHILE THE FIREPLACE IS STILL HOT! Let the fireplace cool first before touching it.

The Lighting, Operation and Rating information is located on a card at the right hand side of the fireplace opening. The card is rolled and attached under the plinth.



The info card is located behind the front panel below the window.

To access the card, remove the barrier screen, side doors and the plinth. Grab the rolled card and pull it out of its clip. There is important information on both sides of the card.

Using Handset Wall Holder

Your fireplace equipment includes a wall holder to store the handset. If it hasn't been installed, refer to the instructions further on in this manual for the installation.



Servicing Your Fireplace

If any attention is required for your appliance, contact your supplier quoting the model number. It will be helpful if the appliance's serial number can also be quoted. This number is on the rating plate. The replacement parts are shown at the end of this manual. Please always quote the part number and description when requesting spare parts.

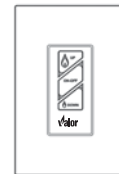
Operating Your Fireplace

There are two ways to control your fireplace.

1. Thermostatic Remote Control;
2. Wall Switch.



Thermostatic Remote Control



Wall Switch

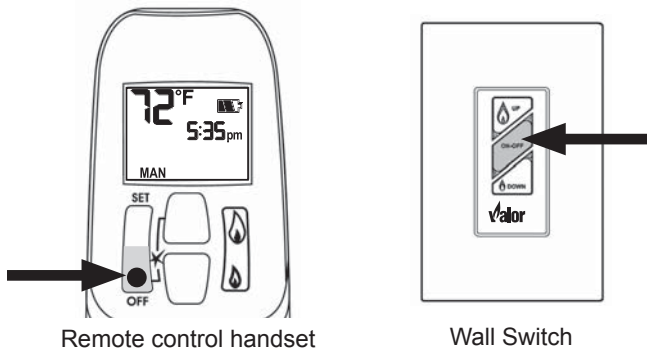
The Thermostatic Remote Control can be programmed to function automatically—see pages 11–15.

The Wall Switch can be used to turn on, off and to increase or decrease the flame height—see page 16.

How to Turn Your Fireplace OFF (including pilot)

Familiarize yourself with each of these methods before operating your fireplace.

Press and hold the OFF button for a second (either on the handset or the wall switch).



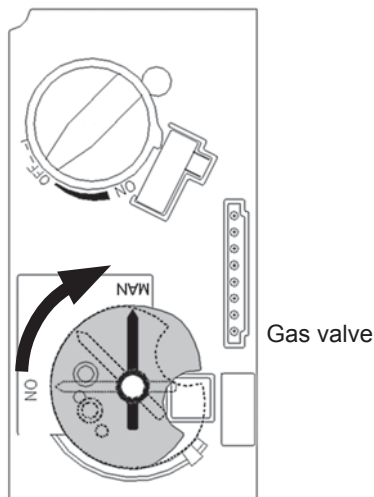
If the flames are on, they go down and you hear the valve motor wind down. You hear a clunk and a beep indicating that the valve has received the signal from the remote control.

How to Ensure Your Fireplace Cannot Be Turned ON Inadvertently

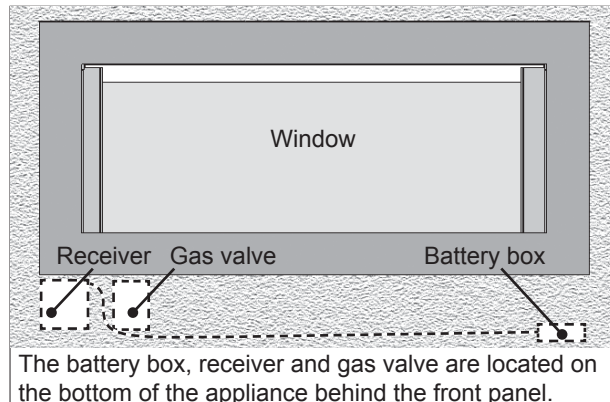
You can use one of the two following methods to ensure that your fireplace will not turn on when you don't want it on.

First, ensure your fireplace is turned off—including the pilot—and cold BEFORE going ahead.

- Turn the dial on the gas valve from the ON position to the MAN position as shown. Turning the dial to MAN (arrow up) will ensure that the main burner can not come on. The pilot will remain on if it is lit.



- Alternately, remove all batteries from the receiver as well as the battery from the handset.



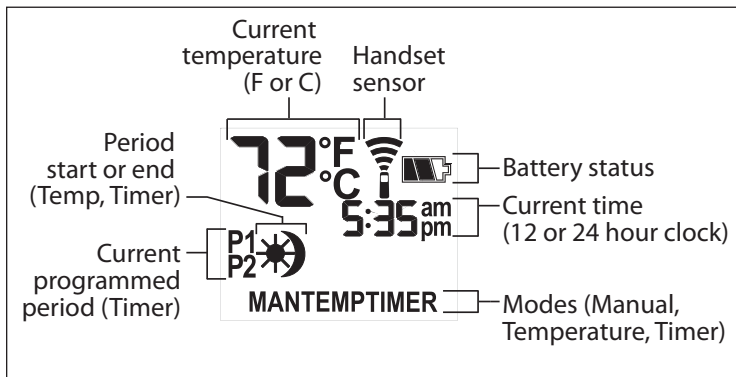
Automatic Shut-Off (in certain conditions)

Your fireplace's remote control is equipped with an automatic shut-off mechanism which is activated in certain conditions. See page 15 in the *Remote Control Operation* section for a description of this feature.

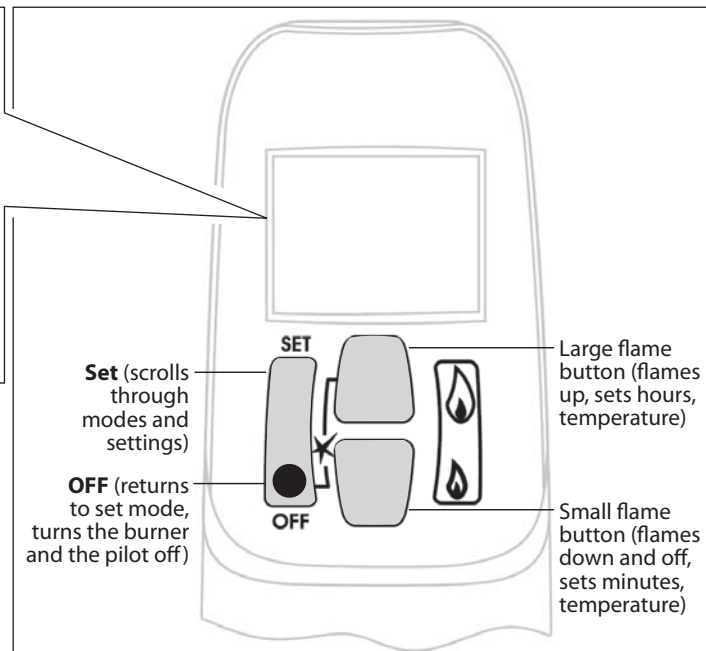
Remote Control Operation

NOTE: Before using the remote control system for the first time, the receiver and the handset must be synchronized. See the section *Set-up Remote Control* on page 53 of this manual.

IMPORTANT: BEFORE YOU BEGIN, please note that on this system, the settings of time, temperature and automatic ON/OFF **can only be programmed when the function display is flashing**. Be patient when programming as it can take a few seconds to set.



Display Overview



Handset Overview

Note: In the TEMP or TIMER modes, the remote handset senses the room temperature and adjusts the flame accordingly.

To communicate, the handset should be within 15 feet (4.5 meters) of the fireplace.

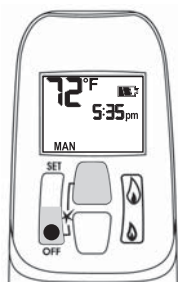
Do not leave the handset on the mantel or hearth.

TO TURN ON APPLIANCE

CAUTION

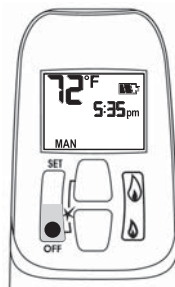
When pilot ignition is confirmed, motor turns automatically to maximum flame height.

- On the valve, turn MAN knob on the ON, full counterclockwise ↺ position.
- Place ON/OFF switch (if equipped) in I (ON position).



- Simultaneously press the OFF and 🔥 (large flame) buttons until a short beep confirms the start sequence has begun; release buttons.
- Continuing beeps confirm the ignition is in process.
- Once pilot ignition is confirmed, there is main gas flow.
- After main burner ignition the handset will automatically go into manual (MAN) control mode.

TO TURN OFF APPLIANCE



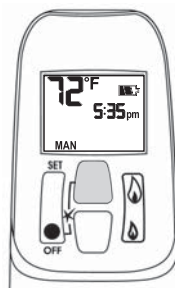
- Press OFF button.

When the pilot is off, it will take 2 minutes before it can be lit again.

STANDBY MODE (Pilot Flame)

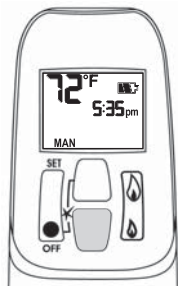
- Press and hold 🔥 (small flame) to set appliance at pilot flame.

FLAME HEIGHT ADJUSTMENT



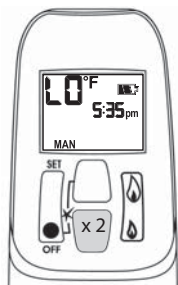
- In standby mode: Press and hold 🔥 (large flame) button to increase flame height.

Remote Control Operation

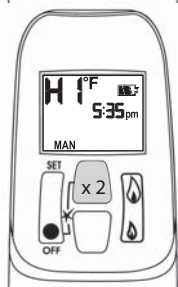


- Press and hold (small flame) button to decrease flame height or to set the appliance at pilot flame.
- For fine adjustment tap the (large flame) or (small flame) buttons.

Express Low and High Fire

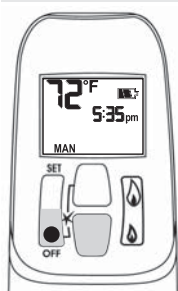


- Double-click (small flame) button. "LO" will be displayed.
NOTE: Flame goes to high fire first before going to designated low fire.



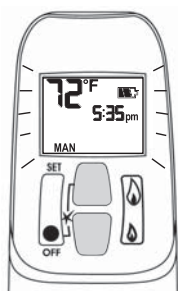
- Double-click (large flame) button. Flame automatically goes to high fire. "HI" will be displayed.

SETTING °C/24-HOUR OR °F/12-HOUR CLOCK



- In MAN mode, press OFF and (small flame) buttons until display changes from Fahrenheit/12-hour clock to Celsius/24-hour clock and vice versa.

SETTING THE TIME

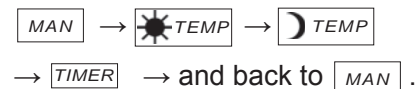


- The time display will flash after either:
 - ◇ Installing the battery or
 - ◇ Simultaneously pressing the (large flame) and (small flame) buttons.
- Press (large flame) button to set the hour.
- Press (small flame) button to set the minute.
- Press OFF or simply wait to return to MAN mode.

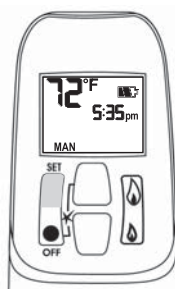
MODES OF OPERATION



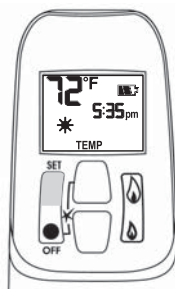
- Briefly pressing the SET button changes the mode of operation in the following order:



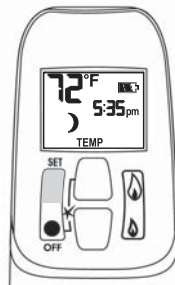
NOTE: Manual mode can also be reached by pressing either the (large flame) or the (small flame) buttons.



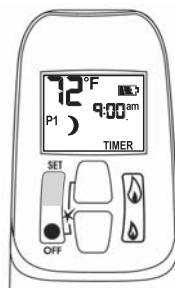
- - **Manual Mode** - Manual Flame Height Adjustment.



- - **Daytime Temperature Mode** (Appliance must be in standby mode; pilot ignited) - The room temperature is measured and compared to the set temperature. The flame height is then automatically adjusted to achieve the Daytime Set Temperature.



- - **Nighttime Setback Temperature Mode** (Appliance must be in standby mode; pilot ignited) - The room temperature is measured and compared to the Nighttime Setback temperature. The flame height is then automatically adjusted to achieve the Nighttime Setback Temperature.



- - **Timer Mode** (Appliance must be in standby mode; pilot ignited) - The timers P1 and P2 (Program 1, Program 2) each can be programmed to go ON and OFF at specific times. For instructions see Timer Programming Mode.

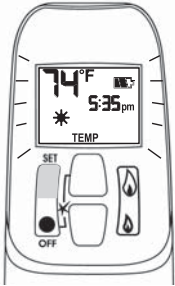
NOTE: The display shows the set temperature every 30 seconds.


Remote Control Operation

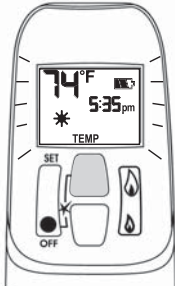
SETTING THE ON / OFF TEMPERATURES



SETTING THE “DAYTIME” TEMPERATURE

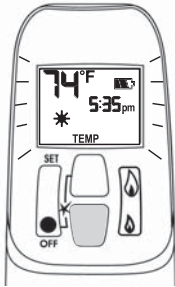
Default Settings:  TEMP (sun), 23°C / 74°F





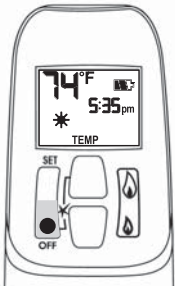
- Briefly press SET button to scroll to TEMP  TEMP (sun) mode. Hold the SET button until the TEMP flashes.



- Press  (large flame) button to increase the  Daytime Set Temperature.



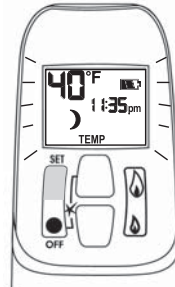
- Press  (small flame) button to decrease  Daytime Set Temperature.




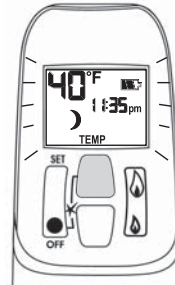
- Press OFF or simply wait to complete programming.



SETTING THE “NIGHTTIME SETBACK” TEMPERATURE

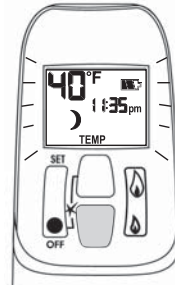
Default Settings:  TEMP (moon), “--” (OFF)





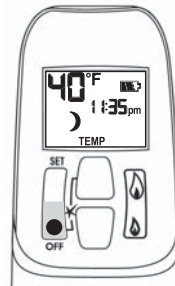
- Briefly press SET button to scroll to TEMP  TEMP (moon) mode. Hold the SET button until the TEMP flashes.



- Press  (large flame) button to increase  Nighttime Setback Temperature.



- Press  (small flame) button to decrease  Nighttime Setback Temperature.



- Press OFF or simply wait to complete programming.

Tip

Set the different parameters when they are flashing.

Remote Control Operation

SETTING PROGRAM TIMERS

- You can program two periods of time between 12:00 am and 11:50 pm in each 24-hour cycle.
- The Programs P1 and P2 must be set in the following order during a 24-hour cycle: **P1** ☀, **P1** 🌙, **P2** ☀ and **P2** 🌙
- The icon ☀ indicates the beginning of the period (ON) and the icon 🌙 indicates the end of the period (OFF).
- If **P1** ☀ = **P1** 🌙 or **P2** ☀ = **P2** 🌙, the programming is cancelled.
- To keep the fireplace ON all night, set **P2** 🌙 at 11:50 am and **P1** ☀ at 12:00 am.

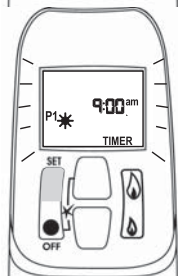
Default settings:

Program 1: **P1** ☀ 6:00 am **P1** 🌙 8:00 am

Program 2: **P2** ☀ 11:50 pm **P2** 🌙 11:50 pm

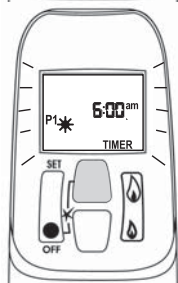


- Briefly press SET button to scroll to TIMER mode.

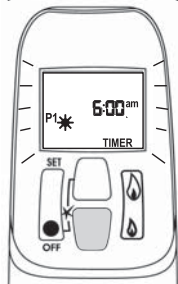


SETTING P1 ON TIME

- Hold the SET button until **P1** ☀ (sun) is displayed and the time flashes.

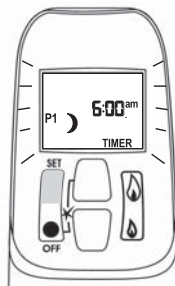


- Press 🔥 (large flame) button to set the hour.

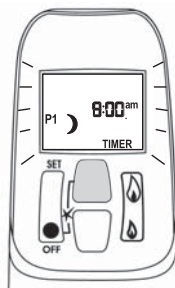


- Press 🔥 (small flame) button to set the minutes.

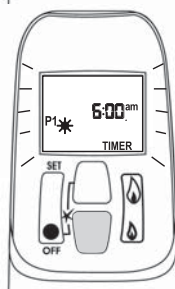
SETTING P1 OFF TIME



- Briefly press SET button to scroll to TIMER **P1** 🌙 (moon) while the time flashes.



- Press 🔥 (large flame) button to set the hour.



- Press 🔥 (small flame) button to set the minutes.

SETTING P2 ON TIME

- Briefly press SET to scroll to TIMER mode **P2** ☀ (sun) while the time flashes.
- Follow the instructions given to set P1 ON time.

SETTING P2 OFF TIME

- Briefly press SET to scroll to TIMER mode **P2** 🌙 (moon) while the time flashes.
- Follow the instructions given to set P1 OFF time.

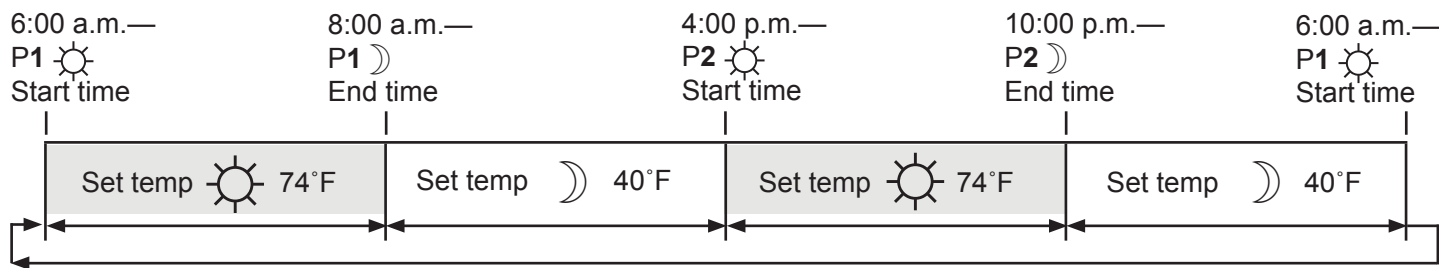
Press OFF button to save these settings. The timers are programmed. See the diagram on programming sequences on the following page.

Tip

If you want to program only one period, program **P1** ☀ and **P1** 🌙 with desired times and program **P2** ☀ and **P2** 🌙 with the same time as **P1** 🌙.

Remote Control Operation

Timer Programming Example (default temperatures shown)



AUTOMATIC TURN DOWN

- **No communication.** If there is no communication between the receiver and the handset for a period of 6 hours, the appliance goes into pilot mode.
- **No change in flame height.** If there is no change in flame height for a period of 6 hours, the appliance goes into pilot mode.

NOTE: In **TEMP** or **TIMER** modes, the flame height will vary according to room temperature. The appliance will continue to work normally. However, if the room temperature remains the same for 6 hours, the appliance will go into pilot mode.


AUTOMATIC SHUT OFF

- **Low batteries in the receiver.** With low battery power in the receiver the system shuts off completely.
NOTE: This does not apply when the power supply is interrupted.
- **No change in pilot.** The appliance shuts off completely when it is continually in pilot position—without any change—for a period of 5 days.

LOW BATTERY INDICATION

CAUTION

DO NOT USE a screwdriver or other metallic object to remove the batteries from the battery box or the handset! This could cause a short circuit.

Remote handset: The battery icon  will show when the battery needs to be replaced. Replace with one 9 V **alkaline** battery.

Battery box: Three short 'beeps' will sound when the motor turns when the batteries need to be replaced. Replace with four 1.5 V **alkaline** batteries.

HANDSET / RECEIVER MATCH

The remote control handset and receiver are programmed to function together. In case of a replacement of the handset or the receiver, you will need to reset the receiver to allow them to function together. Contact your dealer for details.

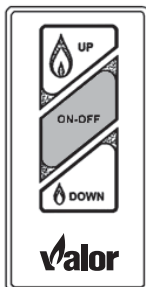
Wall Switch Operation



The Wall Switch can be used to control your fireplace. You can turn the pilot on or off and you can increase or decrease the flame height.

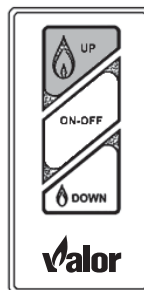
Note that the thermostat and programming functions are not available with the wall switch.

TO TURN APPLIANCE ON and OFF

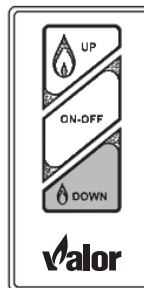


- Press ON-OFF button once to light pilot. Press again to shut of pilot.

TO ADJUST FLAME HEIGHT



- Press and hold large flame button to gradually increase flame height.



- Press and hold small flame button to gradually decrease flame height.

Options

Required Kits*

Fuel Beds (choose one)

- 1500DGS—Decorative Glass Set
- 1505DWK—Driftwood Set Kit
- 1510DGM—Decorative Glass Murano
- 1514RSS—Rock & Shale Set

Ceramic Liners (choose one)

- 1515FBL—Linear Fluted Black Liner Set
- 1520FSL—Linear Fluted Sand Liner Set
- 1525RGL**—Linear Reflective Glass Liner Set
(*Add 1725RGL-3 Glass Retainer Kit)

Trims (choose one)

- 1550—Linear 3-1/2" Surrounds with Barrier Screen 4003282
 - 1550LSB—Black
 - 1550LSZ—Bronze
 - 1550LSP—Nickel
- 1555LFB—Linear 1" Finishing Trim Black with Barrier Screen 4003989
- 1570RCS—Reinforced Concrete Trim with Barrier Screen 4003416

Optional Accessories*

Conversion Kits

- 1500PGK—Conversion Kit to Propane Gas
- 1500NGK—Conversion Kit to Natural Gas

Other Accessories

- 1506DRK—Additional rocks for Long Beach Driftwood Kit
- 1565LLK—Linear Lighting Kit
- 1595CFK—Circulating Fan Kit
- 1270RBK—Remote blower kit

Hearth Gate

Hearth gates such as Cardinal's VersaGates are available at retail stores carrying safety products for children.

*Information accurate at the time of printing and subject to change without notice.

Lighting Instructions

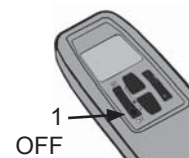
FOR YOUR SAFETY, READ BEFORE LIGHTING

WARNING: If you do not follow these instructions exactly, a fire or explosion may result causing property damage, personal injury or loss of life.

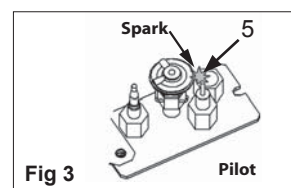
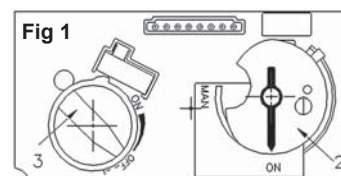
- This appliance has a pilot which must be lighted by hand, remote control, or wall switch. Follow these instructions exactly. To save gas, turn the pilot off when not using the appliance for a prolonged period of time.
- BEFORE LIGHTING**, smell all around the appliance area for gas. Be sure to smell next to the floor because some gases are heavier than air and will settle on the floor.
WHAT TO DO IF YOU SMELL GAS
 - Do not try to light any appliance.
 - Do not touch any electric switch; do not use any phone in your building.
 - Immediately call your gas supplier from a neighbor's phone. Follow the gas supplier's instructions.
 - If you cannot reach your gas supplier, call the fire department.
- Use only your hand to push in or turn the control knobs. Never use tools. If the knobs will not push in or turn by hand, don't try to repair them; call a qualified service technician. Force or attempted repair may result in a fire or explosion.
- Do not use this appliance if any part has been under water. Immediately call a qualified service technician to inspect the appliance and to replace any part of the control system and any gas control, which has been under water.

LIGHTING INSTRUCTIONS

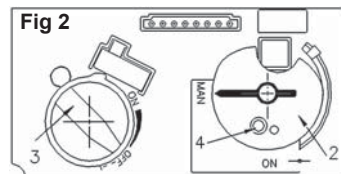
- STOP!** Read the safety information above.
- TO CLEAR ANY GAS**, turn main valve off by pressing OFF (red dot) button on remote handset (1).
 - Wait five (5) minutes to clear out any gas, then smell for gas, including near the floor. **If you smell gas, STOP!** Follow "B" in the safety information above on this label. If you don't smell gas, go to the next step.



- AUTOMATIC IGNITION:** MAN-knob (2) in ON position. Ensure Flame Adjustment knob (3) is set to lowest setting (∩) (Fig. 1). Locate the pilot (Fig. 3.) inside of firebox at left hand side.
 - On the remote control handset, press the OFF button (red dot) and large flame button (1) simultaneously; a short acoustic signal confirms the start has begun.
 - Further short acoustic signals indicate the ignition process is in progress.
 - When the pilot is lit, the Flame Adjustment knob (3) will automatically rotate to the highest setting.
 - Press the small flame button (2) on the remote control handset to reduce the flame height.



- MANUAL IGNITION:** MAN-knob (2) in MAN position (Fig. 2). With the window off, locate the pilot (Fig. 3) inside of firebox at left hand side.
 - Set Flame Adjustment knob (3) to the lowest setting (∩).
 - Push down the metallic core (4) with a pen or similar instrument; this will establish the pilot gas flow.
 - Light gas at the pilot (5) with a match.
 - Continue holding down metal core (4) for about 10 seconds; after release, pilot should remain lit.
 - If the pilot will not stay lit after several tries, turn the gas control knob (3) to OFF (∩) and call your local service technician or gas supplier.
 - Reinstall the window and set the MAN-knob (2) to ON; turn Flame Adjustment knob (3) up (∪) or down (∩) manually or use the flame buttons (1)(2) buttons on the remote control handset to adjust the flame height.



TO TURN OFF GAS TO APPLIANCE

AUTOMATIC SHUT-OFF (using the remote control handset):

- Press and hold the small flame button (2) on the remote control handset to shut-off the main burner gas flow.
- Press OFF button (red dot) on remote handset to shut-off the appliance, including pilot flame.

State of Massachusetts Carbon Monoxide Detector/Vent Terminal Signage Requirements

For all side wall horizontally vented gas fueled equipment installed in every dwelling, building or structure used in whole or in part for residential purposes, including those owned or operated by the Commonwealth and where the side wall exhaust vent termination is less than seven (7) feet above finished grade in the area of the venting, including but not limited to decks and porches, the following requirements shall be satisfied:

1. INSTALLATION OF CARBON MONOXIDE DETECTORS. At the time of installation of the side wall horizontal vented gas fueled equipment, the installing plumber or gas fitter shall observe that a hard wired carbon monoxide detector with an alarm and battery back-up is installed on the floor level where the gas equipment is to be installed. In addition, the installing plumber or gas fitter shall observe that a battery operated or hard wired carbon monoxide detector with an alarm is installed on each additional level of the dwelling, building or structure served by the side wall horizontal vented gas fueled equipment. It shall be the responsibility of the property owner to secure the services of qualified licensed professionals for the installation of hard wired carbon monoxide detectors.

a. In the event that the side wall horizontally vented gas fueled equipment is installed in a crawl space or an attic, the hard wired carbon monoxide detector with alarm and battery back-up may be installed on the next adjacent floor level.

b. In the event that the requirements of this subdivision can not be met at the time of completion of installation, the owner shall have a period of thirty (30) days to comply with the above requirements; provided, however, that during said thirty (30) day period, a battery operated carbon monoxide detector with an alarm shall be installed.

2. APPROVED CARBON MONOXIDE DETECTORS. Each carbon monoxide detector as required in accordance with the above provisions shall comply with NFPA 720 and be ANSI/UL 2034 listed and IAS certified.

3. SIGNAGE. A metal or plastic identification plate shall be permanently mounted to the exterior of the building at a minimum height of eight (8) feet above grade directly in line with the exhaust vent terminal for the horizontally vented gas fueled heating appliance or equipment. The sign shall read, in print size no less than one-half (1/2) inch in size, "GAS VENT DIRECTLY BELOW. KEEP CLEAR OF ALL OBSTRUCTIONS".

4. INSPECTION. The state or local gas inspector of the side wall horizontally vented gas fueled equipment shall not approve the installation unless, upon inspection, the inspector observes carbon monoxide detectors and signage installed in accordance with the provisions of 248 CMR 5.08(2)(a)1 through 4.

(b) **EXEMPTIONS:** The following equipment is exempt from 248 CMR 5.08(2)(a)1 through 4:

1. The equipment listed in Chapter 10 entitled "Equipment Not Required To Be Vented" in the most current edition of NFPA 54 as adopted by the Board; and
2. Product Approved side wall horizontally vented gas fueled equipment installed in a room or structure separate from the dwelling, building or structure used in whole or in part for residential purposes.

(c) **MANUFACTURER REQUIREMENTS - GAS EQUIPMENT VENTING SYSTEM PROVIDED.** When the manufacturer of Product Approved side wall horizontally vented gas equipment provides a venting system design or venting system components with the equipment, the instructions provided by the manufacturer for installation of the equipment and the venting system shall include:

1. Detailed instructions for the installation of the venting system design or the venting system components; and
2. A complete parts list for the venting system design or venting system.

(d) MANUFACTURER REQUIREMENTS - GAS
EQUIPMENT VENTING SYSTEM NOT PROVIDED.

When the manufacturer of a Product Approved side wall horizontally vented gas fueled equipment does not provide the parts for venting the flue gases, but identifies “special venting systems”, the following requirements shall be satisfied by the manufacturer:

1. The referenced “special venting system” instructions shall be included with the appliance or equipment installation instructions; and
2. The “special venting systems” shall be Product Approved by the Board, and the instructions for that system shall include a parts list and detailed installation instructions.

(e) A copy of all installation instructions for all Product Approved side wall horizontally vented gas fueled equipment, all venting instructions, all parts lists for venting instructions, and/or all venting design instructions shall remain with the appliance or equipment at the completion of the installation.

Specifications

Approval & Codes

This appliance is certified to ANSI Z21.88-2014/ CSA 2.33-2014 American National Standard / CSA Standard for *Vented Gas Fireplace Heaters* for use in Canada and USA, and to CGA 2.17-91 *High Altitude Standard in Canada*. This appliance is for direct vent installations.

This appliance complies with CSA P4.1-09 *Testing method for measuring annual fireplace efficiencies*.

The installation must conform to local codes or, in the absence of local codes, with the *National Fuel Gas Code, ANSI Z223.1* or the *Natural Gas and Propane Installation Code CAN/CGA-B149*. Only qualified licensed or trained personnel should install this appliance.

This appliance must be electrically grounded in accordance with local codes, or, in the absence of local codes, with the *National Electrical Code, ANSI/NFPA 70* or the *Canadian Electrical Code, CSA C22.1*.

Ratings

Model	N	P
Gas	Natural	Propane
Altitude (Ft.)*	0-4,500 feet*	
Input Maximum (Btu/h)	30,000	28,000
Input Minimum (Btu/h)	18,000	18,500
Manifold Pressure (in w.c.)	4.0"	9.5"
Minimum Supply Pressure (in w.c.)	5"	11"
Maximum Supply Pressure (in w.c.)	10"	14"
Main Burner Injector Marking	850	300
Pilot Injector Marking	51	30
Min. Rate By-Pass Screw	220	160

*High Altitude Installations

Input ratings are shown in BTU per hour and are certified without deration for elevations up to 4,500 feet (1,370 m) above sea level.

For elevations above 4,500 feet (1,370 m) in USA, installations must be in accordance with the current ANSI Z223.1 and/or local codes having jurisdiction. Heating value of gas in some areas is reduced to compensate for elevation—consult your local gas utility to confirm.

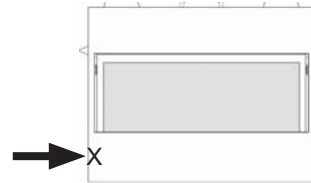
For installations at elevations above 4,500 feet (1,370 m) in Canada, please consult provincial and/or local authorities having jurisdiction.

Supply Gas

Heater engine 1500IN is used with natural gas.

Heater engine 1500IP is used with propane gas.

The supply pressure must be between the limits shown in the Ratings section above.



The supply connection is 3/8" NPT male and located on the left hand side of the firebox. A shut-off valve (not supplied) is required on the supply line to isolate the unit during service. See *Gas Supply Installation* section for details.

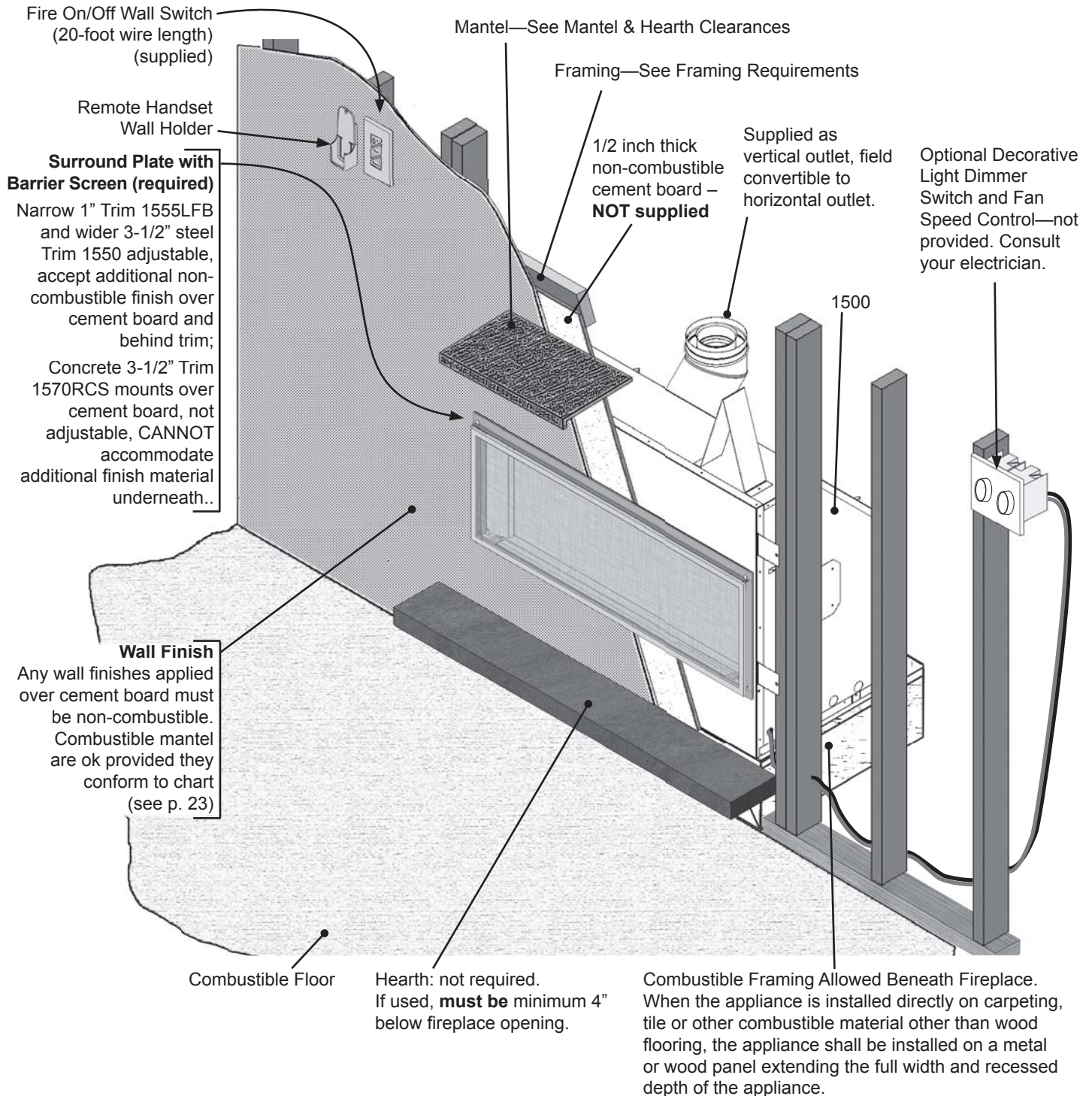
Conversion Kits

The 1500 L1 is supplied as natural gas or propane gas and is field convertible between fuels. See instructions packaged with the conversion kit for further information.

Electrical Wiring

The 1500 is designed to run on battery power and does not require an electrical power source to operate as a heater. However, it requires electrical power to operate optional 1565LLK Linear Lighting Kit, 1595CFK Circulating Fan Kit or 1270RBK Remote Blower Kit.

Overview



⚠ WARNING

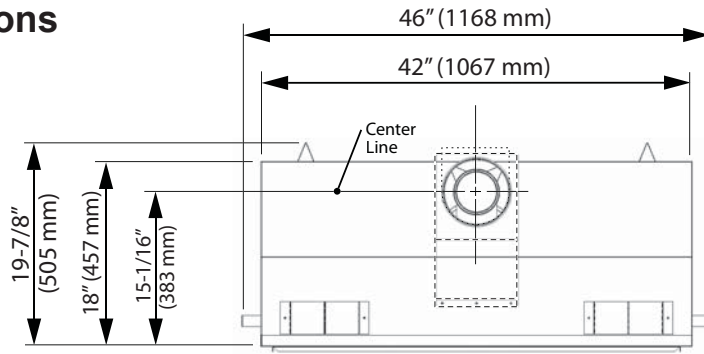
Some materials or items, although safe, may discolor, shrink, warp, crack, peel, and so on because of the heat produced by the fireplace. Avoid placing candles, paintings, photos, and other items sensitive to heat around the fireplace.

⚠ WARNING

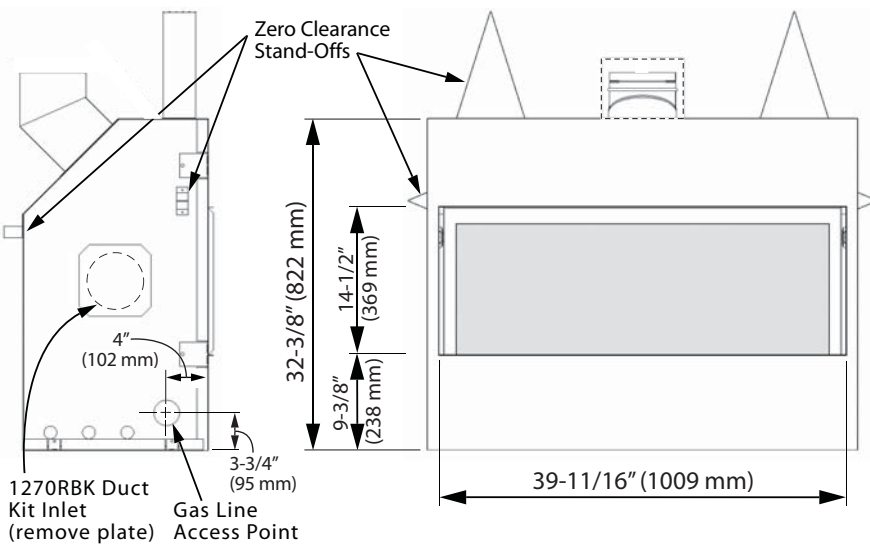
HOT WALL SURFACES! The wall directly above the fireplace is constructed of non-combustible materials and, although safe, it may reach temperatures in excess of 250° F depending on choice of trims. Do not touch. Finish the wall using materials suitable for these temperatures.

Dimensions & Location

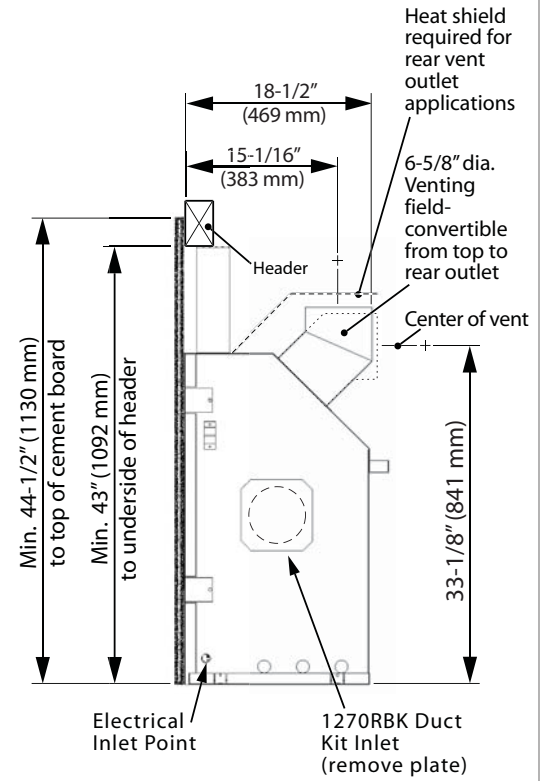
Dimensions



Top View



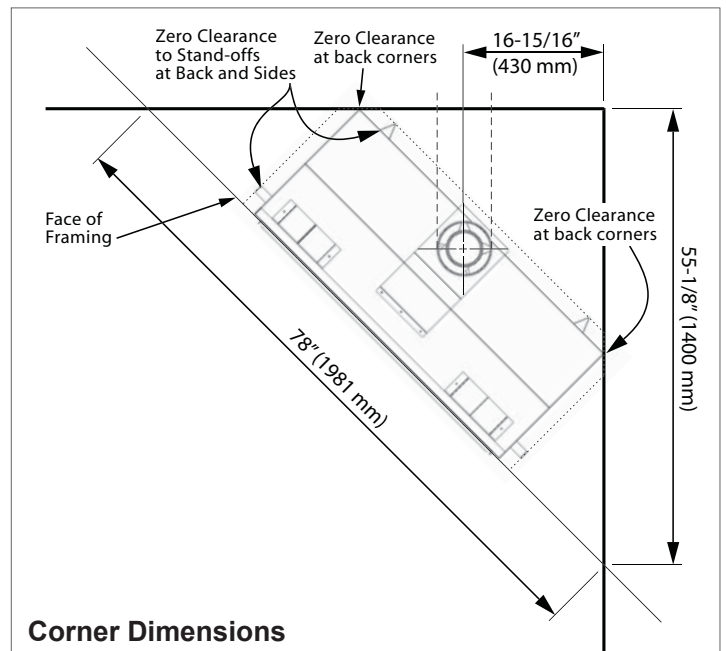
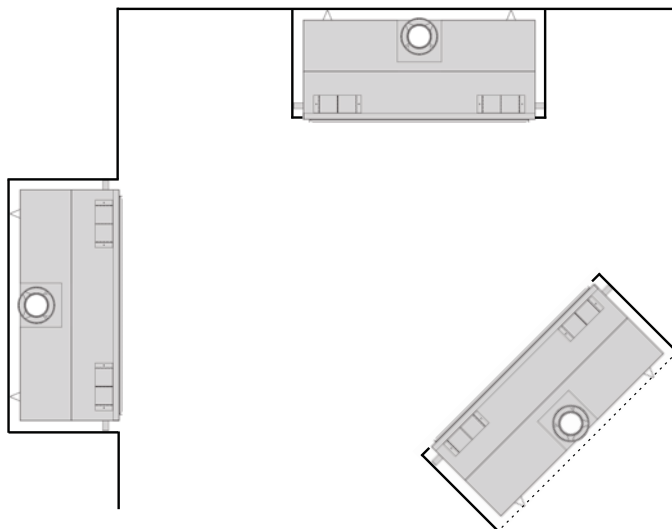
Left Side View



Right Side View

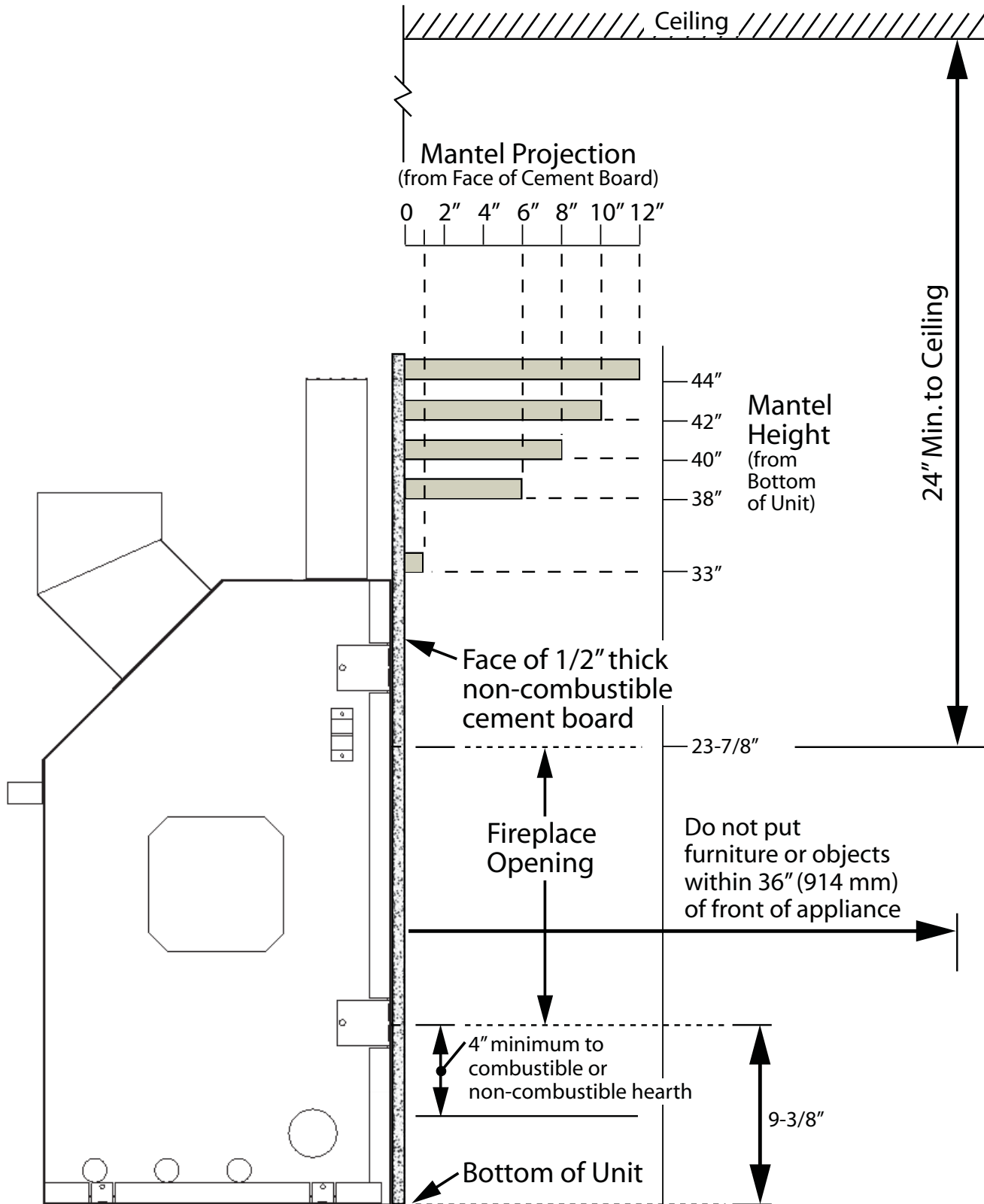
Front View

Location

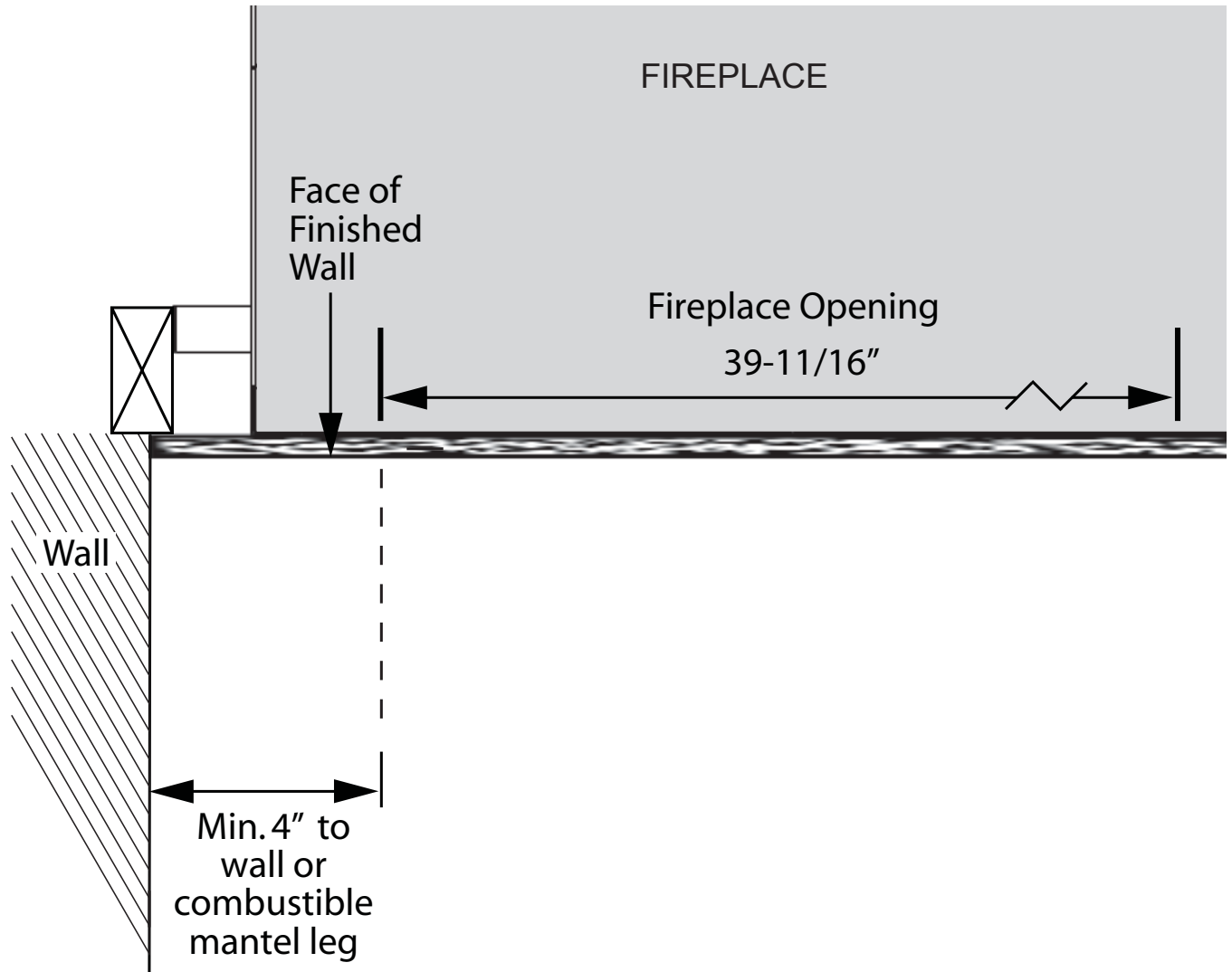


Corner Dimensions

Combustible Mantel—Left Side View

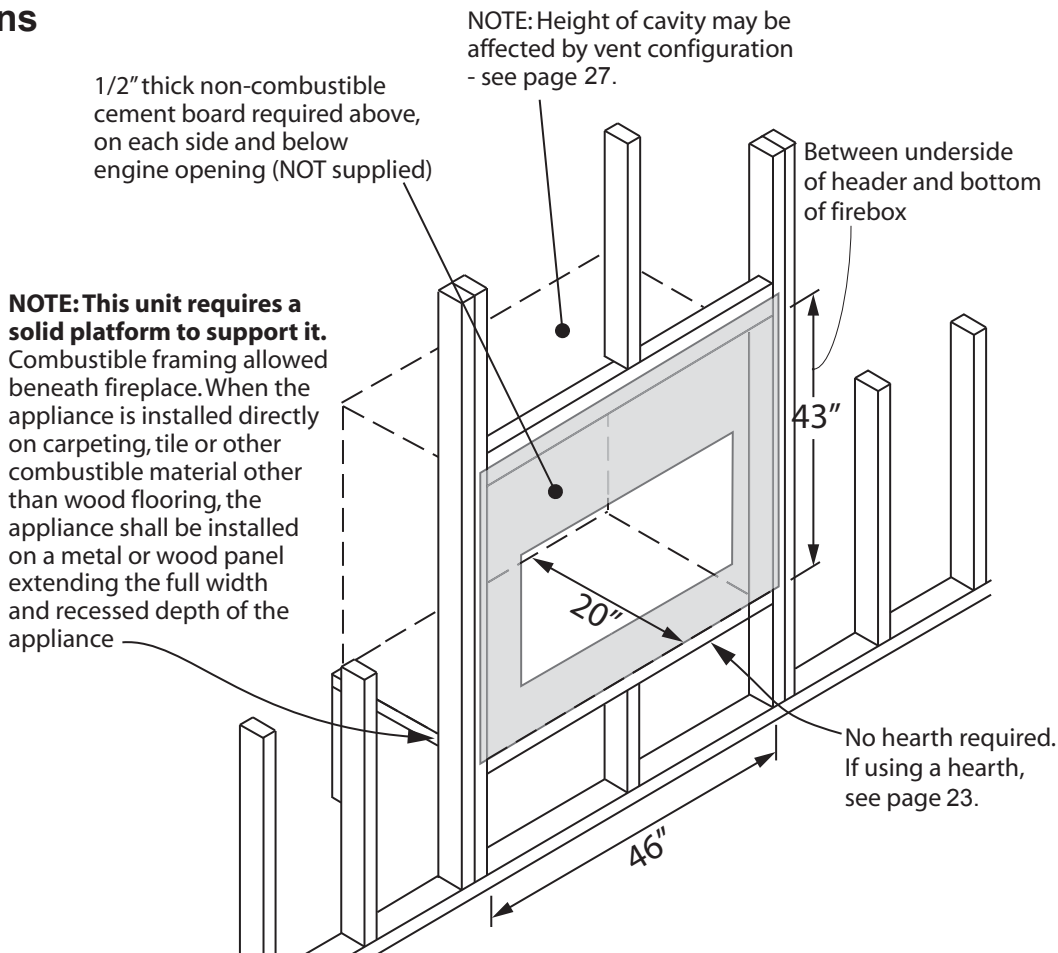


Combustible Sidewall / Mantel Leg—Top View



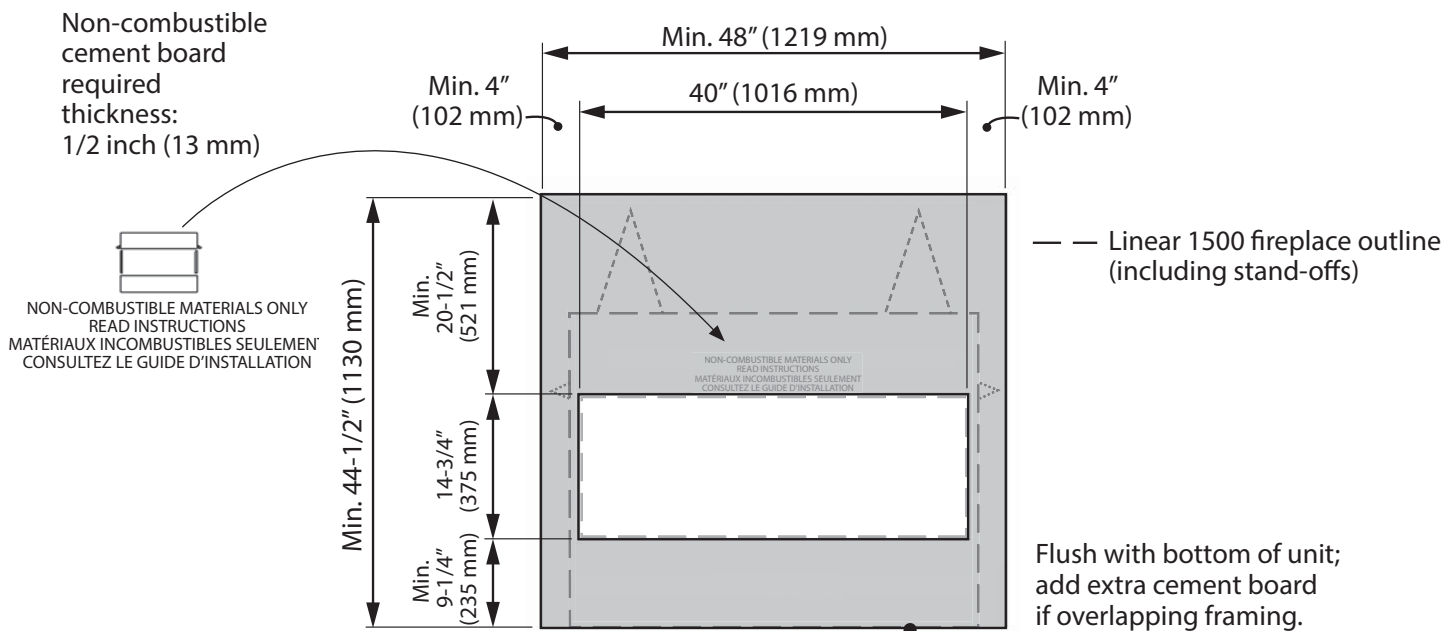
Framing Requirements

Framing Dimensions



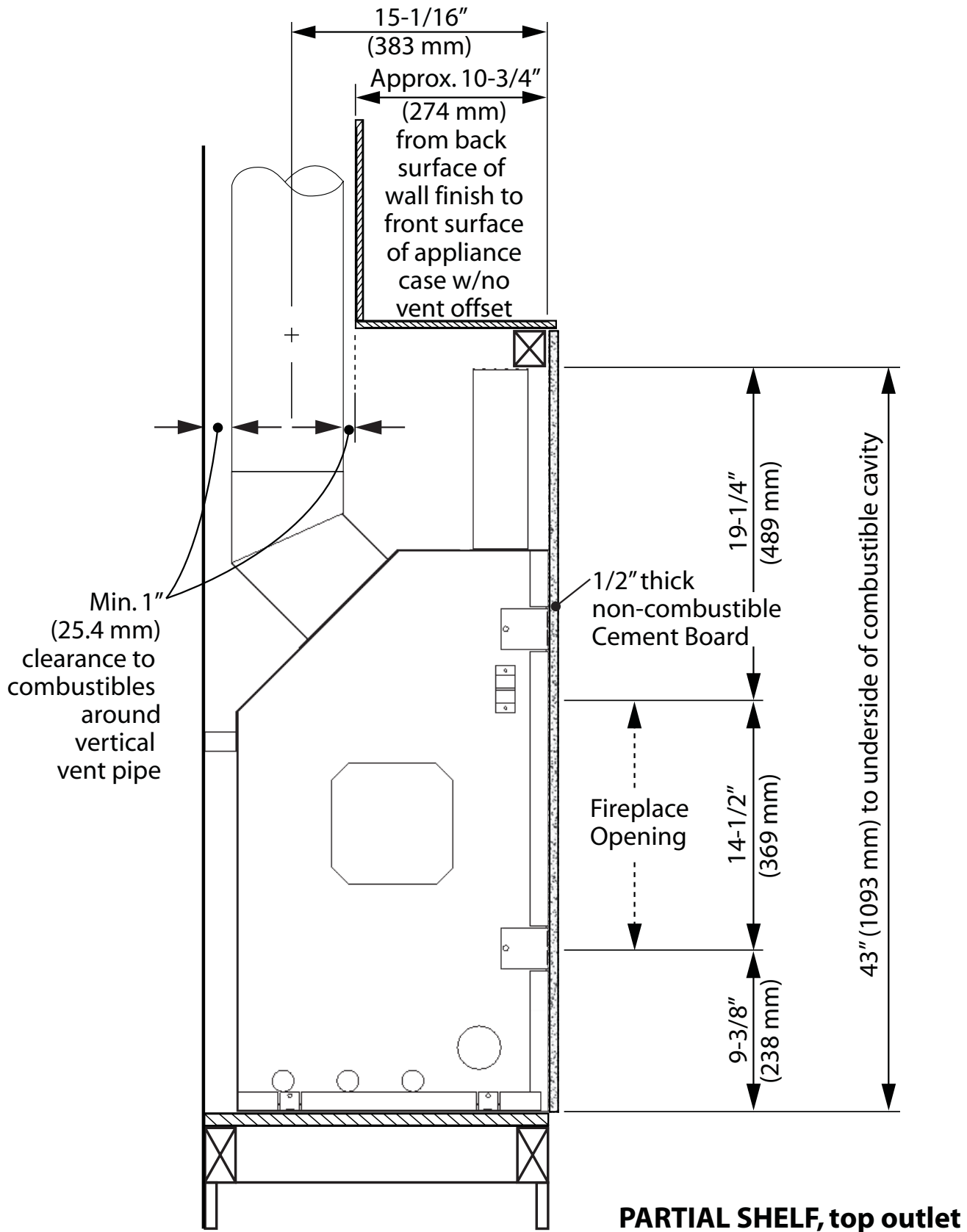
Minimum Cement Board Dimensions

Minimum coverage area of non-combustible cement board.
Any **wall** finish applied to shaded area must be non-combustible.



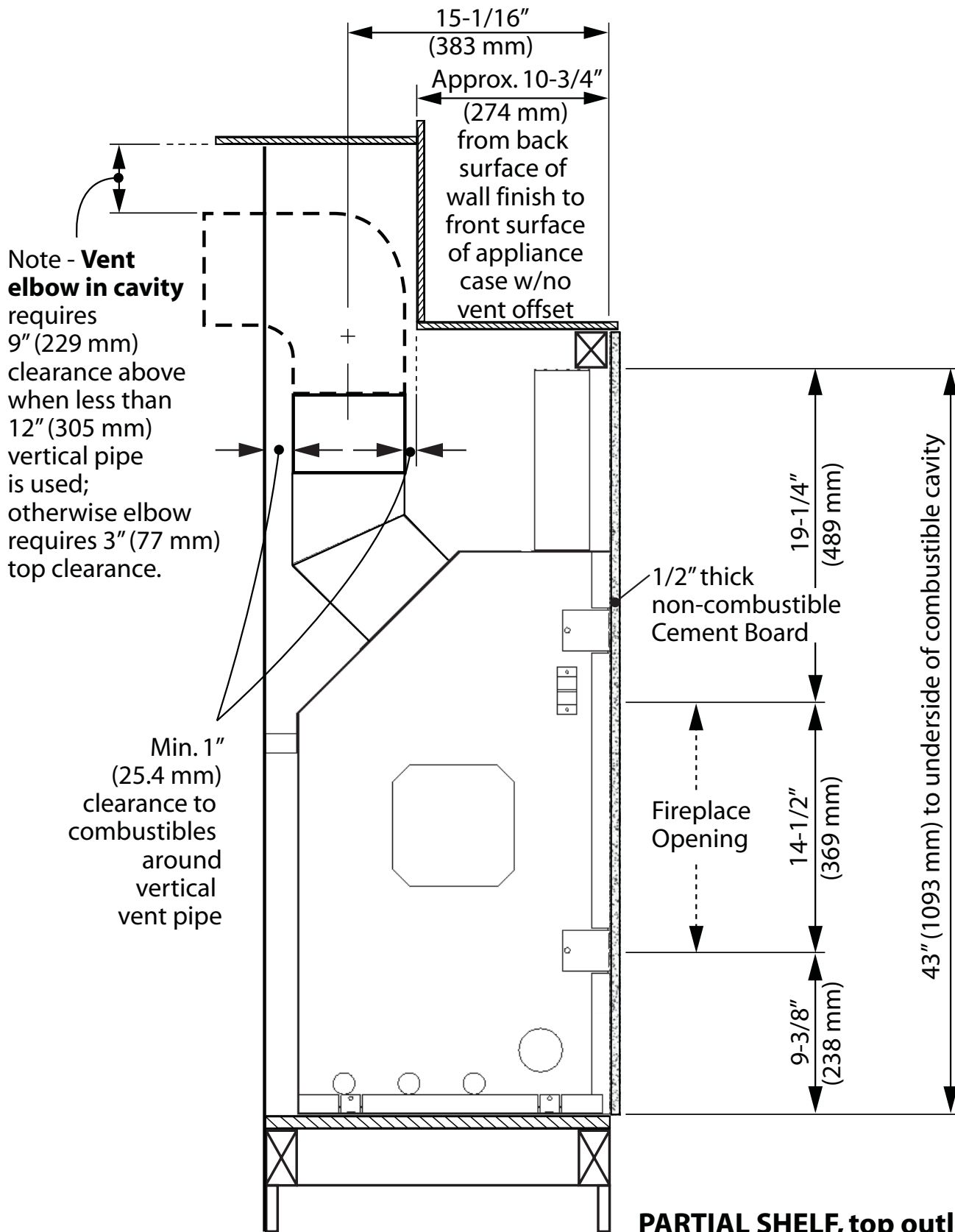
Framing Requirements

Framing with Partial Shelf—Top Outlet



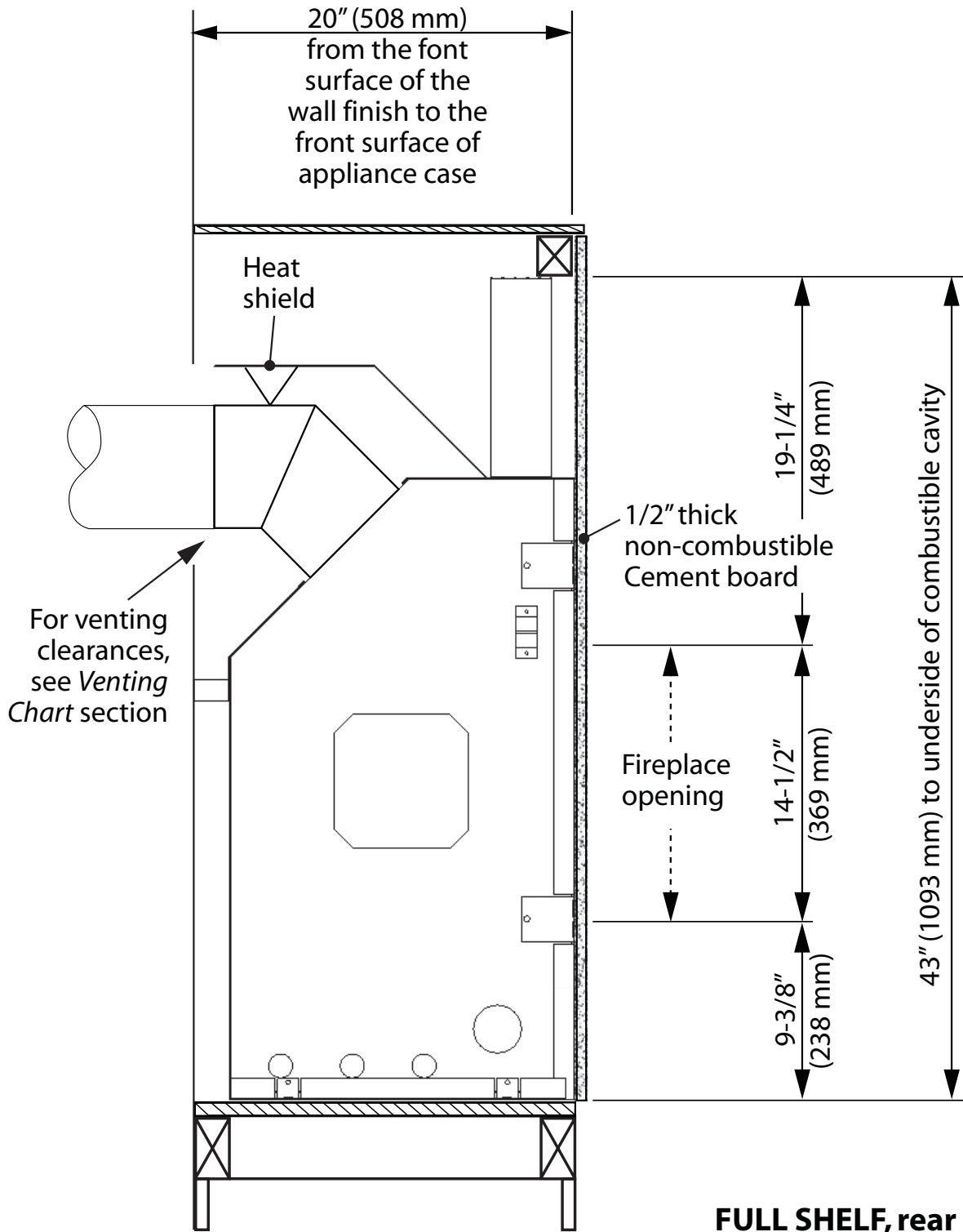
Framing Requirements

Framing with Partial Shelf—Top Outlet, vent elbow in cavity



Framing Requirements

Framing with Full Shelf—Rear Outlet



Venting

Top or Rear Outlet

This unit is supplied with a top vent outlet which can be field-converted to a rear vent outlet. See *Appliance Preparation* section for more information.

Vent Material

This unit is approved for installation using 4 x 6-5/8 inches co-axial direct vent pipe and accessories as listed in the *Approved Venting Components* section on pages 57–58 of this manual. Follow the installation instructions supplied with the individual venting accessories.

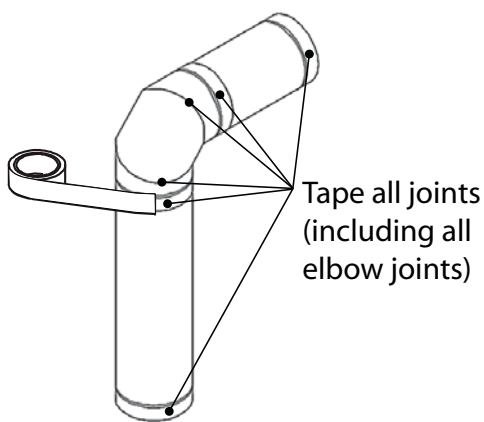
This unit may also be converted to co-linear (2 x 3 in) venting for use in solid-fuel burning fireplaces and chimneys using adapters and accessories—see list in the *Approved Venting Components* section on pages 57–58 of this manual.

Vent Sealing

Seal all outer coaxial pipe and elbow joints, including sectioned elbow joints, using high quality, high temperature 2 inch wide self-adhesive aluminum foil tape (Nashua-322-2 brand or similar). Wrap the tape completely around all joints and press firmly to seal.

A high temperature black silicone sealant may be used in the outer joints as a substitute to foil tape.

Ensure all the pipe joints have a minimum of 1 ¼ inch overlap.

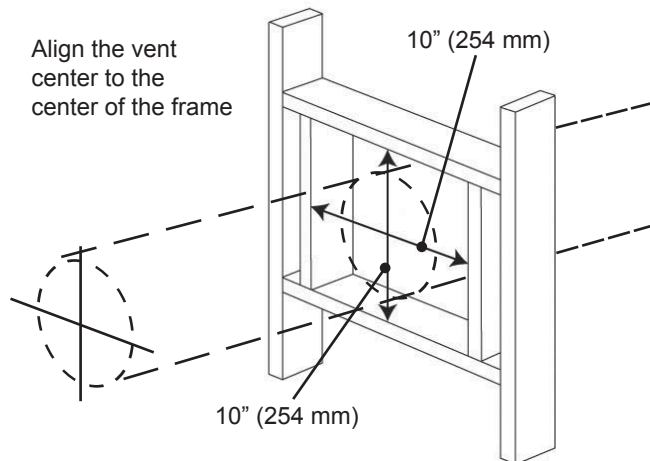


Wall Thickness

The appliance vent is suitable for penetrating a combustible wall assembly up to 8 inches in thickness. A non-combustible wall can be of any thickness up to the maximum horizontal run of vent pipe allowed for the particular installation.

Framing Vent in Combustible Walls & Ceilings

When penetrating through combustible walls and ceilings, frame a minimum of 10 in x 10 in opening and ensure that the insulation is kept clear of the vent pipe using either a wall thimble or an attic insulation shield. Follow the installation instructions supplied with the individual venting components.



Important Installer Notice – Weather Sealing & Vapor Barriers

It is the installer’s responsibility to ensure that vent installations through exterior walls are caulked and weatherproofed in such a manner as to:

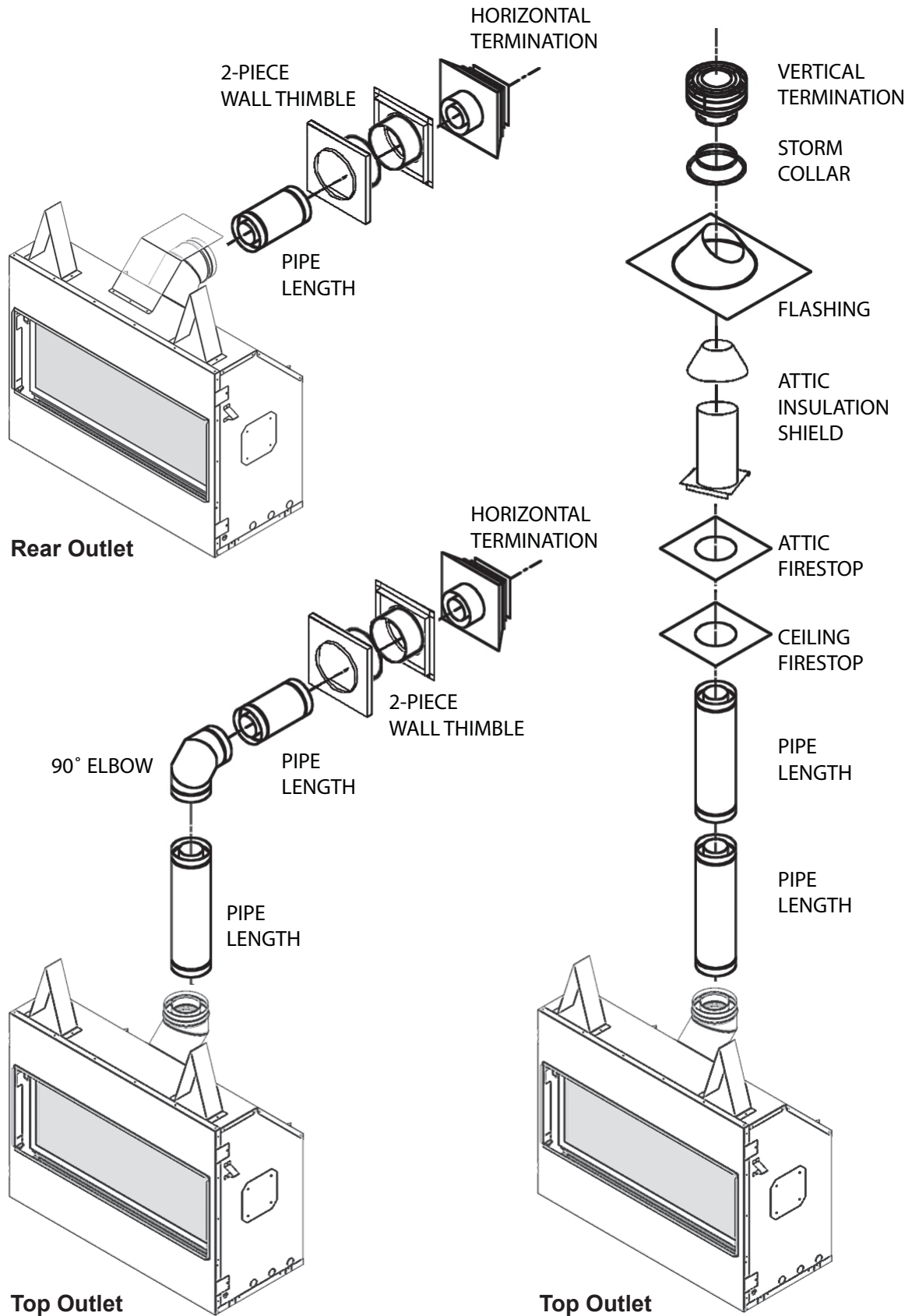
- Prevent rain water from entering the wall from the weather side by adequately caulking the outer vent plate to the exterior wall surface.
- Prevent moisture inside the home from penetrating into the wall structure by ensuring the inside wall plate is adequately sealed to the inside vapor barrier.
- Prevent rain water and moisture from entering the walls by sealing the joints between the outer vent tube and the inner and outer wall plates.

We recommend the use of a high quality polyurethane sealant.

All horizontal pipe runs must be graded 1/4 inch per foot upwards in the direction of the exhaust flow. The final pipe length, when terminating through the wall may be graded downwards slightly to prevent water migration.

Co-axial Venting

Typical Co-axial Venting Components



Co-axial Venting

How to Read the Venting Chart

The chart below applies to co-axial roof or wall termination.

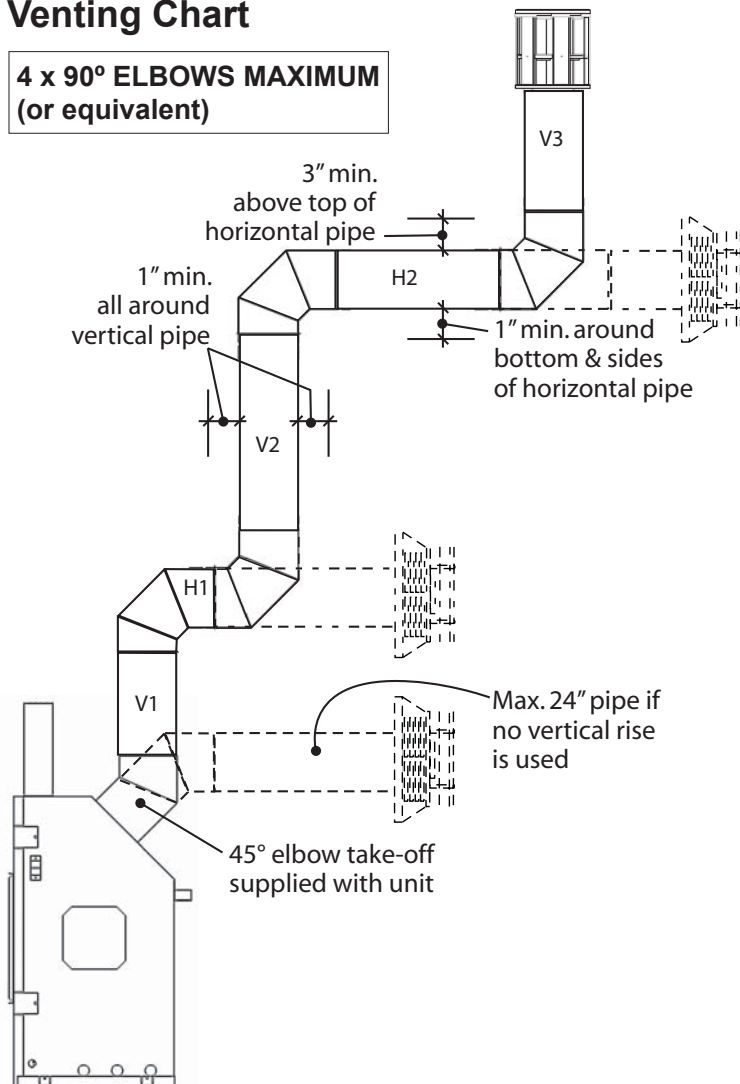
1. The total length of the vent pipe cannot exceed 40 feet.
2. The minimum vertical height with roof termination is 6 feet.
3. Any combination of rise and run can be used as long as they are within the allowable limits shown on the chart below.
4. A maximum of 4 x 90 degrees elbows—or equivalent (2 x 45 degrees = 90 degrees)—can be used. Excludes the 45 degrees take-off elbow shipped with the appliance.

5. Each 90 degrees elbow installed on the horizontal plane is equivalent to a 3 feet horizontal pipe; therefore, 3 feet must be subtracted from allowable horizontal run. (45 degrees elbow is equivalent to 18 inches horizontal pipe.)
6. All horizontal pipe runs must be graded 1/4 inch per foot upwards in the direction of the exhaust flow. The final pipe length, when terminating through the wall may be graded downwards slightly to prevent water migration.
7. A restrictor adjustment is required for most installations having a vertical rise—see next section.

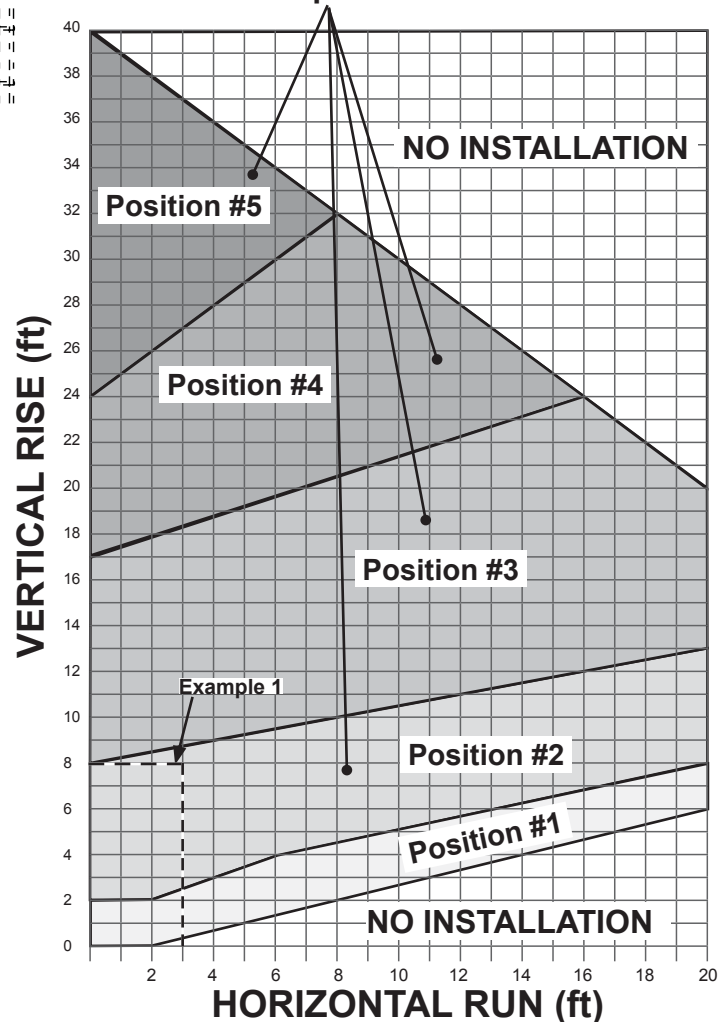
Note: The restrictor is shipped installed at the exhaust exit of the firebox.

Venting Chart

**4 x 90° ELBOWS MAXIMUM
(or equivalent)**



Allowable Co-Axial Vent Configurations with restrictor positions



Example 1

$V \text{ Value} = V1 (2') + V2 (4') + V3 (2') = 8'$

$H \text{ Value} = H1 (0') + H2 (3') = 3'$

Restrictor position # 2 required

Co-axial Venting

Restrictor

The restrictor is located in the roof of the firebox hidden above the top liner panel. Adjust the restrictor before installation of the top liner panel. Should subsequent adjustment be required, you will need to remove the top liner panel—see page 43.

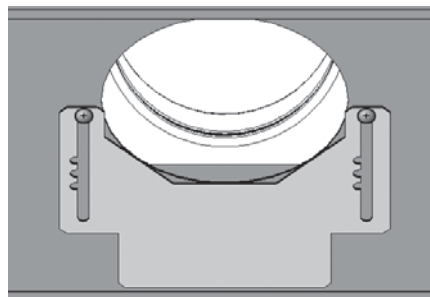
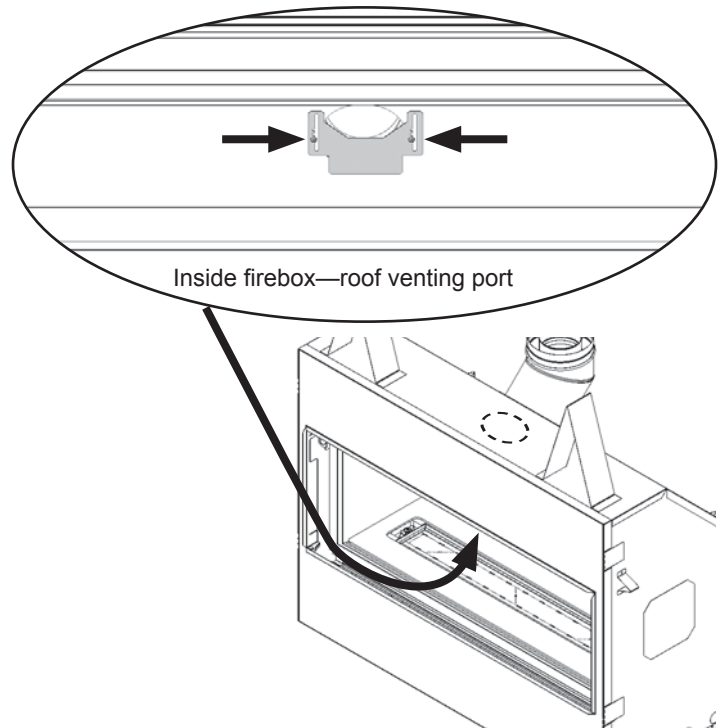
ALL INSTALLATIONS REQUIRE A RESTRICTOR for improved flame picture and performance. This unit is supplied with a pre-fitted restrictor having five different positions or settings. The restrictor is shipped mounted at the maximum open position which is used for rear venting with no vertical rise. The level of restriction required depends on the vertical rise in the venting system and, to a lesser degree, the horizontal run and number of elbows.

The amount of restriction is based on laboratory tests. The ideal restrictor position may vary slightly, especially when the vent pipe length is near the limits of the acceptable configurations for each type of restrictor.

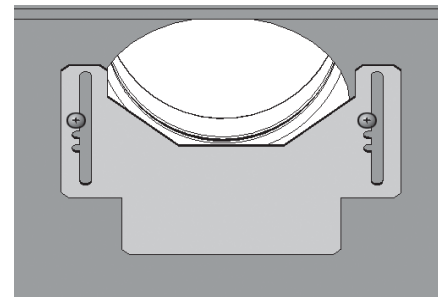
The chart on the previous page shows the vent restrictor required relative to the length of the vent pipe.

To set the restrictor position:

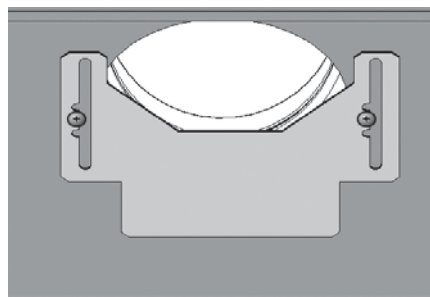
1. Establish the required position of the restrictor looking up the venting table on the previous page.
2. Release the screws (2) on each side of the restrictor already installed **on the firebox roof port**.
3. Slide the restrictor in the required position.
4. Tighten the screws.



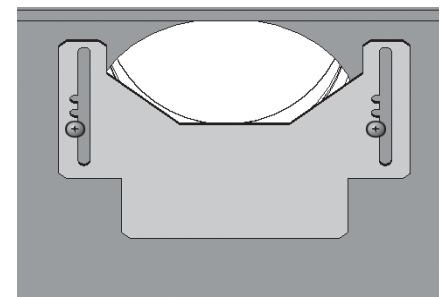
Position #1



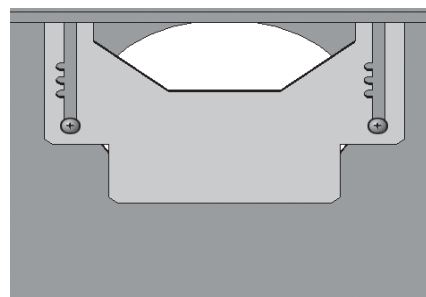
Position #2



Position #3



Position #4



Position #5

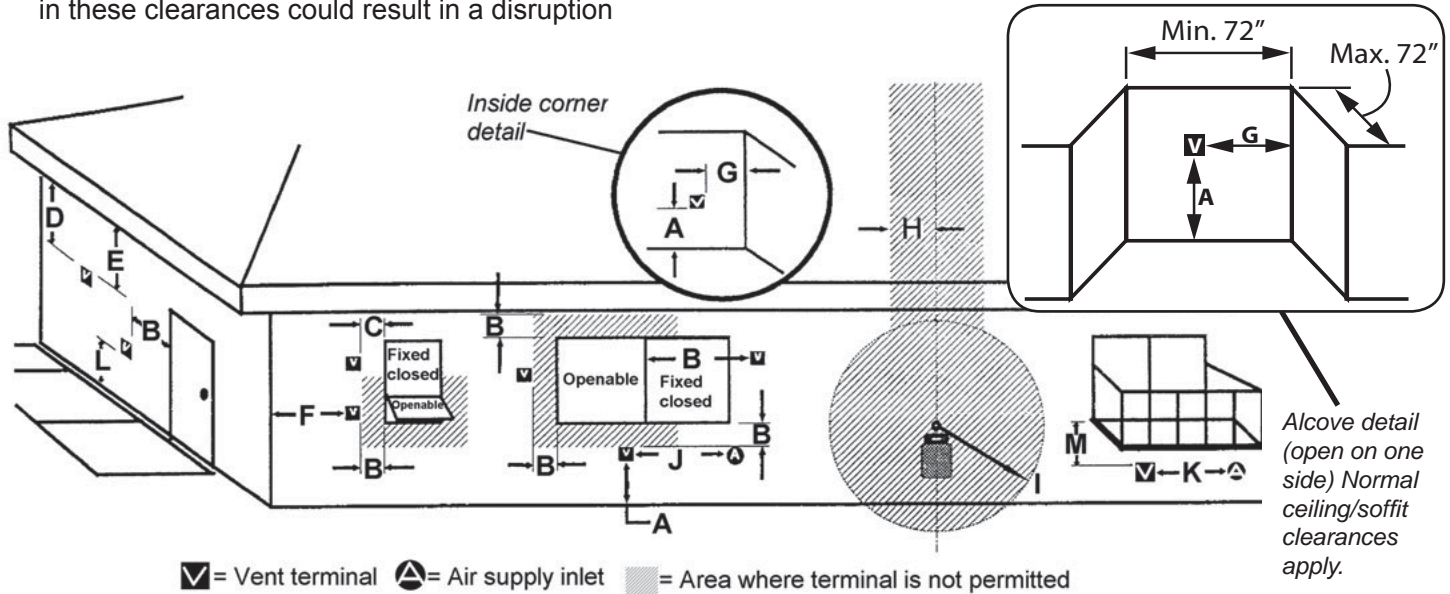
Co-axial Venting

Vent Termination

- The vent terminal must be located on an outside wall or through the roof.
- This direct vent appliance is designed to operate when an undisturbed airflow hits the outside vent terminal from any direction.
- The minimum clearances from this terminal that must be maintained when located on an outside wall are shown in the figure below. Any reduction in these clearances could result in a disruption

of the airflow or a safety hazard. Local codes or regulations may require greater clearances.

- The vent terminal must not be recessed into a wall or siding.
- The vent terminal should be positioned where it will not be covered by snowdrifts.
- Sidewall vent terminations within 7' of grade require a terminal guard such as the 845TG.



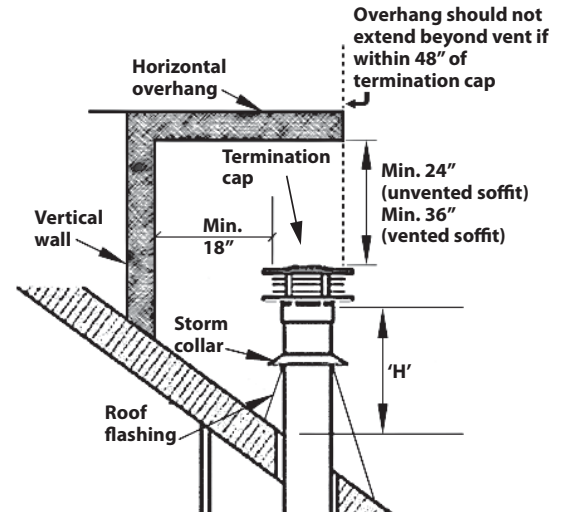
KEY	VENT TERMINAL LOCATIONS - MINIMUM DISTANCES	MINIMUM CLEARANCE	
		Inches	Cm
A	Clearance above grade, verandah, porch, deck or balcony	12	30
B	Clearance to window or door that may be opened	12	30
C	Clearance to permanently closed window (recommended to prevent condensation on window)	12	30
D	Vertical clearance to ventilated soffit located above the terminal within a horizontal distance of 2 feet (60 cm) from the center-line of the terminal	18	46
E	Clearance to unventilated soffit	12	30
F	Clearance to outside corner	12	30
G	Clearance to inside corner	12	30
H	Horizontal clearance to center-line of meter/regulator assembly located within 15 feet (4,6 m) below the terminal	36	90
I	Clearance to service regulator vent outlet	36	90
J	Clearance to non-mechanical air supply inlet to the building or the combustion air inlet to any other appliance	12	30
K	Clearance to a mechanical air supply inlet	72	180
L	Clearance above paved sidewalk or a paved driveway located on public property Note: A vent must not terminate directly above a sidewalk or paved driveway, which is located between two single-family dwellings and serves both dwellings	84	210
M	Clearance under a verandah, porch, deck or balcony Only permitted if veranda, porch, deck or balcony is fully open on a minimum of 2 sides beneath the floor	12	30

Note: Local codes and regulations may require different clearances.

Co-axial Venting

Vertical Vent Termination

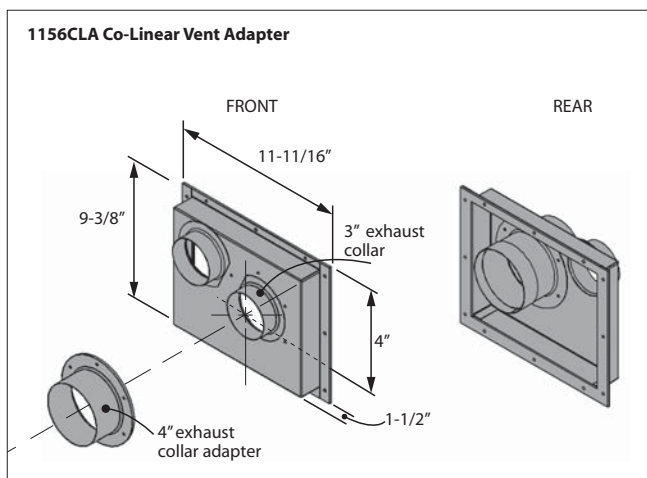
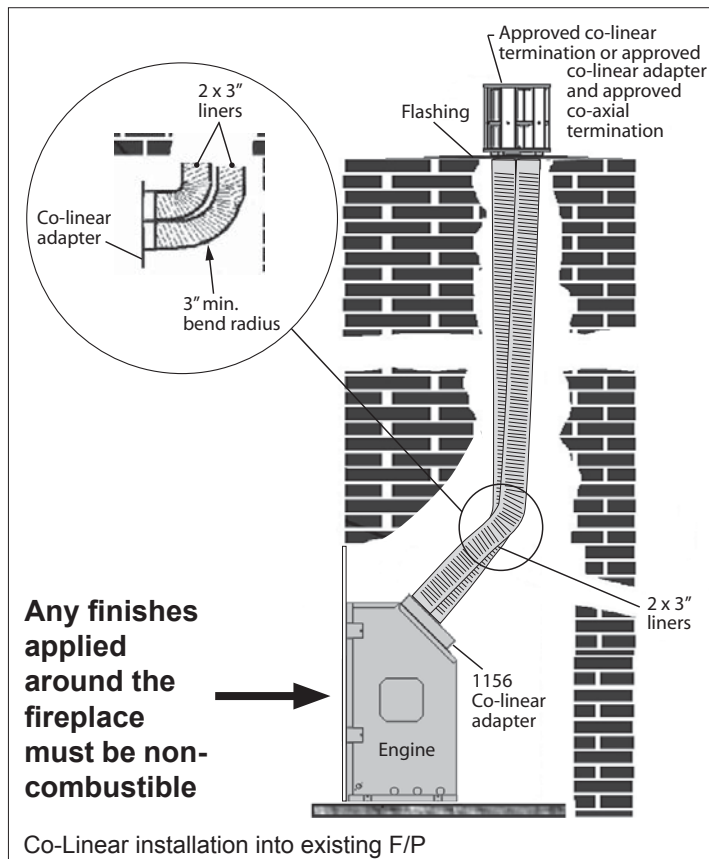
Roof Pitch	Minimum "H" (feet)
Flat to 7/12	1'
Over 7/12 to 8/12	1.5'
Over 8/12 to 9/12	2'
Over 9/12 to 10/12	2.5'
Over 10/12 to 11/12	3.25'
Over 11/12 to 12/12	4'
Over 12/12 to 14/12	5'



Co-Linear Venting

Conversion to Co-Linear Liners using Valor 1156CLA Co-Linear Adapter

Co-linear portion of vent system may only be installed within a solid-fuel burning fireplace and chimney. The appliance must not be connected to a chimney flue serving a separate solid-fuel burning appliance. Requires the Valor Co-Axial to Co-Linear appliance Adapter 1156CLA, two lengths of 2-ply 3" dia. flexible chimney liner approved for venting gas appliances, a co-linear termination kit and flashing or a co-linear to co-axial adapter and either a high wind vertical vent terminal cap or a low profile vertical termination. Firebox zero clearance standoffs supplied with the heater are not required for this application.



Rules for Co-Linear Venting

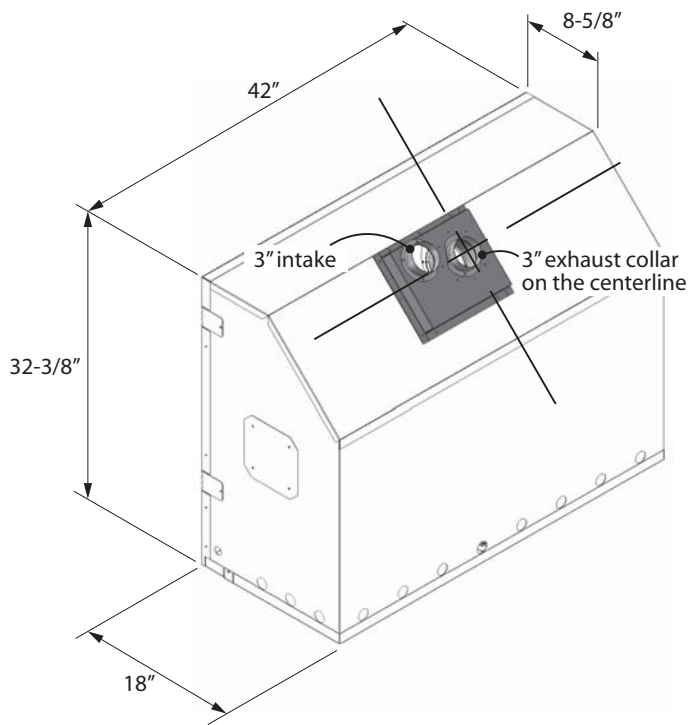
- Maximum 40 feet vertical pipe
- Minimum 10 feet vertical
- Maximum offset 8 feet with liners at minimum 45 degrees from horizontal plane
- Restrictor: Use #4 position for all co-linear installations—refer to page 32 for restrictor positioning.

Dimensions with co-linear adapter

Dimensions shown are with Valor 1156 co-linear adapter.

Installation

For installation of the adapter to the appliance, see the instructions supplied with the 1156CLA.



Installation Planning

Installer—READ THIS FIRST

Only qualified licensed or trained personnel should install this appliance.

1. YOU NEED TO KNOW FROM THE HOMEOWNER:

- The height of the unit and hearth if used;
- The thickness and type of the wall finish around the firebox opening;
- What accessories (trim, decorative lighting, etc.) will be installed with this fireplace;
- The venting configuration.

2. Unpack the appliance, removing all items packed inside and around the appliance.
3. Check that you have everything, using the Pack Content sheet. Also, check that you have:
 - ◇ a fuel bed (packed separately)
 - ◇ a set of liners (packed separately)
4. Finish the framing.
5. Fit the appliance into framing and fix it to the framing.
6. Remove the window of the appliance.
7. Install the venting system and tape vent pipe joints.
8. Position the restrictor.

9. Connect the electrical wiring for optional electric accessories if used.
10. Install the optional electric accessories if used.
11. Connect and test the gas supply.
12. Install the liners.
13. Install the middle platform supports.
14. Install the fuel bed.
15. Refit the window and the hot glass safety plate if removed.
16. Install the control wall switch kit.
17. Initialize the remote control system.
18. Verify the operation and adjust aeration settings.
19. Install the remote control handset wall holder.
- 20. Instruct the homeowner on the operation and maintenance of the fireplace.**
21. Finish the wall around the fireplace.
22. Install the surround trim **and barrier screen**.

Installation

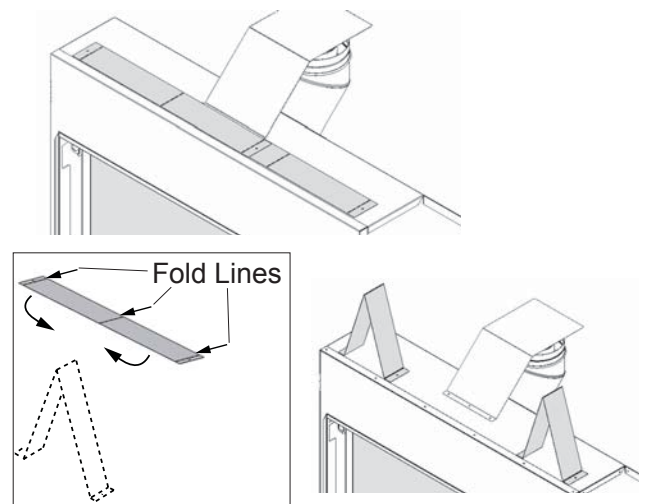
Unpack Appliance

Beware of sharp edges! Wear gloves!

1. Remove the cardboard wrapping and the wood pallet from the appliance and discard.
2. Unpack any loose items from around the appliance.
3. Remove the window and set aside in a safe place to avoid damage—see next page.
4. **Verify that you have all the components required for the installation, including:**
 - ◇ approved cement board;
 - ◇ liners and fuel bed (in separate cartons);
 - ◇ trim kit with barrier screen;
 - ◇ venting components and accessories;
 - ◇ electrical components if installing optional decorative light wall switch or blower.

Fit Standoffs

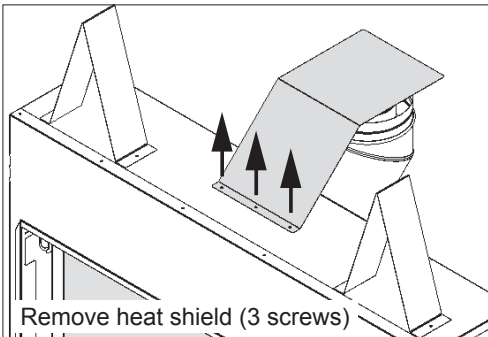
The standoffs are supplied flat on the firebox and fixed at one end. Bend them as shown and fix the loose end to the top of the firebox.



Remove Heat Shield

Remove the heat shield from the top of the appliance case (3 screws).

If using the top outlet, discard the shield. If using a rear outlet, keep the shield to reinstall after converting the top to rear outlet—see next subsection.

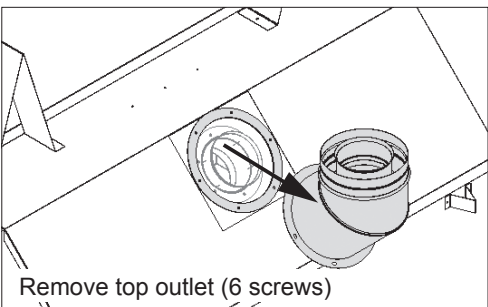


Convert from Top to Rear Outlet (if required)

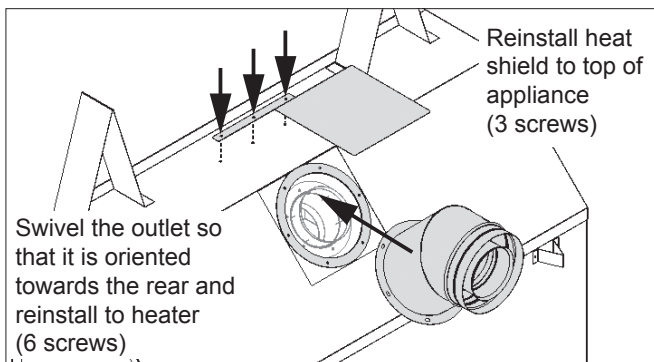
This unit is supplied with a top vent outlet which can be field-converted to a rear vent outlet.

Please note that the rear outlet requires the installation of the heat shield on top of the heater case as indicated.

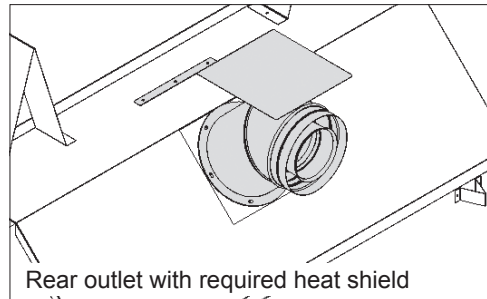
1. Remove the top outlet collar (6 screws).



2. Swivel the collar and install as a rear outlet (6 screws).

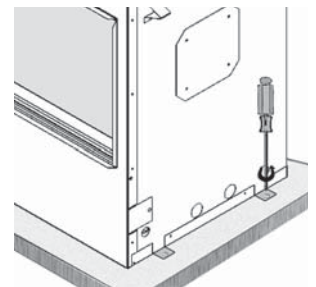


3. Reinstall the heat shield to the top of the appliance case (3 screws).

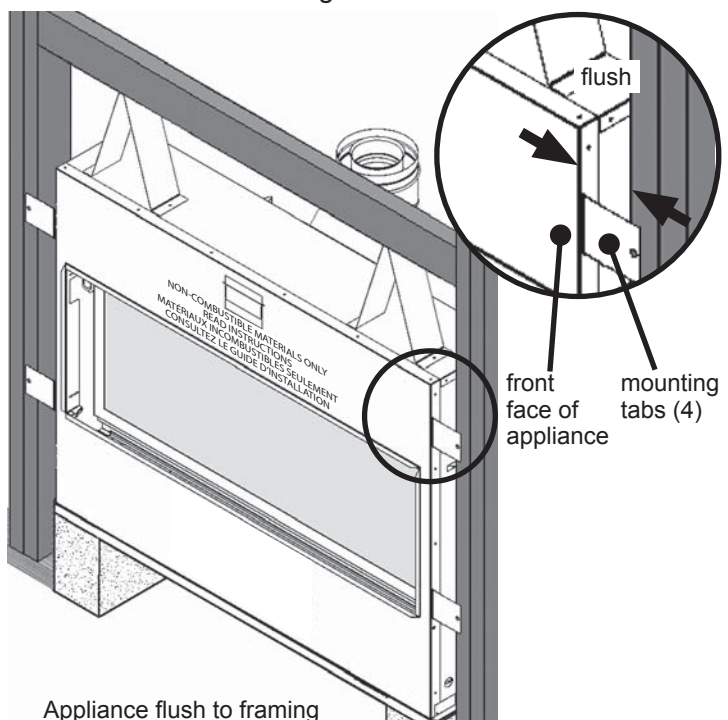


Fit Appliance into Framing

1. Remove the 4 screws retaining the engine to its pallet.
2. Taking great care not to cut your hands on the sheet metal edges, lift the appliance out of its packing base and place it in the framing. *Make sure that the unit is at the right height with consideration to the height of the hearth or combustible flooring.*
3. Fold out four mounting tabs and recess the appliance in the framing as shown.
4. Fasten the unit to framing using 4 screws or nails at the mounting tabs.



Note: The sheet metal front face of the appliance is flush with the framing studs.



Installation

Plan Wall Finish

Non-combustible cement board

The L1 Linear fireplace requires a 1/2" (13 mm) thick non-combustible cement board to be used as a wall surface immediately surrounding the unit on each side—see diagram for minimum coverage.

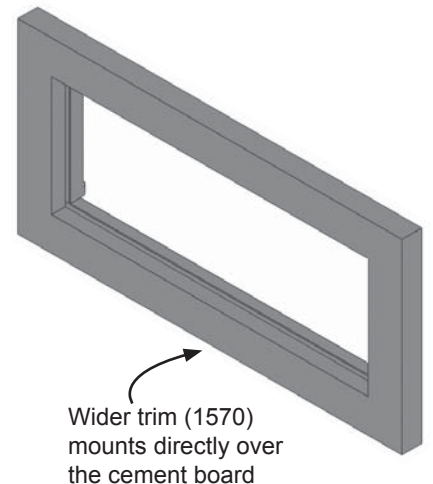
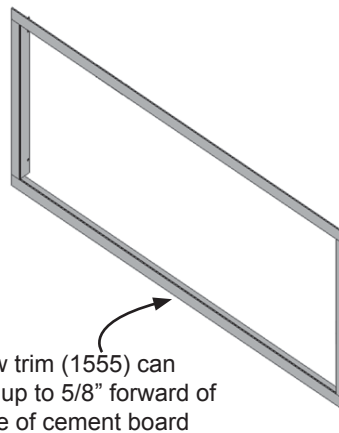
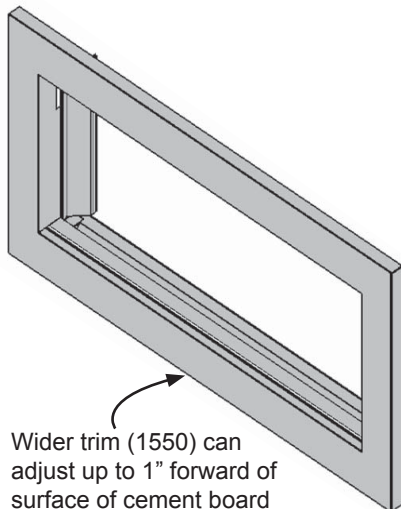
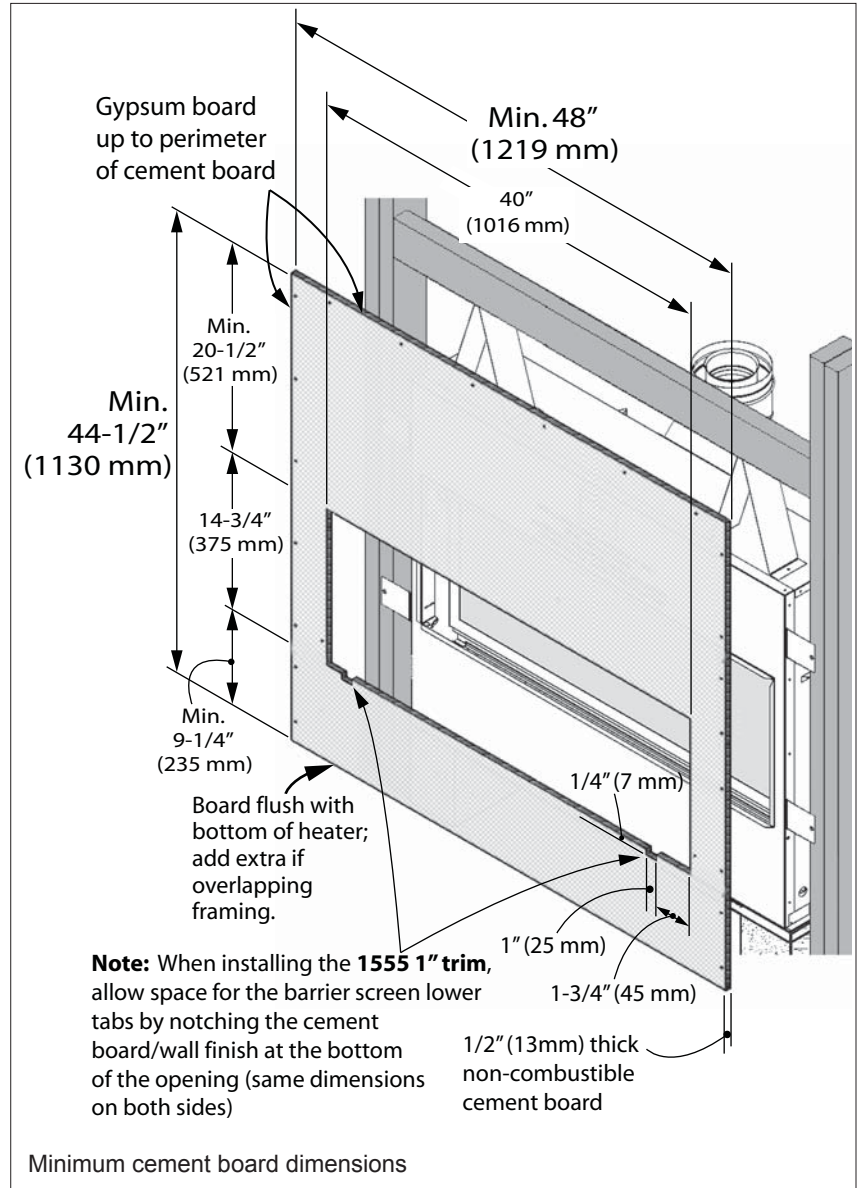
Extending the cement board well beyond the minimum shown will help avoid cracking due to differential expansion of materials.

Pre-drill cement board with oversized holes and do not over-tighten screws to avoid cracking due to heat expansion.

Standard gypsum wall board may be used beyond the perimeter of the cement board.

Non-combustible finishing over cement board

Additional non-combustible material such as tile, etc., may be applied over top of the cement board or you may choose to leave it finished clean with no tile, etc.—see page 39. Be aware that a trim is always required and that only the 1555 and 1550 style trims will accept tile, etc. tucked behind them (up to 5/8" thick for the 1555 and up to 1 inch thick for the 1550). Additional non-combustible finishes, if desired, may be butted up to the concrete trim 1570RCS. Finish **should not cover** the trims.



Installation

Cracking wall finishes

If a clean finish with no tile, etc. is desired, joints in the cement board and the transition to gypsum board will require special attention if future cracking is to be controlled. Be aware that temperatures on the non-combustible wall surface above the appliance can exceed 250°F.

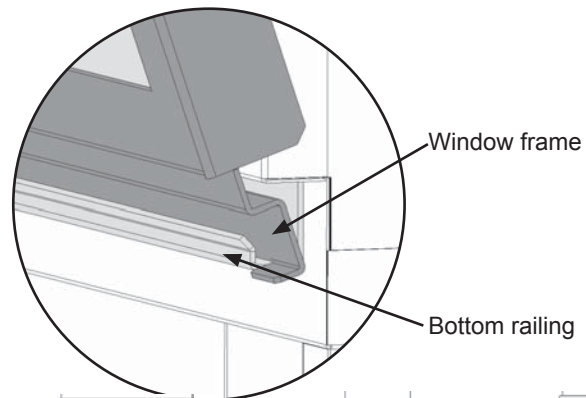
Below are some tips on how to best avoid any cracking:

- Allow materials to dry thoroughly before finishing the wall. Cement board has the ability to absorb up to 30 percent of its weight in water and may shrink as much as 1/8" over a 48" length when drying from a saturated condition. Running the fireplace before final finishing will help drive out moisture.
- Always pre-drill screw holes through cement board and use screws with self-milling head.
- Always use tape over joints.
- Behind joints, double up studs or use studs "on the flat" to add extra support to the joint. Adhesive on the backside of wall board behind any joints can help control differential movement.
- Use multiple, thinner coats of joint compound and allow to dry thoroughly between coats.
- Ensure framing materials are dry.
- After finishing the wall, introduce heat gradually to slowly dry any excess moisture rather than drying too fast.
- Avoid notching cement board or tiles around corners of window opening and instead provide a joint that intersects the corner.

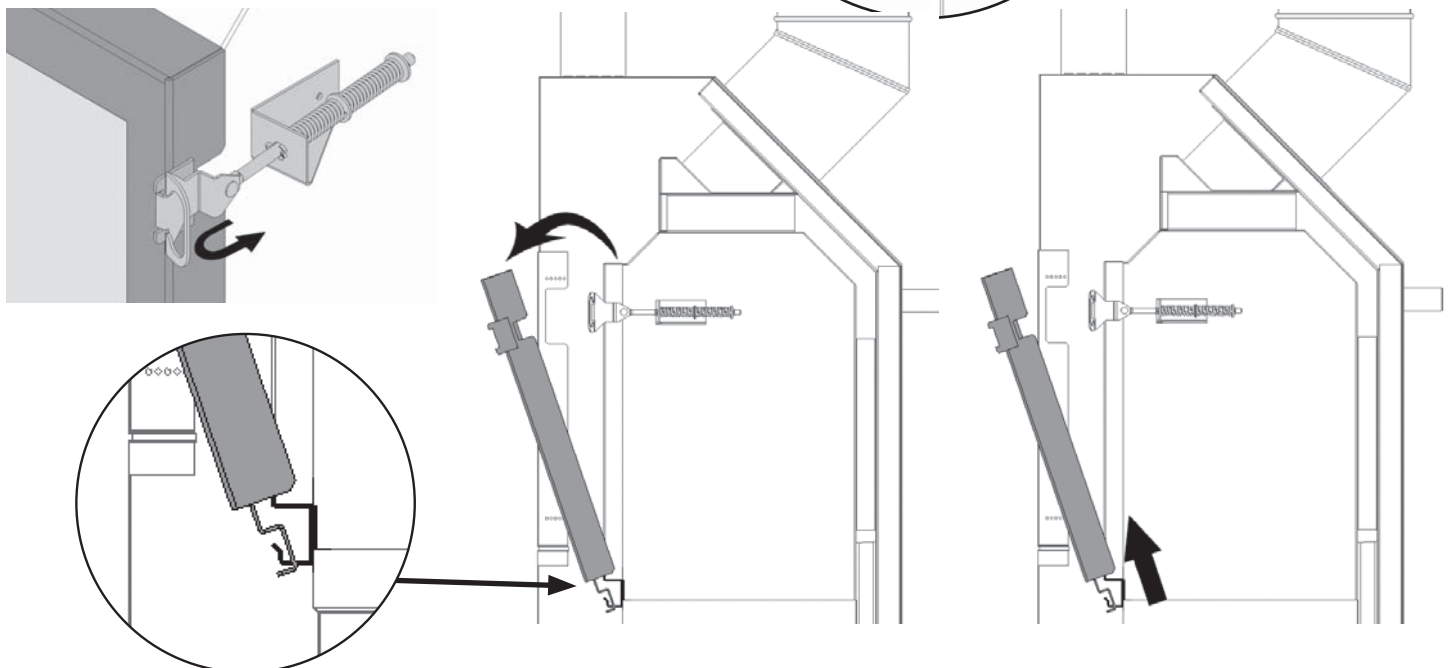
Remove Window

The window is held in place by a spring-loaded lever on each side.

1. To remove the window, locate the levers on each side of the window towards the top. Using your finger, pull the lever towards you and unhook it from the window frame bracket.
2. Gently pull the top of the window outward.
3. Lift the window out of its bottom railing and set it aside in a safe place to avoid damage.



Section Views



Installation

Install Electrical Wiring (for optional accessories)

This section provides information to install the electric pre-wiring required for use with the 1595CFK Circulating Fan Kit and/or the 1565LLK Lighting Kit.

All wiring must be done by a qualified electrician in accordance with local codes or, in the absence of local codes, with the *National Electrical Code, ANSI/NFPA 70* or the *Canadian Electrical Code, CSA C22.1*.

Electrical Requirements

1595CFK—120 V, 60 Hz, less than 1 amp

1565LLK—120 V, 60 Hz, 200 W, halogen

General Requirements

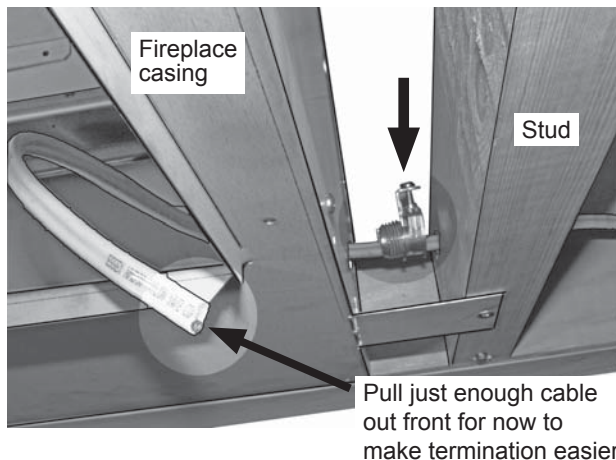
Both optional 1595CFK and 1565LLK kits include a three-prong grounded plug to plug into a grounded duplex receptacle installed within the fireplace enclosure by a qualified electrician.

Notes

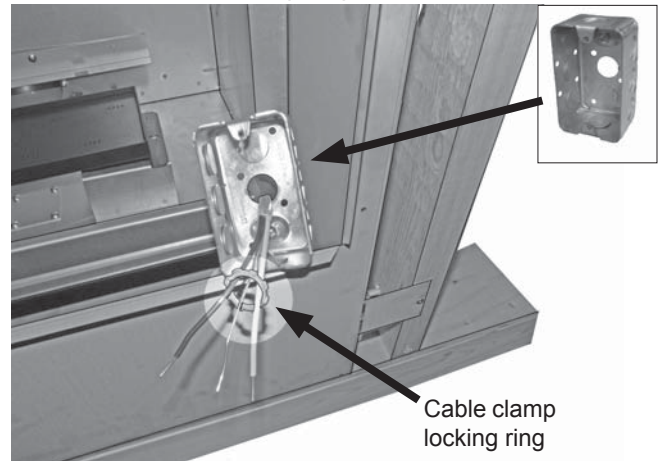
- A fan speed control and/or lighting dimmer switch will need to be provided by the electrician, mounted at a convenient location on the wall, and connected to control power supply to each of the receptacles within the fireplace enclosure.
- If using both accessories, separate cables or switch legs will be required and the duplex receptacle will need to be “split” to ensure separate control of fan and lighting.
- The duplex receptacle and box must be located as per these instructions. Wiring within this box must have a minimum 90°C temperature rating.

Installation

1. Thread the cable through the cable clamp and through the hole in the lower right hand corner of the fireplace casing. Do not tighten the clamp yet. **Note:** May require a 3-wire cable and ground for independent control of fan and lighting.



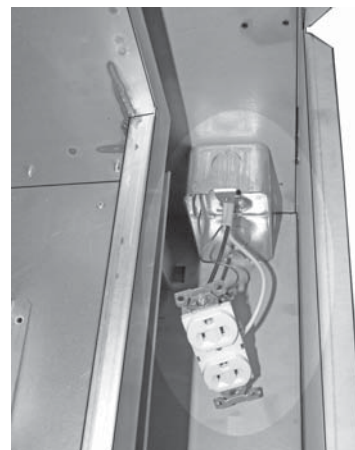
2. Provide a steel surface mount electrical utility box (Iberville BC 1110 or equivalent), thread cable through knock-out in the back of box and through the cable clamp locking ring (if used).



3. Strip wire and terminate grounded receptacle. “Split” receptacle and control separately if using fan and lighting control.



4. Mount the electrical box to the side of the fireplace casing using self-tapping sheet metal screws. Pull the excess cable back through the cable clamp and tighten the locking ring to the cable clamp. Alternate clamp without locking ring may be used - ensure the proper clamp is used for the type of cable used.

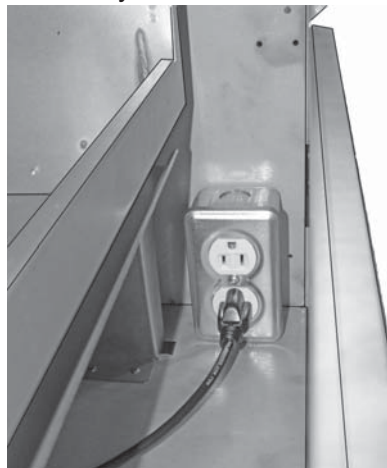


Installation

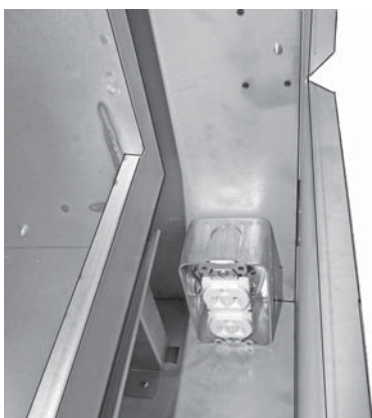
5. Tighten cable clamp on outside of fireplace casing and secure and excess wire to framing.



7. Mount steel cover to electrical box and plug in the accessory cable.



6. Mount receptacle into electrical box.



Set-up Gas Supply

The gas supply inlet connection is a 3/8" NPT male connector located on the left hand side of the firebox.

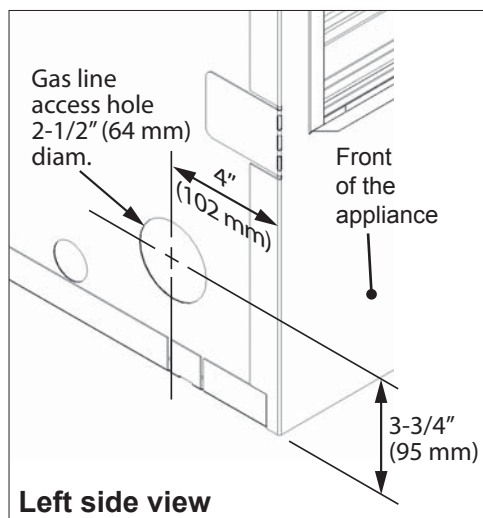
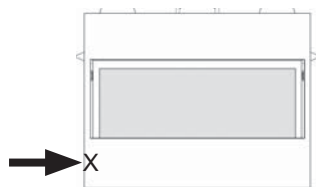
The unit is supplied with a stainless steel flex line to allow the appliance to be disconnected for service. An individual shut-off valve (not supplied) is required on the supply line ahead of the flex connector.

Use only new black iron or steel pipes or copper tubing if acceptable—check local codes. Note that in USA, copper tubing must be internally tinned for protection against sulfur compounds.

Unions in gas lines should be of ground joint type.

The gas supply line must be sized and installed to provide a supply of gas sufficient to meet the maximum demand of the appliance without undue loss of pressure.

Sealant used must be resistant to the action of all gas constituents including LP gas. Sealant should be ap-



plied lightly to male threads to ensure excess sealant does not enter gas lines.

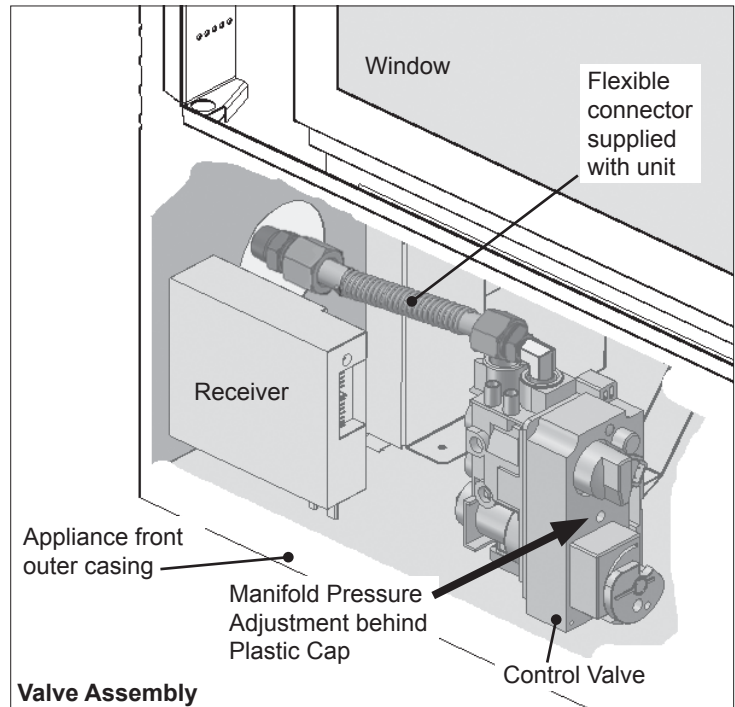
Installation

Pressure test the supply line for leaks.

The appliance and its individual shut-off valve must be disconnected from the gas supply piping system during any pressure testing of that system at test pressures in excess of 1/2 psig (3.5 kPa).

The appliance must be isolated from the gas supply piping system by closing its individual manual shut-off valve during any pressure testing of the gas supply piping system at test pressures equal to or less than 1/2 psig (3.5 kPa).

Failure to either disconnect or isolate the appliance during pressure testing may result in regulator or valve damages and void the warranty. Consult your dealer in case of damages.



Pressure Test Points

The minimum supply pressure is given in the section *Specifications* of this manual—page 20.

All piping and connections must be tested for leaks after installation or servicing. All leaks must be corrected immediately.

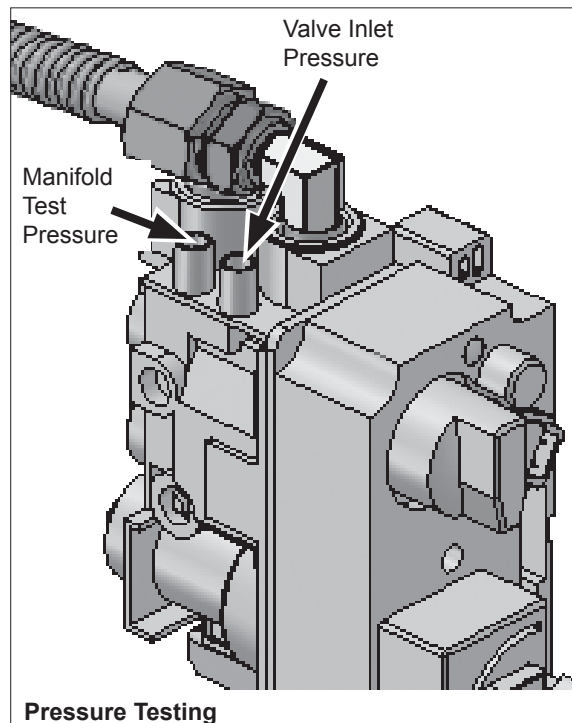
When testing for leaks:

- Make sure that the appliance is turned off.
- Open the manual shut-off valve.
- Test for leaks by applying a liquid detergent or soap solution to all joints. Bubbles forming indicate a gas leak.

Never use an open flame to check for leaks.

Correct any leak detected immediately.

The pressure test tapping locations are shown in the figure at right. An internal regulator within the valve controls the burner manifold pressure. The correct pressure range is shown in the table in section *Specifications* of this manual on page 20. The pressure check should be made with the burner alight and at its highest setting. See *Lighting Instructions* section for full operating details on page 17.



Installation

Install Liners

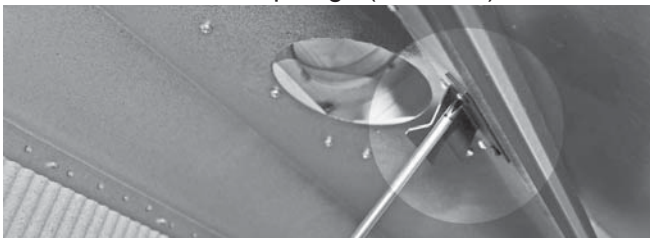
The liners install in the manner outlined below **with the exception of the 1525RGL—Reflective Glass Liners**: see instructions supplied with the liners.

Unpack the liner panels carefully.

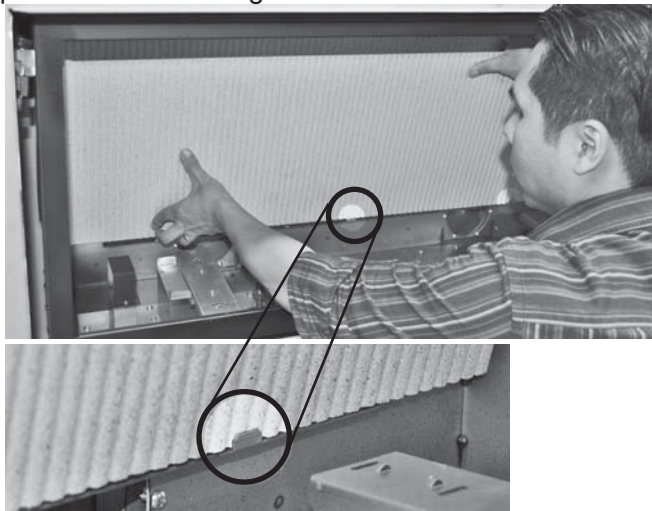
1. Inside the firebox, on the top of each side, release the screw of the side panel anchors (one per side) just enough to allow them to rotate.



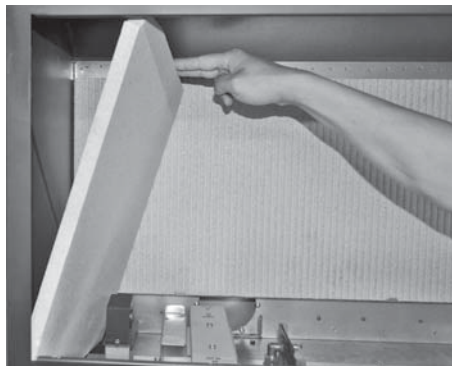
2. Remove the top panel support located in the center of the firebox at the top edge (2 screws).



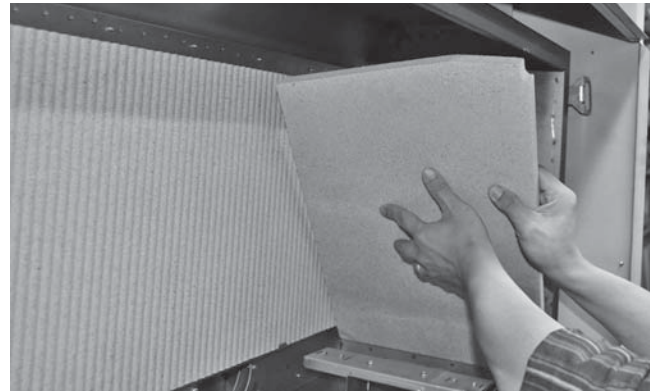
3. Place the rear panel, beveled edge on top, on the ledge above the ports of the rear of the firebox. The panel sits on the ledge behind the tabs.



4. Place the left panel against the left wall of the firebox.



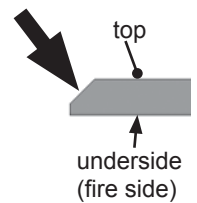
5. Place the right panel against the right wall of the firebox.



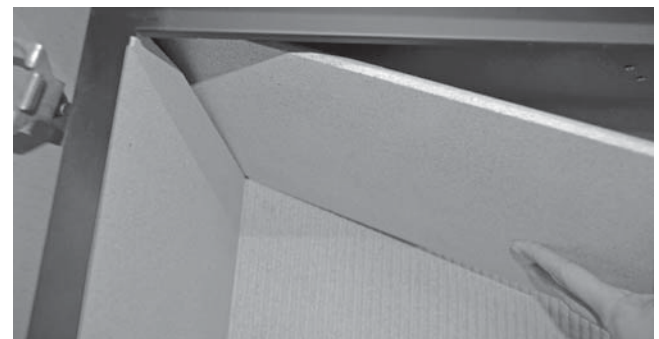
6. Tighten the side panel anchors on each side of the firebox.



7. Insert the top panel over the top of one of the side panels as far as possible. The bevel goes on the top and straight edge fire side. Rotate the other end of the top panel upwards and pull it back to rest on the other side panel. Center the top panel and push as far back as possible to rest it on the rear panel.



NOTE: If the space is too tight, the top panel can be installed before the right panel. In this case, install the right panel last.



8. Reinstall the top panel support (2 screws).

Install Driftwood Kit 1505DWK

Material required

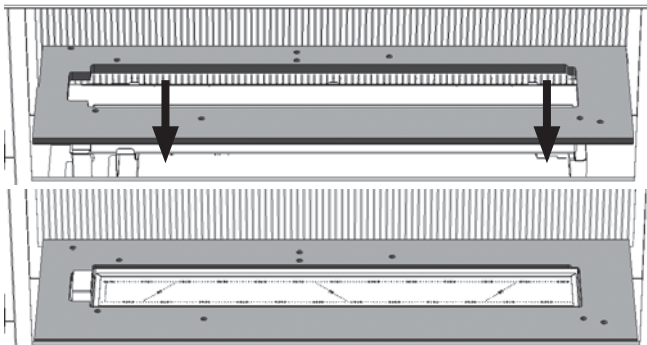
- Black steel platform (supplied with appliance)
- Small container to distribute vermiculite (not included)
- Driftwood Kit containing:
 - ◇ 5 logs
 - ◇ 6 pebbles
 - ◇ 1 bag of vermiculite

Installation

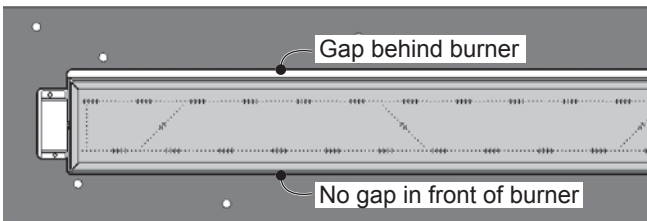
Platform

Carefully unpack the kit.

1. Install the steel platform around the burner as indicated. The openings in the platform should be underneath. Push the platform as far back as possible to maximize the air gap behind the burner.



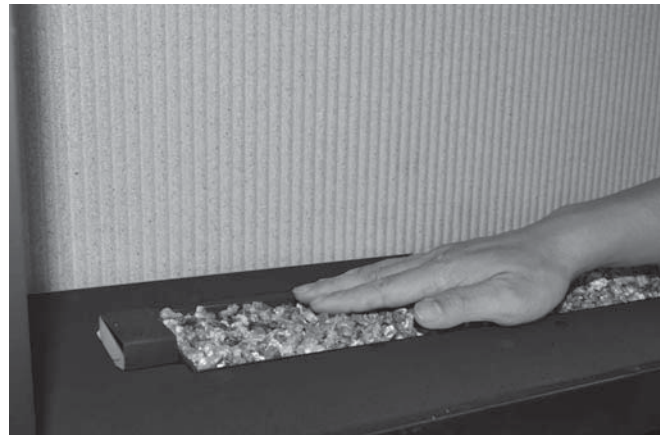
Installed platform



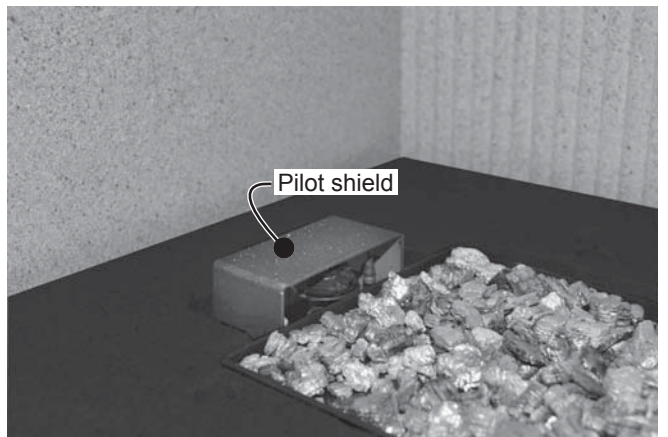
Top view—platform

2. Fill a small container with the equivalent of approximately 3 cups (750 ml) of vermiculite from the bag supplied.

3. Carefully spread the vermiculite on the surface of burner patting it gently with your hand to form a single layer to the approximate level of the top of the flange at the edge of the burner. Do not pour too much to avoid blocking the burner ports.



NOTE: Ensure the area within the pilot shield is clear of vermiculite.



Installation

Logs and rocks

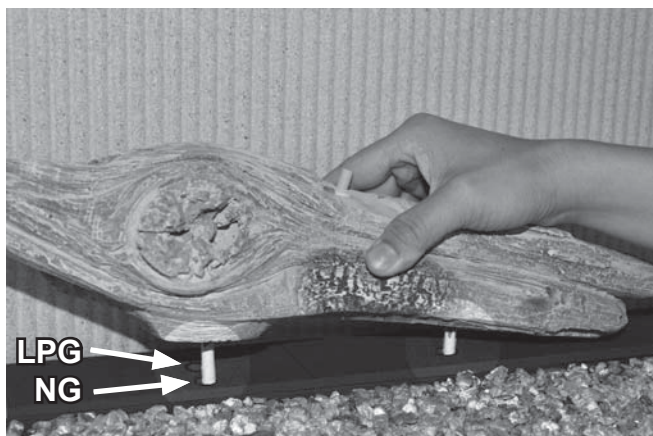
Each log has pegs to help you locate them on the platform. Install the logs as shown below.

1. Place the rear log in the center of the firebox at the rear.

NOTE: There are two holes for the left peg of this log.

Place the log's left peg in the front hole for natural gas (NG) fire.

Place the log's left peg in the rear hole for propane gas (LPG) fires.



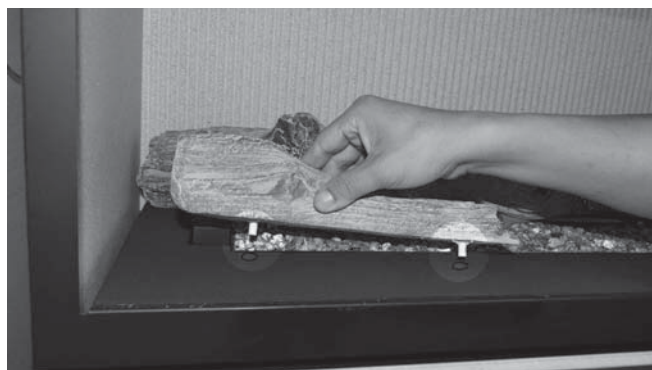
2. Place the rear left log as indicated.



3. Place the rear right log as indicated.



4. Place the front left log as indicated.



5. Place one end of the cross log on the rear center log as indicated and rest its other end on the platform in front of the burner.



Logs installed

Installation

6. Some vermiculite may be added outside the burner on the platform if desired.
7. Place the rocks on the platform as shown below. You can also place one or two rocks on the vermiculite as shown.

⚠ WARNING
CHOKING HAZARD! Ensure that the fireplace area is clear of vermiculite particles as these could be ingested by small children. Vacuum area after installation.



Driftwood Kit installed

Install Decorative Glass Murano 1510DGM

Material required

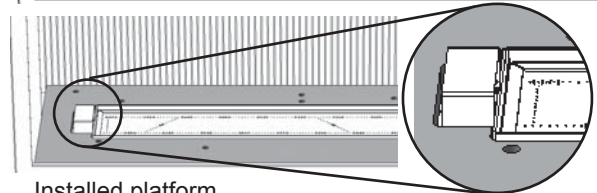
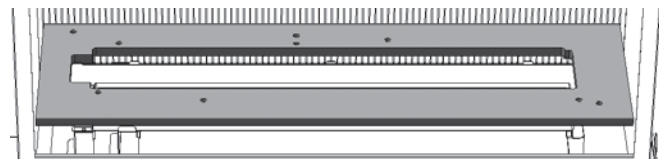
- Steel platform (supplied with appliance)
- Small container to distribute fireglass (not included)
- Decorative Glass Murano Glass kit, which contains:
 - ◇ 1 bag of blue azura fireglass
 - ◇ 1 bag of black fireglass
 - ◇ 1 glass platform

IMPORTANT: Approved for use only with the fireglass provided with your Valor fireplace or the tempered crushed fireglass brands *American Fireglass™* or *firegear*. The use of any other fireglass products may void your fireplace warranty.

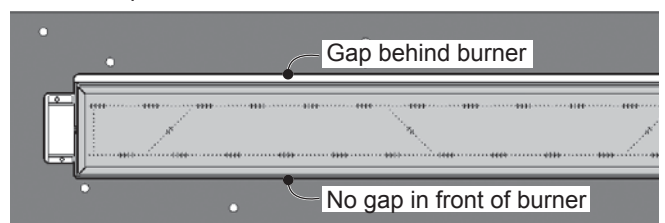
Installation

Carefully unpack the kit.

1. Install the steel platform around the burner as indicated. The openings in the platform should be underneath. The edge of the burner protrudes above the platform. Push the platform as far back as possible to maximize the air gap behind the burner.

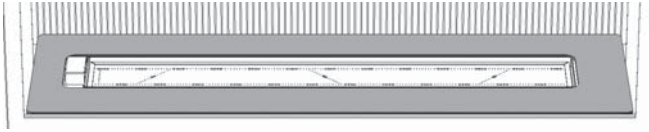


Installed platform



Top view—platform

2. Install the glass plate on the platform, the textured side underneath and the smooth side on top. The plate is flush with the edge of the burner. Like for the steel platform underneath, push the glass platform as far back as possible to maximize the air gap behind the burner.

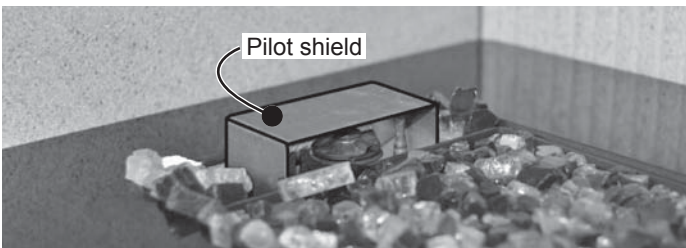


Installed glass plate

3. Mix the black and blue fireglass together.
4. Fill a small container with approximately 3 cups (750 ml) of mixed fireglass.
5. Carefully spread the fireglass on the surface of burner patting it gently with your hand to form a single layer to the approximate level of the top edge of the flange around the burner. Do not pour too much to avoid blocking the burner ports.



6. Some fireglass may be added on the platform to cover the edge of the burner and in the space in front and behind the pilot shield.
NOTE: Ensure the area *within* the pilot shield is clear of fireglass.



⚠ WARNING
CHOKING HAZARD! Ensure that the fireplace area is clear of fireglass particles as these could be ingested by small children. Vacuum area after installation.

Install Decorative Glass Set 1500DGS

Material required

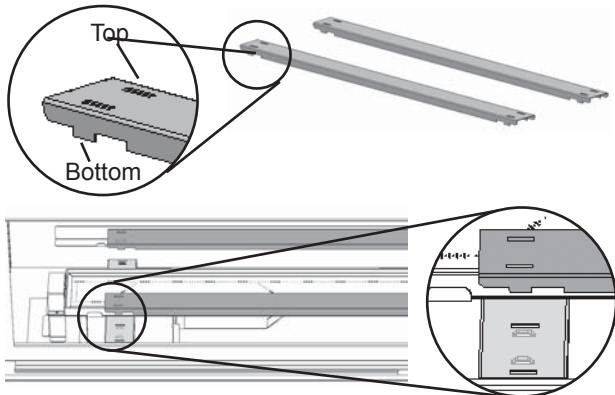
- Middle platform brackets (supplied with set)
- Small container to distribute fireglass (not included)
- Decorative Glass Set, which contains:
 - ◊ 3 bags of crushed glass
 - ◊ 1 metal tray for glass

IMPORTANT: Approved for use only with the fireglass provided with your Valor fireplace or the fireglass brands *American Fireglass™* or *firegear*. The use of any other fireglass products may void your fireplace warranty.

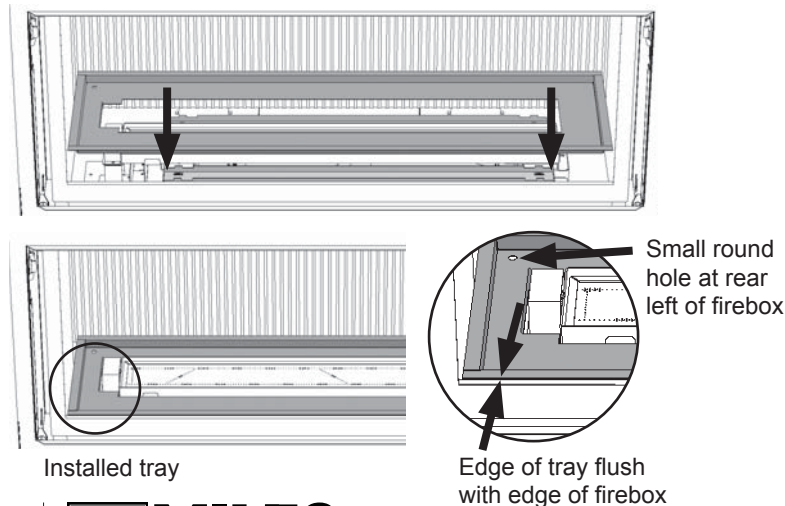
Installation

Carefully unpack the kit.

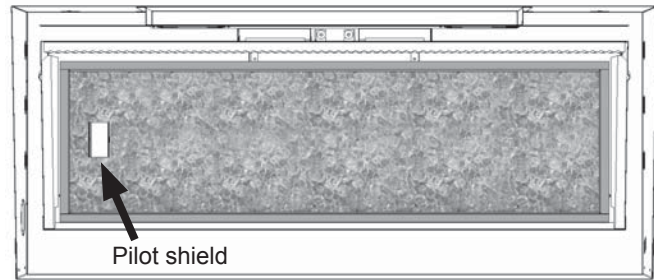
1. Install both platform brackets in front of and behind the burner, with the tabs downward fitting the bracket tabs into the burner support's slots as indicated.



2. Install the metal tray on top of the brackets as indicated. The tray, when installed properly, is flush with the front edge of the firebox opening. As well, the small round hole in the tray should be at the rear left when facing the firebox.

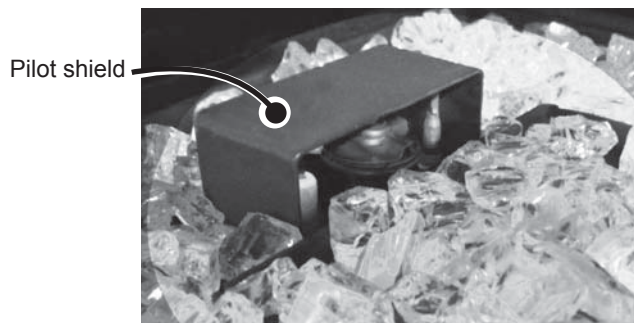


3. Carefully spread the fireglass in the tray and on the burner. Do not overfill the burner to avoid blocking the burner ports. Ideally, one layer of fireglass on the burner is sufficient.



Fireglass installed—top view

NOTE: Ensure the area around the pilot shield is not piled too high with fireglass and also ensure the area **within** the pilot shield is clear of fireglass.



⚠ WARNING

CHOKING HAZARD! Ensure that the fireplace area is clear of fireglass particles as these could be ingested by small children. Vacuum area after installation.

Installation

Install Rocks & Shale Set 1514RSS

Material required

- Black steel platform (supplied with appliance)
- Small container to distribute shale (not supplied)
- Rock & Shale Set, which contains:
 - ◊ 1/2lb-bag of 3/4" grey shale
 - ◊ 1/2lb-bag of 3/4" black shale
 - ◊ 5 twigs
 - ◊ 29 rocks

Installation

Platform

Carefully unpack the kit.

Install the steel platform around the burner as indicated. The openings in the platform should be underneath. Push the platform as far back as possible to maximize the air gap behind the burner.

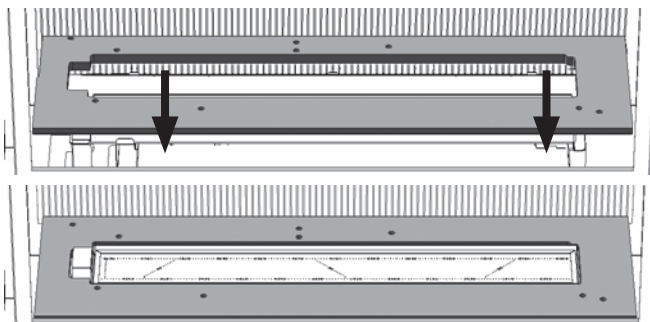
Rocks, Shale & Twigs

1. Place three rocks on the burner, one at each end and one in the middle as indicated. The rocks should not sit on top of the burner ports but can overhang slightly.

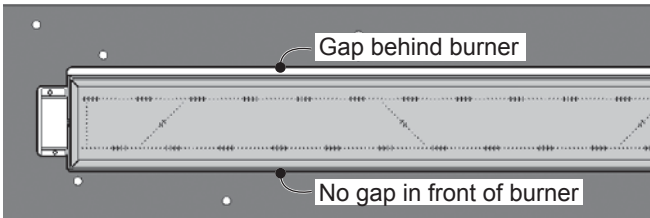
Note: Although these rocks can be installed after the shale is distributed, it is recommended to install them first to obtain a better flame display.

IMPORTANT: Use only the ceramic rocks, twigs and shale provided with your Valor fireplace. The use of any other types of rocks, twigs or shale may void your fireplace warranty.

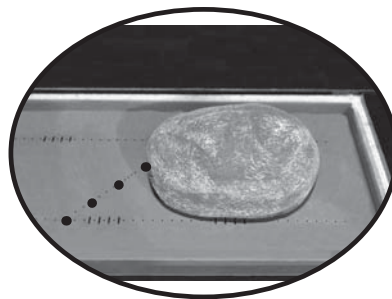
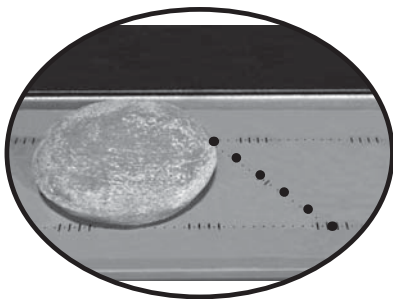
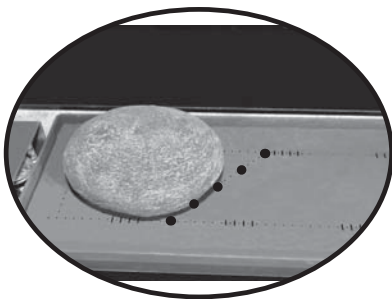
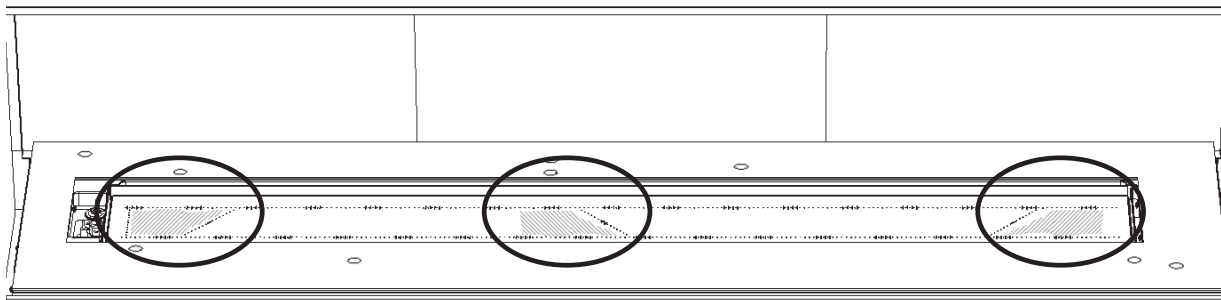
⚠ WARNING
CHOKING HAZARD! Ensure that the fireplace area is clear of shale pieces as these could be ingested by small children. Vacuum area after installation.



Installed platform



Top view—platform



Installation

2. Mix the black and grey shale pieces and spread them in one layer thick on top of the burner around the three rocks. **Do not overfill!**

3. Install the rocks around the shale bed according to the image shown below.

Note: Some of the rocks may overhang slightly over the burner edge.

4. Add the twigs to the rocks placing them as shown.

Note: The position of the twigs are specific to obtain the best flame pattern.

Note: The acceptable variations are only for rocks installed on the black platform outside of the shale bed or pilot shield. **Do not put any rock on the pilot shield! Do not put more rocks on the shale bed than what is shown below!**

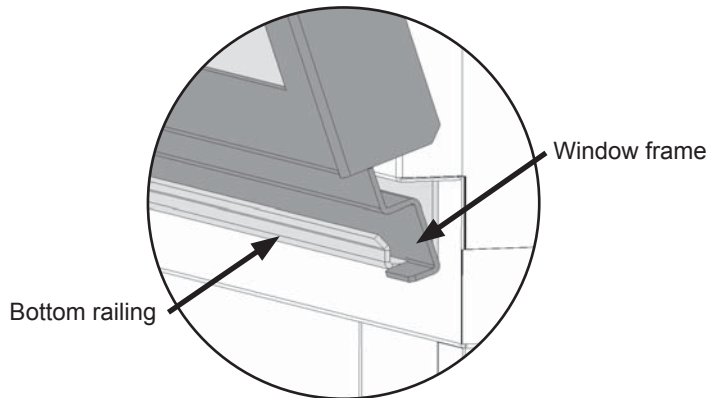


Rocks & shale fuel bed installed

Installation

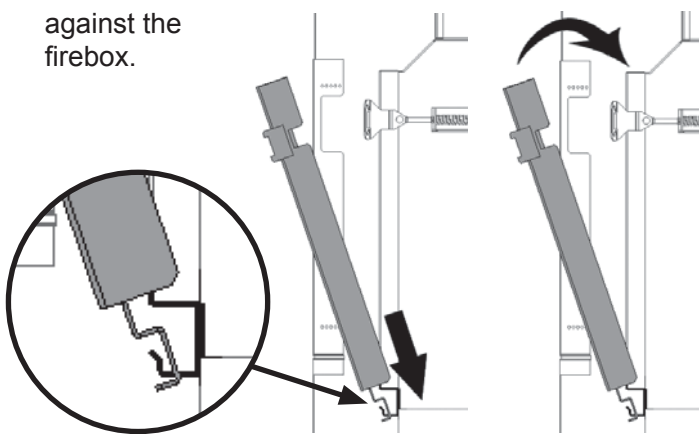
Refit Window

1. To refit the window, place it in its bottom railing.
Ensure there is no glass or vermiculite particles in the bottom railing.

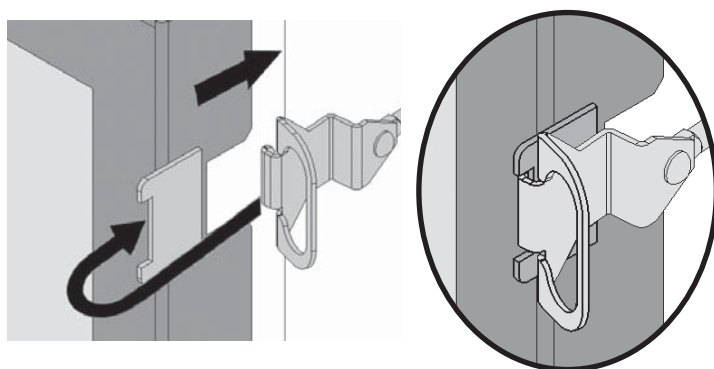


2. Push the top of the window frame against the firebox.

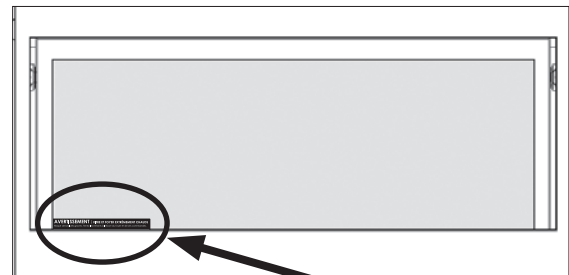
Section Views



3. While you hold it, pull the side levers back into the window brackets on each side.



4. Apply light hand pressure against the window frame sides to bed-in the window seal.
5. If the Hot Glass Warning plate has been removed from the front lower corner of the window, reinstall it by sliding it between the glass and the frame as indicated.



! WARNING: EXTREMELY HOT GLASS AND FIREPLACE
Risk of severe burns. Keep Children away from fireplace & controls.
Risque de brûlures graves. Tenir les enfants à l'écart du foyer et des commandes.
AVERTISSEMENT : VITRE ET FOYER EXTREMEMENT CHAUDS



Hot Glass Warning Plate

! DANGER

To ensure a safe operation, verify that the levers are hooked properly to the window tabs; then, pull out the top of the window and release it to insure the springs return it. Also, double-check that the bottom of the window frame is correctly installed in its the bottom railing.

Failure to install window correctly can damage components, cause overheating resulting in dangerous conditions. Damage caused by incorrect window installation is not covered by the Valor warranty.

Install Wall Switch Kit (recommended)

CAUTION

DO NOT PUT BATTERIES IN THE REMOTE CONTROL RECEIVER OR THE BATTERY BOX until the wires are connected to the burner control unit as short-circuit could result in the destruction of the electrical components.

The wall switch kit is provided with this appliance. It is connected to the receiver in the fireplace. The receiver is located on the left side of the appliance, left of the control valve behind the appliance's front panel. The battery box is located on the right hand side of the appliance under the firebox.

1. Decide where the switch is to be installed on the wall. Install an electrical outlet box or mud ring as required (not supplied) to house the switch controls.
2. Thread the switch wire through an access hole in the appliance.

CAUTION

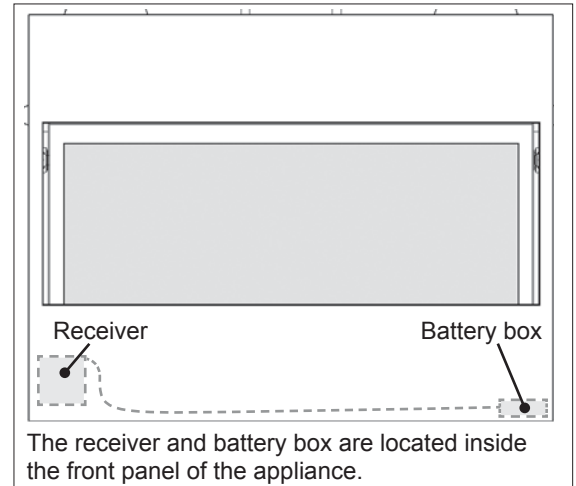
Do not run the switch wire over the top of the firebox. Route the wire so it does not contact the firebox.

3. Pull out the receiver and the battery boxes. **Remove the batteries from the receiver or battery box if they contain any.** You can remove the ignition wire to improve access to the receiver.

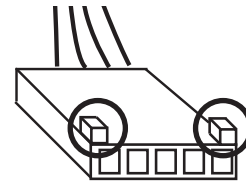
CAUTION

DO NOT USE a screwdriver or other metallic object to remove the batteries from the battery box! This could cause a short circuit to the receiver.

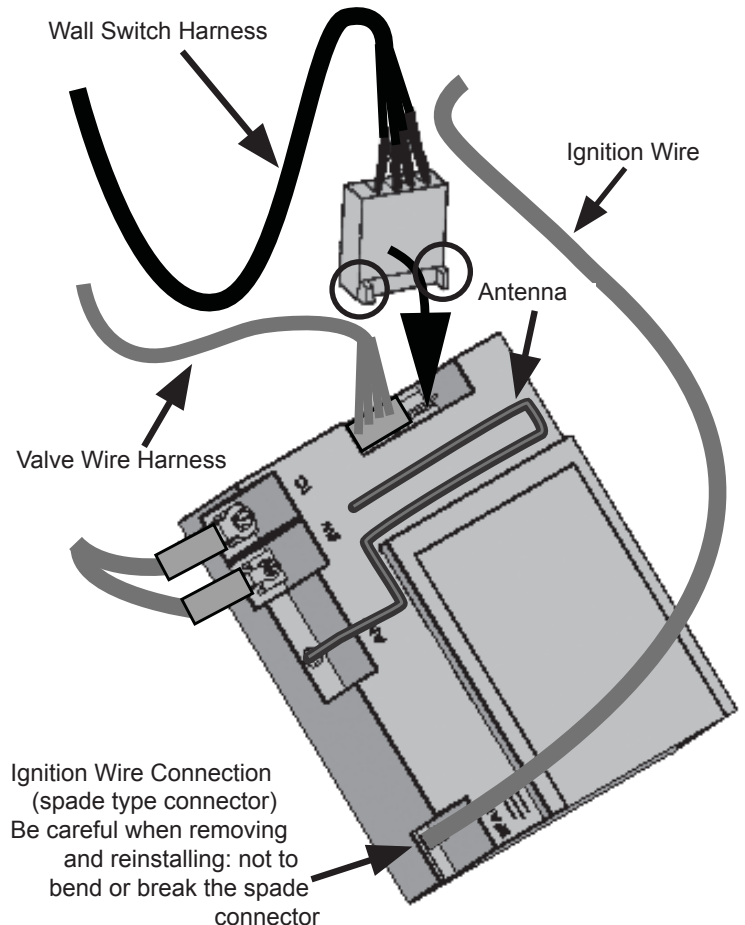
4. Take the switch wire and plug it into the receiver's connection slot as indicated (the other slot should already be fitted with the valve's wire harness connector). See diagrams below. **IMPORTANT: The connection can only be done one way. Do not force it or damage the pins!**
5. On the outside of the fireplace, run the switch wire into the outlet box. Use insulated type staples to secure the wiring to framing.
6. Plug the wire into the switch plate and to the outlet box.
7. Reconnect the ignition wire to the receiver if it was previously removed. **IMPORTANT: Make sure the ignition wire DOES NOT TOUCH the receiver's antenna.**



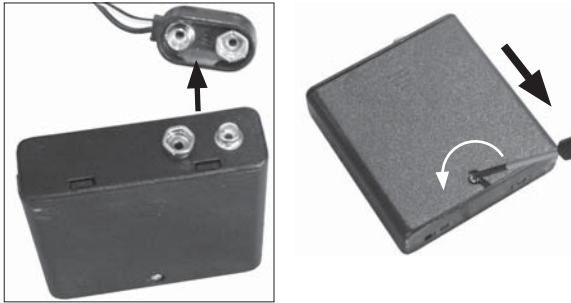
IMPORTANT: The connection can only be done one way.



Do not force it or damage the pins on the receiver box!

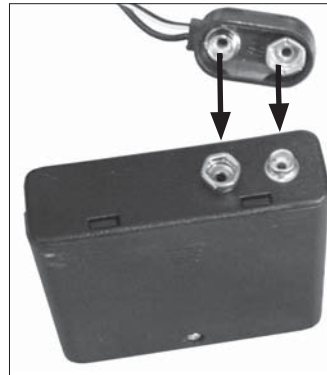


8. Disconnect the wire from the battery box.
9. Remove the cover of the battery box (1 screw).



10. Insert four AA **alkaline** batteries in the battery box, refit the cover and secure with the screw.
Note: Do not put batteries in the receiver, only in the battery box.

11. Reconnect the battery box and place it back in its position to the right at the bottom of the appliance case.




12. Test the operation of the wall switch—see page 16.
13. Fix the wall cover plate to the outlet box.
14. Replace the receiver in its position and as well as the antenna if deployed.

CAUTION

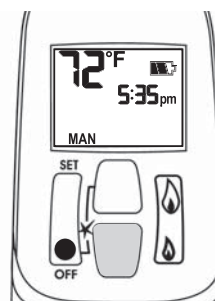
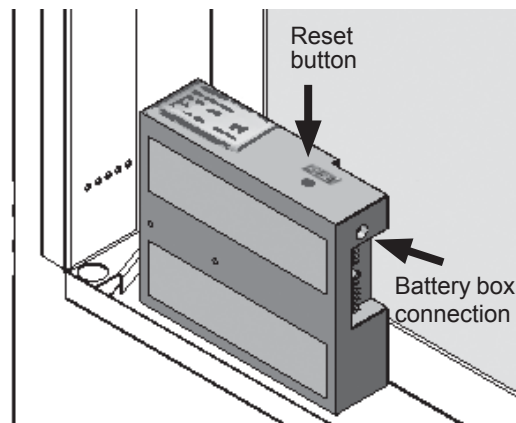
To avoid short-circuit to the receiver, position the **antenna** so that it **DOES NOT TOUCH the ignition wire.**

Set-up Remote Control

The receiver and the handset of the remote control system must be initially synchronized before the first use.

1. Insert one 9 V alkaline battery in the handset.
2. Locate the Reset button on the top side of the receiver.
3. With a sharp object, press and hold the receiver's reset button until you hear one short and one long beeps. Release the reset button after the second beep.
4. Within the subsequent 20 seconds, press the (small flame button ()) on the remote handset until you hear two short beeps confirming the synchronization is set.

This is a one time setting only and is not required when changing the batteries in the remote receiver. The remote control system is now ready to use.



Installation

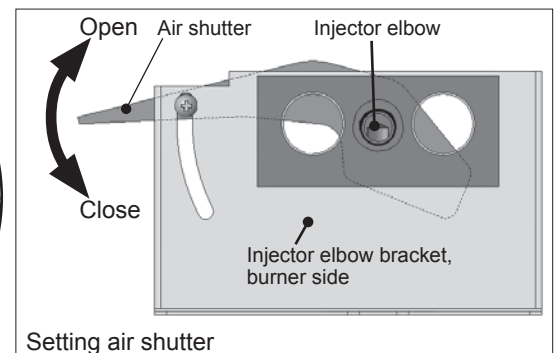
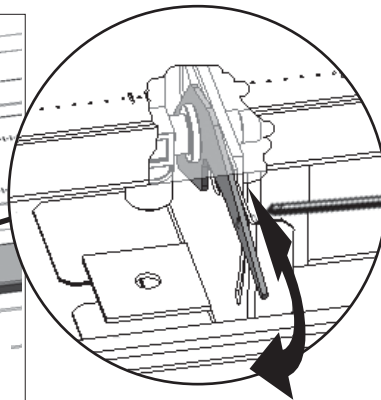
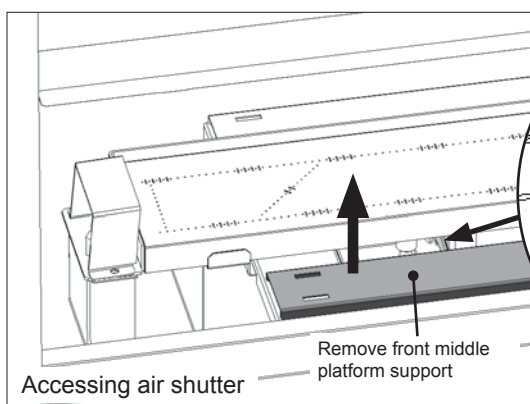
Check Operation

Turn the fireplace flame up and down using the remote control to confirm that the full range of inputs is achieved—see the remote control operation instructions on pages 11–15.

Set Aeration

Light the fire and allow the unit to warm up for 10–15 minutes to evaluate the flame picture. The burner is equipped with an adjustable shutter to control primary aeration (NG only). The shutter is factory-set to an aeration gap which will give optimum performance for the vast majority of installations.

Air Shutter



In a few unusual installations, the flame picture may be improved by adjusting the aeration. The need for adjustment should be determined only by operating the appliance with the fuel bed and window installed.

Increasing aeration will cause the flames to appear more transparent and blue showing more ceramic effects glow.

Decreasing aeration will cause the flames to appear more yellow or orange showing less ceramic effects glow.

Too little aeration may result in black carbon forming and dropping into the firebox.

To access the air shutter, remove the front middle platform as indicated. The air shutter is located under the burner as shown in the illustrations.

Install Trim and Barrier Screen

Install the trim chosen by the customer for their fireplace. Install as well the barrier screen which is provided with the trim.

Show the customer how to remove the barrier screen to access the controls.

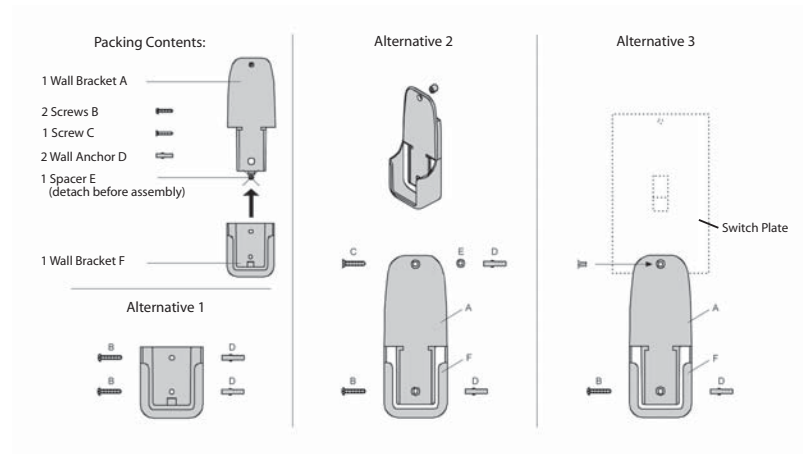
Follow the instructions provided with the trim and leave those instructions behind for the customer's further reference.

Install Remote Control Handset Wall Holder

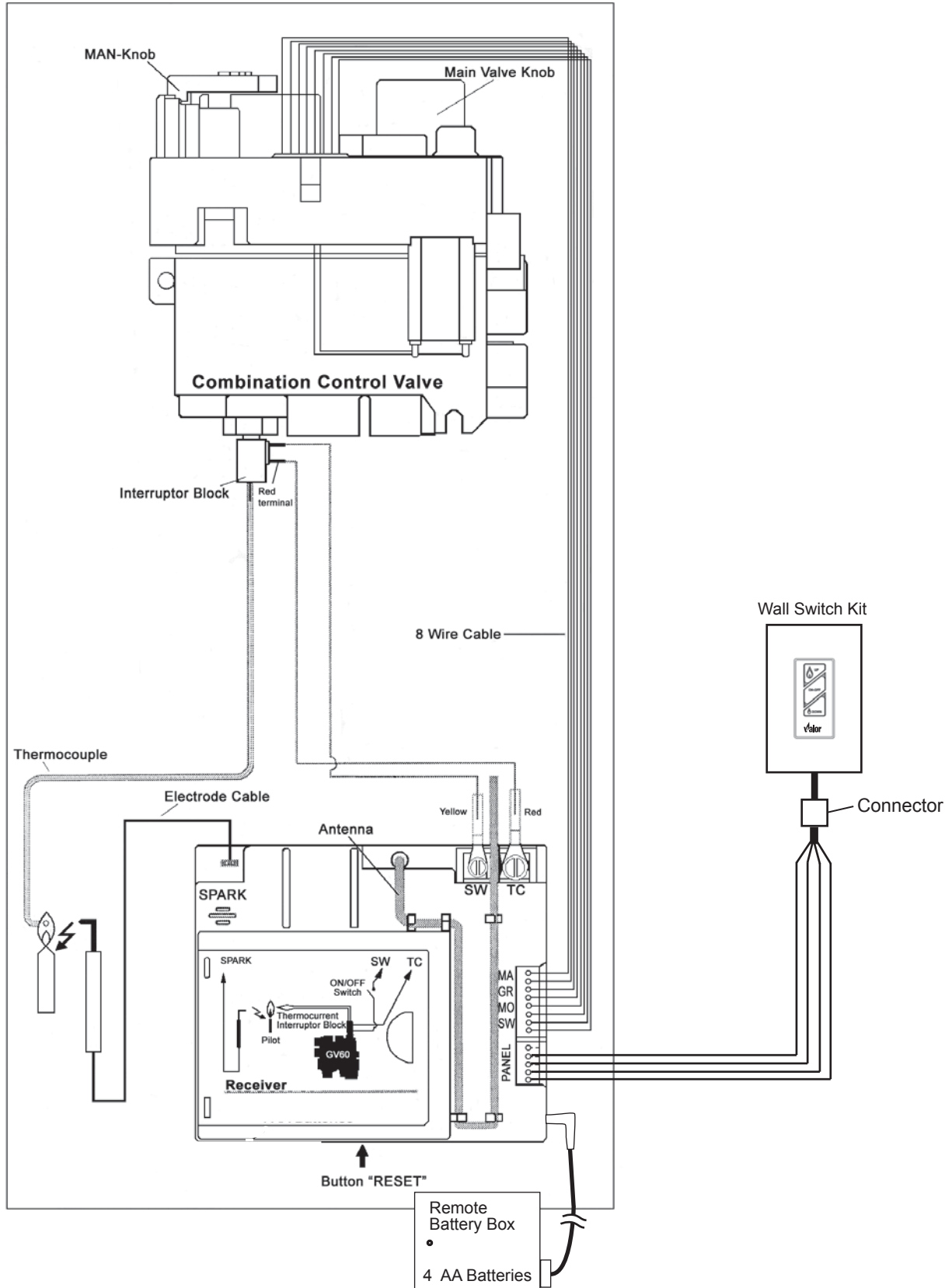
The remote control kit for this fireplace comes complete with a wall-mounted holder. This holder is not required in all installations but is provided as an optional feature for those customers who wish to mount the remote handset to the wall.

To install the holder to the wall, find a convenient location and use the hardware provided with the kit. See the diagram below for required hardware and configurations. Note that the holder can be installed at the base of a light switch plate.

IMPORTANT. The location of the remote control handset is important to assure proper temperature regulation. To obtain a constant temperature, we recommend that the handset should be between 3 and 15 feet away from the appliance **but not directly above it**. We also advise that the handset should be located away from any other heat source and not in direct sunlight as this may affect the temperature sensor located in the remote handset.





Wiring Diagram



GV60 Wiring Diagram

Approved Venting Components

**QUALIFIED
INSTALLER**

Approved Direct Vent Suppliers for Valor Models 1100, 1150, 1200⁵, 1500, 1600⁵ and 1700⁶											
  Venting Parts Description		Venting Parts Code / availability by Manufacturer							BDM		
		DURA-VENT	SELKIRK	ICC EXCEL DIRECT	SECURE VENT	RLH INDUSTRIES	AMERIVENT	MILES INDUSTRIES			
Termination Caps	Horizontal	Standard Co-axial	46DVA-HC	4DT-HC	TM-4HT	—	—	4DHC round	658DVK2	940160	
		Deluxe Co-axial	—	—	TM-4DHT	—	—	4DHCS square	—	940160	
		High Wind Co-axial	—	—	—	SV4CHC	—	—	—	—	
	Vertical	Standard Co-axial	46DVA-VC	4DT-VC	TM-4VT	—	HSDV4658-1313	4DVC	—	940264	
			—	—	—	—		4DH-1313		940364	
			—	—	—	—		—		940206LP	
		High Wind Co-axial	46DVA-VCH	—	—	SV4CGV	—	—	—	—	
		Extended Co-axial	46DVA-VCE	—	—	—	—	—	—	—	
		Co-linear	—	—	—	3PDVCV	HS-C33U-99	HCL-99-33	559CLT	940033B	
	—	—	—	—	HS-C33F-1313	HCL-913-33	940034B				
—	—	—	—	—	HCL-1313-33	940033HWS					
Snorkel, 14" Rise	46DVA-SNK14	4DT-ST14	TM-4ST14	—	—	—	4D14S	—	94040614		
Snorkel, 36" Rise	46DVA-SNK36	4DT-ST36	TM-4ST36	—	—	—	4D36S	—	94040636		
Vent Adapters / Couplers	Universal Adapter 3" Flex Coupler	2150	—	TM-CFAA3	—	—	—	—	95090390		
	Co-linear Flex Connector	46DVA-ADF	—	—	—	—	—	—	—		
	Co-axial-to-Co-linear Adapter	46DVA-GCL ⁶	—	TM-4CAA ⁶	—	—	4DCAB33 ⁶	1156CLA ⁵	940106433 ⁶		
	Co-linear-to-Co-axial Adapter	46DVA-GK	—	TM-4CTA	—	—	4DCAT33	—	—		
Aluminum Flexible Liner	3" or 4" diameter		NOTE: 2-ply liner approved to CAN/ULC S635 suitable for venting gas appliances. As manufactured by Z-Flex, Flexmasters or others.								
			2280 Series	AF3-35L	—	—	—	—	—	952703	
Adjustable Pipe Length 4" x 6-5/8"	4" to 10"	Galvanized	—	4DT-ADJ	—	—	—	4D7A or 4D7AB (3" to 5")	—	94610608 (4" to 8-1/2")	
		Black	—	4DT-ADJ(B)	—	—	—	—	—	952704	
	1-1/2" to 6"	Galvanized	—	—	—	—	SV4LA	—	4D12A or 4D12AB (3" to 10")	—	94610616 (4" to 16")
		Black	—	—	—	—	SV4LBA	—	—	—	
	1-1/2" to 12"	Galvanized	—	—	TC-4DLT	SV4LA12	—	—	4D16A or 4D16AB (3" to 14")	—	—
		Black	—	—	TC-4DLTB	SV4LBA12	—	—	—	—	
	1-1/2" to 24"	Galvanized	—	—	—	SV4LA24	—	—	4D26A or 4D26AB (3" to 24")	—	—
		Black	—	—	—	SV4LBA24	—	—	—	—	
DV 45° Elbows	Galvanized	46DVA-E45	—	TE-4DE45	—	—	—	4D45L	—	94620645	
	Black	46DVA-E45B	—	TE-4DE45B	SV4EBR45	—	—	4D45LB	—	94620645B	
	Galvanized Swivel	—	4DT-EL45	—	SV4E45	—	—	—	—		
	Black Swivel	—	4DT-EL45(B)	—	SV4EB45	—	—	—	—		
DV 90° Elbows	Galvanized	46DVA-E90	—	TE-4DE90	—	—	—	4D90L	—	—	
	Black	46DAV-E90B	—	TE-4DE90B	SV4EBR90	—	—	4D90LB	—	—	
	Galvanized Swivel	—	4DT-EL90	—	SV4E90	—	—	—	—	94620690	
	Black Swivel	—	4DT-EL90(B)	—	SV4EB90	—	—	—	—	94620690B	

Approved Venting Components

Venting Parts Description			Venting Parts Code / availability by Manufacturer							
			DURA-VENT	SELKIRK	ICC EXCEL DIRECT	SECURE VENT	RLH INDUSTRIES	AMERIVENT	MILES INDUSTRIES	BDM
Pipes 4" x 6 5/8" (ID x OD)	6" long	Galvanized	46DVA-06	4DT-06	TC-4DL6	SV4L6	—	—	—	94610606
		Black	46DVA-06B	4DT-06(B)	TC-4DL6B	SV4LB6	—	—	—	90410606B
	7" long	Galvanized	—	—	—	—	—	4D7	—	—
		Black	—	—	—	—	—	4D7B	—	—
	9" long	Galvanized	46DVA-09	4DT-09	—	—	—	—	—	94610609
		Black	46DVA-09B	4DT-09(B)	—	—	—	—	—	94610609B
	12" long	Galvanized	46DVA-12	4DT-12	TC-4DL1	SV4L12	—	4D12	—	94610612
		Black	46DVA-12B	4DT-12(B)	TC-4DL1B	SV4LB12	—	4D12B	—	94610612B
	18" long	Galvanized	46DVA-18	4DT-18	—	—	—	—	—	94610618
		Black	46DVA-18B	4DT-18(B)	—	—	—	—	—	94610618B
	24" long	Galvanized	46DVA-24	4DT-24	TC-4DL2	SV4L24	—	4D2	—	94610624
		Black	46DVA-24B	4DT-24(B)	TC-4DL2B	SV4LB24	—	4D2B	—	94610624B
	36" long	Galvanized	46DVA-36	4DT-36	—	SV4L36	—	4D3	—	94610636
		Black	46DVA-36B	4DT-36(B)	—	SV4LB36	—	4D3B	—	94610636B
	48" long	Galvanized	46DVA-48	4DT-48	TC-4DL4	SV4L48	—	4D4	—	94610648
		Black	46DVA-48B	4DT-48(B)	TC-4DL4B	SV4LB48	—	4D4B	—	94610648B
Flashings	Roof Flashing 0/12-6/12		46DVA-F6	4DT-AF6	TF-4FA	SV4FA	—	4DF (0/12-5/12)	—	949606012
	Roof Flashing 7/12-12/12		46DVA-F12	4DT-AF12	TF-4FB	SV4B	—	4DF12 (6/12-12/12)	—	949606712
	Flat Roof Flashing		46DVA-FF	—	TF-4F	SV4F	—	—	559FSK	949606001
	Masonry Flashing		—	—	TF-4MF	—	—	—	—	—
Various Venting System Parts	Wall Thimble		46DVA-WT	4DT-WT	TM-4WT	SV4RSM	—	4DWT	—	949064U
	Storm Collar		46DVA-SC	4DT-SC	TM-SC	SV4AC	—	4DSC	—	94960608
	Decorative Plate		46DVA-DC	4DT-CS	TM-4TR	SV4PF	—	4DFPB	—	94940612
	Cathedral Ceiling Support		46DVA-CS	4DT-CCS	—	—	—	4DRSB	—	949506KT
	Ceiling Firestop / Floor Support		46DVA-FS	4DT-FS	TM-CS	SV4BF SV4SD	—	4DFSP	—	94980612
	Attic Radiation Shield / Firestop		—	—	TM-4AS	—	—	4DAIS12 (12") 4DAIS36 (36")	—	94930620A
	Wall Strap		46DVA-WS	4DTWS	TM-WS	—	—	4DWS	—	949164
	Vinyl Siding Standoff		46DVA-VSS	4DT-VS	TM-VSS	SV4VS	—	4DHVS	—	94800615S
	Elbow Strap / Offset Support		46DVA-ES	4DT-OS	TM-OS	—	—	—	—	949264
	Terminal Guard		46DVA-WG	—	—	—	—	—	845TG	940164SHRD

- Notes:**
1. Follow instructions supplied with each manufacturer's components.
 2. Unless otherwise specified, all the parts and assemblies from the above table are to be used with 4" x 6-5/8" pipes.
 3. **Do not mix components from different vent manufacturers.**
 4. Termination caps manufactured by RLH Industries or American Metal Products are from Homestyle Chimney Collection and can be ordered in one of the following finishes: a) aluminium; b) black powder coated; c) solid copper.
 5. Miles Industries Valor Co-linear adapter 1156CLA cannot be used with models 1200 and 1600. Use only with models 1100, 1150, 1500 and 1700.
 6. Only Miles Industries Valor Co-linear adapter 1156CLA can be used with models 1700.

Warranty

If you have a problem with this unit, please contact your dealer or supplier immediately. Under no circumstances should you attempt to service the unit in any way by yourself. The warranties in paragraphs 1 and 2 are provided only to the initial owner of this unit, are not transferable and are subject to the conditions and limitations in paragraphs 3, 4 and 5. Please review the conditions and limitations carefully and strictly follow their requirements.



1. Extended Warranty Coverage

For a period of up to ten (10) years, Miles Industries Ltd., (the “Company”) or its appointed distributor will at its option pay the initial owner for the repair of, or will exchange the following parts or components which are found to be defective in material or workmanship under normal conditions of use and service:

Part or Component	Defect Covered	Maximum Warranty Period
Exterior steel casing	Corrosion	10 years
Glass	Loss of structural integrity	10 years
Cast iron parts	Corrosion	10 years
Firebox and heat exchanger	Corrosion (but not discoloration) causing loss of structural integrity	10 years

2. Two-Year Parts Warranty

In addition, for two (2) years from the date of purchase, the Company, at its option, can repair or exchange all parts and components not listed above but that are found to have a *bona fide* defect in material or workmanship under normal conditions of use.

3. Conditions and Limitations

- a) The warranty registration card must be completed by the initial owner and returned to the Company within 90 days of purchase. Alternatively, the warranty registration form may be filled out online at www.valorfireplaces.com.
- b) Installation and maintenance must be performed by an authorized and trained dealer in accordance with the Company’s installation instructions.
- c) This warranty is void where installation of the unit does not conform to all applicable codes including national and local gas appliance installation codes and building and fire codes.
- d) The owner must comply with all operating instructions.
- e) The Company is not responsible for the labor costs to remove defective parts or re-install repaired or replacement parts.
- f) The initial owner of the unit will be responsible for any shipping charges for replacement parts as well as travel time incurred by the dealer to perform the warranty work.
- g) This warranty applies to non-commercial use and service and is void if it is apparent that there is abuse, misuse, alteration, improper installation, accident or lack of maintenance to the unit.
- h) This warranty does not cover damage to the unit due to:
 - i) Improper installation, operational or environmental conditions.
 - ii) Inadequate ventilation in the area or competition for air from other household equipment or appliances.
 - iii) Chemicals, dampness, condensation, or sulphur in the fuel supply lines which exceeds industry standards.
- i) This warranty does not cover glass, log breakage or damage to the unit while in transit.
- j) The Company does not allow anyone to extend, alter or modify this warranty and assumes no responsibility for direct, indirect or consequential damages caused by the unit. State or provincial laws where the first purchaser or user resides may provide specific rights to extend this warranty and, if so, the Company’s sole obligation under this warranty is to provide labor and/or materials in accordance with those laws.

4. Discharge of Liability

After two (2) years from the date of purchase, the Company may, at its option, fully discharge all obligations under this warranty by paying to the first owner the wholesale price of any defective parts.

5. No Other Warranty

All obligations to repair this unit are defined in this warranty. Some states or provinces may specifically mandate additional warranties on the part of manufacturers, but in the absence of such specific legislation, there is no other warranty or obligation expressed or implied.

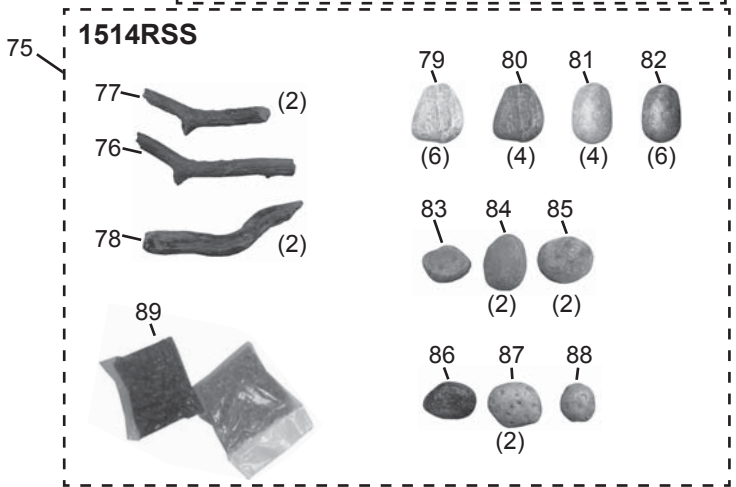
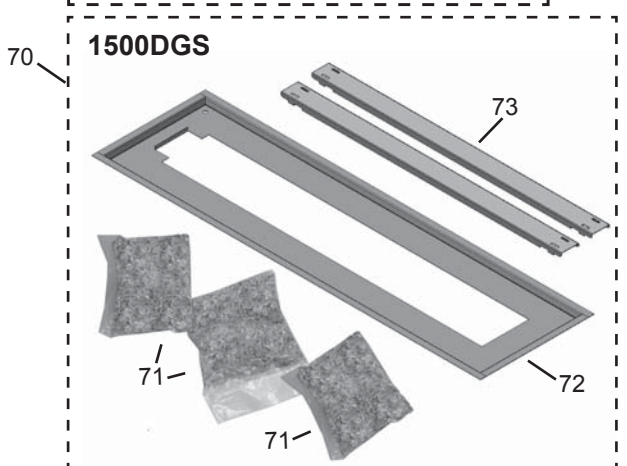
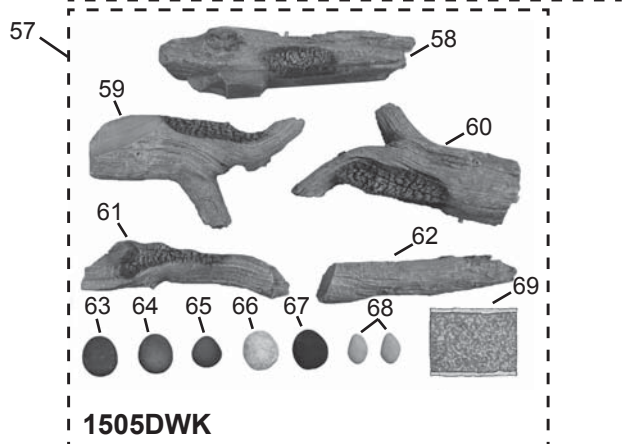
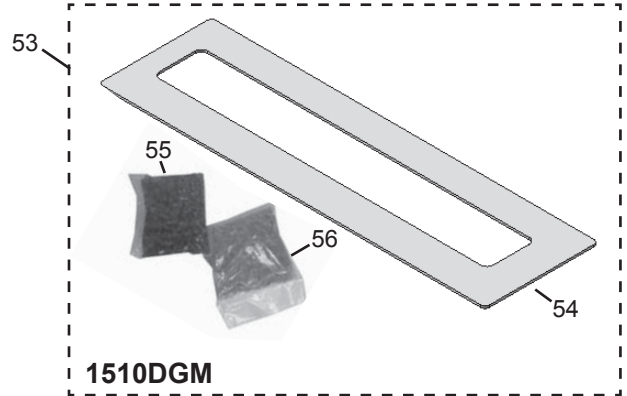
Spare Parts

Code	Description	Part Number
1	Heat shield	4003049
2	45 degrees flanged elbow	0945M
3	Elbow gasket	4002999
4	Top stand-offs (2)	4002985
5	Restrictor plate	4003017
6	Take-off cover (2)	4003046
7	LH Window latch assembly	4002770
8	RH Window latch assembly	4002766
9	Top panel support	4002963
10	Cable hole cover	4003038
11	Data plate	4003062
12	Window assembly	4002754
13	Steel platform	4004885AH
14a	Burner module assembly NG	4002871
14b	Burner module assembly LPG	4002872
15	Burner	4002900
17	Platform supports (2)	4002908
18	Pilot shield	4003018AH
19a	Pilot assembly NG	4000727
19b	Pilot assembly LPG	4000728
20	Thermocouple	4000061
21a	Pilot injector NG #51	4000735
21b	Pilot injector LPG #30	4000736
22	Pilot tube	4000732
23	Pilot hood 2-flame	4000730
24	Extended nut	4001855
25	Electrode	4001856
26	Burner location bracket	4002902
27a	Injector elbow NG 82-850	9730010
27b	Injector elbow LPG 92-300	9730035
28	Air shutter	4002907
29	Burner gasket (air shutter)	4002906
30	Gasket silicone	620C016
31	Burner module plate	4002775
32	Gaskets module plate, long (2)	3000400
33	Gaskets module plate, short (2)	3000399
34	Pilot sealing plate	4002910
35	Valve to elbow pipe assembly	4002904
36a	GV60 valve assembly NG	4003106
36b	GV60 valve assembly LPG	4003118
37	Thermocouple interrupter	4001037
38	Pipe s/s flex	4000345

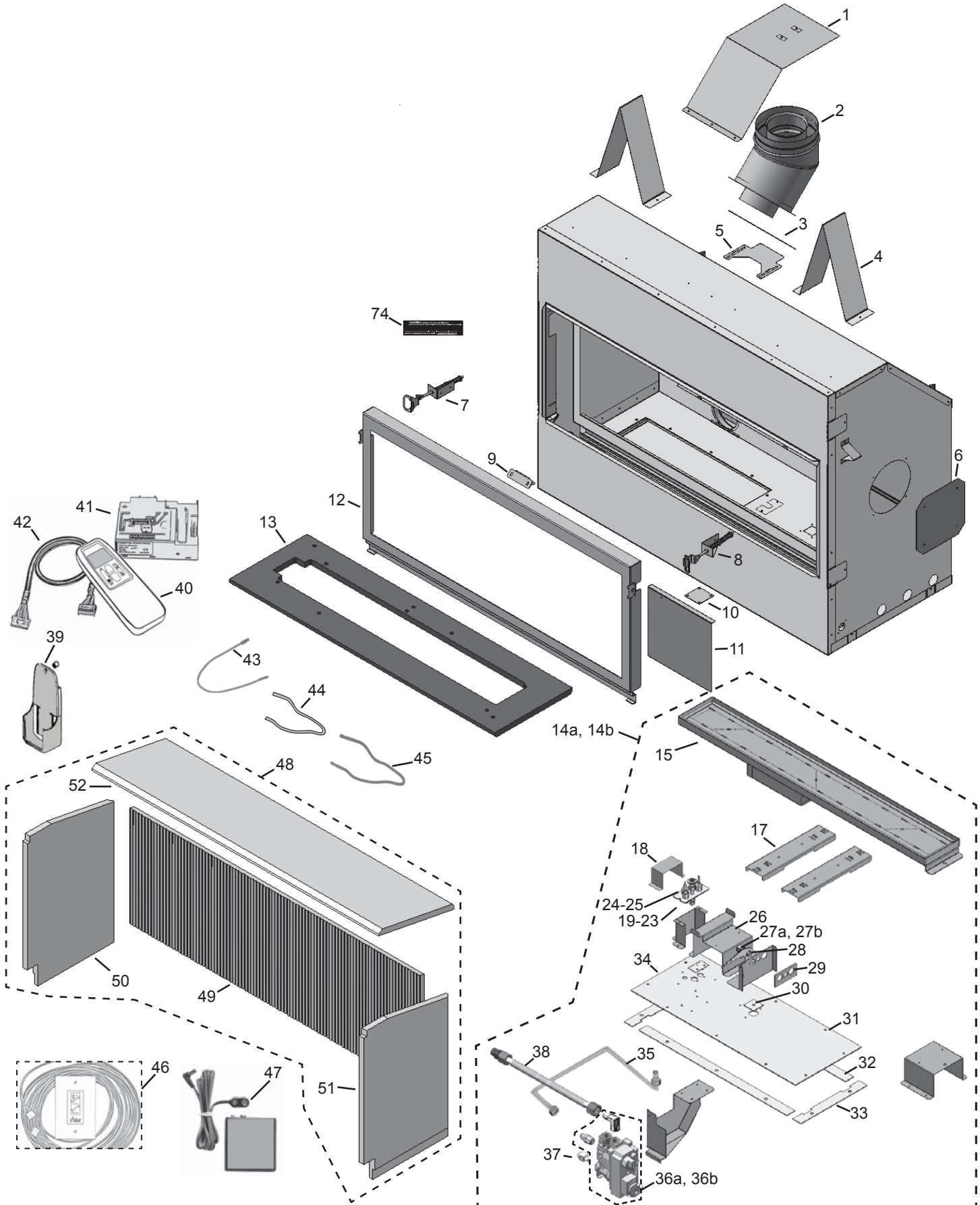
Code	Description	Part Number
39	Handset wall holder	9000008
40	Handset G6R H3T5-ZV (BJ)	4001910
41	Receiver G6R-R3AM-ZV (CP)	4001911
42	Wire harness GV60	4001187
43	Cable interrupter 500 mm	4002096
44	Ignition cable sleeve 530 mm	4002244
45	Ignition cable 500 mm	4001039
46	Wall switch kit	1265WSK
47	Battery box w/cable 1000 mm	4002249
48	Liner panels - complete set	
	Fluted Black Liners	1515FBL
	Fluted Natural Liners	1520FSL
	Reflective Glass Liners	1525RGL
49	Rear panel	
	Fluted Black	4003070
	Fluted Natural	4002949
	Glass (3)	4004652
50	LH side panel	
	Black	4003071
	Natural	4002950
	Glass	4004273
51	RH side panel	
	Black	4003072
	Natural	4002951
	Glass	4004274
52	Top panel	
	Black	4002946
	Natural	4002952
	Black (2)	4004651
53	Decorative Glass Murano	1510DGM
54	Glass panel	4002869
55	Classic 1/4" black fire glass	4002931
56	Premium 1/4" Azuria fire glass	4002932
57	Driftwood Set Kit	1505DWK
58	Rear log	4002938
59	LH end log	4002965
60	RH end log	4002966
61	LH front log	4002967
62	Center cross log	4002939
63	Brown beach pebble	4003082
64	Grey beach pebble	4003083
65	Small grey beach pebble	4003086

Spare Parts

Code	Description	Part Number
66	White beach pebble	4003084
67	Black beach pebble	4003085
68	Small beige beach pebbles (2)	4003087
69	Grade 1A vermiculite, bagged	4002940
70	Decorative Glass Set	1500DGS
71	Glacier Ice Fireglass, bagged (3)	4004521
72	Fireglass tray	4003473BY
73	Middle platform brackets (2)	4003033
74	Hot glass warning plate	4003093
75	Rocks & Shale Set	1514RSS
76	LH twig	4001827
77	LH twig - short (2)	4001827S
78	RH twig (2)	4001828
79	Grey Rock S4-A (6)	4002338
80	Dark Grey Rock S4-A (4)	4002339
81	Grey Rock S4-B (4)	4002340
82	Dark Grey Rock S4-B (6)	4002341
83	No 7 Grey 5 Matte pitted rock	4002650
84	No 9 Grey 5 Matte rock (2)	4002652
85	No 11 Grey 3 Matte rock (2)	4002654
86	No 14 Grey 9 Gloss rock	4002657
87	No 16 Warm Grey 3 Gloss pitted rock	4002659
88	No 17 Grey 5 Gloss pitted rock	4002660
89	Shale 3/4" - grey, black 0.5lb ea	4004792



Spare Parts



Thank You ...

For purchasing a Valor by Miles Industries. Your new radiant gas heater is a technical appliance that must be installed by a qualified installer.

Please fill in the information below. The information provided will be used for customer records only.



Fireplace Information

Model Number: 1500 IN or IP

Serial Number:

Date Purchase (yyyy-mm-dd):

Dealer:

Customer Information

First Name:

Last Name:

Contact Information

Email:

Mailing Address

Address:

City:

Province/State:

Postal/Zip Code:

Country:

Cut out page, fill information, and mail to Miles Industries Ltd.

Online Warranty registration at www.valorfireplaces.com



Tape Shut



Fold here



Postage
needed

Miles Industries Ltd.
190 - 2255 Dollarton Highway
North Vancouver, BC V7H 3B1
Canada

Online Warranty registration at www.valorfireplaces.com



Thank you for choosing a Valor Product