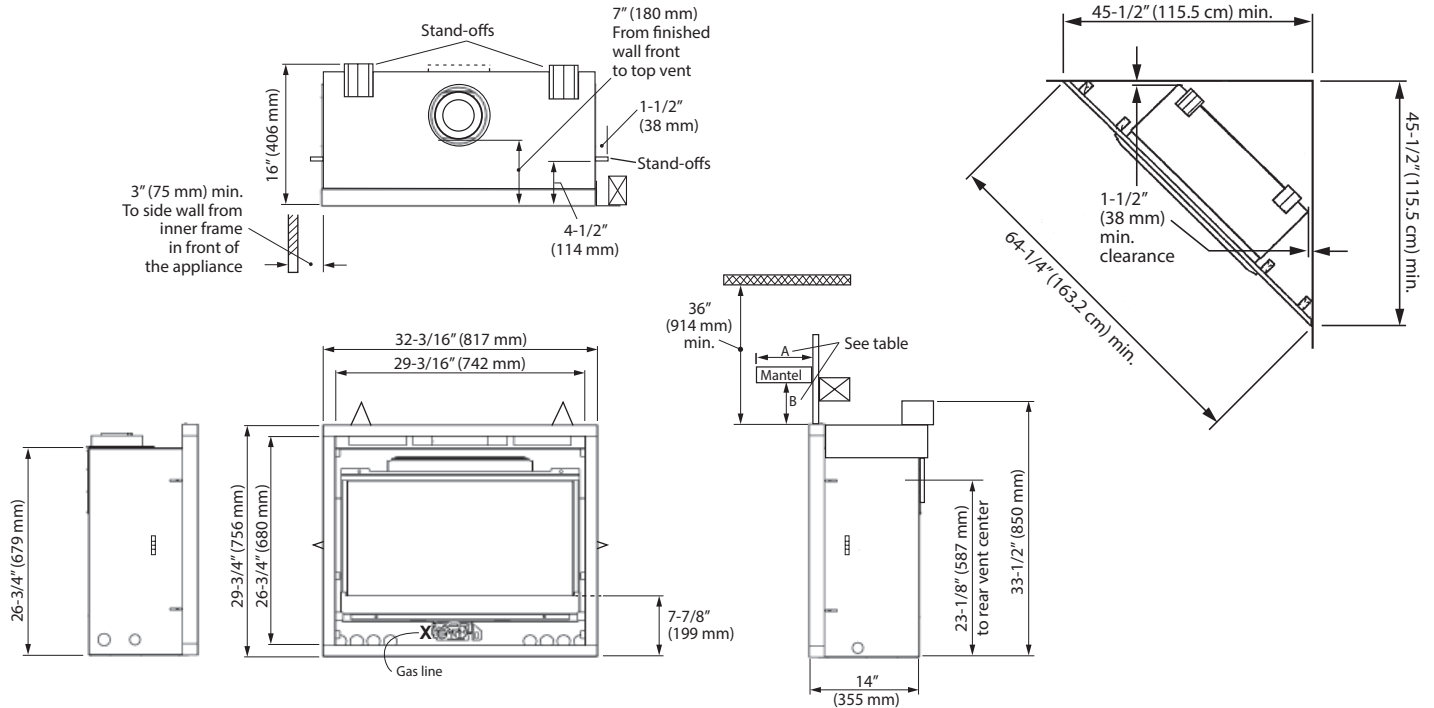


# valor<sup>®</sup> Horizon

Dec 2020

1/1

## 534J DV ZC / Dimensions & Clearances



|                      |    |    |    |       |     |     |             |
|----------------------|----|----|----|-------|-----|-----|-------------|
| Mantel depth "A"     | 1" | 2" | 3" | 4"-5" | 6"  | 7"  | 8"-12" max. |
| Mantel clearance "B" | 7" | 8" | 9" | 10"   | 11" | 12" | 14"         |

