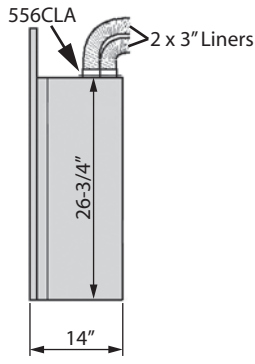
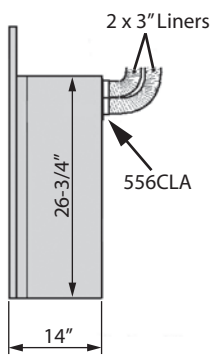
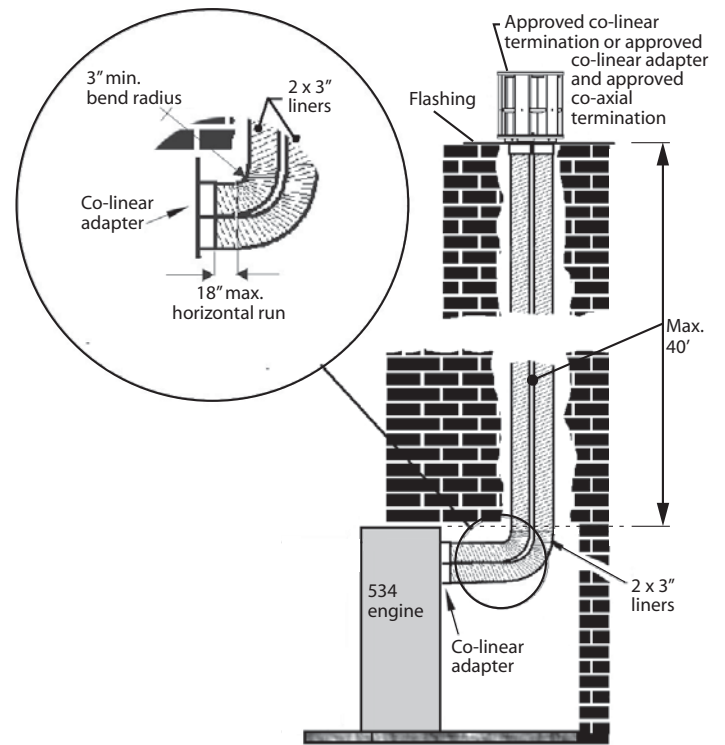
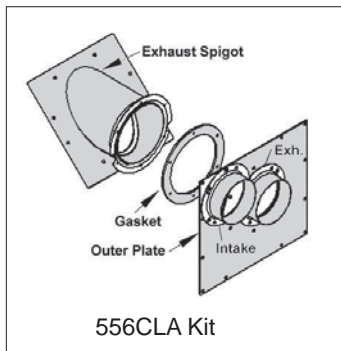


The 556 CLA Co-Linear adapter is a **field installed** kit to convert listed direct vent heaters from solid co-axial piping to flexible 3-inch, side by side, co-linear piping for installation into existing solid-fuel fireplaces and chimneys. Co-linear piping cannot be used in combustible fireplace and chimney cavities. The 556CLA may be fitted to the **Top or Rear** outlet of the 534J model heaters.

Requires 556CLA Co-Axial to Co-Linear Appliance Adapter (or, alternatively, a generic adapter), two lengths of 3-inch diameter flexible chimney liner, co-linear termination kit and flashing, and either high wind vertical vent terminal cap or a low profile vertical termination.

Note : Venting limitations and restrictors are as per those listed for co-axial venting in the heater installation manual.



Co-Linear installation into existing F/P

