

H5 and H6 Series HeatShift™ System

Planning Installation: H5–H6 with HeatShift®

Instructions for use with following **Valor Heater Models: 1100M and 1400M**

Application

HeatShift™ System™ redistributes the warm air flow away from the fireplace opening to a more desirable location using natural convection without use of a fan.

Plenums LKD1, LDK3, LDK4 or LDK9: the warm air flow is relocated to a position higher up the wall, out the sidewalls, or even to an adjacent room.

Termination Plates LDK7: the warm air flow is discharged through a gap (min. 2-1/2") between the wall above the fireplace and the ceiling. **LDK7's discharge opening must be located in the same room as the fireplace.**

The result is much cooler wall temperatures above the fireplace opening for locating televisions, artwork, etc.

The 1195CFK Circulating Fan Kit is not recommended when installing the HeatShift System.

Any kit, LDK1, LDK3, LDK4, LDK7 or LDK9 may be used with any of the model fireplaces H5 or H6 listed above.

As a further option, the warm airflow may be extracted away from the duct kit plenum (**LDK1 and LDK4 ONLY**) by connecting a 1270RBK Remote Blower Kit to the duct kit plenum.

HeatShift is compatible with the listed fireplaces only. Earlier version fireplaces will not accept HeatShift.

Note: These instructions are to be used in conjunction with the fireplace's installation instructions.

The use of HeatShift will permit lower mantel clearances to be used—see *Combustible Mantel Clearances* in this manual. These lower mantel clearances **must ONLY be used when HeatShift system is installed and the internal convection baffle has been removed.**

Approvals

The LDK1, LDK3, LDK4, LDK7 and LDK9 duct kits are CSA approved for use only with Valor Series fireplaces listed above—DO NOT use with any other models.

HeatShift system may also be used to reduce wall surface temperatures on approved outdoor installations.

5-inch diameter ducts used with this kit must be metal and meet requirements of UL-181 Class 1 Air Duct.

Flexible aluminum duct is acceptable provided it meets the UL-181 Class 1 requirements.

WARNING

All fireplaces listed above require the removal of the internal convection baffle for this system to function properly—read instructions carefully!

WARNING

DO NOT cover or place objects in front of or on top of air outlet(s). AVOID locating outlet within 7 feet above floor level as discharge temperatures are hot!

WARNING

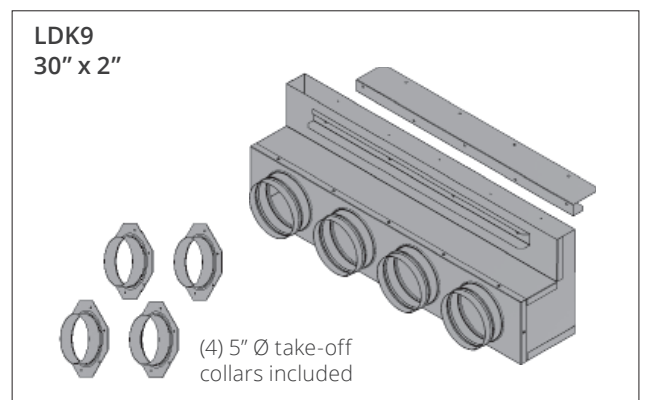
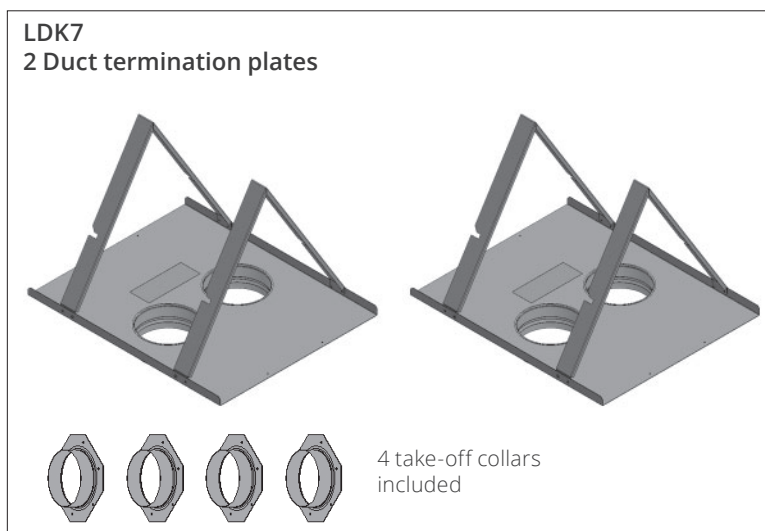
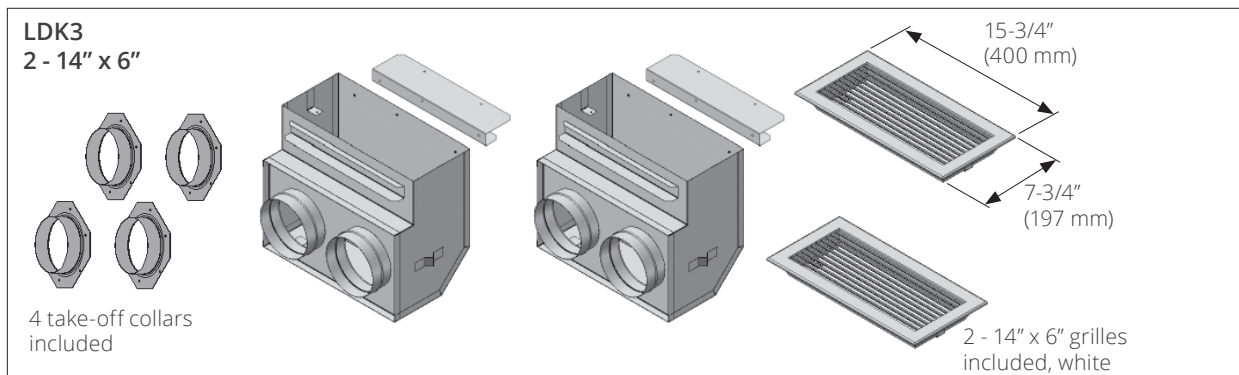
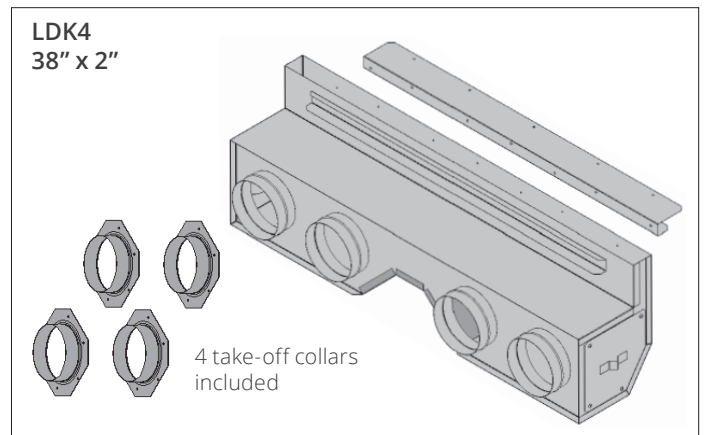
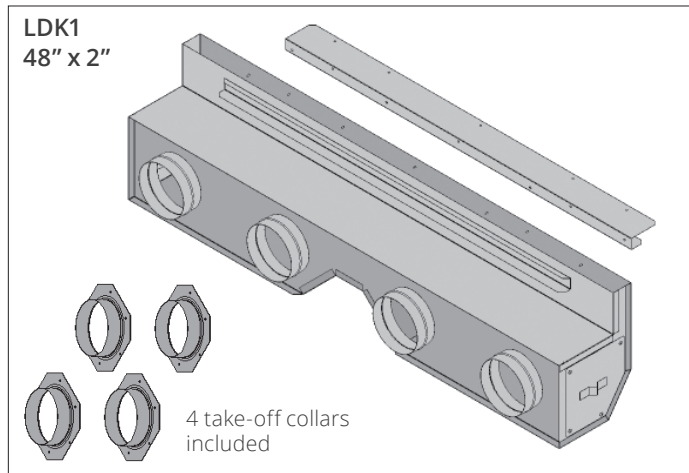
When placing discharge close to ceilings, staining or streaking may occur on light colored ceilings due to any dust, etc. in air flow; placing plenum(s) lower on the wall will help reduce the possibility of staining or streaking.

Kits

There are 5 kits to choose from:

- LDK1—48" Plenum
- LDK3—14" Plenums (2), includes grilles
- LDK4—38" Plenum
- LDK7—Duct Termination Plates (2)—for wall valance discharge ONLY
- LDK9—30" Plenum

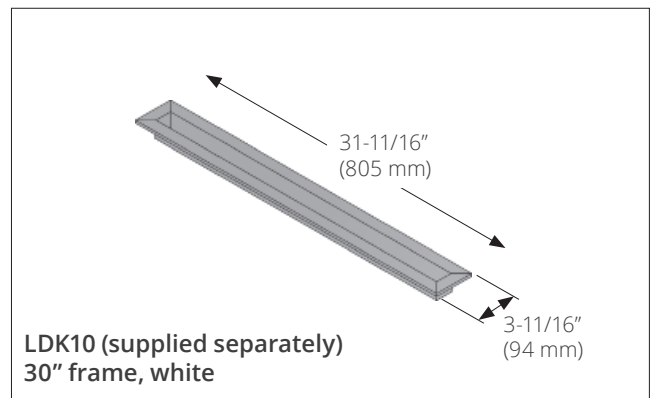
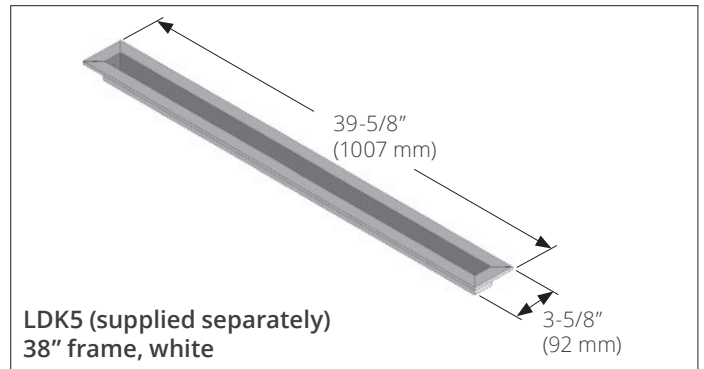
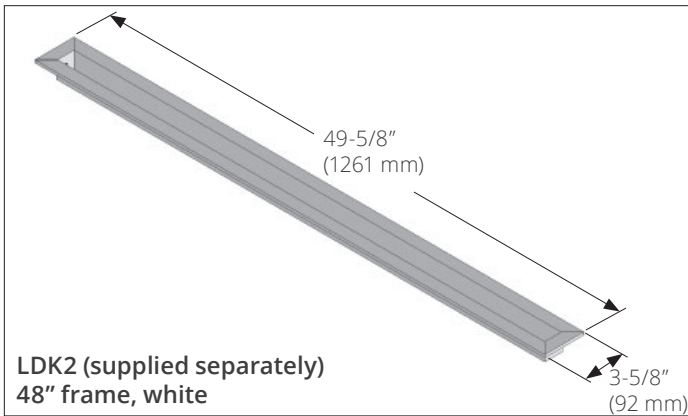
Kits Contents



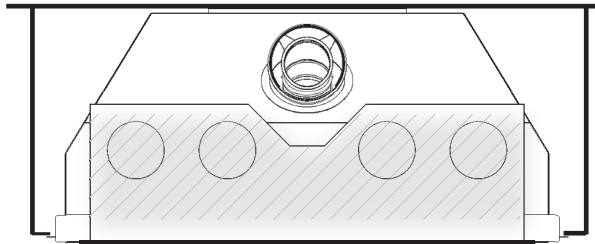
Optional accessories

- LDK2—48" Finishing Frame, to use with LDK1
- LDK5—38" Finishing Frame, to use with LDK4
- LDK6— 5" dia Aluminum 2-ply Flex Kit—
2 x 10'-0" lengths, may be cut to required length
- LDK10—30" Finishing Frame, to use with LDK9

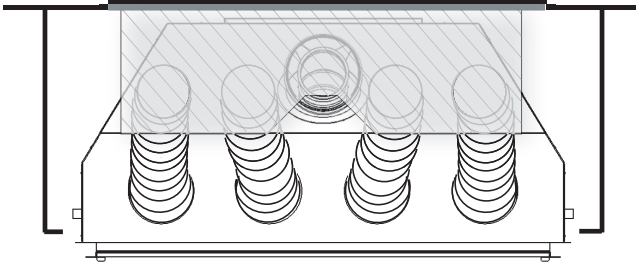
Kits Contents



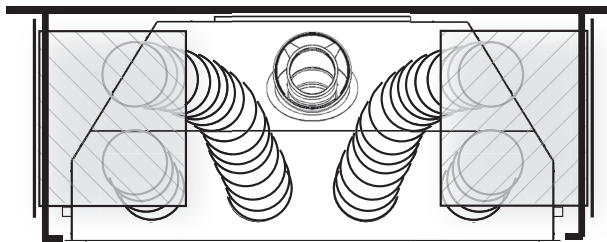
Suggested Configurations Not to scale



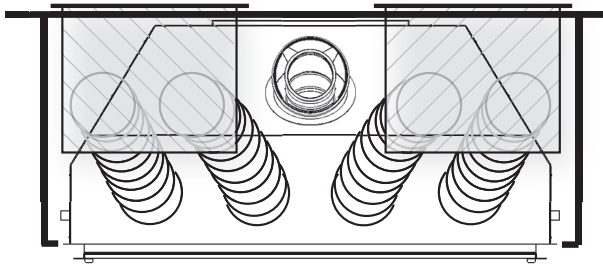
Front wall outlet using LDK1, LDK4 or LDK9



Rear wall outlet using LDK1, LDK4 or LDK9
Note: Fireplace vent may conflict with plenum. Offset vent around plenum.

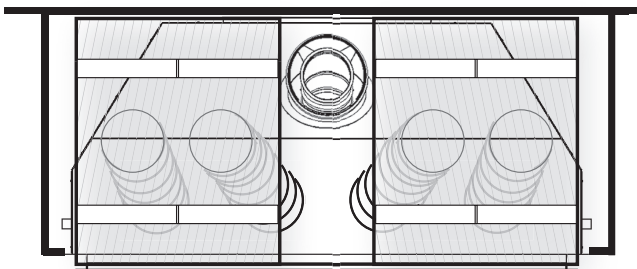


Side wall outlets using LDK3



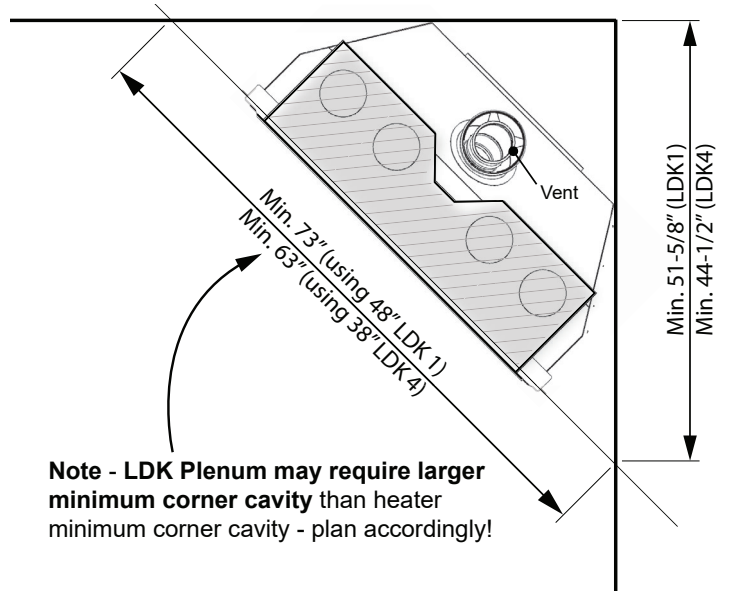
Rear wall outlets using LDK3

Note - When using LDK7, the discharge opening must be located in the same room as the fireplace



With LDK7

Corner installations



Note - LDK Plenum may require larger minimum corner cavity than heater minimum corner cavity - plan accordingly!

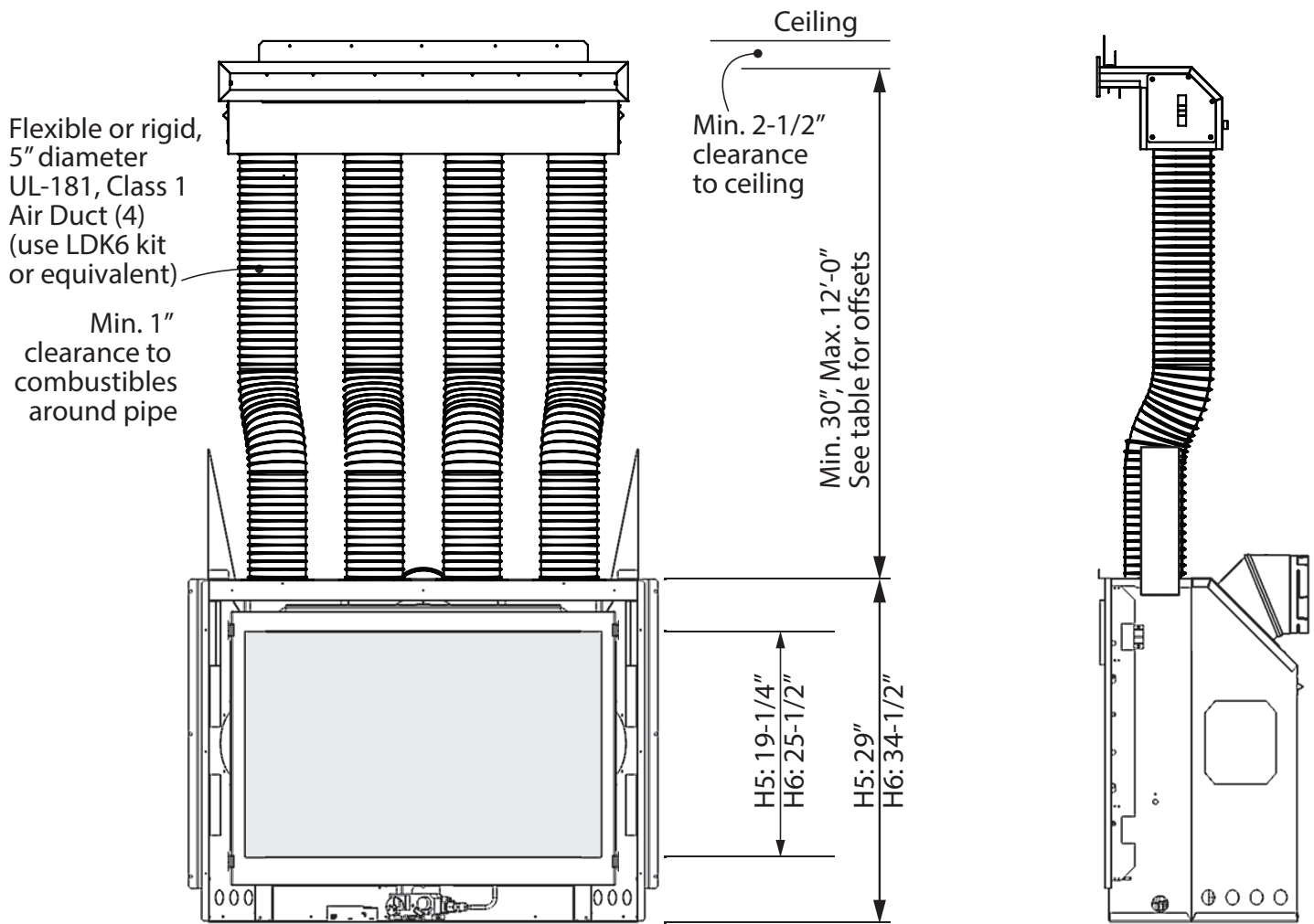
⚠ WARNING

The plenum duct kits are approved for horizontal discharge ONLY. The termination duct plates are approved for vertical upward discharge ONLY. DO NOT install plenum or termination plates in floor or ceiling. DO NOT COVER OR PLACE objects in front of or on top of air outlet(s). AVOID locating outlet within 7 feet of the floor level as discharge air temperatures are hot!

DO NOT DISCHARGE THROUGH EXTERIOR WALLS!

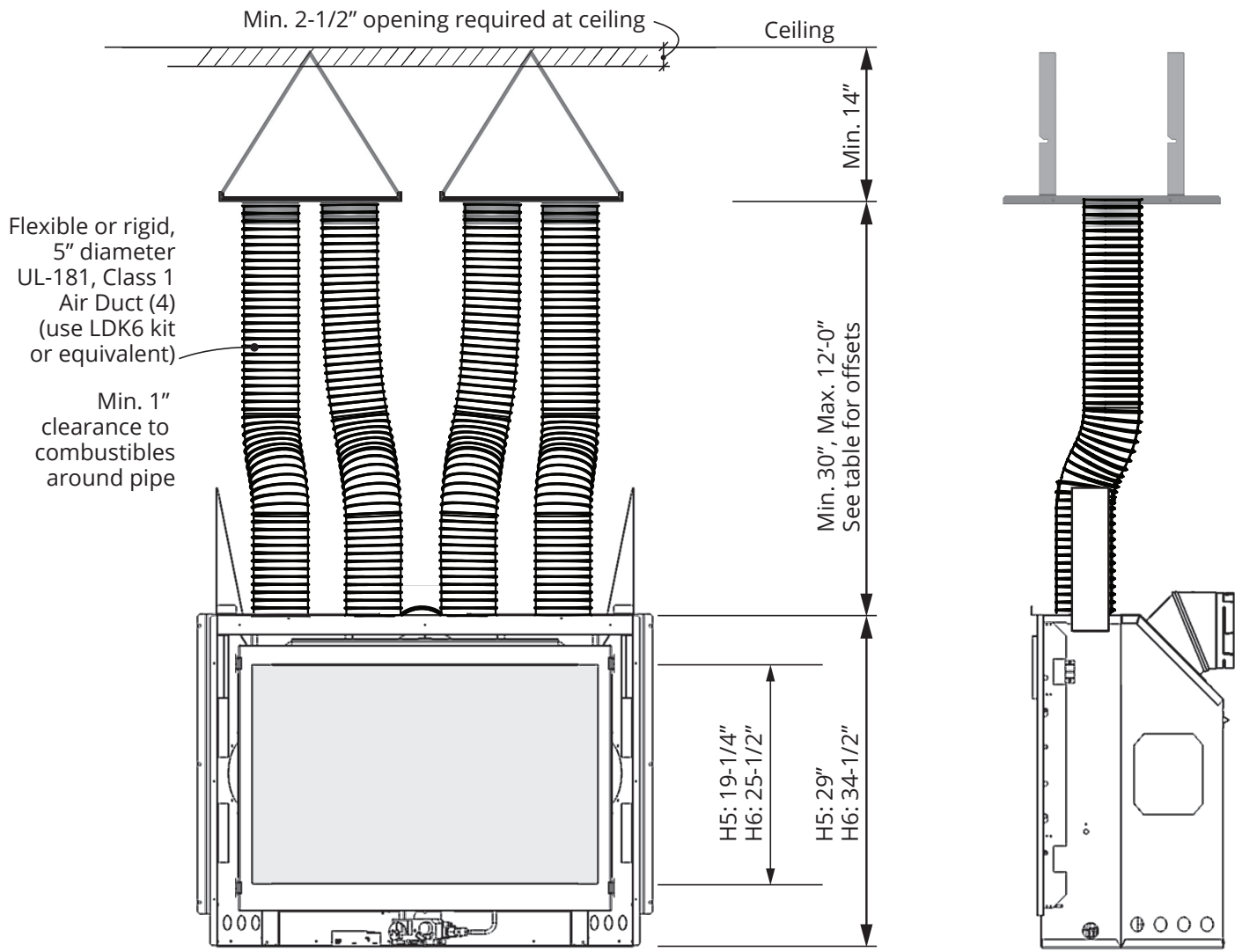
NOTE This duct kit may also be used for outdoor installations where reduced wall surface temperatures above the unit are desired. The discharge grilles must be located under the weatherproof enclosure described in the GV60CKO Outdoor Fireplace Conversion Kit instructions.

Overview (applies to LKD1, LDK3, LDK4 and LDK9 kits)



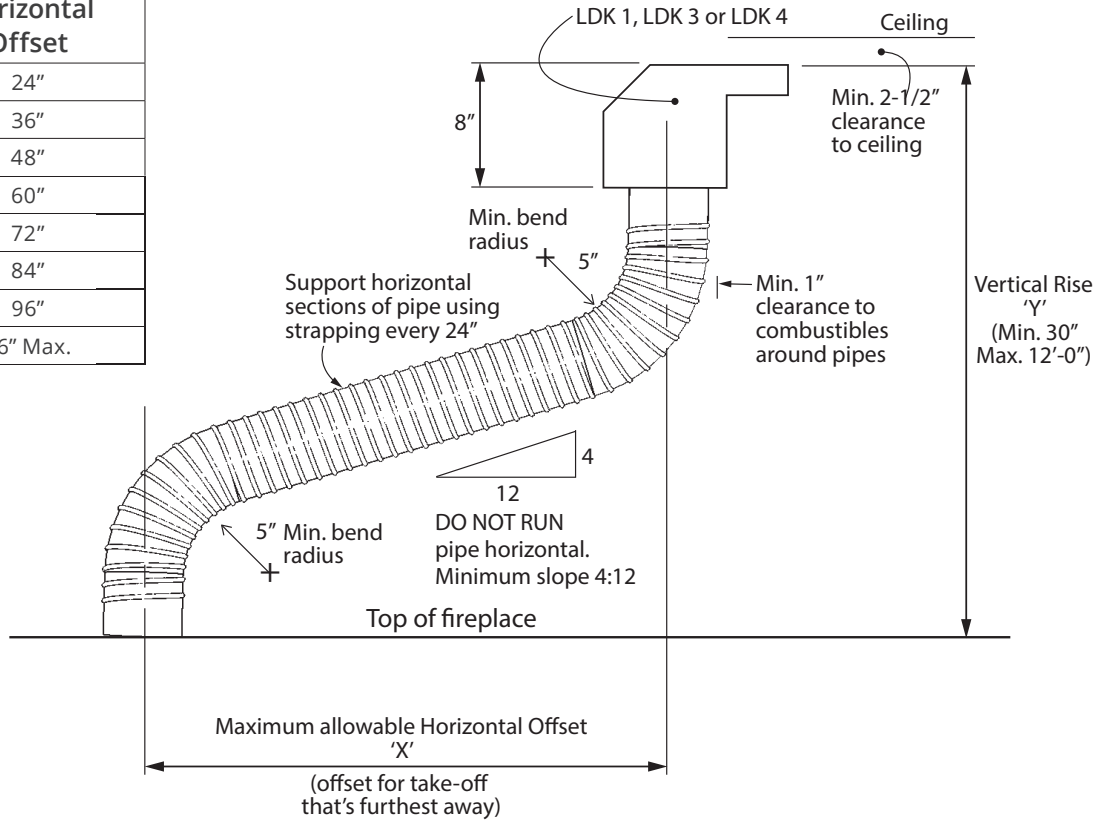
Overview (applies to LDK7)

NOTE Discharge opening must be located in the same room as fireplace when using LDK7.

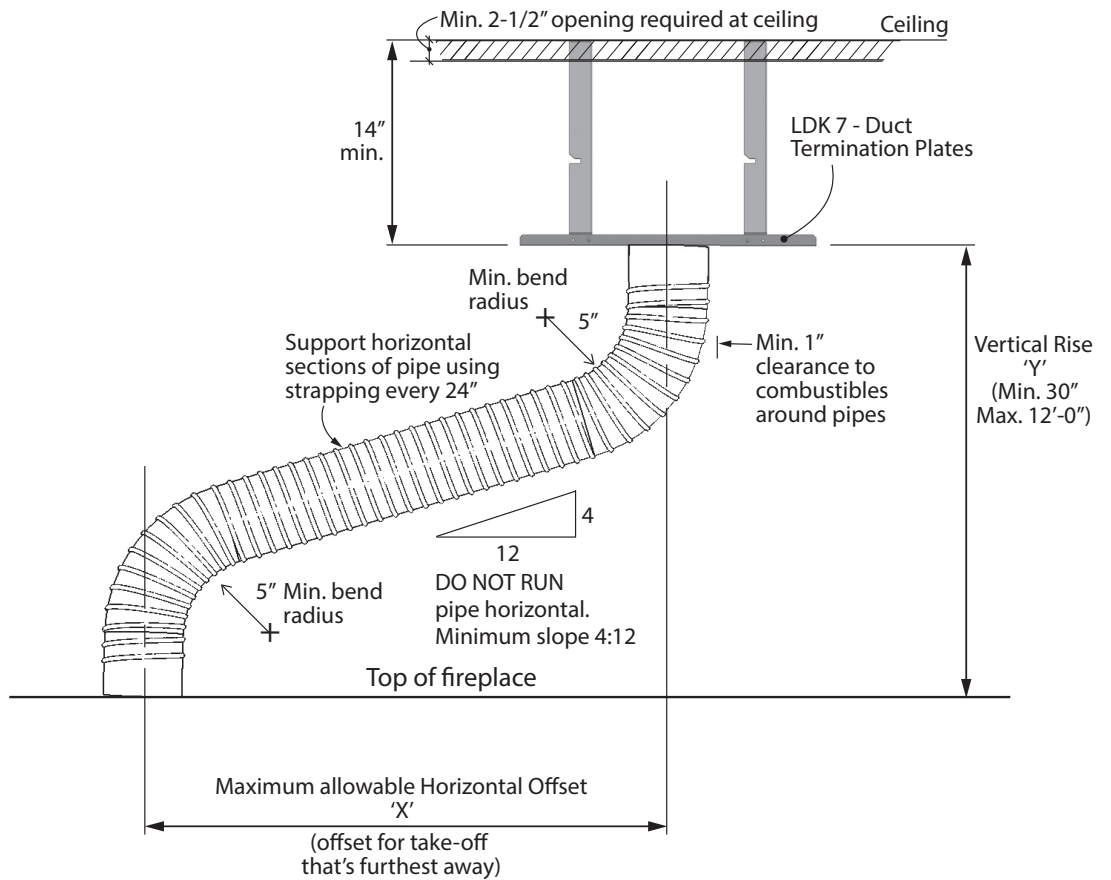


| Y Vertical Rise | X Max. Allowable Horizontal Offset |
|--------------------|---|
| 30" | 24" |
| 36" | 36" |
| 42" | 48" |
| 48" | 60" |
| 54" | 72" |
| 60" | 84" |
| 66" | 96" |
| 12'-0" | 96" Max. |

With Plenum

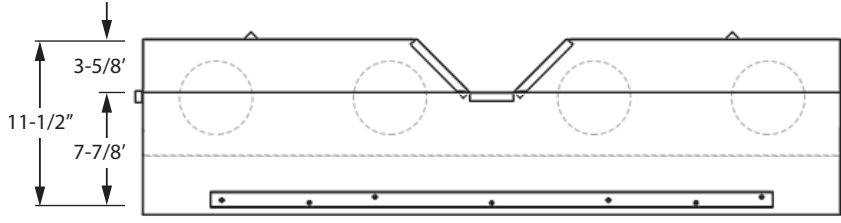


With Plates

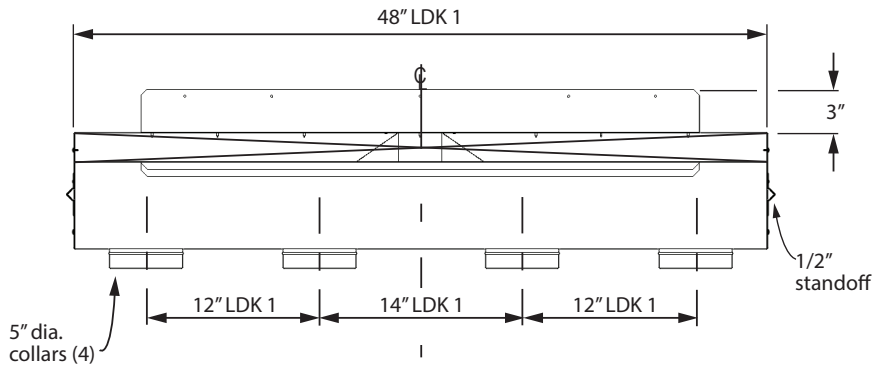


Plenum Dimensions

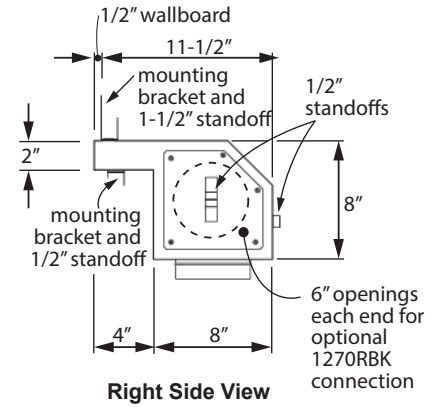
LDK 1



Top View

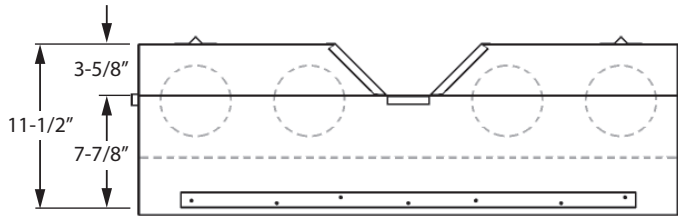


Front View

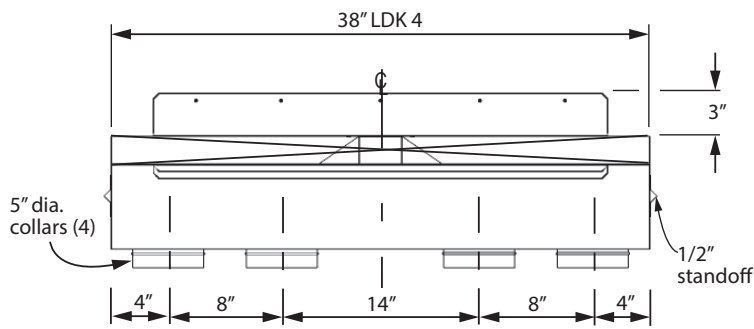


Right Side View

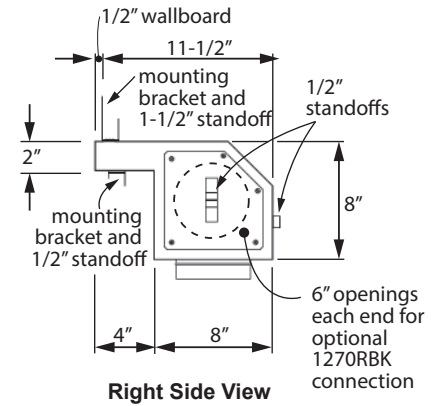
LDK 4



Top View



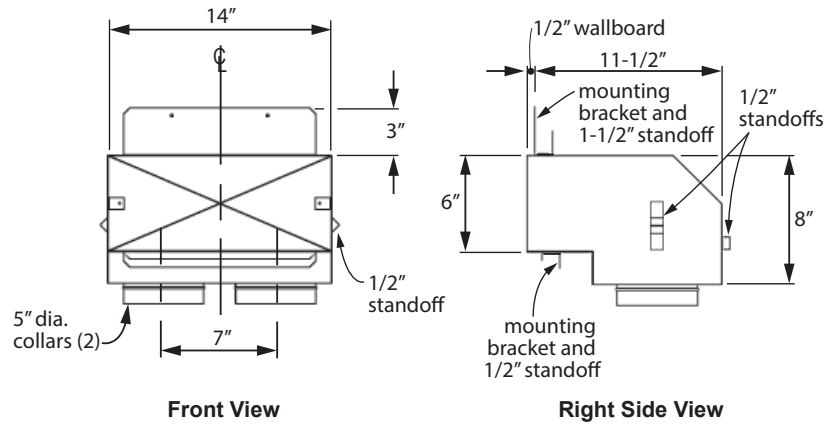
Front View



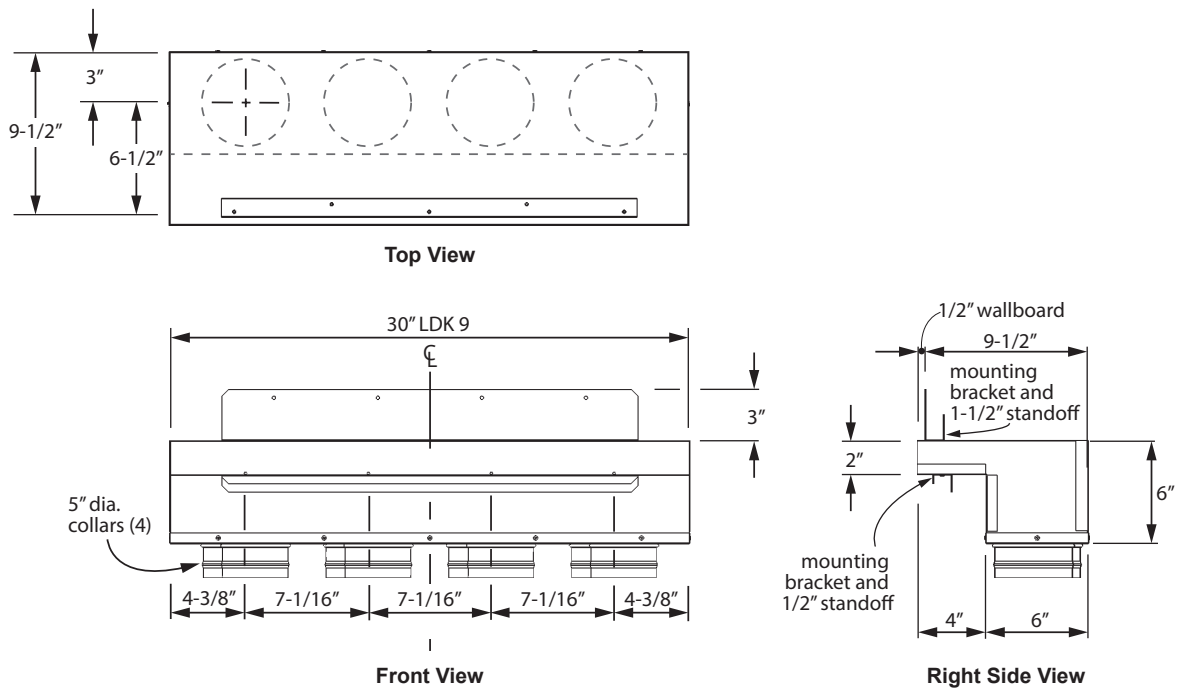
Right Side View

Plenum Dimensions (cont'd)

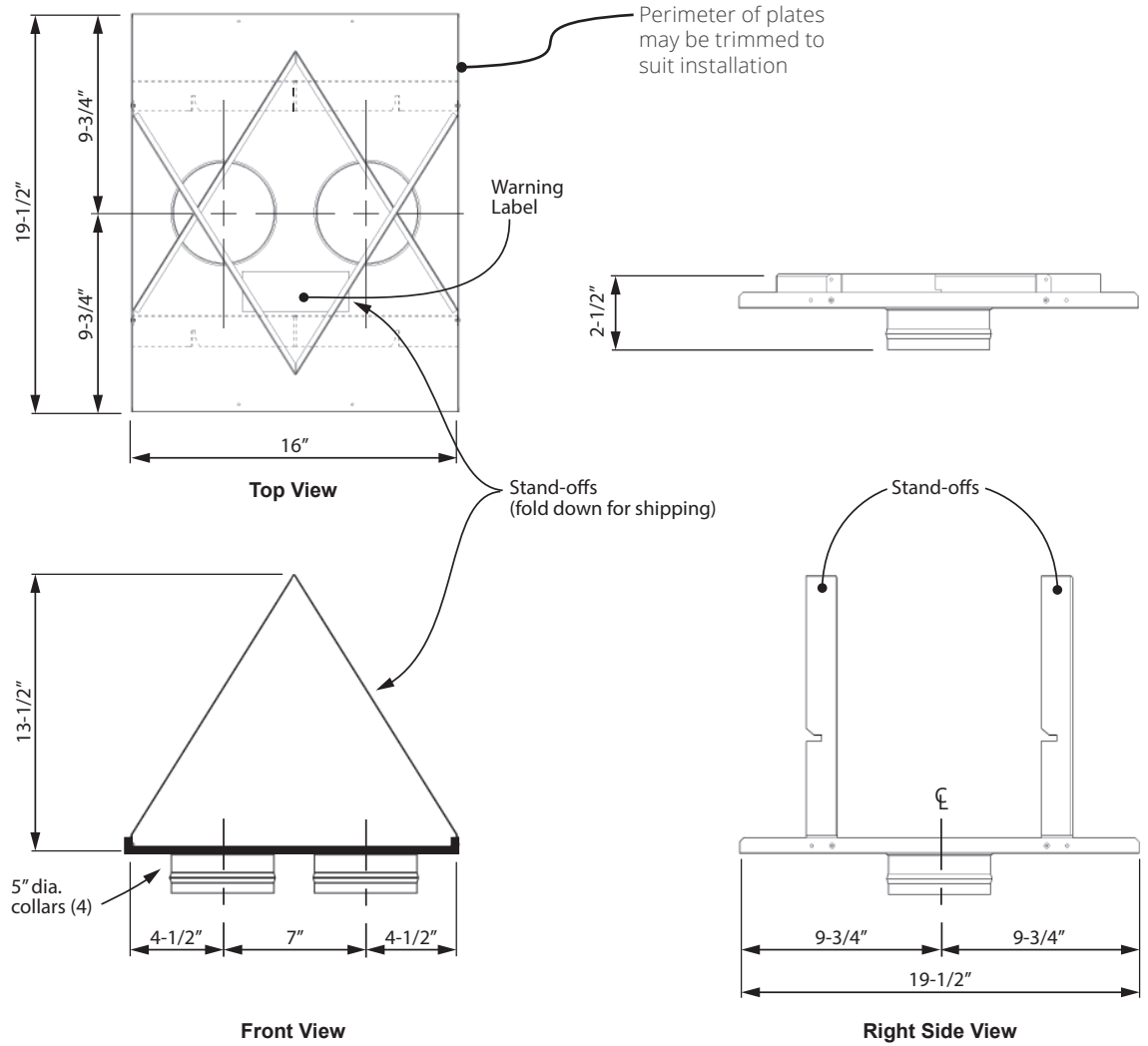
LDK 3



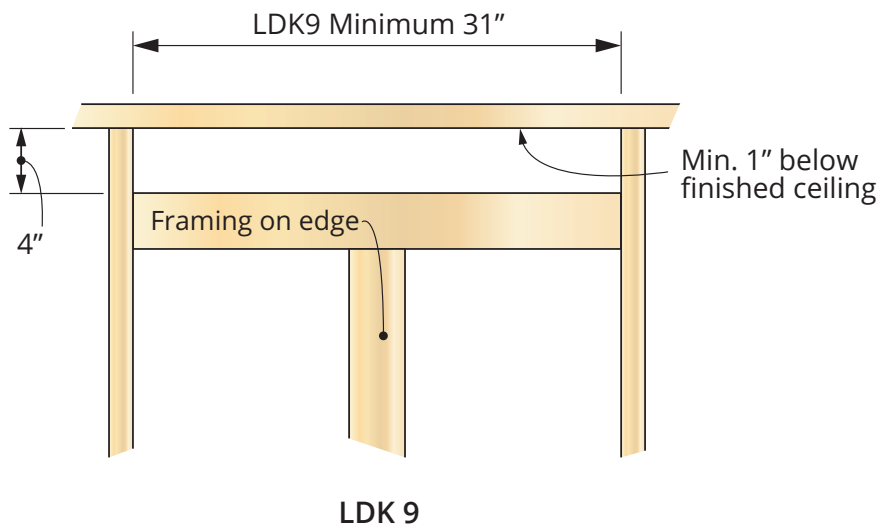
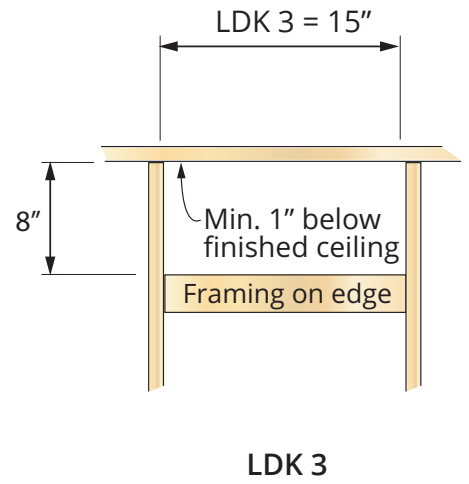
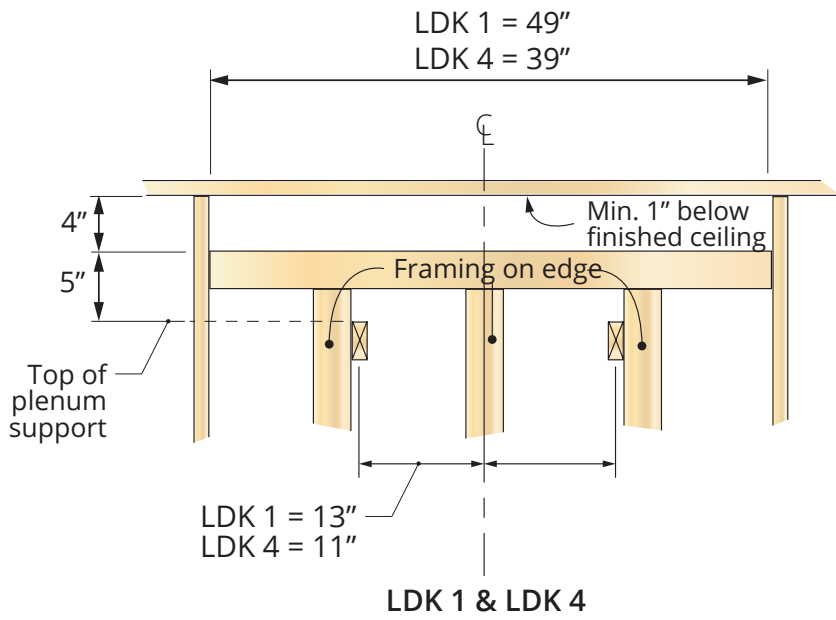
LDK 9



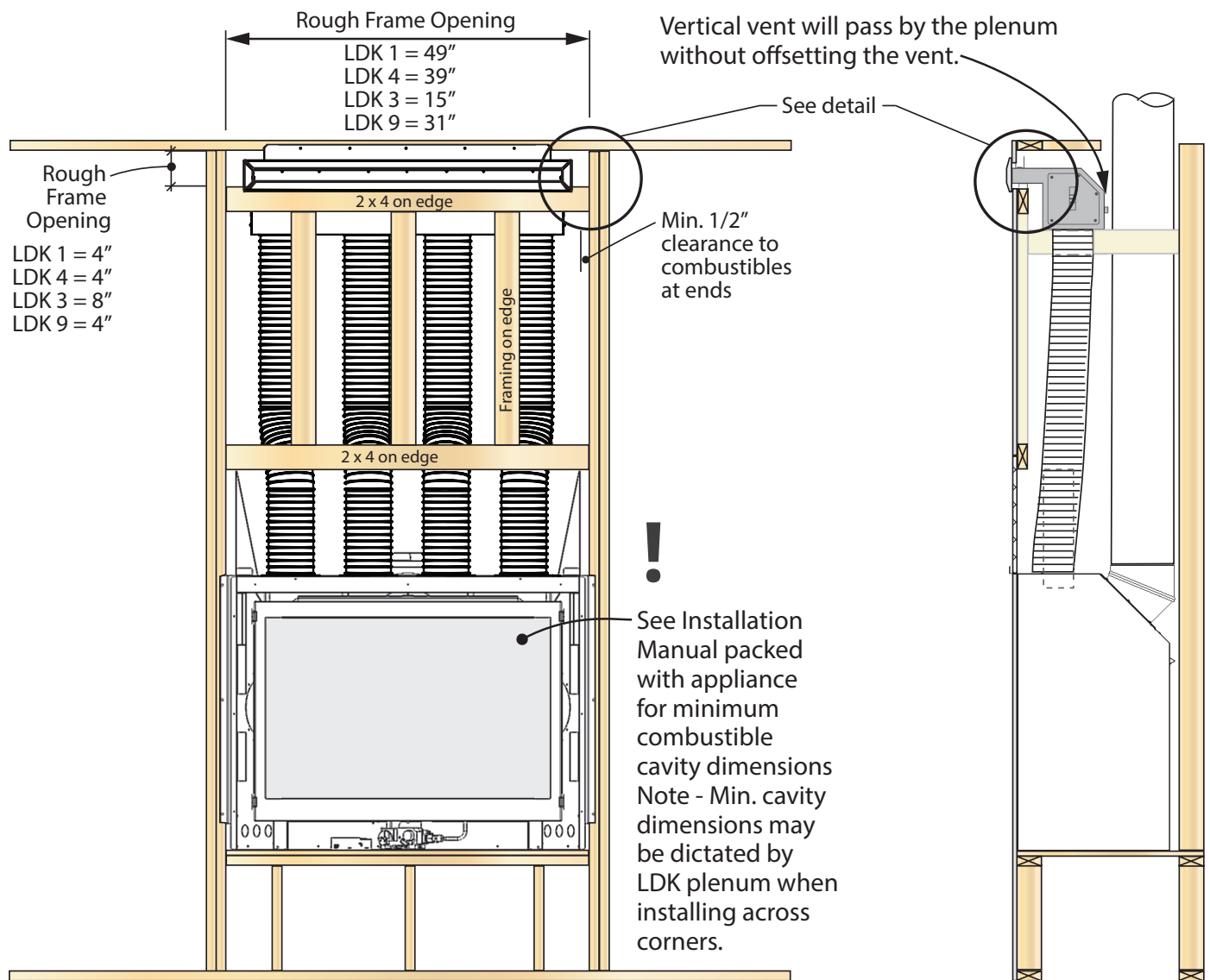
LDK7 Plates Dimensions



Rough Frame Openings

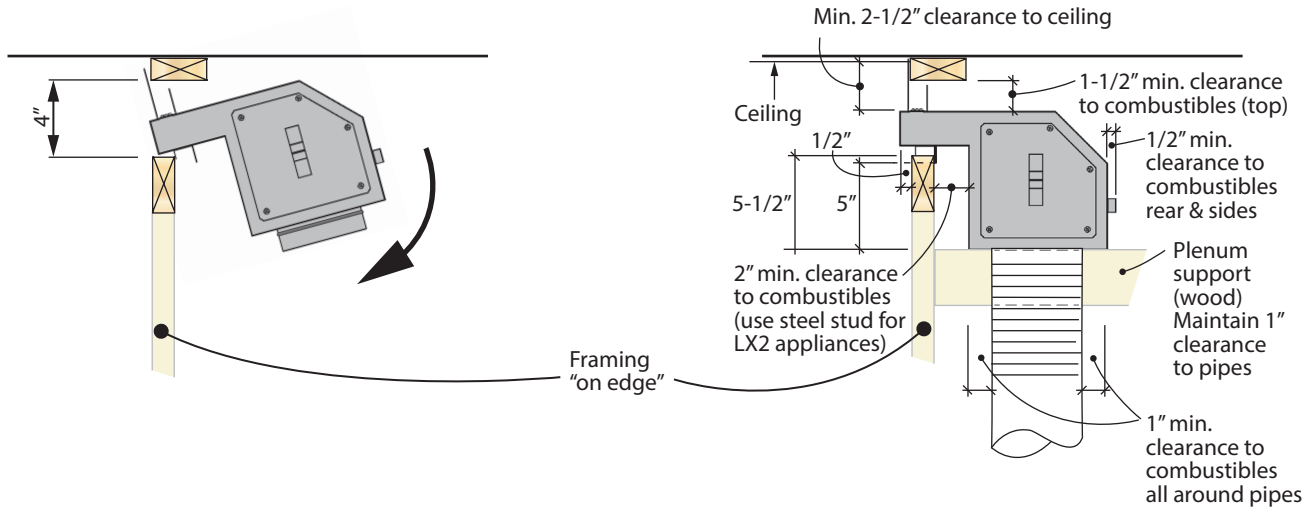


Framing and Clearances—Plenums, front view

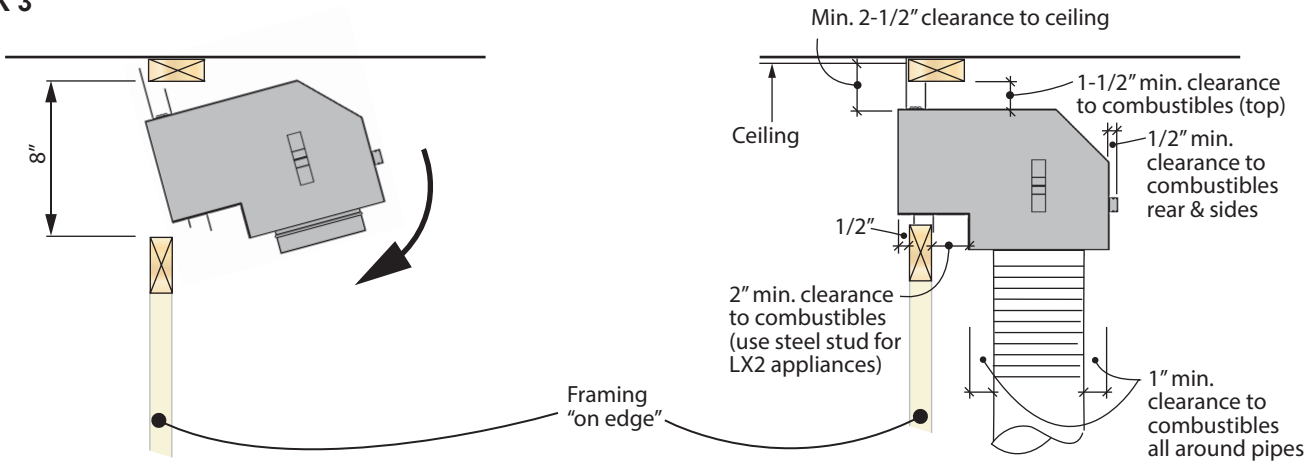


Framing and Clearances—Plenums, side view

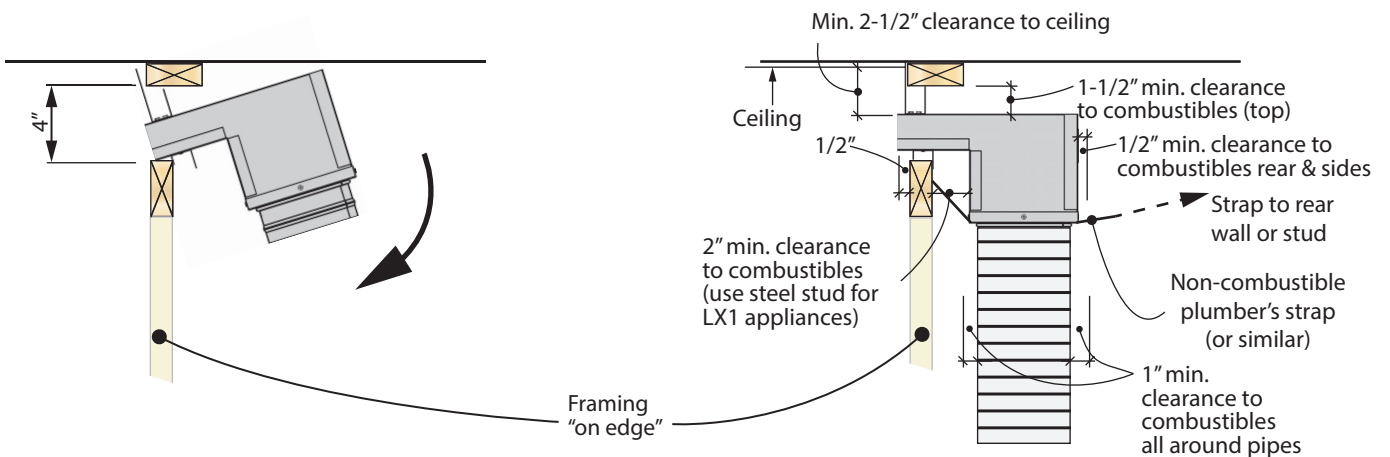
LDK 1 & 4



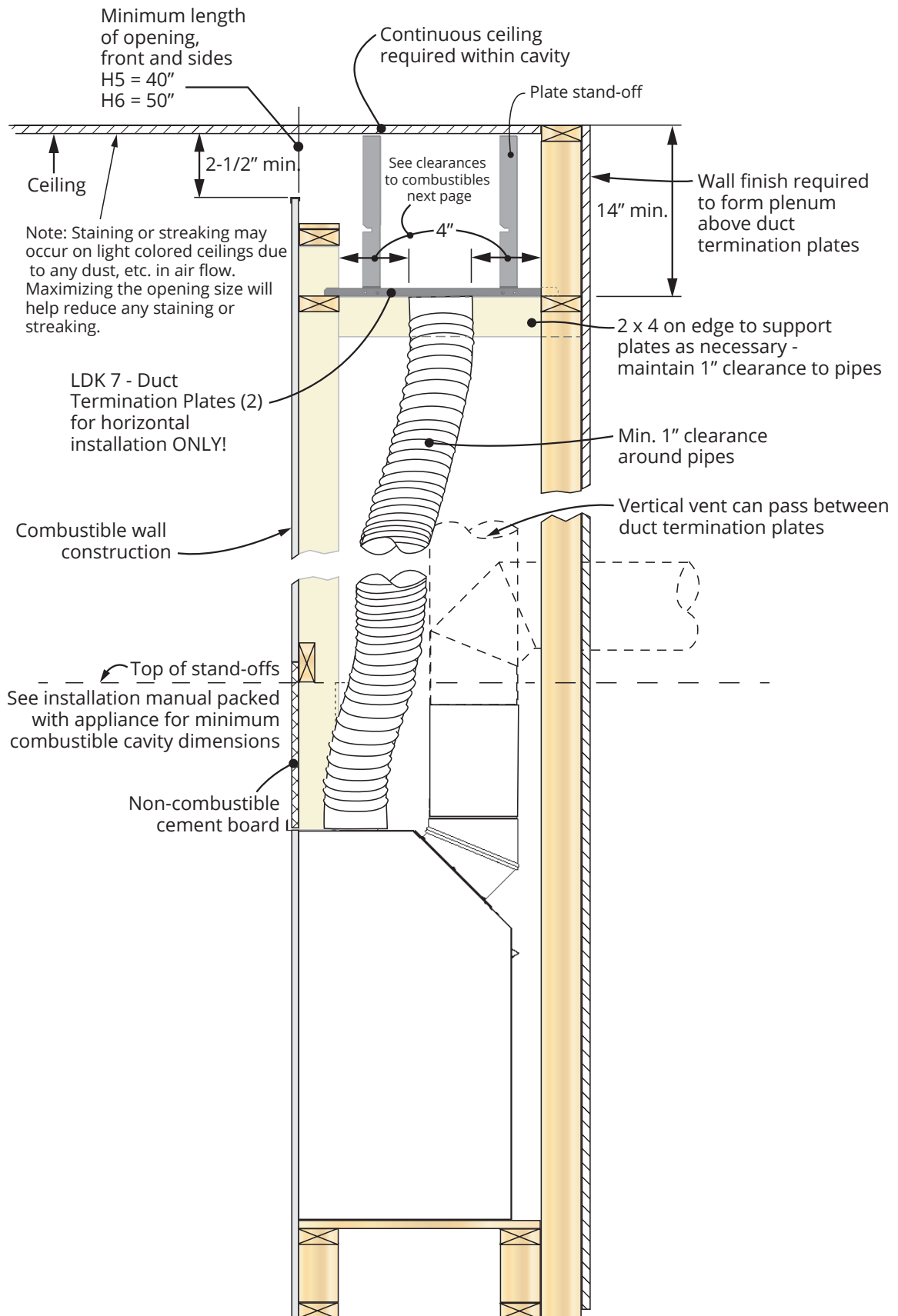
LDK 3



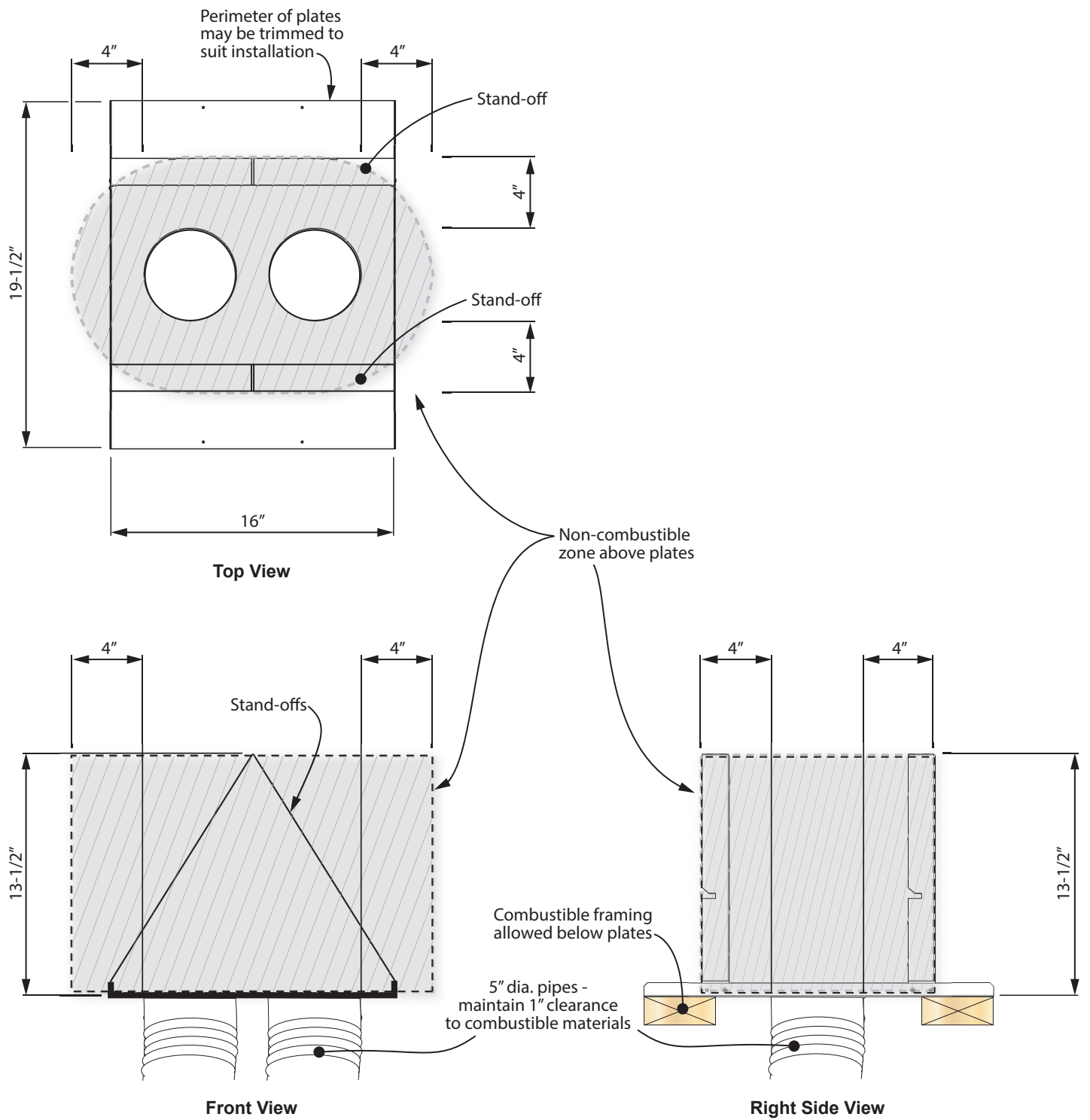
LDK9



Wall Valance Discharge Opening using LDK7—Duct Termination Plates

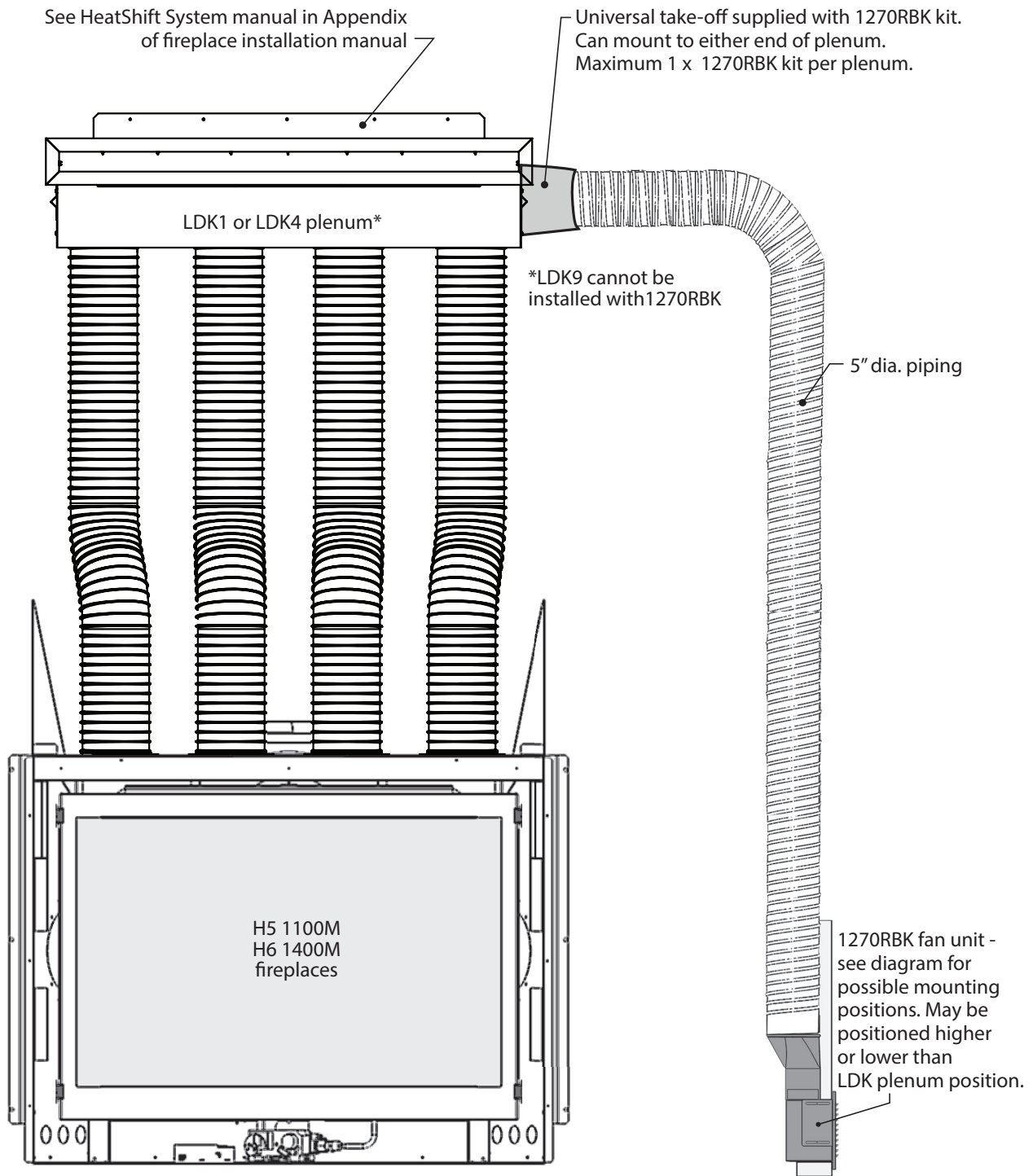


LDK7 Clearances to Combustibles



HeatShift Kit LDK 1, LDK 4 with optional 1270RBK Remote Blower Kit

(not approved with outdoor installations)



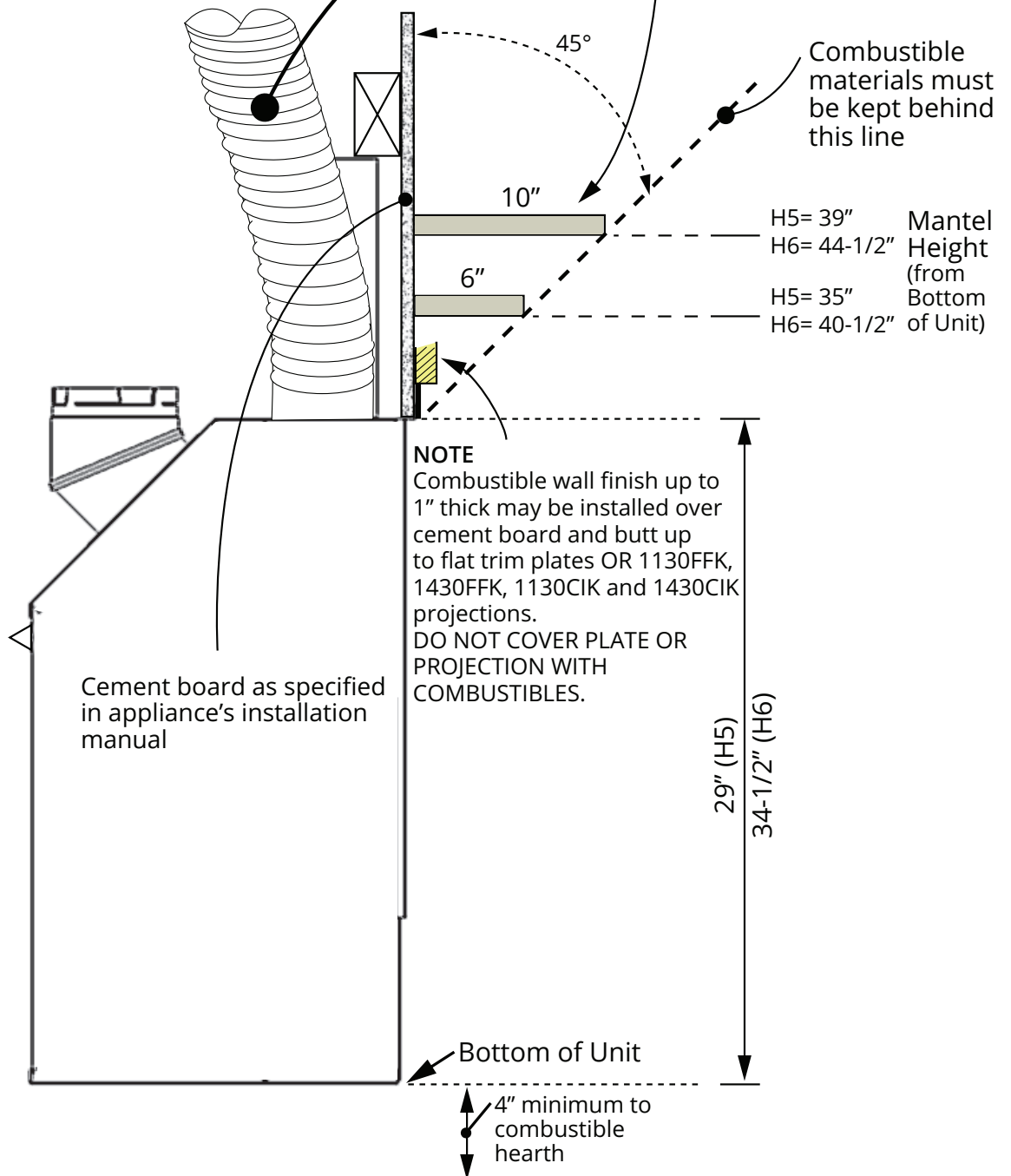
COMBUSTIBLE Mantel Clearances H5 and H6 appliances (when using HeatShift System ONLY)

Sidewall clearances remain as stated in this installation manual.

WARNING

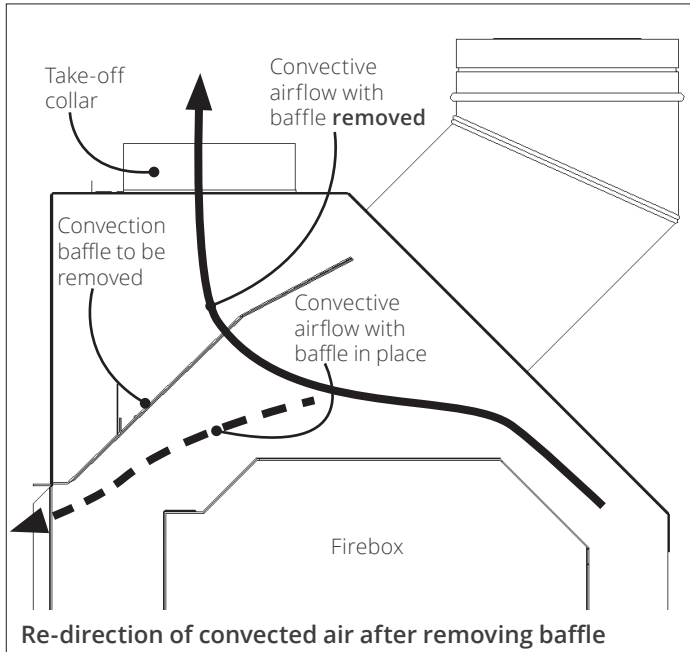
RISK OF OVERHEATING AND FIRE! Ensure HeatShift installation is complete AND internal convection baffle is removed (see HeatShift installation) when using these combustible mantel clearances.

NOTE
These Mantel Clearances apply ONLY when HeatShift system is installed

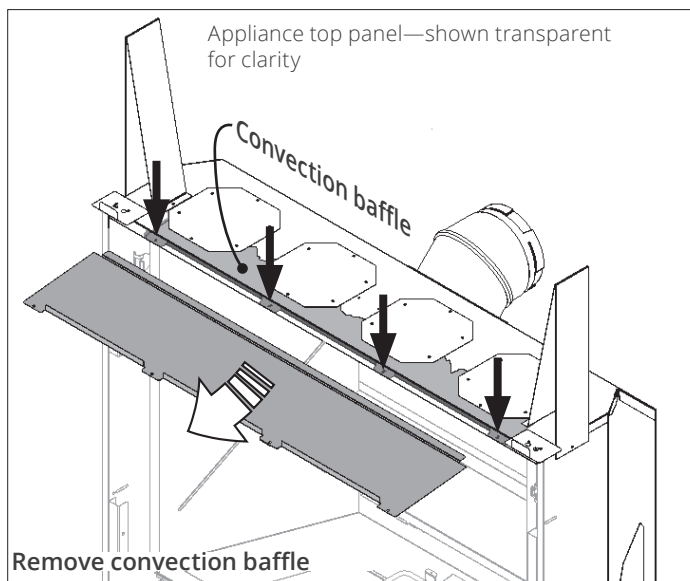


Remove Convection Baffle

To be effective the HeatShift Kits require that a convection baffle located above the firebox inside the appliance case be removed to allow the hot airflow to convect upwards into ducts installed on the fireplace.

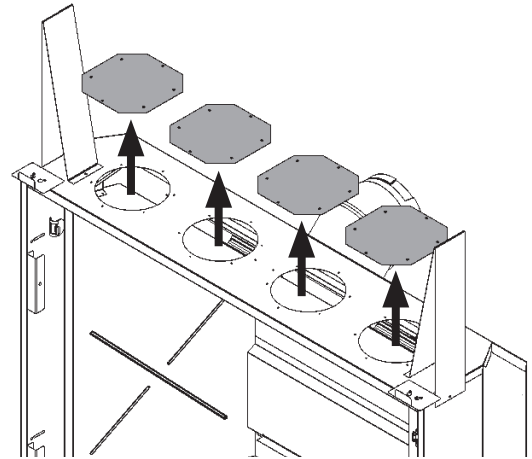


- Remove the convection baffle from the appliance. It is held in place by screws located right behind the upper edge of the fireplace opening (3 screws/baffle for 1100's, 4 for 1400's baffle). Recycle this panel as it is no longer needed.

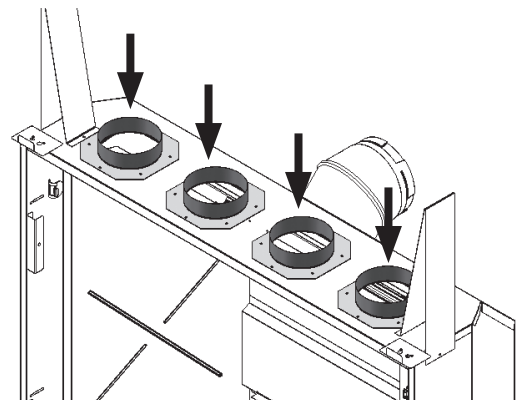


Install HeatShift collars

1. Remove the four cover plates on top of the appliance case (6 screws each).



2. Install the collars on the holes on top of the appliance's case (6 screws each).



WARNING

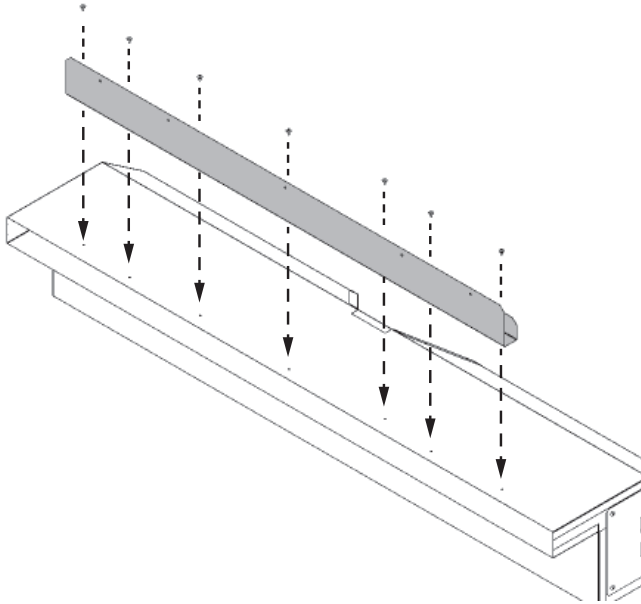
DO NOT INSTALL 1270RBK Remote Blower Kit to any of these 4 takeoffs.

WARNING

All FOUR (4) takeoffs MUST BE CONNECTED TO PLENUM(S).

Install Plenum Kits (LDK1, LDK3, LDK4 & LDK9) —see next page for LDK7 Duct Termination Plates

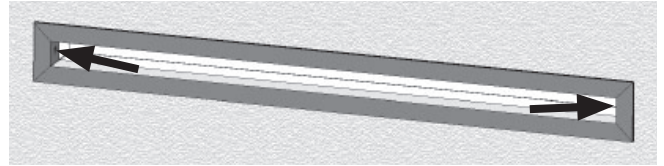
1. Frame a rough opening at the desired location—see earlier sections of this manual for allowable plenum positions and rough frame opening sizes.
2. Install top mounting bracket(s) to the plenum using screws provided (use the short sheet metal screws provided otherwise the screw tails (ends) will interfere with the finishing frame when installed).



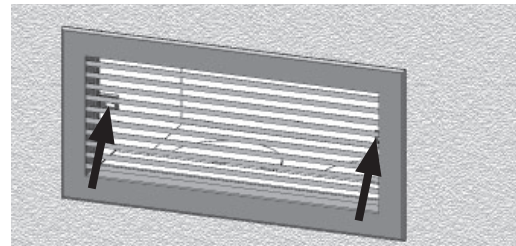
3. Install the plenum(s) into the rough frame opening maintaining minimum clearances to combustibles as listed—see page 10. Fix the plenum to the framing using nails or screws through the top mounting bracket. **Note that the mounting brackets are not intended to carry the weight of the plenum and pipes. Provide support to the underside of the plenum and ensure the plenum is level and its outlet is not distorted (see detail on page 11).** Use metal strapping (all-round, not supplied) as required to further secure the plenum to framing.
4. Attach one section of UL-181, Class 1 approved air duct to each of the collars and secure it with gear clamps provided. **DO NOT SPLICE DUCTS!**
5. Attach the top of the pipe sections to the plenum securing them with the gear clamps provided. An upward slope must be maintained in horizontal sections of pipes for proper convection. Use straps as necessary to maintain the pipes positions. Support horizontal sections every 24 inches.
6. Paint the inside surfaces of the plenum using high-temperature flat black spray paint for installations where the inside of the plenums may be visible.

Note: The flanges of the white finishing frame (when used) will insert approximately 1-1/4" into the plenum covering the shiny sheet metal.

7. Install the finishing frame or louver to the plenum after the wall finish is completed:
LDK1, LDK4, LDK9: Use the LDK2, LDK5 or LDK10 depending of the length of the plenum.



LDK3: Use the grilles provided with the kit.



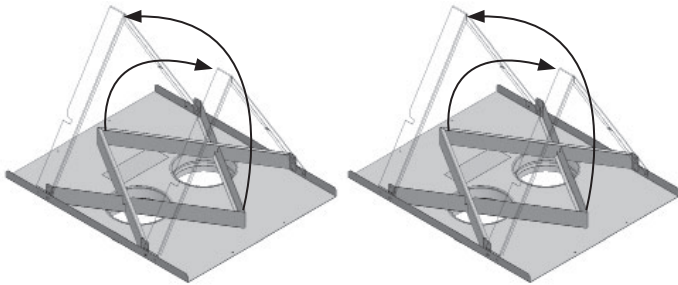
Note: The frame/louvers are finished white but may be painted another color if desired; use high temperature paint (250°F). You may also finish up to the perimeter of the plenum opening with your material of choice and not use the frame or louver. Do not finish over any of the opening in the plenum outlet.

8. Continue with the fireplace installation.

Install Duct Termination Plates (LKD7) —see previous page for LDK1, LDK3, LDK4 & LDK9 Plenum kits

1. Frame a rough opening and platform at the desired location—see earlier sections of this manual for allowable duct termination plates positions and rough frame opening sizes.
2. On each duct termination plate, rotate both stand-offs to the vertical position and secure in place using screws provided.

2 stand-offs per plate



3. Install the termination plates into the framing ensuring collars/pipes on underside of plates maintain 1 inch clearance to combustibles and clearance to combustible above the plates are maintained as listed on page 13.

The termination plates perimeter may be trimmed as necessary to accommodate framing. Secure the termination plate to framing using screws or nails to avoid movement.

4. Attach one section of UL-181, Class 1 approved air duct to each of the collars and secure it with gear clamps provided. **DO NOT SPLICE DUCTS!**
5. Attach the top of the pipe sections to the duct termination plates securing them with the gear clamps provided. An upward slope must be maintained in horizontal sections of pipes for proper convection. Use straps as necessary to maintain the pipes positions. Support horizontal sections every 24 inches.
6. Continue with the fireplace installation.

Repair Parts List

| | Description | Part no. |
|--------------|---|----------|
| LDK1 | 48" Quad Hot Air Plenum Kit | |
| | 48" x 2" quad plenum | 4005476 |
| | 5" take-off collars (4) | 4005478 |
| | Top mounting bracket/standoffs | 4007211 |
| | #8 slotted drive screws 1/4" (7) | 798601 |
| LDK2 | 48" Outlet Frame Kit for LDK1 | |
| | Aux Frame-SPL 48" x 2" white | 4005612 |
| LDK3 | 14" Double Hot Air Plenums Kit | |
| | 14" x 6" double plenums (2) | 4005464 |
| | 5" take-off collars (4) | 4005478 |
| | DABL-00-C-SPL 14" x 6" Grilles white (2) | 4005614 |
| | Top mounting bracket/standoffs (2) | 4005566 |
| | #8 slotted drive screws 1/4" (6) | 798601 |
| LDK4 | 38" Quad Hot Air Plenum Kit | |
| | 38" x 2" quad plenum | 4005477 |
| | 5" take-off collars (4) | 4005478 |
| | Top mounting bracket/standoffs | 4007213 |
| | #8 slotted drive screws 1/4" (7) | 798601 |
| LDK5 | 38" Outlet Frame Kit for LDK4 | |
| | Aux Frame-SPL 38" x 2" white | 4005613 |
| LDK6 | 5" Aluminum 2-ply Flex Kit | |
| | 5" dia 10' (uncompressed) aluminum chimney liners (2) | 4005635 |
| | 4.5" - 6.5" ss gear clamps (8) | 4005642 |
| LDK7 | Duct Termination Plates | |
| | Plate and collar assembly (2) | 4006747 |
| | 5" take-off collars (4) | 4005478 |
| | Screws 8 x 3/8 tap PN HD PH (12) | 100A757 |
| LDK9 | 30" Quad Hot Air Plenum Kit | |
| | 30" x 2" quad plenum | 4007903 |
| | 5" take-off collars (4) | 4005478 |
| | Top mounting bracket/standoff | 4007601 |
| | #8 slotted drive screws 1/4" (5) | 798601 |
| LDK10 | 30" Outlet Frame Kit for LDK9 | |
| | Aux Frame-SPL 30" x 2" white | 4007951 |

Each LDK kit is sold separately.